

MCRH Crane Scale



Features

Wireless Crane Scale

High capacities - 10, 15, 20t & 30t

MI104W wireless Indicator

400% safety overload

Sigma Delta Processor

Internal Resolution:400,000

22mm LCD Display

50m transmission distance

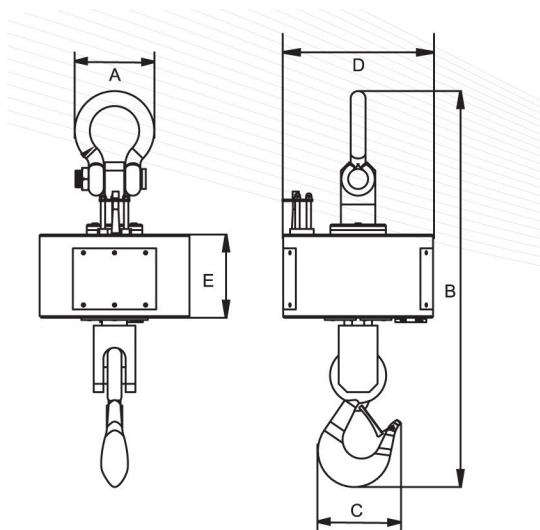
Rechargeable battery inside crane scale(6V4Ah)

Rechargeable battery inside MI104 (6V2mAh)

Steel casing

Upto 3000 divisions

Option: Handheld indicator (instead of MI104)



Dimensions (mm)

Capacity	A	B	C	D	E	Weight
10t*0.005t	190	870	180	290	170	58kg
15t*0.005t	190	950	210	320	198	78kg
20t*0.010t	225	960	270	320	190	80kg
30t*0.010t	254	1160	340	320	190	130kg