



DREAM CLOUD LOFT BED

A flexible bed for your growing child with space for a play zone, reading nook, extra bed or study. The Dream Cloud Loft Bed is a dream for flexibility and growing families.

With a streamlined visual footprint coupled with the strength of cross laminated timber, your children will love this bed for years to come. Independently tested and certified in accordance with AUS/NZ safety standards for your peace of mind.



DESIGNED
BY TOTEM



SUSTAINABLY
FORESTED



MADE IN
ITALY

SPECIFICATIONS



MATERIALS

Made from sustainably forested European birch and non-toxic finishes. Approved to Australian & New Zealand standards. Weight load 180kg. Protected with a durable low VOC water-based finish.

● Birch



SUSTAINABILITY

FSC Certified European birch plywood
Plyroom is a member of 1% for the Planet



CRAFT

Designed by Totem Italia
Made in Italy



WARRANTY

A 2 year warranty covers the structural integrity of Plyroom products.

WEIGHT + DIMENSIONS

Single

Assembled 65kg w 1090 x l 1980 x h 1815mm
Fits standard Australian single mattress

Packaged 65kg w 1100 x l 2000 x h 50mm
w 400 x l 2015 x h 90mm

King

Assembled 70kg w 1164 x l 2118 x h 1815mm
Fits standard Australian king single mattress

Packaged 70kg w 1200 x l 2130 x h 50mm
w 400 x l 2170 x h 90mm

ASSEMBLY

Assembly required. Instructions included.

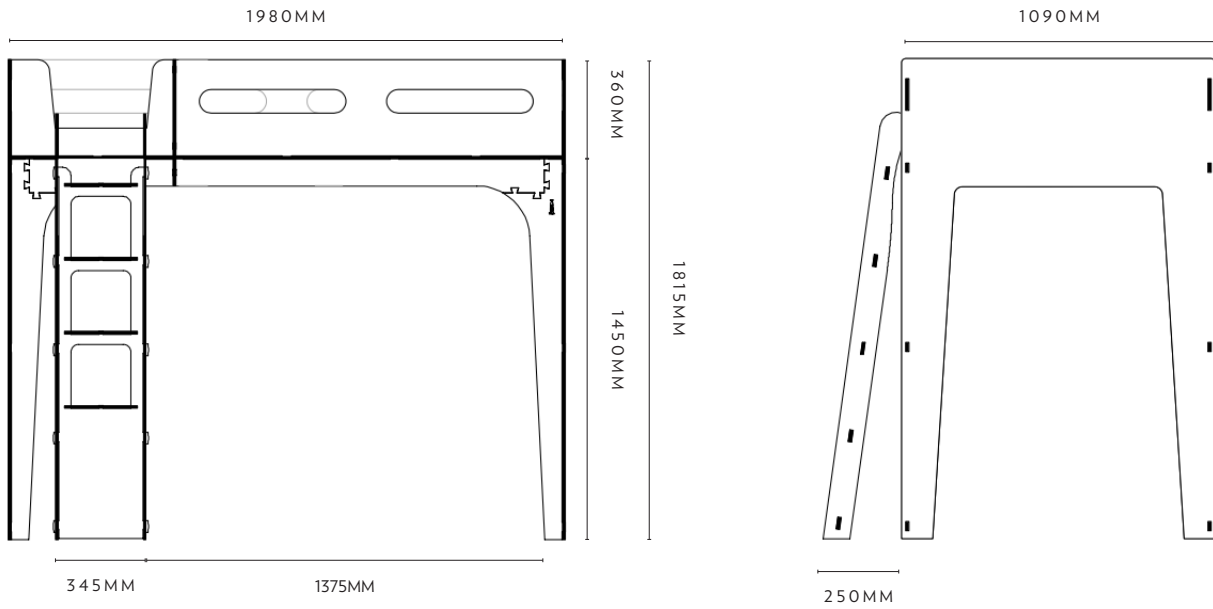
CARE

For general care we recommend regular dusting with a clean, dry cloth, or wiping down with soft cloth wrung dry from plain water (leaving the surface dry after cleaning). Common stains can be removed with a damp cloth and should be attended to as soon as possible.

Solvents or direct heat will cause significant damage to your timber furniture.

DIMENSIONS

DREAM CLOUD LOFT BED | SINGLE



DREAM CLOUD LOFT BED | KING SINGLE

