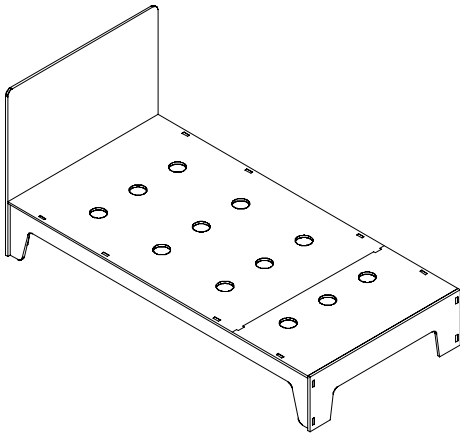




PLYROOM

# Singolo Single Bed

Thank you for choosing this product to be a part of your home. Each Plyroom piece is made for life from sustainably forested materials. Your choice is helping support environmental initiatives through our contribution of 1% of our sales revenue to 1% for the Planet.



## INTENTIONALLY SIMPLE & HONEST DESIGN

This product is designed with a modern interpretation of mortise and tenon joinery, the oldest and strongest form of joinery used by carpenters for thousands of years. The precise interlocking parts are displayed throughout, and the pieces fit together like a jigsaw, emphasising the characteristics of the natural materials used.

Each mortise and tenon joint is locked in place with a handmade oak dowel.

## MINIMAL PACKAGING

You might notice that your item is packaged simply. This is intentional to minimise waste as much as possible. The plastic wrapping used can be recycled at many recycling centres rather than going to landfill.

## ASSEMBLING YOUR FURNITURE

### → Do

We ask that you take your time in assembling this piece of furniture. All pieces are designed to lock together with precision.

Use a mallet to press mortise and tenon joints together so they are flush. If you don't have a mallet a hammer covered with a soft towel is fine.

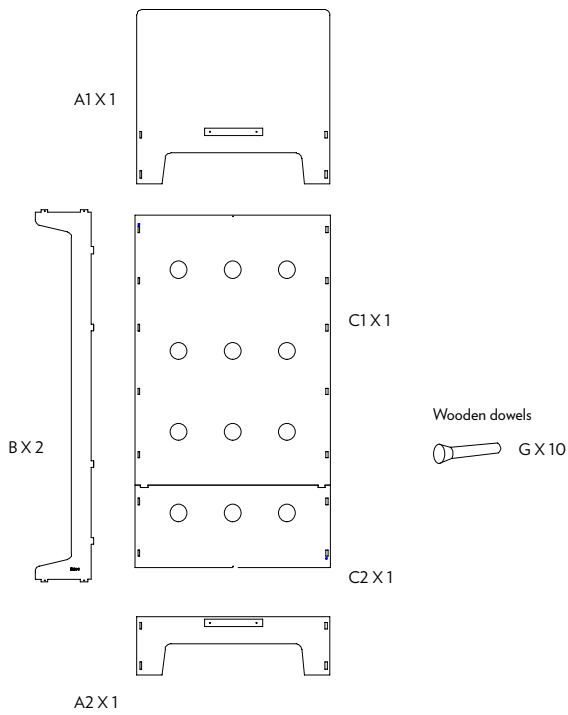
Check all joints are flush before inserting the oak dowels.

Use a hammer to tap dowels in and fasten pieces together. Make sure the dowel is straight before you hammer.

### → Don't

Use a mallet on the timber dowels as the soft head of the mallet will cause them to snap.

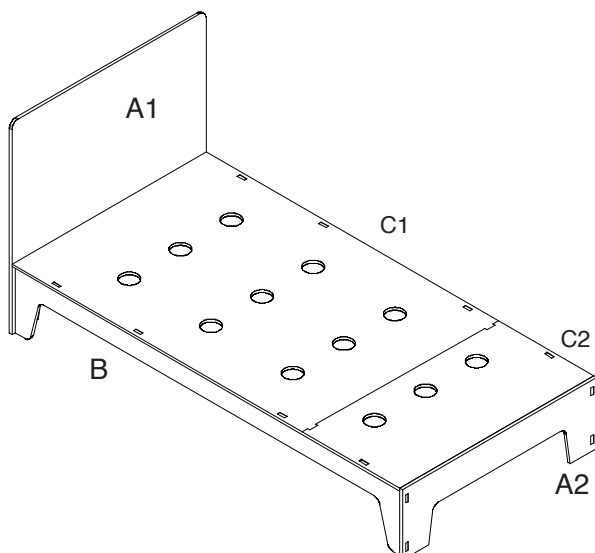
## PARTS



There will be 2 spare dowels in your box to keep as spares.

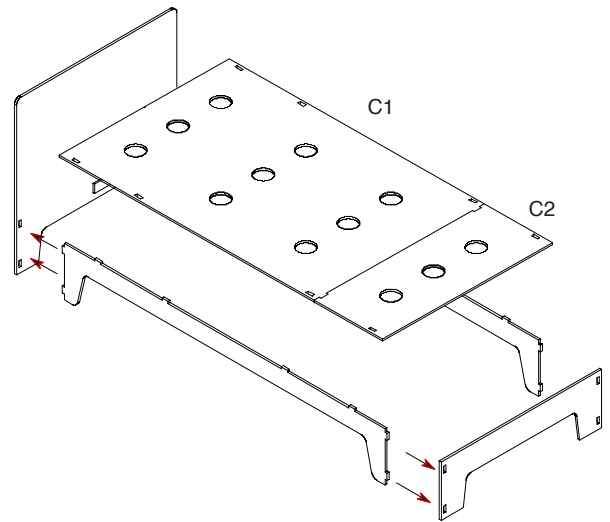
Lower part C1 and C2 onto the bed base structure, taking care that both are firmly locked on the base by fitting every corresponding node from the B parts into the openings on the C parts.

As these products are precision cut, you might need to use a hammer with a piece of wood over the top (to protect your product surface) or a soft mallet to ensure pieces are completely united.



## ASSEMBLY INSTRUCTIONS

Insert the nodes of the two B parts into the corresponding openings on part A1. Lock in place using the wooden openings on part A1. Lock in place using the wooden dowels marked G, Repeat this process with A2.



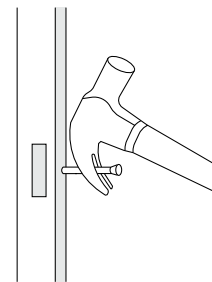
## PRODUCT CARE

For general care we recommend dusting with a clean, dry cloth, or wiping down with soft cloth wrung dry from plain water (leaving the surface dry after cleaning). Avoid detergents or solvents of any type.

## IMPORTANT!

→ *Disassembling your frame*

This piece is designed to be disassembled when required. Please note that when disassembling, a hammer must be used to remove the dowels. ALWAYS hold the hammer in line with the grain of the timber panel it fastens and use the prongs of the hammer to lever the dowel out slowly. If this step is not followed it will result in breakage of the dowel.



Once the timber dowel is removed the mortise and tenon pieces will come apart with some gentle tapping with a mallet.