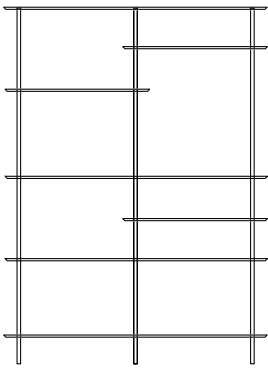




PLYROOM

Shibui Tall Bookshelf

With a narrower profile than its predecessors, the Shibui Tall Bookcase is more compact and can easily fit into small home offices or tight living spaces. Its versatile design means the piece is as appropriate for a home office as it is a living room or bedroom.



THANK YOU

Thank you for choosing Plyroom's Shibui Tall Bookshelf for your home or workspace. Here are some instructions that we hope will make the installation process simpler.

FOR ASSEMBLY YOU WILL NEED

Long Dowels x 6



Mid Shelves x 4



Small Shelves x 3



Brass Pins x 36



Screws x 36



Oak plugs x 18



Hex key x 1



1% FOR THE PLANET MEMBER

Plyroom is a member of 1% for the Planet, meaning 1% of our gross revenue is directed to environmental non-profit organisations. We hope that wherever you position your Shibui Tall Bookshelf, that it serves as a reminder for this important cause and your contribution to this planet by choosing Plyroom. Thank you.

Learn more at plyroom.com.au/sustainability



CARE INSTRUCTIONS

For general care we recommend dusting with a clean, dry cloth, or wiping down with soft cloth wrung dry from plain water (leaving the surface dry after cleaning).

Solvents like nail polish remover can cause significant damage to your timber furniture. Do not use these products with timber as direct contact will require re-varnishing to repair. Another common enemy of timber is direct heat, for example, placing a saucepan on a timber table. This can burn or melt the finish.

Common stains like red wine, glue and sticky fingers can be removed with a damp cloth and should be attended to as quickly as possible to avoid the stain seeping in to the timber. Regular dusting will enhance the look and longevity of your item.

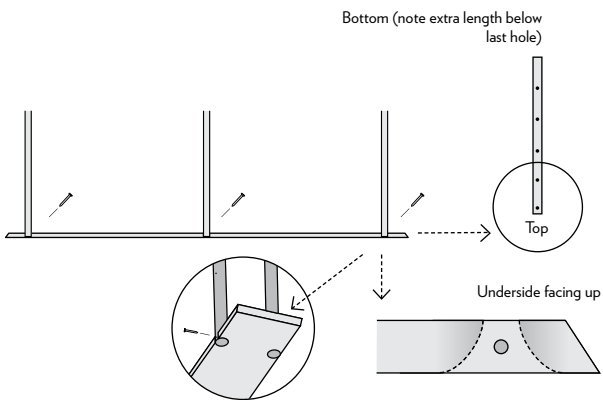
Share your space with us #plyroom

@plyroom
www.plyroom.com.au

01

Find a soft floor surface such as a rug or carpet. Rest one of the large shelves flat on the floor with the underside facing up. Insert the 8 long oak dowels into the circular openings on the underside of the floor so all the tops (see diagram) are facing up. Insert a screw into each opening and fasten with the Hex key provided until they are firmly in place.

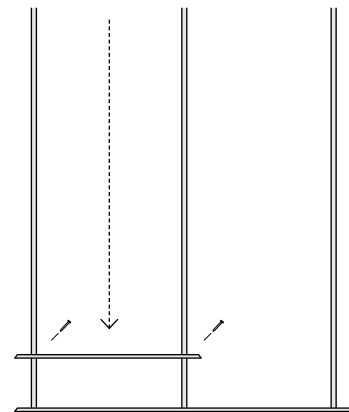
When fastening the screws for the top of the Shibui please do not over fasten as this can damage the oak dowels. Tighten the screws until the shelving feels secure and steady.



02

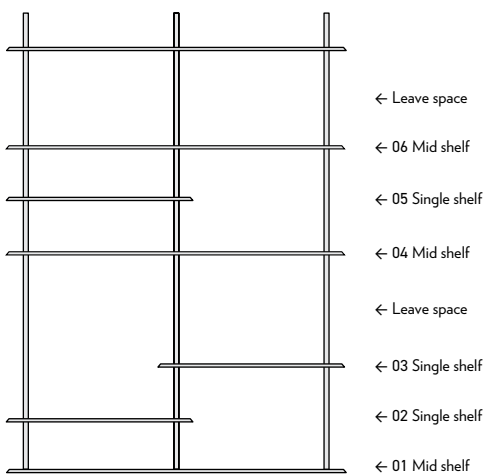
Whilst the structure is resting on the floor slide the first single shelf onto the leg dowels and rest at the second opening in the leg dowels. Middle holes line up with the opening in the single shelf. Insert a screw into each opening and fasten with the Hex key provided until they are firmly in place. Repeat for the second single shelf.

Note: This shelving is precision cut. When sliding onto the next shelf, place shelf legs at even heights at all time and always apply even pressure when threading onto legs.



03

Repeat the above process with all other shelves (including securing with screws) as per diagram and in this order until each shelf is in place.



04

Carefully turn the structure over. The brass pins can be pushed into place in the openings where each shelf meets with the oak supports. The remaining open elements on the oak supports can be inserted with the small oak plugs provided.

