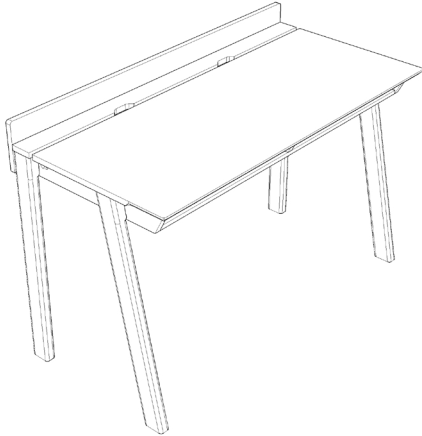




PLYROOM

# Scrivette

A minimal workstation designed by Plyroom. The generous size of this desk makes it perfect for offices and homework alike.



## THANK YOU

Thank you for choosing Plyroom's Scrivette Desk. Here are some instructions that we hope will make the installation process simpler.

---

## 1% FOR THE PLANET MEMBER

Plyroom is a member of 1% for the Planet, meaning 1% of our gross revenue is directed to environmental non-profit organisations. We hope that wherever you position your Scrivette, that it serves as a reminder for this important cause and your contribution to this planet by choosing Plyroom.  
Thank you.

Learn more at [plyroom.com.au/sustainability](https://plyroom.com.au/sustainability)



## CARE INSTRUCTIONS

For general care we recommend dusting with a clean, dry cloth, or wiping down with soft cloth wrung dry from plain water (leaving the surface dry after cleaning).

Solvents like nail polish remover can cause significant damage to your timber furniture. Do not use these products with timber as direct contact will require re-varnishing to repair. Another common enemy of timber is direct heat, for example, placing a saucepan on a timber table. This can burn or melt the finish.

Common stains like red wine, glue and sticky fingers can be removed with a damp cloth and should be attended to as quickly as possible to avoid the stain seeping in to the timber. Regular dusting will enhance the look and longevity of your item.

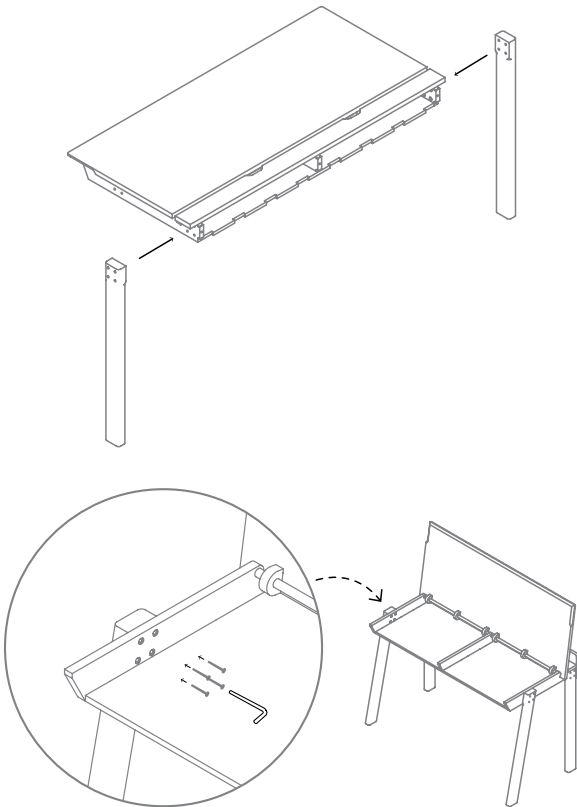
---

Share your space with us #plyroom

@plyroom  
[www.plyroom.com.au](https://www.plyroom.com.au)

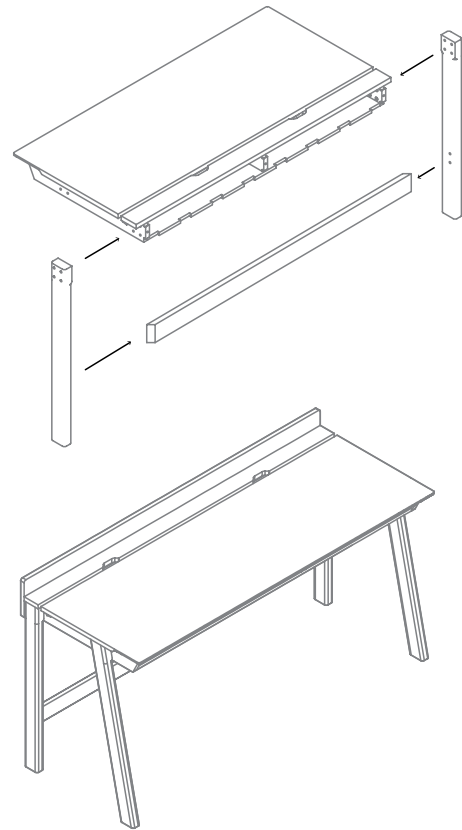
## 01

Fasten back legs to desk body with four screws per leg on the inside cavity of desk body.



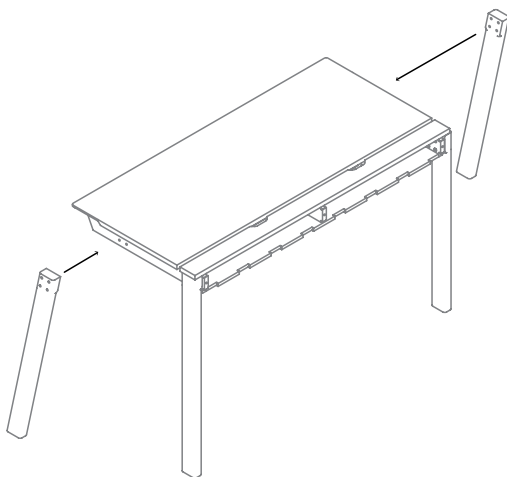
## \*Additional step (for 1500mm)

For the 1500mm Scrivette, insert the back cross brace into the two back legs before fastening screws.



## 02

Repeat for front legs



## 03

Slot in back panel and fasten with five screws

