



US PeaceKeeper
 15165 Sierra Bonita Lane
 Chino, CA 91710
 909.606.8836
 909.606.8838 (fax)
 www.uspeacekeeper.com

TECHNICAL SPECIFICATIONS

SUBURBAN SIDEKICK PACK

P27105 & P27106

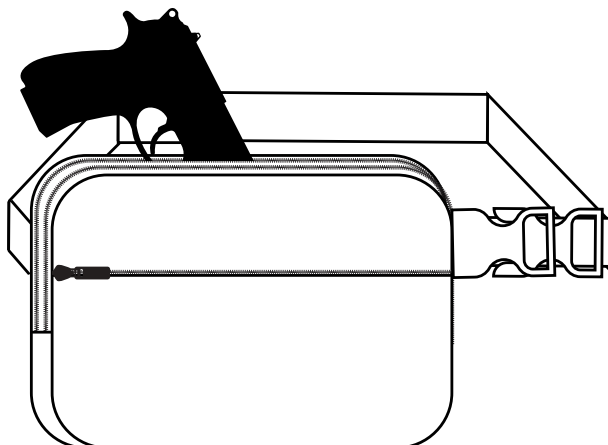
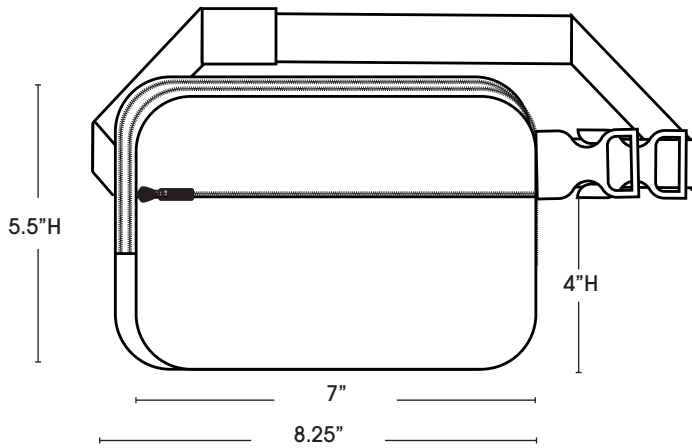


Description

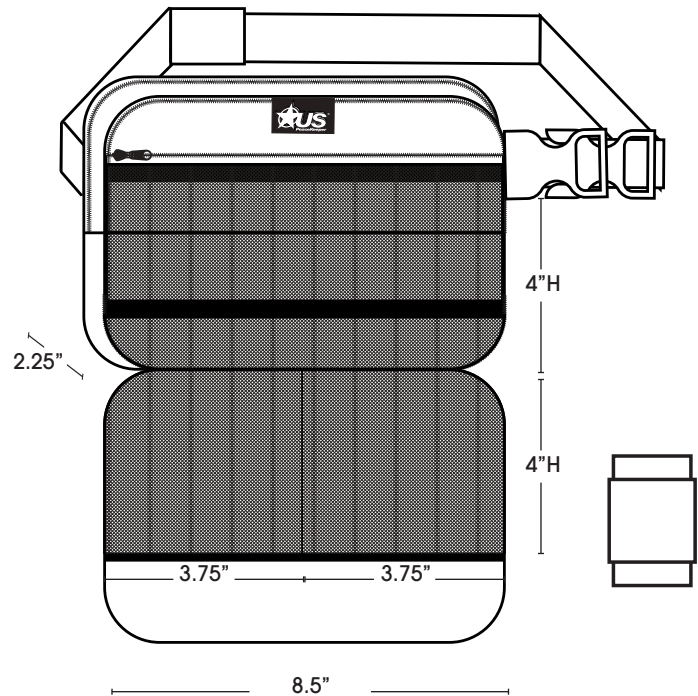
- Constructed of RPET Polyester, water repellent fabric
- Crossbody bag or fanny pack
- Adjustable strap, 50" strap when fully extended
- Front, quick-access zippered pocket (7" x 4")
- Two main zippered compartments:
- Front main compartment: Two netted pockets (3.75" x 4") and zippered netted pocket (8.5" x 4")
- Rear main compartment: Designed with hook and loop strap and holster to carry micro handgun
- *WARNING: No other contents should be carried in rear pocket when carrying handgun

SUBURBAN SIDEKICK PACK

Product size: 8.25" L X 5.5" H X 2.25" D
 Available in Black (P27105) and
 Smoky Green Grey (P27106)



Rear Main Compartment



Front Main Compartment
 *Shown completely open to show pockets. Pack does not open flat.