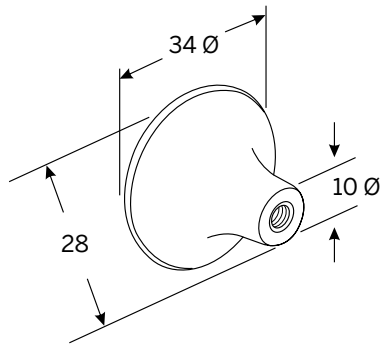
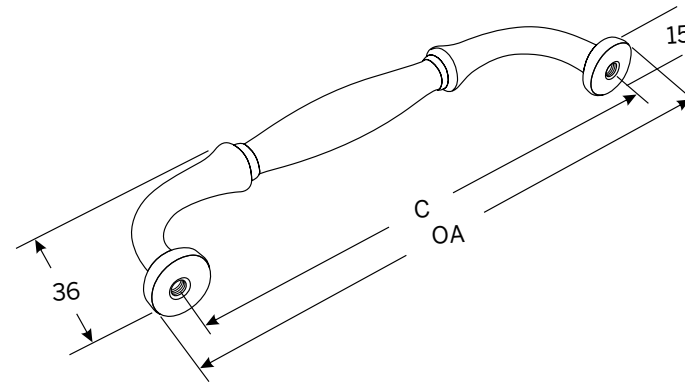


# Winchester Handle Range



Knob  
Part no. KB3983.34



D Handle

Part no.	C mm	OA mm
HN3984.128	128	143
HN3984.160	160	175

C = Hole centre measurement  
OA = Overall size