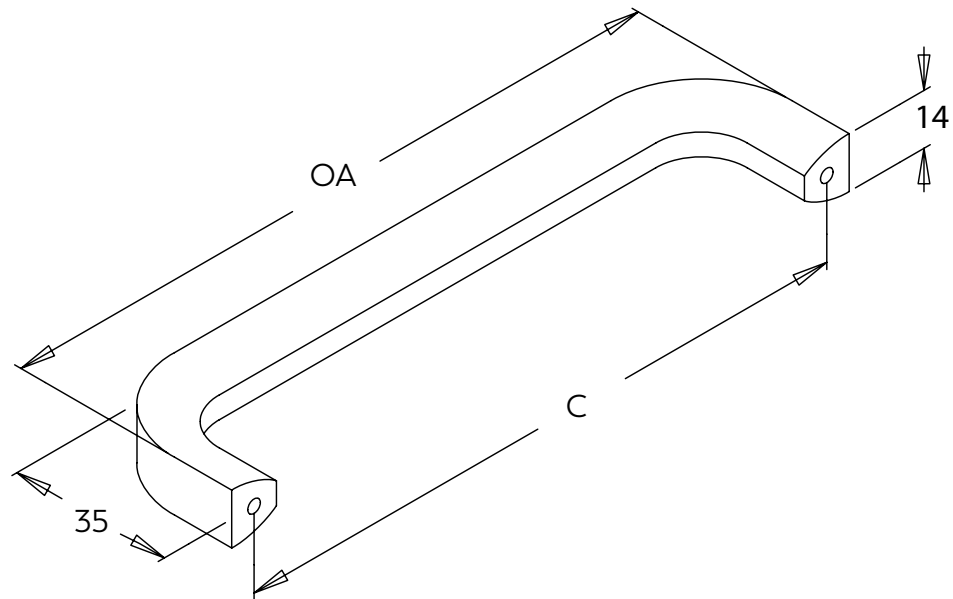


Trento D Handle Range



Part no.	C mm	OA mm
K230.160	160	172
K230.224	224	236
K230.352	352	364
K230.480	480	492

C = Hole centre measurement
OA = Overall size