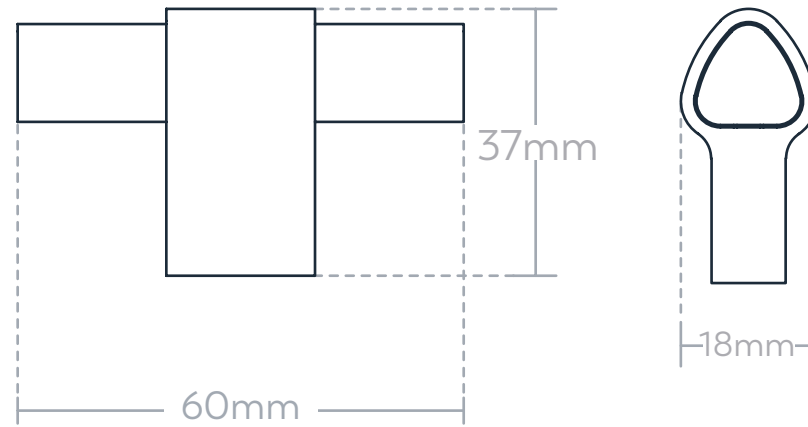
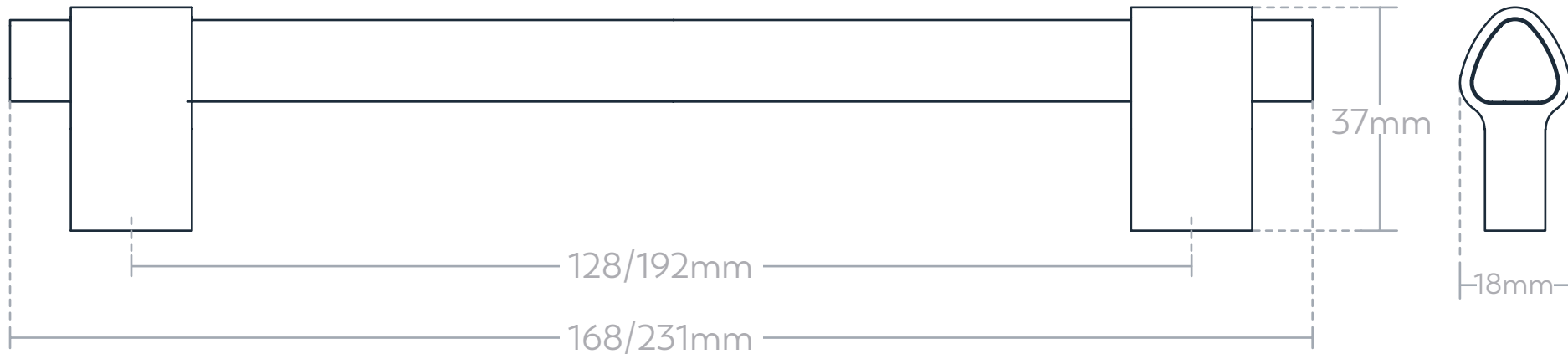


# Casper Handles



T Knob - CAS060



Bar Handle - CAS128 (128mm), CAS192 (192mm)

Part Number	Hole Centre (C)	Overall Length (L)	Width (W)	Projection (P)
CAS192	192	231	18	37
CAS128	128	168	18	37
CAS060		60	18	37