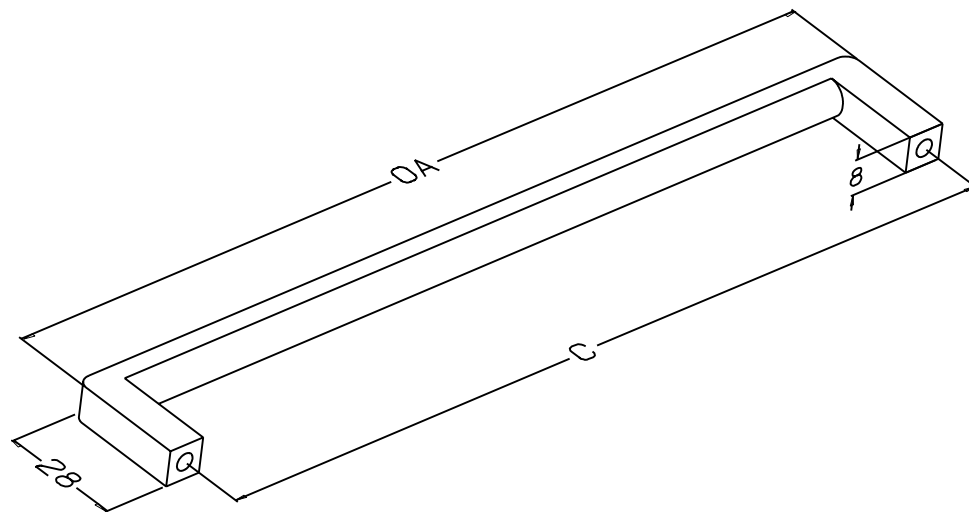


Milano D Handle Range

momo
handles



Part no.	C mm	OA mm
M1295.128	128	136
M1295.160	160	168
M1295.192	192	200
M1295.320	320	328

C = Hole centre measurement
OA = Overall size