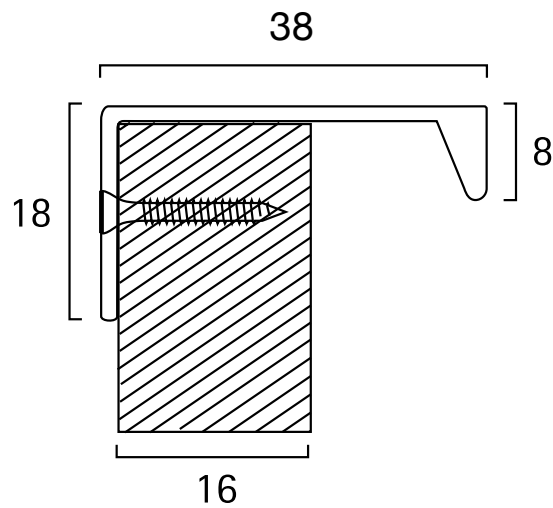


Massa Lip Pull Handle Range



Part no.	C mm	OA mm
G6113.38.30	20	30
G6113.38.84	64	84
G6113.38.116	96	116
G6113.38.3M	-	3000

C = Hole centre measurement
OA = Overall size