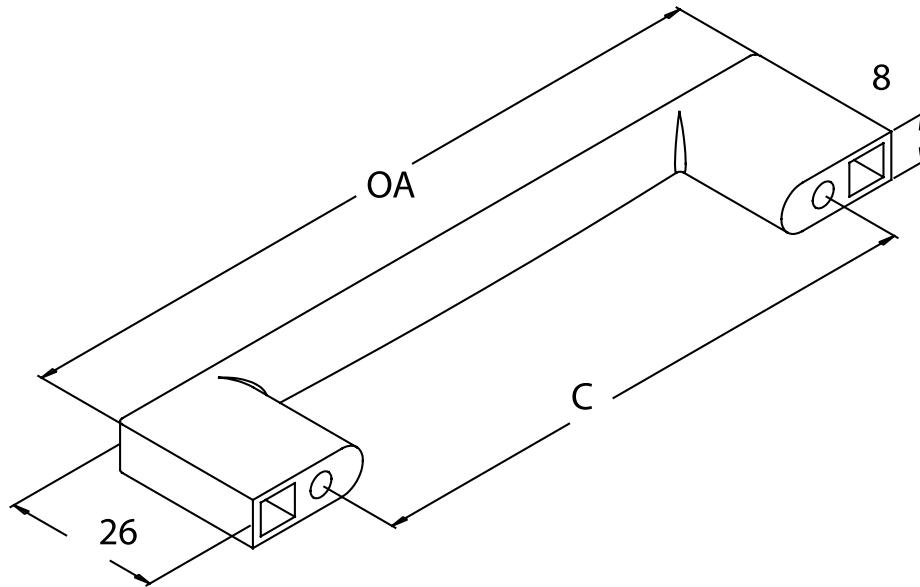


Livorno D Handle Range



Part no.	C mm	OA mm
M3163.96	96	120
M3163.128	128	160
M3163.160	160	192
M3163.192	192	224
M3163.256	256	288
M3163.320	320	352

C = Hole centre measurement
OA = Overall size