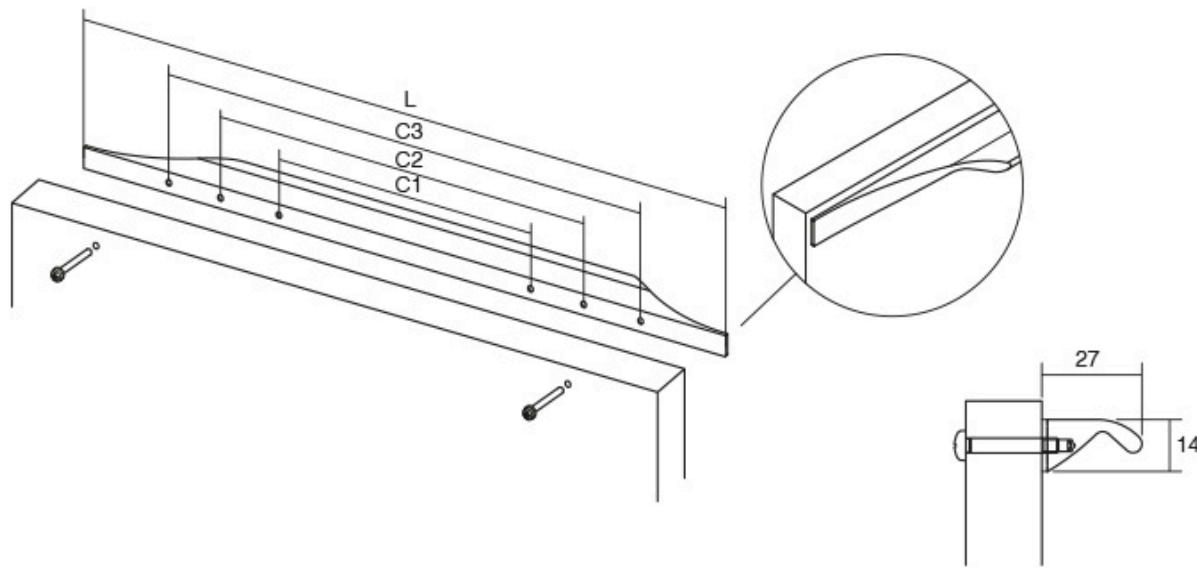


Brikk Pull Handle Range



Part no.	C1 mm	C2 mm	C3 mm	L mm
B0334.032	32	-	-	140
B0334.160	160	-	-	290
B0334.192	192	-	-	340

C = Hole centre measurement
OA = Overall size