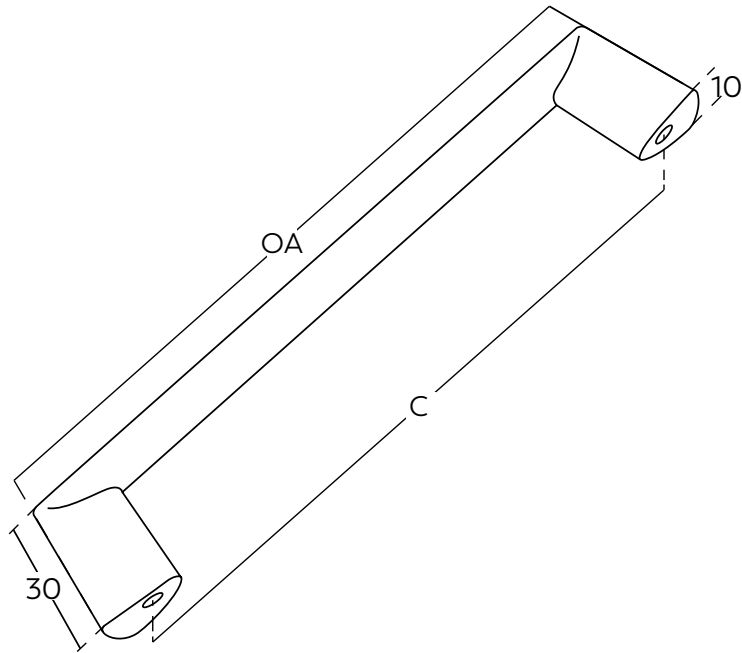


# Barra D Handle Range



Part no.	C mm	OA mm
BRDH128.DBR	128	148
BRDH288.DBR	288	301

C = Hole center measurement  
OA = Overall size