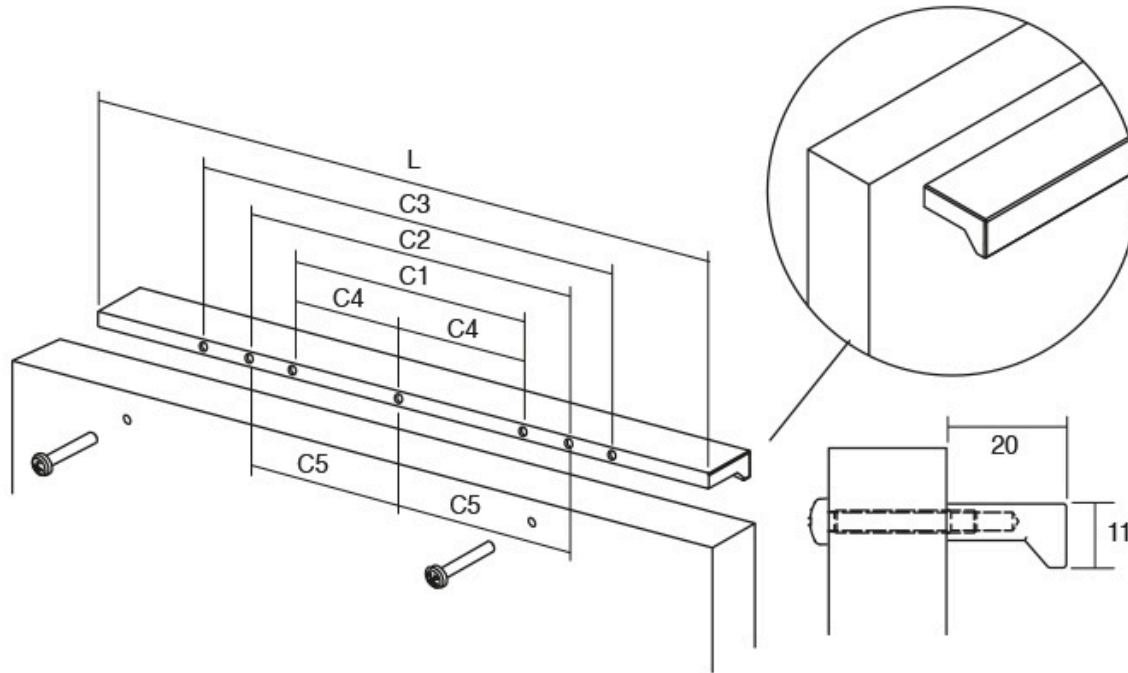


Angle Pull Handle Range



Part no.	C1 mm	C2 mm	C3 mm	C4 mm	C5 mm	L mm
A0077.64	64	-	-	-	-	100
A0077.128	128	160	-	-	-	200
A0077.192	192	-	-	-	-	300
A0077.480	480	-	-	-	-	600
A0077.640	640	-	-	320	-	900

C = Hole centre measurement
OA = Overall size