



# WINDSOR CURVED BENCH ASSEMBLY INSTRUCTIONS



Parts Supplied	Tools Required
a) 1 X Seat Section b) 3 X Leg Sections c) 12 X 70mm Stainless steel screws	<ul style="list-style-type: none"><li>• Power Drill with Philips screwdriver bit</li><li>• Measuring tape</li><li>• Straight Edge</li></ul>

**PLEASE READ THESE INSTRUCTIONS CAREFULLY AND FOLLOW THE ASSEMBLY DRAWINGS. WE WILL NOT ACCEPT ANY CLAIMS IF THIS PRODUCT IS WRONGLY ASSEMBLED.**

Fig 1

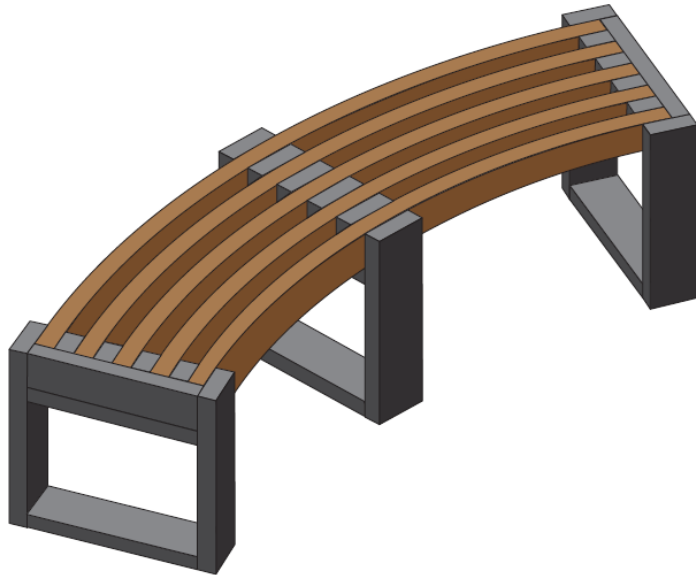
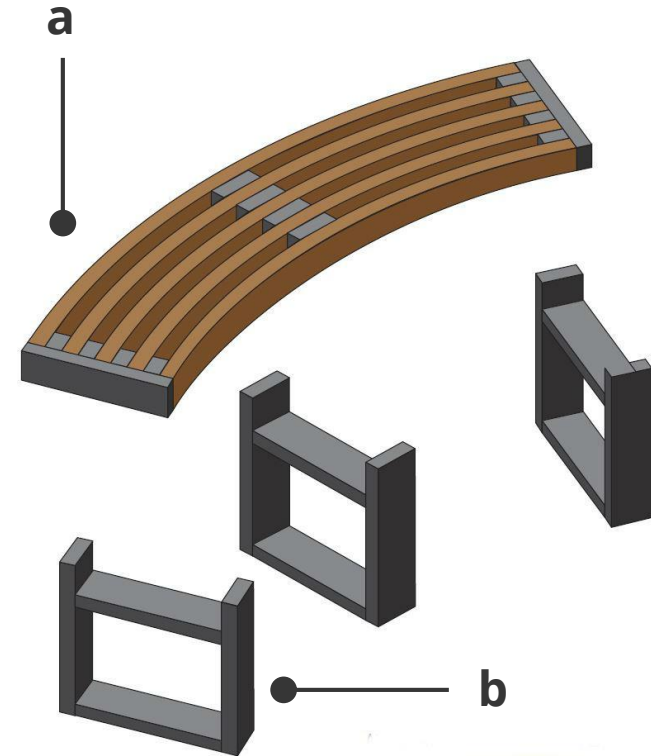


Fig 2





# WINDSOR CURVED BENCH ASSEMBLY INSTRUCTIONS



## METHOD

1. Lay Seat Section **(a)** on a flat surface 'Top' down (see label on item) **(fig. 3)**
2. Place Leg sections **(b)** square and flush with both left and right hand sides of seat section
3. Fix each Leg section **(b)** with 4 x 70mm screws as shown in **(fig. 4)**
4. Line up Centre Leg with centre ties of the seat section, ensure it is flush and square. Fix with 4 x 70mm screws **(fig. 4)**

**PLEASE READ THESE INSTRUCTIONS CAREFULLY AND FOLLOW THE ASSEMBLY DRAWINGS. WE WILL NOT ACCEPT ANY CLAIMS IF THIS PRODUCT IS WRONGLY ASSEMBLED.**

Fig 3

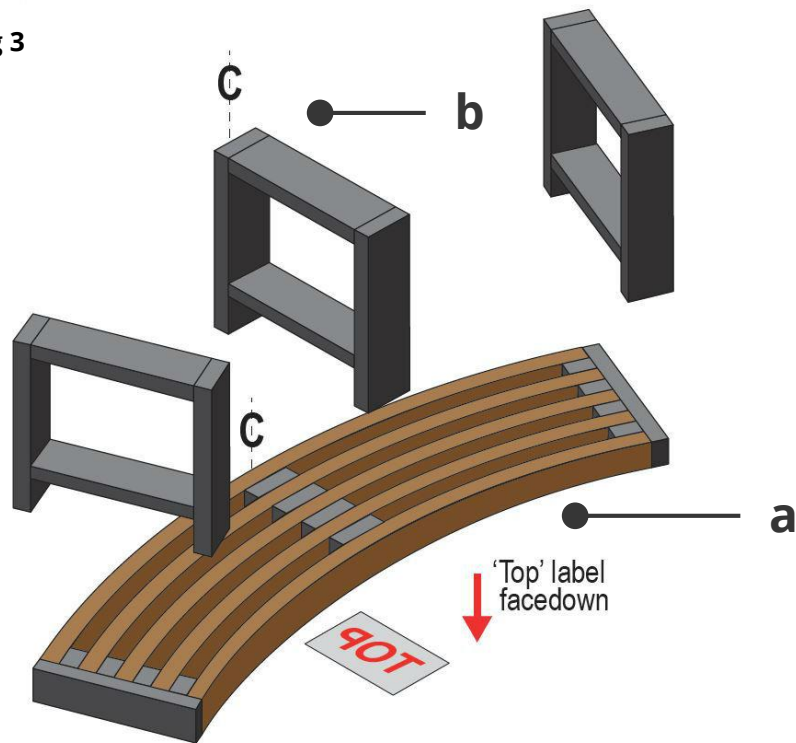


Fig 4

