



ISLINGTON BENCH ASSEMBLY INSTRUCTIONS



Parts Supplied

- a) 2 X Leg Frames
- b) 5 X Seat Slats (numbered 1 – 5)
- c) 16 X 90mm Stainless steel screws
- d) 4 x 70mm long screws

Tools Required

- Power Drill with Philips screwdriver bit
- Measuring tape
- Straight Edge

PLEASE READ THESE INSTRUCTIONS CAREFULLY AND FOLLOW THE ASSEMBLY DRAWINGS. WE WILL NOT ACCEPT ANY CLAIMS IF THIS PRODUCT IS WRONGLY ASSEMBLED.

Fig 1

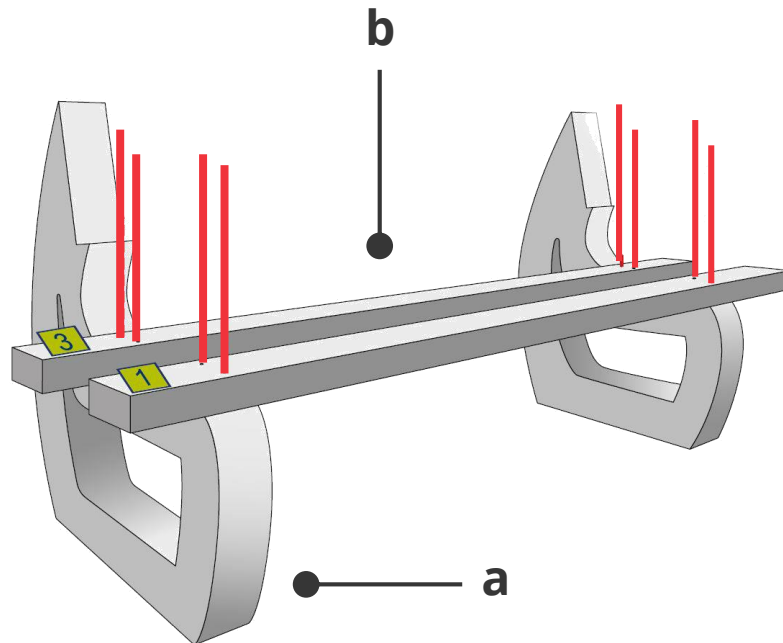
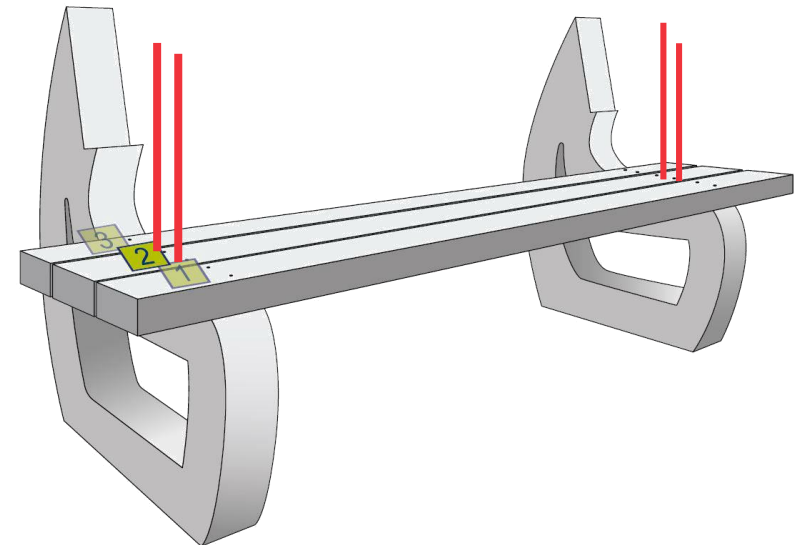


Fig 2



 Screw positions



METHOD

1. Stand the leg frames **(a)** upright on a flat surface **(fig. 1)**
2. Position the outer and inner seat slates (1&3) **(b)**, ensure there is enough space for the central slat with 25mm gaps between slats. Line up the screw holes with the centre of the frame and fix to each Leg section **(b)** with 8 x 90mm screws **(fig. 2)**
3. Position the middle seat slat (2), square ends and fix with 4 x 90mm screws **(fig. 3)**
4. Position the lower slat (4) on the slat back (fig.4) and fix with 4 x 90mm screws
5. Fix the final top slat (5) with 4 x 70mm screws **(fig. 4)**

Fig 3

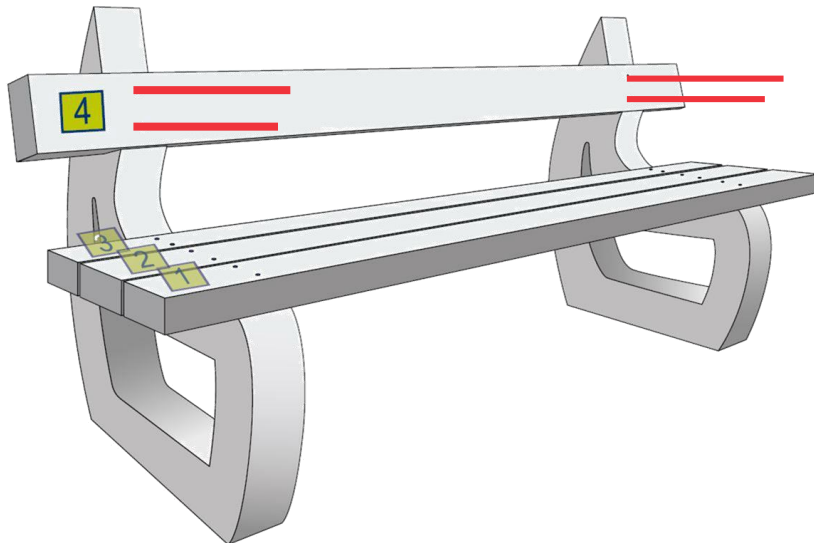


Fig 4

