



HARROW BENCH ASSEMBLY INSTRUCTIONS



Parts Supplied

- a) 2 X Leg Frames
- b) 3 X Seat Slats (numbered 1 – 3)
- c) 8 X 90mm Stainless steel screws
- d) 4 x 70mm long screws

Tools Required

- Power Drill with Philips screwdriver bit
- Measuring tape
- Straight Edge

PLEASE READ THESE INSTRUCTIONS CAREFULLY AND FOLLOW THE ASSEMBLY DRAWINGS. WE WILL NOT ACCEPT ANY CLAIMS IF THIS PRODUCT IS WRONGLY ASSEMBLED.

Fig 1

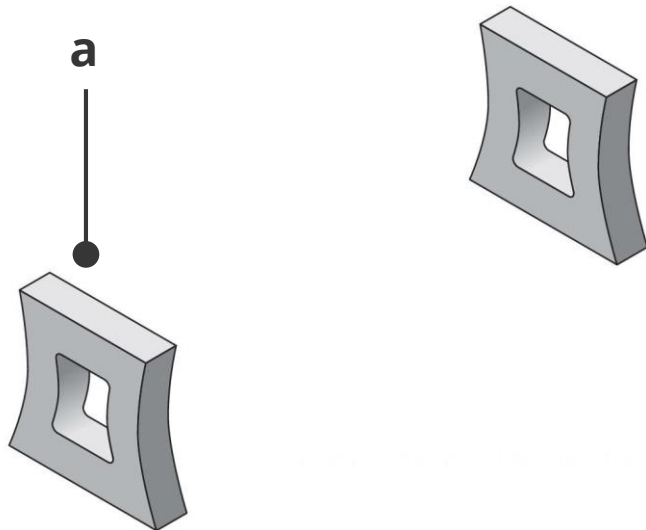
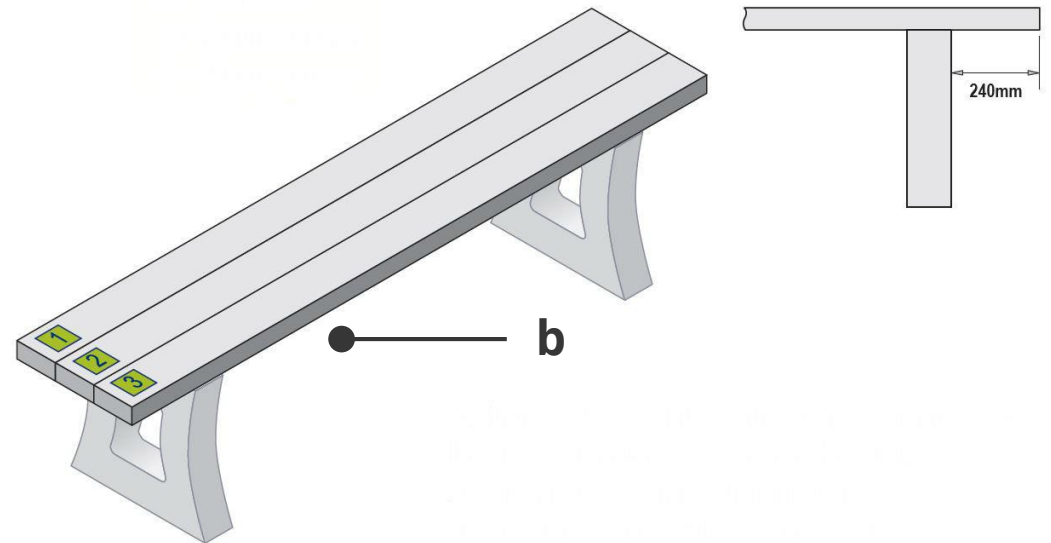


Fig 2





HARROW BENCH ASSEMBLY INSTRUCTIONS



METHOD

1. Stand the moulded leg frames (**a**) upright on a flat surface (**fig. 1**)
2. Position the 3 seat slats (**b**) centrally on the frames, with the slats extending 240mm on either side (**fig 2**). Ensure the ends are square by using a straight edge.
3. Fix the central slat (Slat 2) with 4 x 70mm screws using the guidelines in (**fig. 3**)
4. Fix the remaining outer slats (1 and 3) with 8 x 90mm screws using the guidelines in (**fig. 4**)

PLEASE READ THESE INSTRUCTIONS CAREFULLY AND FOLLOW THE ASSEMBLY DRAWINGS. WE WILL NOT ACCEPT ANY CLAIMS IF THIS PRODUCT IS WRONGLY ASSEMBLED.

Fig 3

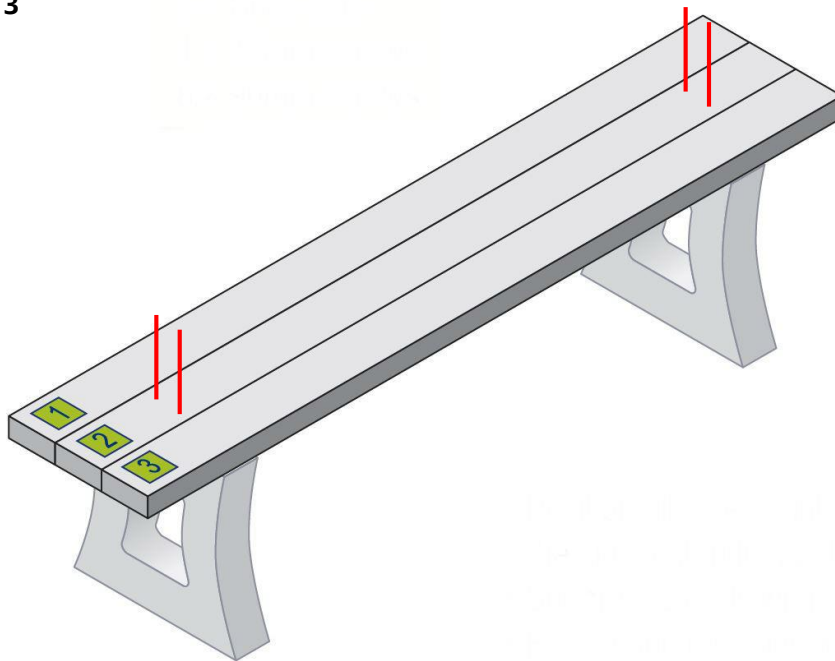
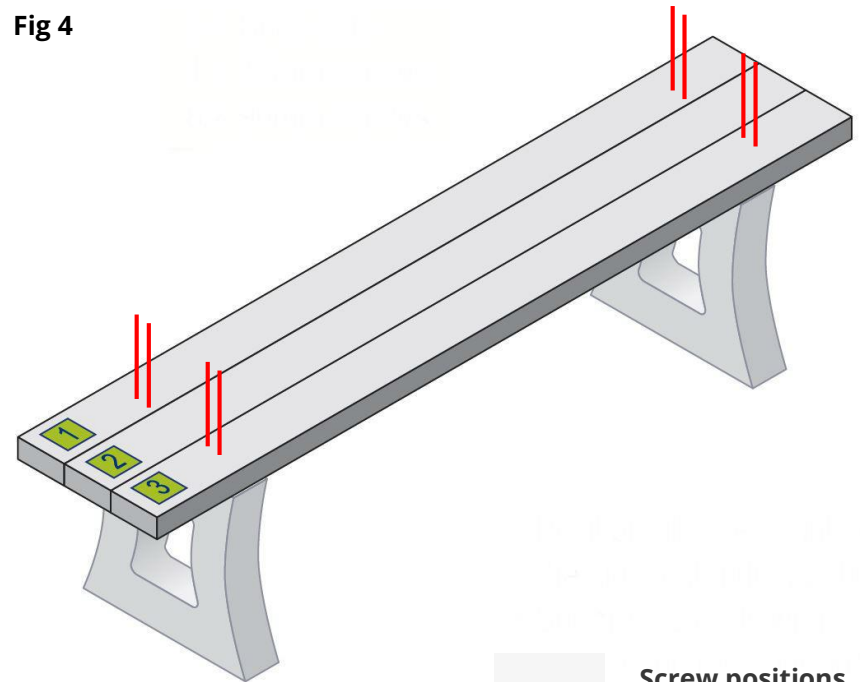


Fig 4



 Screw positions