

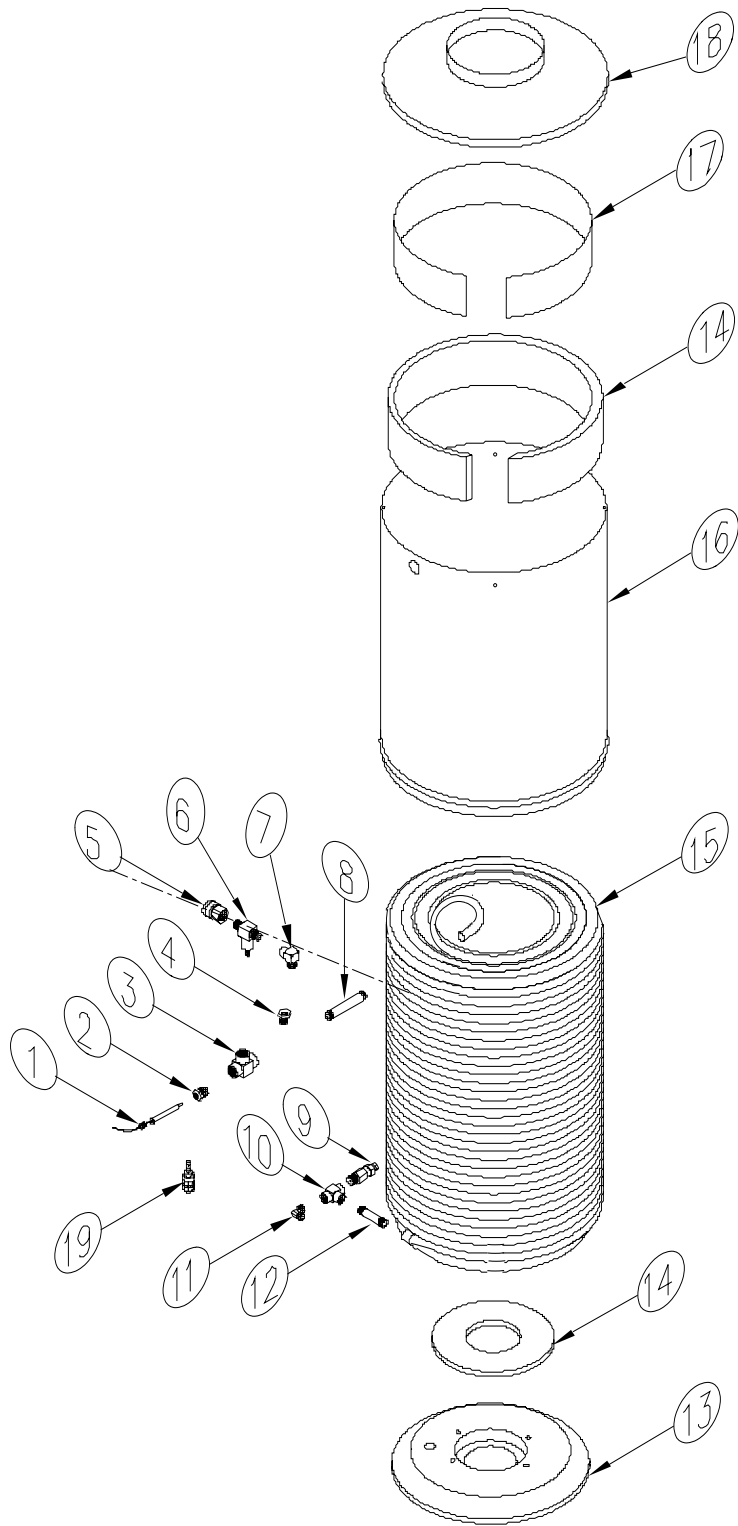
Dynablast[®]

Illustrated Parts Manual



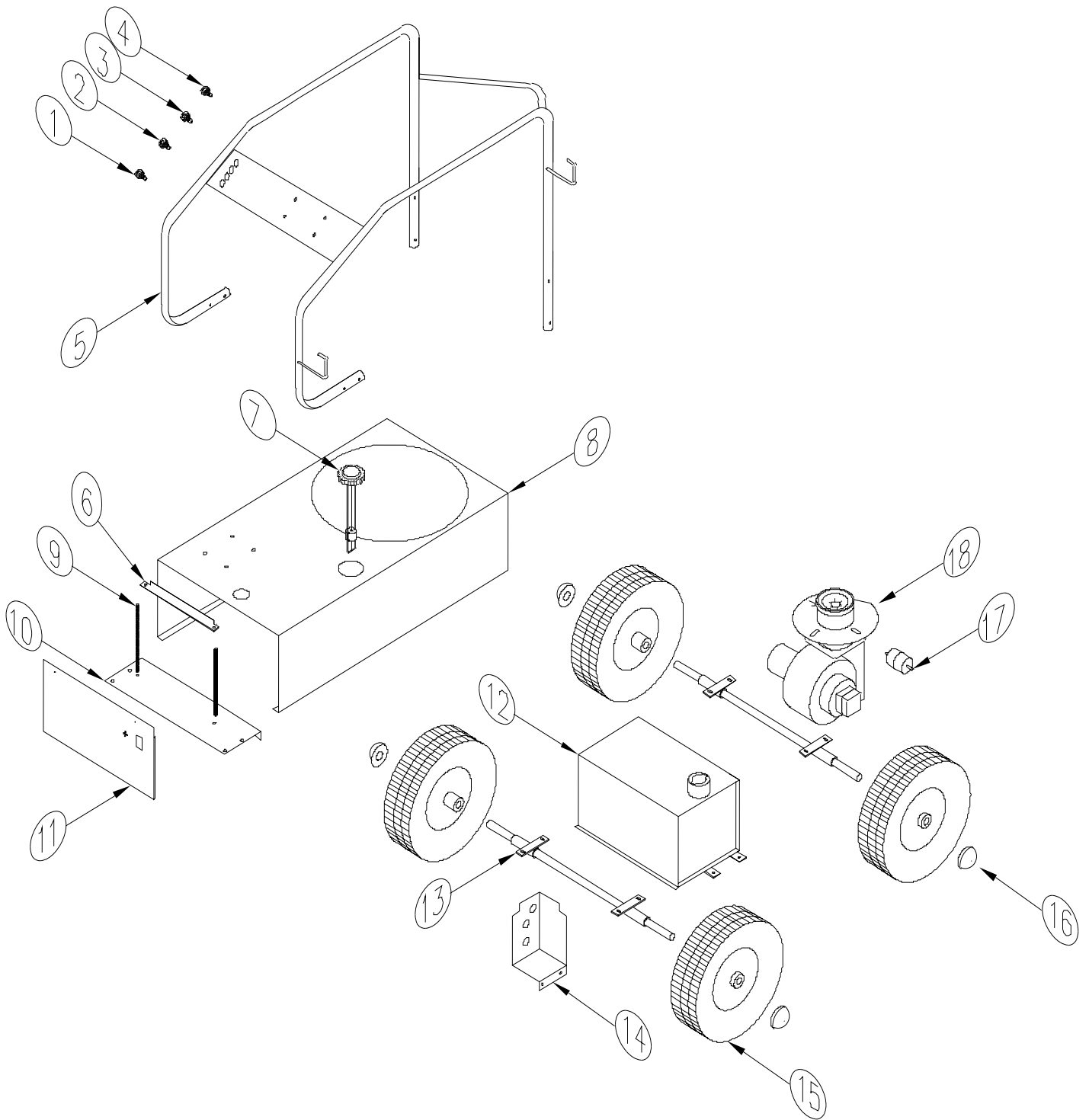
DGF H4035

H4035DGF Coil Assembly



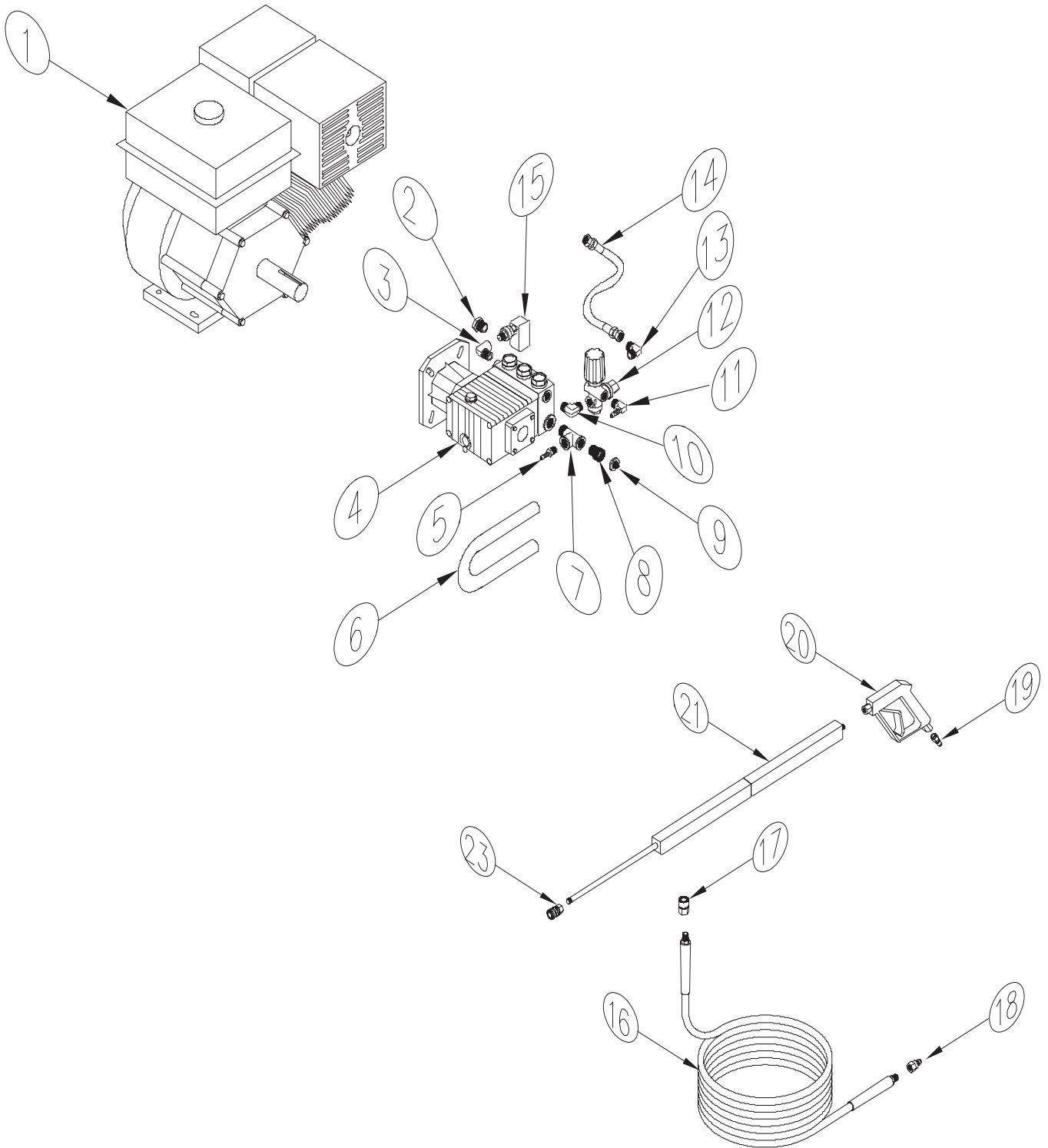
| Ref # | Description | Part Number | Ref # | Description | Part Number |
|-------|-------------------------------------|--------------|-------|--------------------------|-------------|
| 1 | Thermostat | HWTR86 | 11 | Elbow | FIS.3749-6C |
| 2 | Thermostat well bushing | HWEP40096 | 12 | Pipe Nipple | FIMP113C7H |
| 3 | Tee 1/2" npt | FIS.1001-D | 13 | Burner Base | HW24453 |
| 4 | Reducing Bushing 3/8nptf to 1/2nptm | FIS.1010DC | 14 | Insulation Kit | HW40194 |
| 5 | Quick connect Socket | QC7218 | 15 | Coil | HW40055 |
| 6 | Chemical Injector | CJ1B | 16 | Coil Skin | HW24575 |
| 7 | Elbow 3/8nptm to 3/8 nptf | FIS.1015-C | 17 | Insulation retainer Ring | |
| 8 | Pipe Nipple 1/2" nptm x 3" | FI.MP113-D3H | 18 | Coil Cap | HW24559 |
| 9 | Pressure Relief Valve | HWRV500B1 | 19 | Chemical Filter | F1I |
| 10 | Tee 1/2" npt | FIS.1001-D | | | |

H4035DGF Frame Assembly



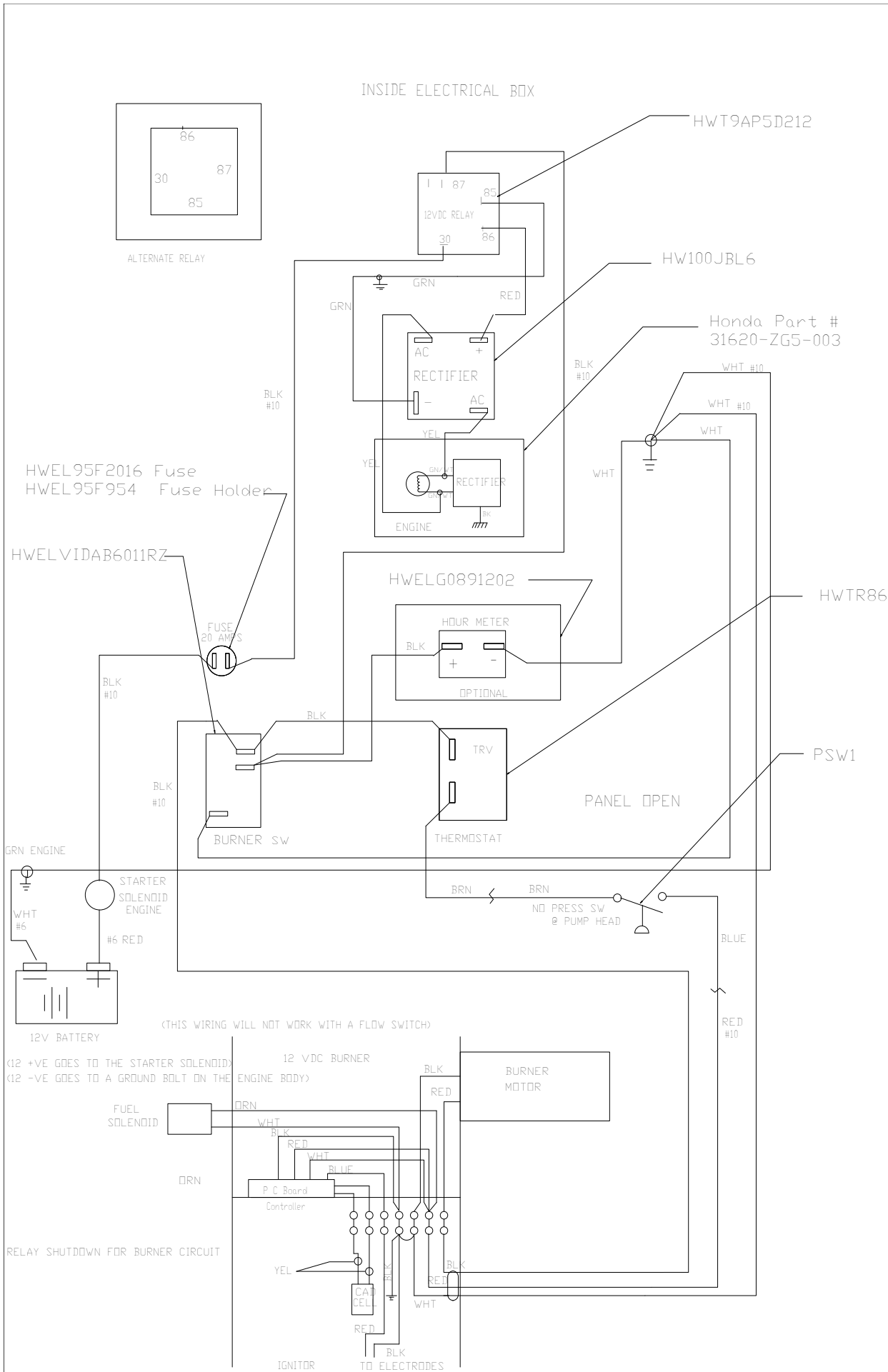
| Ref # | Description | Part Number | Ref # | Description | Part Number |
|-------|-----------------------------------|-------------|-------|-----------------------------------|-------------|
| 1 | QC Nozzle (Soap) | QCEM2540 | 10 | Battery Base | HWEP24587 |
| 2 | QC Nozzle (0) | QCMEG0004LV | 11 | Control Pannel | HWEP24589L |
| 3 | QC Nozzle (15) | QCMEG1504LV | 12 | Fuel Tank | HW24573 |
| 4 | QC Nozzle (25) | QCMEG2504LV | 13 | Axle Weldment | HWEP40560 |
| 5 | Roll Cage | HW24570R | 14 | Electrial Enclosure | HWEP24588L |
| 6 | Battery Hold Down Bracket | HWEP24507 | 15 | 13" Pnumatic Wheel | HW40554A |
| 7 | Fuel Filler Cap / Level Indicator | HW201634 | 16 | Wheel Retainer | HW40558 |
| 8 | Frame | HWEP24571 | 17 | Fuel Filter | HW33001 |
| 9 | 1/4" Threaded Rod | HWEP20575 | 18 | Burner Assembly (refer to page 7) | JB101 |

H4035DGF Cold Water System

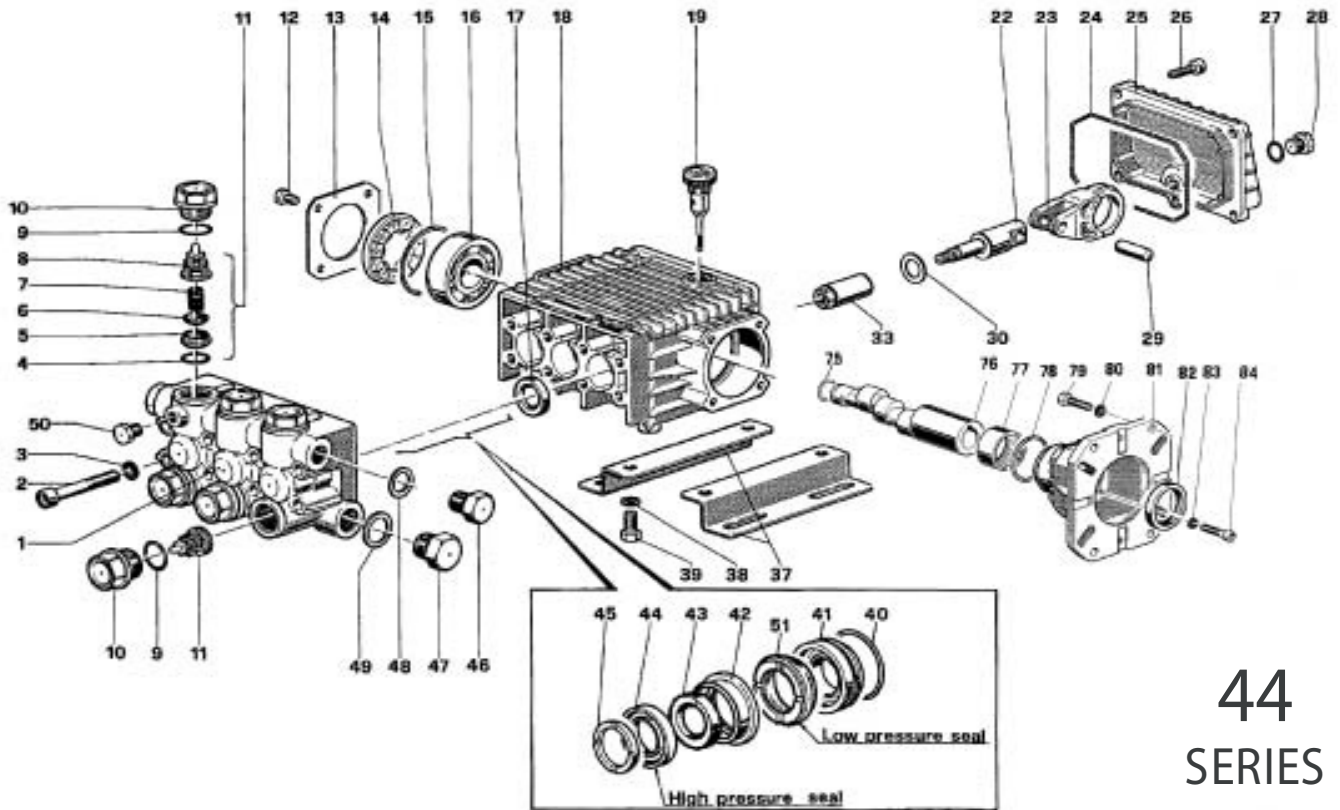


| Ref # | Description | Part Number | Ref # | Description | Part Number |
|-------|----------------------------------|-------------|-------|-------------------------------|-------------|
| 1 | 13 hp Engine w 18 amp coil | GX390KQNR6 | 12 | Easy Start Unloader Valve | UVP280ES |
| 2 | Thermal Pump Protector | 60063070P | 13 | 3/8 nptm to 1/4" bsptm elbow | FIS3749-6C |
| 3 | 3/8 nptm to 1/4 nptf Steel Elbow | FIS.1015-BC | 14 | Junction Hose | FI 59LD |
| 4 | 4000 psi Plunger Pump | WW965BC | 15 | Pressure Switch | PSW1 |
| 5 | 3/8" Barb to 1/2" nptm | FI.125-8B | 16 | 50' Pressure Washer Hose | HW504000 |
| 6 | Bypass hose 250 psi rated 18" | FIPVC128 | 17 | Quick Connect Socket 3/8 nptf | QC7218 |
| 7 | 1/2" Tee | FIS1001-D | 18 | Quick Connect Plug 3/8 nptf | QC7195 |
| 8 | Garden hose adapter | FI 194-D | 19 | Quick Connect Plug 3/8 nptm | QC7196 |
| 9 | Inlet Screen and washer | 38000035 | 20 | Trigger Gun | G250VA |
| 10 | 3/8 nptm to 3/8 nptm Steel Elbow | FIS1099-C | 21 | 48" Lance | Z12 |
| 11 | 3/8 barb to 3/8 nptm elbow | FI 139-8C | 22 | Quick Connect Socket 1/4 nptf | QC7214 |

Wiring Diagram



WW965C



44 SERIES

WW965C VERSION C

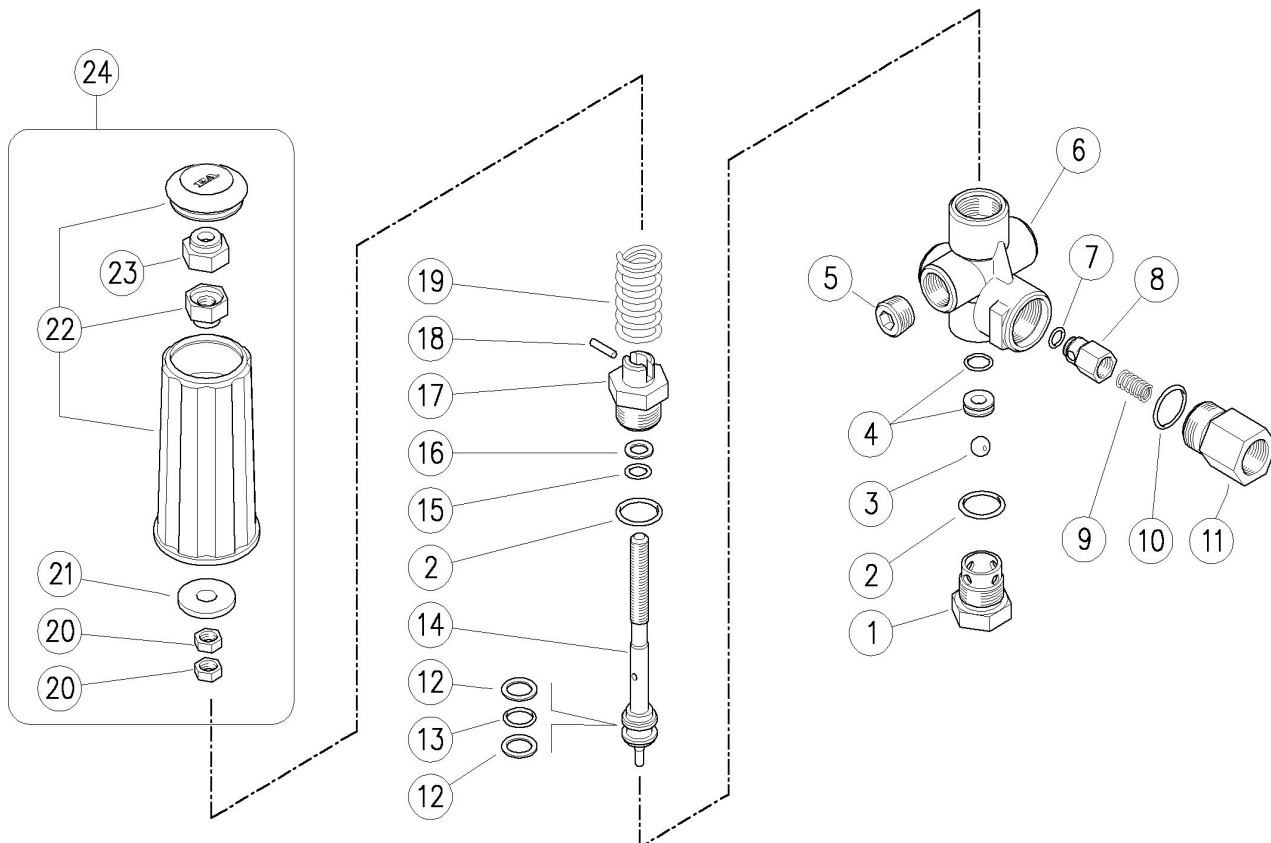
| KIT N. | KIT 23 | KIT 123 | KIT 152 | KIT 153 | KIT 154 | KIT 155 | KIT 156 | KIT 158 |
|--------------------|--------|----------------------|---------|-------------|---------|---------|-------------------------------|---------|
| Positions Included | 17 | 4-5-6 7-8 (11) | 40-41 | 43-44 51 | 42 | 45 | 40-41 42-43 44-45 51 | 9-10 |
| N. pcs. | 3 | 6 | 3 | 3 | 3 | 3 | 3 | 6 |

| Torque Specs | | | | | | | | | | |
|--------------|------|------|-----|-----|------|------|------|-----|------|-----|
| Position | 2 | 10 | 12 | 26 | 28 | 46 | 47 | 50 | 79 | 84 |
| Ft - lbs | 14.7 | 73.7 | 7.3 | 7.3 | 14.7 | 29.4 | 29.4 | 9.6 | 14.7 | 7.3 |
| N-M | 20 | 100 | 10 | 10 | 20 | 40 | 40 | 13 | 20 | 10 |

| POS. | Part Number | DESCRIPTION | N. PCS. |
|------|-------------|-----------------------------|-----------|
| 1 | 44.1208.41 | Manifold (plunger Ø 13) | 1 |
| 2 | 99.3175.00 | Screw M8x60 | 8 |
| 3 | 96.7014.00 | Washer | 8 |
| 4 | 90.3841.00 | O-Ring 17,13x2,62 | KIT 123 6 |
| 5 | 36.2003.66 | Valve Seat | KIT 123 6 |
| 6 | 36.2001.76 | Poppet | KIT 123 6 |
| 7 | 94.7376.00 | Spring 9,4x14,8 | KIT 123 6 |
| 8 | 36.2025.51 | Valve Cage | KIT 123 6 |
| 9 | 90.3847.00 | O-Ring 20,24x2,62 | KIT 158 6 |
| 10 | 98.2225.00 | Valve Cap M 24x1,5x17 | KIT 158 6 |
| 11 | 36.7115.01 | Valve Assembly | KIT 123 6 |
| 12 | 99.1807.00 | Bolt M6x10 | 4 |
| 13 | 50.1500.74 | Bearing Retainer | 1 |
| 14 | 44.2118.01 | Oil Level Indicator | 1 |
| 15 | 90.4097.00 | O-Ring 55,56x3,53 | 1 |
| 16 | 91.8328.00 | Ball Bearing 6305 | 1 |
| 17 | 90.1614.00 | Oil Seal 20x30x5 | KIT 23 3 |
| 18 | 44.0100.22 | Crankcase | 1 |
| 19 | 98.2103.00 | Oil Dipstick | 1 |
| 22 | 44.0501.66 | Plunger Guide | 3 |
| 23 | 44.0300.22 | Connecting Rod | 3 |
| 24 | 90.3920.00 | O-Ring 101,27x2,62 | 1 |
| 25 | 44.1600.22 | Crankcase Cover | 1 |
| 26 | 99.1837.00 | Screw M6x14 | 5 |
| 27 | 90.3585.00 | O-Ring 10,82x1,78 | 1 |
| 28 | 98.2041.00 | Cap Screw G1/4x9 | 1 |
| 29 | 97.7340.00 | Wrist Pin 10x29,5 | 3 |
| 30 | 96.6967.00 | Washer 7,1x28 | 3 |
| 33 | 44.0402.66 | Plunger 13mm Ceramic Coated | 3 |

| POS. | Part Number | DESCRIPTION | N. PCS. |
|------|-------------|----------------------|-----------------|
| 37 | 50.2000.74 | mounting Rails | 2 |
| 38 | 96.7016.00 | Washer 8 UNI 1751 | 4 |
| 39 | 99.3037.00 | Screw M8x16 | 4 |
| 40 | 90.3612.00 | O-Ring 31,47x1,78 | KIT 152 - 156 3 |
| 41 | 44.0803.70 | Packing Retainer 13 | KIT 152 - 156 3 |
| 42 | 44.2162.70 | Intermediate Ring 13 | KIT 154 - 156 3 |
| 43 | 90.5076.00 | Packing 13x17x2 | KIT 153 - 156 3 |
| 44 | 90.2602.00 | Packing 13 H.P. seal | KIT 153 - 156 3 |
| 45 | 44.1002.51 | Head Ring 13 | KIT 155 - 156 3 |
| 46 | 98.2100.00 | Plug G 3/8x13 | 1 |
| 47 | 98.2176.00 | Plug G 1/2x10 | 1 |
| 48 | 96.7380.00 | Washer 17,5x23x1,5 | 1 |
| 49 | 96.7514.00 | Washer 21,5x27x1,5 | 1 |
| 50 | 98.1967.00 | Plug G 1/8x8 | 1 |
| 51 | 90.2603.00 | Packing 13 L.P. seal | KIT 153 - 156 3 |
| 75 | 90.0635.00 | Retaining Ring | 1 |
| | 44.0209.65 | Crankshaft WW963C | 1 |
| | 44.0212.65 | Crankshaft WW964C | 1 |
| | 44.0221.65 | Crankshaft WW965C | 1 |
| | 91.8568.00 | Roller Bearing | 1 |
| | 90.4097.00 | O-Ring 55,56x3,53 | 1 |
| | 99.2755.00 | Screw 5/16x10 UNF | 4 |
| | 99.3345.00 | Screw 3/8x10 UNC | 4 |
| | 96.7020.00 | Washer 8 | 4 |
| | 96.7104.00 | Washer 10 | 4 |
| | 10.0518.22 | Gas Flange SAEJ609 | 1 |
| | 90.1690.00 | Oil Seal 45x62x8 | 1 |
| | 96.6938.00 | Washer 6 Schnorr | 4 |
| | 99.1912.00 | Vite M6x30 UNI 5931 | 4 |

UVP280ES Unloader Valve with easy start valve

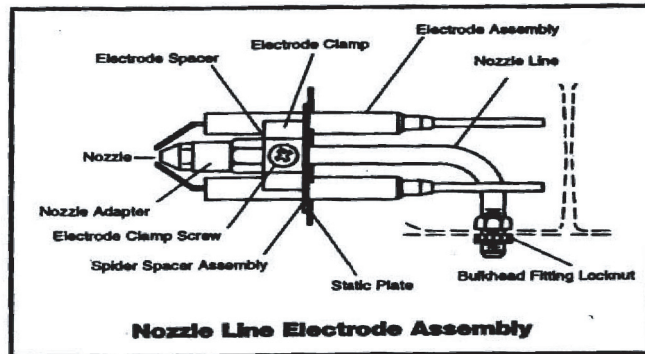
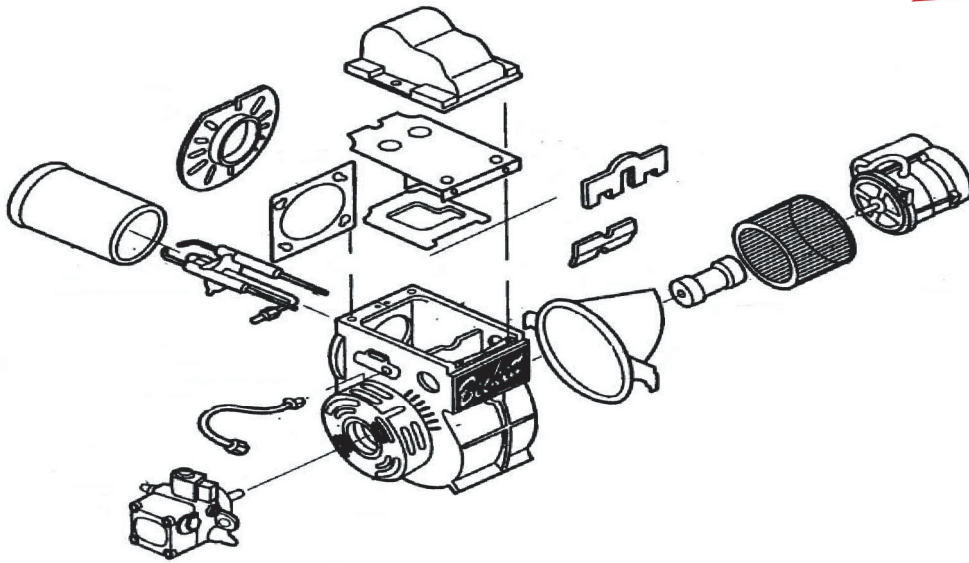


| Pos. | P/N | Description | Q.ty | K1 |
|------|-------------|---------------------------------------|------|----|
| 1 | 60.0063.31P | Easy starter plug -Pulsar 280 | 1 | |
| 2 | 10.3068.01P | O-ring, 1,78x17,17 mm Ni 85 | 2 | • |
| 3 | 14.7461.00P | Ball, 13/32" Sst. | 1 | • |
| 4 | 60.0259.20P | Seat, 8mm + O-ring, 1,78mm NBR85 | 1 | • |
| 5 | 60.0025.31P | Grub screw, brass 3/8M Npt | 1 | |
| 6 | 60.0075.35P | Housing -Pulsar280, 3/8 Npt FFF brass | 1 | |
| 7 | 10.3213.08P | O-ring, 3x6 mm Ni 90 | 1 | • |
| 8 | 60.0052.31P | Shutter pin, brass | 1 | |
| 9 | 60.0053.51P | Spring, 0,7x9x20 mm Sst. | 1 | |
| 10 | 10.3070.02P | O-ring, 1,78x18,77 mm Ni 85 | 1 | • |
| 12 | 60.0059.31P | Delivery coupl., 3/8F Npt brass | 1 | |
| 12 | 10.4021.00P | Back-up ring, opn. 11,5x15,9x1,2 mm | 2 | • |

| Pos. | P/N | Description | Q.ty | K1 |
|------|-------------|-----------------------------|------|----|
| 13 | 10.3175.08P | O-ring, 2,62x10,77 mm Ni 85 | 1 | • |
| 14 | 60.0061.23P | Valve piston, Sst. | 1 | |
| 15 | 10.3170.08P | O-ring, 2,62x7,6 mm Ni 85 | 1 | • |
| 16 | 10.4020.00P | Back-up ring, 8x12,6x1,2 mm | 1 | • |
| 17 | 60.0064.31P | Piston holder, brass | 1 | |
| 18 | 15.1021.00P | Roll pin, 3x14 mm Sst. | 1 | |
| 19 | 60.0033.61P | Spring, 5,7x26x53 mm blue | 1 | |
| 20 | 11.4573.31P | Hex. nut, M8, brass | 2 | |
| 21 | 14.3720.40P | Washer, 9,2x24x0,5 mm | 1 | |
| 22 | 60.0004.24P | Knob + Plug -Pulsar3 | 1 | |
| 23 | 11.4589.10P | Hex. locknut, M8 | 1 | |
| 24 | 60.0014.24P | Knob Kit -Pulsar3, 6x1pcs. | 1 | |

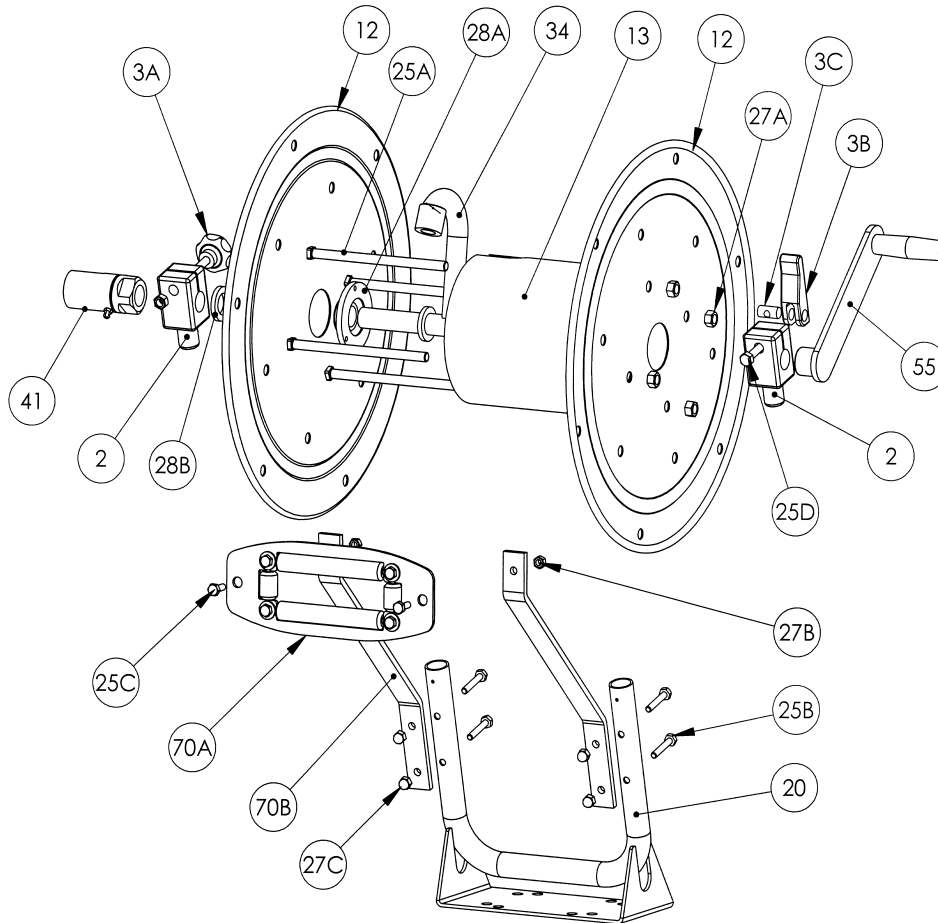
| Kit | P/N | Description |
|-----|-------------|---------------------------------|
| K1 | 60.0054.24P | Spares kit -Pulsar280, 10x1pcs. |

ADC Burner 12VDC EP601 Model Numbers H4035DGF
KEH3500DF



| Description | Part No. |
|---|------------|
| Motor 1/6HP 3450RPM | HW21699UF |
| Blower Wheel | HW21404U |
| Coupling | HW21405 |
| Pump A2VA7116 | HW2460U |
| Pump A2EA6520 + 12V coil | HW2184402U |
| Valve R621NL Suntec | HW21441U |
| Igniter with Control Board, on bade plate | HW51776U |
| Detector (C554A Cad-Cell) | HW7006U |
| Nozzle Line Electrodes Assembly | HWNL44XN |
| Head 360022 | HWF22 |
| Electrodes replacement kit | HW5780 |
| Coil only, for valve 12VDC | HW21754U |
| Gasket, Burner to Frame | HW3616 |
| Gasket, Blower to Flange | HW3613 |

Hose Reel (Optional)



Junction hose (not show) HW115EXT

| <u>Item No.</u> | <u>Description</u> | <u>PAR T NUMBER</u> | <u>Quantity</u> |
|-----------------|--|---------------------|-----------------|
| 2 | 1/2" Split Bearing, P02A-00130 | 9902.1250 | 2 |
| 3A | Brake Wheel | 9949.0065 | 2 |
| 3B | Cam Lock Lever | 9947.0132 | 1 |
| 3C | Brass Barrel Nut for Cam Lever Brake | 9947.0133 | 1 |
| 12 | Disc, 16-1/2" Diameter | 9903.0516 | 1 |
| 13 | Drum, 6" Dia x 6" Long | 9905.7112 | 1 |
| 20 | Frame Assembly, GH-1950 | 9908.1025 | 1 |
| 25A | 3/8"-16 Carriage Bolt w/ Nut | 9904.0214 | 4 |
| 25B | 1/4"-20 x 1-1/2" Hex Head Bolt | 9904.1004 | 4 |
| 25C | 1/4"-20 x 3/4" Hex Head Bolt | 9904.1001 | 6 |
| 25D | 5/16"-18 x 2-1/4" Hex Head Bolt | 9904.1107 | 2 |
| 27A | 3/8"-16 Spinlock Nut | 9904.6200 | 4 |
| 27B | 5/16"-18 Spinlock Nut | 9904.6100 | 7 |
| 27C | 1/4"-20 Acorn Nut | 9958.0037 | 4 |
| 28A | Disc Washer | 9965.0040 | 2 |
| 28B | 1/2" Hub Spacer Washer | 9954.0020 | 1 |
| 28C | 5/16" Flat Washer (not shown) | 9954.0006 | 2 |
| 29 | 1/8" x 1" Roll Pin (not shown) | 9958.0085 | 2 |
| 34 | 1/2" Hub Assy. w/ 3/8" FNPT Riser | 9901.0610 | 1 |
| 41 | 1/2" 90 Degree F x F Swivel Joint | 9927.8551 | 1 |
| 55 | Hand Crank Complete (includes hardware) | 9914.0021 | 1 |
| 70A | PW-2 Roller Assembly Complete | 9939.0081 | 1 |
| 70B | Roller Mounting Bracket, P70A-00770 (PW-2) | 9941.0211 | 2 |

