

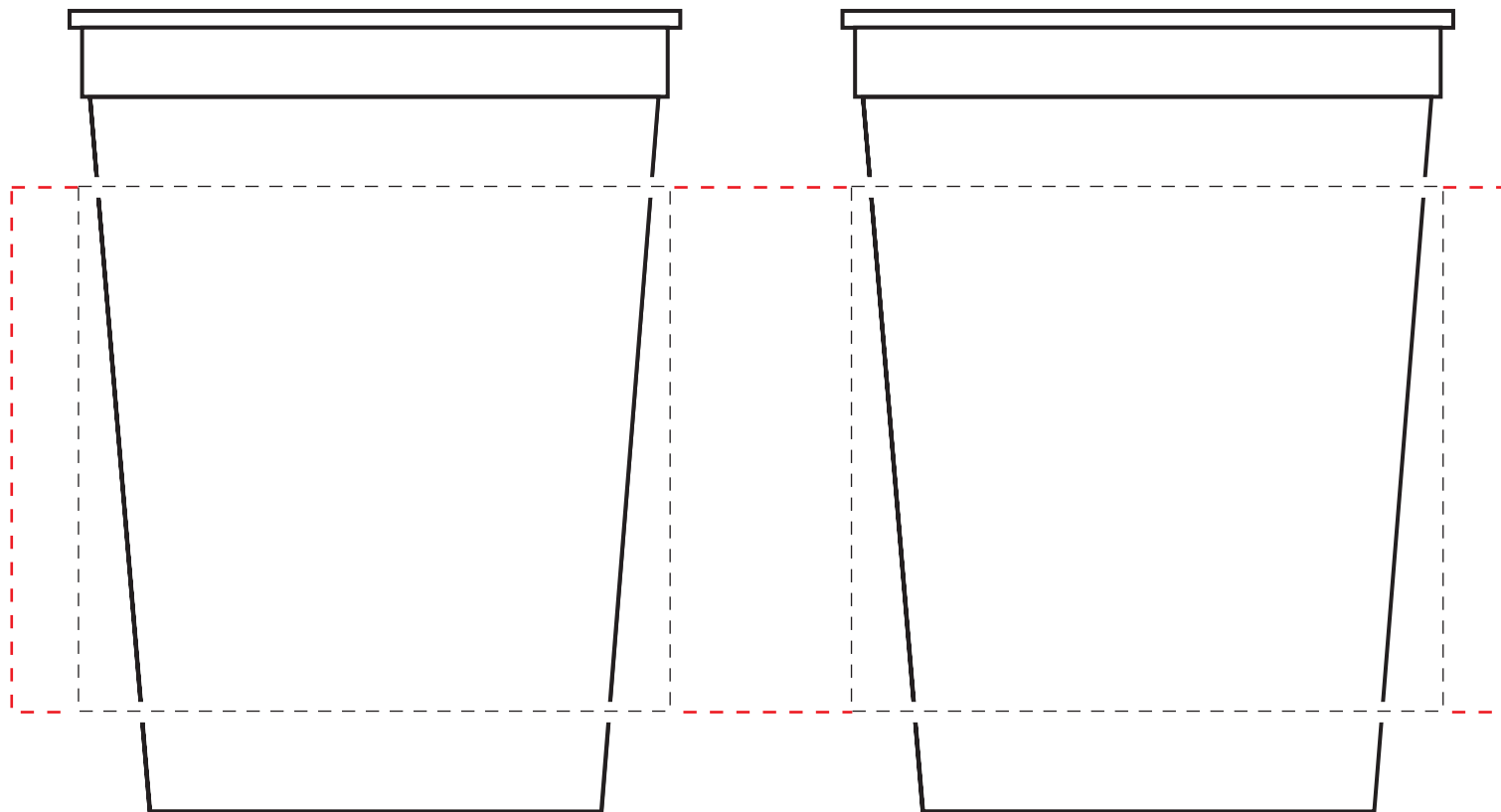
12 oz. STADIUM CUP

APPROVED AS IS
APPROVED WITH CHANGES
CUSTOMER SIGNATURE
Check all information on this proof carefully. Your signature assumes complete liability.

Customer			
Sales Order #			
Purchase Order #			
Item Color(s)			
Print Color(s)			
Quantity			
Proof Date			

SIDE ONE

SIDE TWO



Maximum Print Area
 3.10"W x 2.75"H single side
 7.85"W x 2.75"H wrap