



THINK **INSIDE** THE BOX.



Introducing **The MTN BOX®**
SPEKTRUM SERIES

— SMALL —

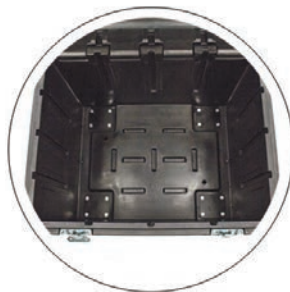
STRENGTH + VERSATILITY

Now in a compact design.



DURABILITY

The **MTN BOX®: Spektrum Series SM** is constructed of a super tough polyethylene resin, and built with heavy duty, replaceable hardware.



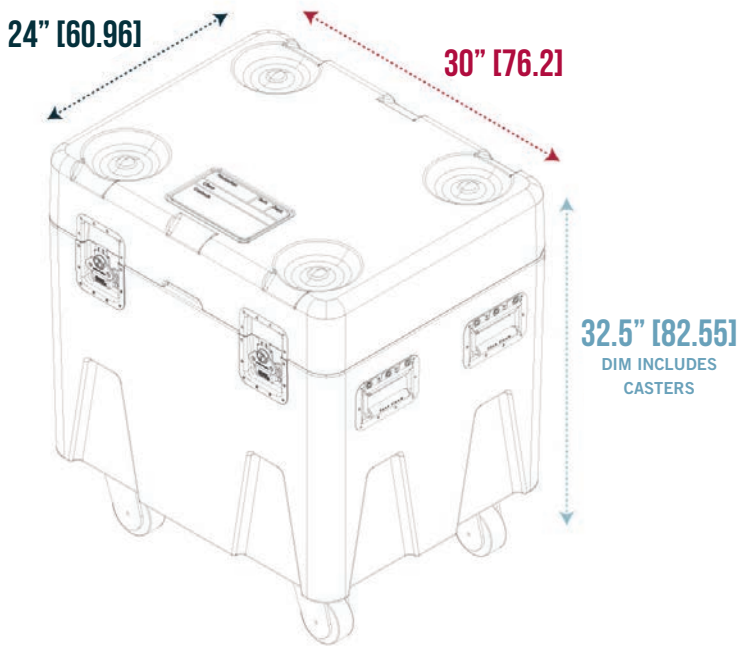
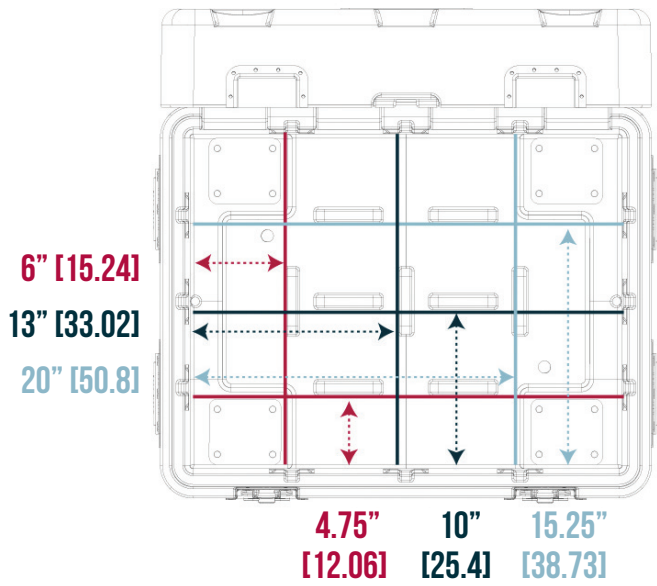
VERSATILITY

Customize this case to fit a wide variety of gear with precise, water-jet cut inserts. Our inserts are interchangeable, giving you endless possibilities.



RELIABILITY

Our **MTN BOX®** road case designs are used by many leading production companies, and are made in America, ensuring a high quality product every time.



CUSTOM INSERT SYSTEM

The most versatile road case in the industry

The MTN BOX®: *Spektrum Series SM* uses integrated channels in the interior walls and lid to fit custom, precisely cut inserts that partition the case into any configuration imaginable. Our inserts are water-jet cut for ultimate consistency and accuracy. The MTN BOX® insert inventory includes straight storage dividers and inserts cut for specific equipment, including chain hoists, fall protection, and more.

How will you think inside the box?

Get creative, and let us know what you would store in your MTN BOX®. Our engineers will create and configure custom insert packages, specifically for your needs.

