



THINK **INSIDE** THE BOX.



The MTN BOX®
SPEKTRUM SERIES

— LARGE —

TOUGHER THAN THE ROAD TRAVELED.



DURABILITY

The MTN BOX® *Spektrum Series LG* is constructed of a super tough polyethylene resin, and built with heavy duty, replaceable hardware.



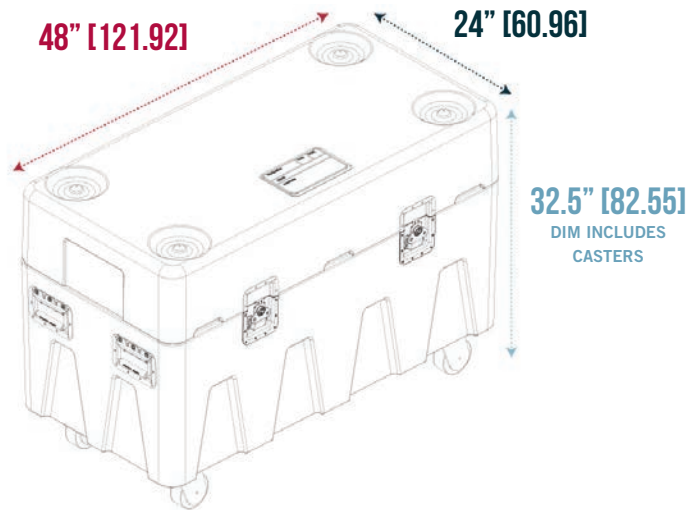
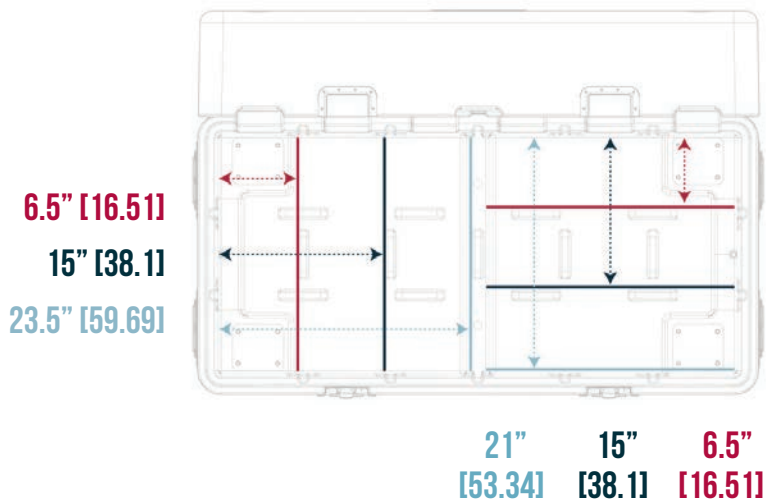
VERSATILITY

Customize this case to fit a wide variety of gear with precise, water-jet cut inserts. Our inserts are interchangeable, giving you endless possibilities.



RELIABILITY

Our MTN BOX® road case designs are used by many leading production companies, and are made in America, ensuring a high quality product every time.



CUSTOM INSERT SYSTEM

The most versatile road case in the industry

The MTN BOX® Spektrum Series LG uses integrated channels in the interior walls and lid to fit custom, precisely cut inserts that partition the case into any configuration imaginable. Our inserts are water-jet cut for ultimate consistency and accuracy. The MTN BOX® insert inventory includes straight storage dividers and inserts cut for specific equipment, including chain hoists, fall protection, and more.

How will you *think inside the box?*

Get creative, and let us know what you would store in your MTN BOX®. Our engineers will create and configure custom insert packages, specifically for your needs.

