



**Instructions for the  
following series products:**  
Full Body Harnesses

(See back pages for specific  
model numbers.)

**USER INSTRUCTION MANUAL  
FULL BODY HARNESS**

*This manual is intended to meet the Manufacturer's Instructions as required by ANSIZ359 and CSA 259.10 and should be used as part of an employee training program as required by OSHA*





**Figure 1 - Delta Vest™ Full Body Harness**



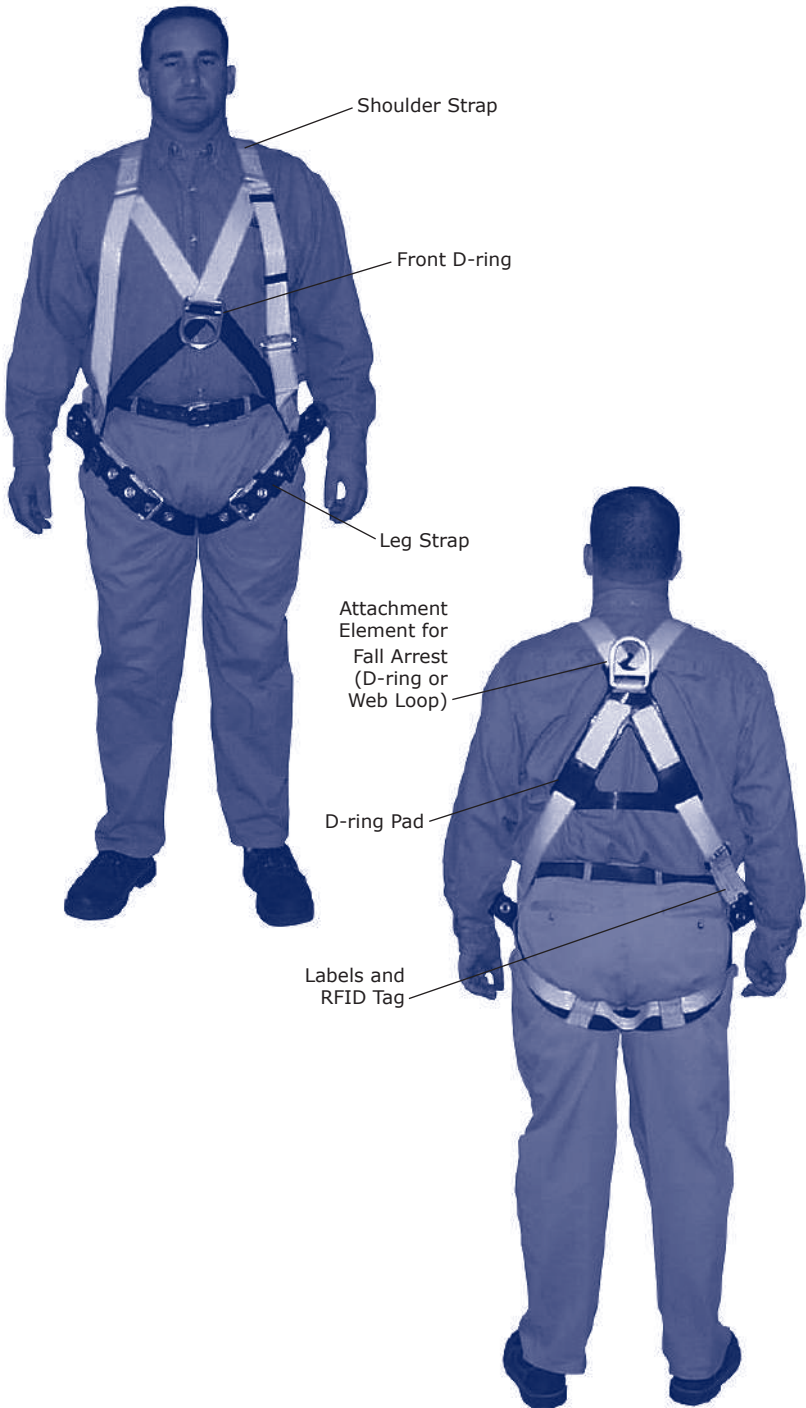
**Figure 2 - Vest Style Full Body Harness**



**Figure 3 - Cross-over Style Full Body Harness**



**Figure 4 - Step-in Style Full Body Harness**



**WARNING:** *This product is part of a personal fall arrest, restraint, work positioning, personnel riding, climbing, or rescue system. The user must follow the manufacturer's instructions for each component of the system. These instructions must be provided to the user of this equipment. The user must read and understand these instructions before using this equipment. Manufacturer's instructions must be followed for proper use and maintenance of this equipment. Alterations or misuse of this product or failure to follow instructions may result in serious injury or death.*

**IMPORTANT:** *If you have questions on the use, care, or suitability of this equipment for your application, contact DBI-SALA.*

**IMPORTANT:** *Before using this equipment, record the product identification information from the ID label in the inspection and maintenance log in section 9.0 of this manual.*

## **DESCRIPTIONS**

**Delta Vest™ Full Body Harness:** See Figure 1.

**Vest Style Full Body Harness:** See Figure 2.

**Cross-Over Style Full Body Harness:** See Figure 3.

**Step-In Style Full Body Harness:** See Figure 4.

### **OPTIONS:**

DBI-SALA Full Body Harnesses are available with options and accessories. Following is a partial list of commonly used options and accessories (some options may not be available on all harnesses):

- Shoulder D-rings
- Side D-rings
- Hip pad with side D-rings
- Quick Connect buckles
- Tongue buckle body belt
- Loops on harness for body belt
- Kevlar® webbing
- High visibility webbing
- Non-sparking/Non conductive PVC coated hardware
- Shoulder pads
- Tool belt support straps
- Seat sling
- Lanyard attached directly to D-ring or attachment element
- Snap fastener on shoulder strap for retaining lanyard
- Delta Vest™
- Tool holders

## 1.0 APPLICATIONS

**1.1 PURPOSE:** DBI-SALA full body harnesses are to be used as components in personal fall arrest, restraint, work positioning, or rescue systems. See Figures 1, 2, 3, and 4 for harness styles.

Harnesses included in this manual are full body harnesses and meet ANSI Z359.1, OSHA, and CSA Z259.10 requirements. See Figure 5 for application illustrations.

- Full body harnesses with Kevlar web should be used when working with tools, materials, or environments of high temperature (foundries, chemical manufacturing, steel fabrication, emergency rescue services, fire services, welders, oil industry, nuclear industry, explosives).
- Harnesses with PVC coated hardware should be used when working in explosive or electrically conductive environments, or where surfaces must be protected from the hardware.
- Harnesses with high visibility webbing should be used when increased visibility of the user is required.

**A. PERSONAL FALL ARREST:** The full body harness is used as a component of a personal fall arrest system. Personal fall arrest systems typically include a full body harness and a connecting subsystem (energy absorbing lanyard). Maximum arresting force must not exceed 1,800 lbs (8 kN). For fall protection applications connect the fall arrest subsystem (example: lanyard, SRL, energy absorber, etc.) to the D-ring or attachment element on your back, between your shoulder blades.

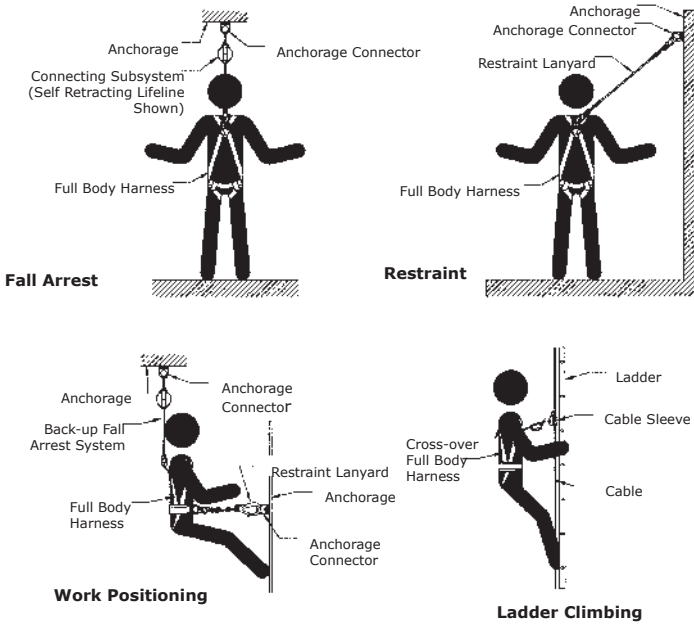


**B. WORK POSITIONING:** The full body harness is used as a component of a work positioning system to support the user at a work position. Work positioning systems typically include a full body harness, positioning lanyard, and a back-up personal fall arrest system. For work positioning applications, connect the work positioning subsystem (example: lanyard, Y-lanyard, etc.) to the lower (hip level) side or belt mounted work positioning attachment anchorage elements (D-rings). Never use these connection points for fall arrest.





**Figure 5 - Applications**



**C. LADDER CLIMBING:** The full body harness is used as a component of a climbing system to prevent the user from falling when climbing a ladder or other climbing structure. Climbing systems typically include a full body harness, vertical cable or rail attached to the structure, and climbing sleeve. For ladder climbing applications, harnesses equipped with a frontal D-ring in the sternal location may be used for fall arrest on fixed ladder climbing systems. These are defined in Z259.2.1 in Canada and ANSI A14.3 in the United States.



**D. RESCUE:** The full body harness is used as a component of a rescue system. Rescue systems are configured depending on the type of rescue. For limited access (confined space) applications, harnesses equipped with D-rings on the shoulders may be used for entry and egress into confined spaces where worker profile is an issue.



- E. CONTROLLED DESCENT:** For controlled descent applications, harnesses equipped with a single sternal level D-ring, one or two frontal mounted D-rings, or a pair of connectors originating below the waist (such as a seat sling) may be used for connection to a descender or evacuation system (reference in Z259.10 in Canada).

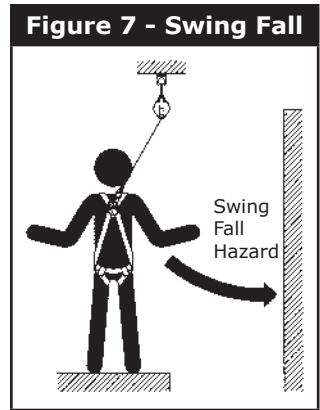
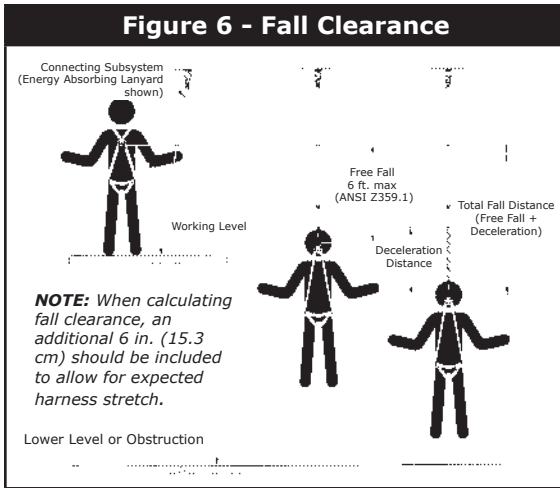


- F. RESTRAINT:** The full body harness is used as a component of a restraint system to prevent the user from reaching a fall hazard. Restraint systems typically include a full body harness and a lanyard or restraint line.

**1.2 LIMITATIONS:** Consider the following application limitations before using this equipment:

- A. CAPACITY:** These full body harnesses are designed for use by persons with a combined weight (clothing, tools, etc.) of no more than 420 lbs. Make sure all of the components in your system are rated to a capacity appropriate to your application
- B. FREE FALL:** Personal fall arrest systems used with this equipment must be rigged to limit the free fall to 6 feet (1.8 M) (ANSI Z359.1). Restraint systems must be rigged so that no vertical free fall is possible. Work positioning systems must be rigged so that free fall is limited to 2 feet (.6 m) or less. Personnel riding systems must be rigged so that no vertical free fall is possible. Climbing systems must be rigged so that free fall is limited to 18 in. (.46 m) or less. Rescue systems must be rigged so that no vertical free fall is possible. See subsystem manufacturer's instructions for more information.
- C. FALL CLEARANCE:** See Figure 6. There must be sufficient clearance below the user to arrest a fall before the user strikes the ground or other obstruction. The clearance required is dependent on the following factors:
- Elevation of anchorage
  - Connecting subsystem length
  - Deceleration distance
  - Free fall distance
  - Worker height
  - Movement of harness attachment element

See subsystem manufacturer's instructions for more information.



- D. SWING FALLS:** See Figure 7. Swing falls occur when the anchorage point is not directly above the point where a fall occurs. The force of striking an object in a swing fall may cause serious injury or death. Minimize swing falls by working as close to the anchorage point as possible. Do not permit a swing fall if injury could occur. Swing falls will significantly increase the clearance required when a self-retracting lifeline or other variable length connecting subsystem is used.
- E. EXTENDED SUSPENSION:** A full body harness is not intended for use in extended suspension applications. If the user is going to be suspended for an extended length of time it is recommended that some form of seat support be used. DBI-SALA recommends a seat board, suspension workseat, seat sling, or a boatswain chair. Contact DBI-SALA for more information on these items.
- F. ENVIRONMENTAL HAZARDS:** Use of this equipment in areas with environmental hazards may require additional precautions to prevent injury to the user or damage to the equipment. Hazards may include, but are not limited to; heat, chemicals, corrosive environments, high voltage power lines, gases, moving machinery, and sharp edges.
- G. HARNESES FOR HIGH TEMPERATURE ENVIRONMENTS:** Harnesses with Kevlar webbing are designed for use in high temperature environments, with limitations: Kevlar webbing begins to char at 800° to 900° Fahrenheit. Kevlar webbing can withstand limited contact exposure to temperatures up to 1,000° F. Polyester webbing loses strength at 300° to 400° F. PVC coating on hardware has a melting point of approximately 350° F.

**IMPORTANT:** When working with tools, materials, or in high temperature environments, ensure that associated fall protection equipment can withstand high temperatures, or provide protection for those items.

**IMPORTANT:** Although PVC coated, cadmium, or zinc plated hardware exhibit excellent corrosion resistance in chemical, acidic, alkaline, and atmospheric conditions, frequent inspections may be required. Consult with DBI-SALA if you question the use of this equipment in hazardous environments.

**H. TRAINING:** This equipment must be installed and used by persons trained in its correct application and use. See section 4.0.

**1.3 APPLICABLE STANDARDS:** Refer to national standards, including ANSI Z359 (.0, .1, .2, .3, and .4) family of standards on fall protection, ANSI A10.32, CSA Z259.10, and applicable local, state and federal (OSHA) requirements governing occupational safety for more information about work positioning systems.

**IMPORTANT:** Harnesses with Kevlar webbing do not meet ANSI Z359.1. Kevlar does not have equivalent abrasion resistance of polyamides. Kevlar harnesses meet all other requirements of this standard.

## **2.0 SYSTEM REQUIREMENTS**

**2.1 COMPATIBILITY OF COMPONENTS:** DBI-SALA equipment is designed for use with DBI-SALA approved components and subsystems only. Substitutions or replacements made with non-approved components or subsystems may jeopardize compatibility of equipment and may effect the safety and reliability of the complete system.

**2.2 COMPATIBILITY OF CONNECTORS:** Connectors are considered to be compatible with connecting elements when they have been designed to work together in such a way that their sizes and shapes do not cause their gate mechanisms to inadvertently open regardless of how they become oriented. Contact DBI-SALA if you have any questions about compatibility.

Connectors (hooks, carabiners, and D-rings) must be capable of supporting at least 5,000 lbs. (22.2 kN). Connectors must be compatible with the anchorage or other system components. Do not use equipment that is not compatible. Non-compatible connectors may unintentionally disengage. See Figure 8. Connectors must be compatible in size, shape, and strength. Self-locking snap hooks and carabiners are required by ANSI Z359.1 and OSHA.

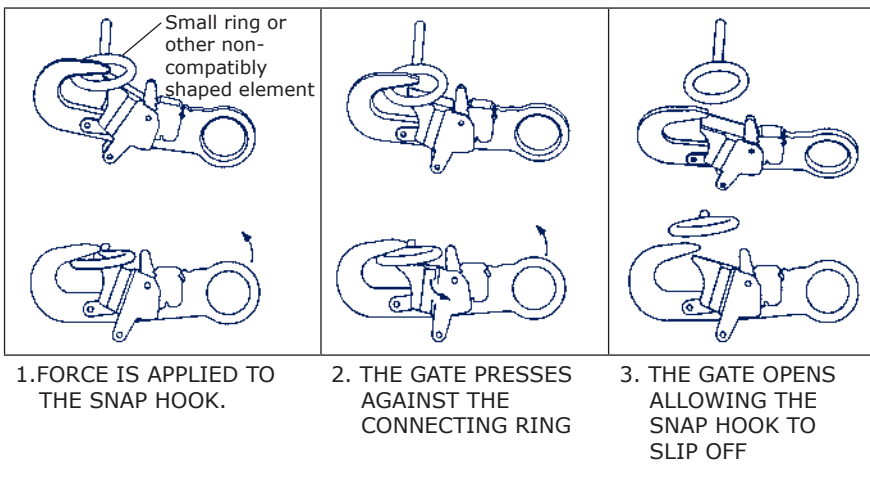
**2.3 MAKING CONNECTIONS:** Use only self-locking snap hooks and carabiners with this equipment. Use only connectors that are suitable to each application. Ensure all connections are compatible in size, shape and strength. Do not use equipment that is not compatible. Ensure all connectors are fully closed and locked.

DBI-SALA connectors (snap hooks and carabiners) are designed to be used only as specified in each product's user's instructions. See Figure 9 for inappropriate connections. DBI-SALA snap hooks and carabiners should not be connected:

- A. To a D-ring to which another connector is attached.
- B. In a manner that would result in a load on the gate.

**Figure 8 - Unintentional Disengagement (Rollout)**

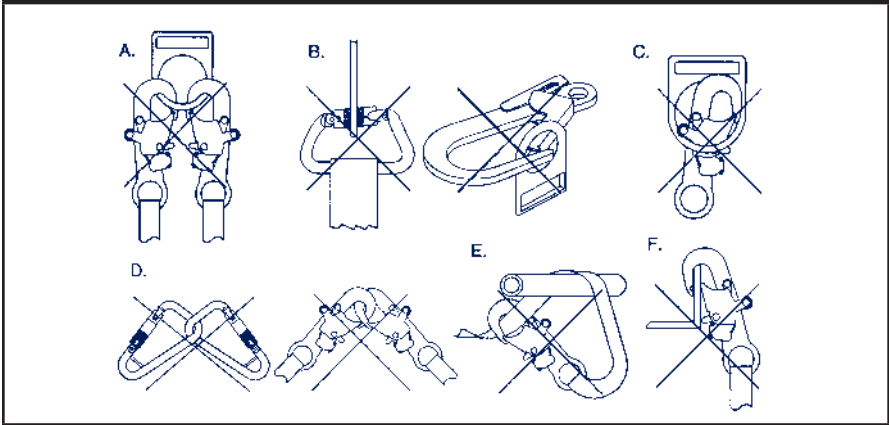
If the connecting element to which a snap hook (shown) or carabiner attaches is undersized or irregular in shape, a situation could occur where the connecting element applies a force to the gate of the snap hook or carabiner. This force may cause the gate (of either a self-locking or a non-locking snap hook) to open, allowing the snap hook or carabiner to disengage from the connecting point.



**NOTE:** Large throat snap hooks should not be connected to standard size D-rings or similar objects which will result in a load on the gate if the hook or D-ring twists or rotates, unless the snap hook complies with ANSI Z359.1-2007 and is equipped with a 3,600 lb gate. Check the marking on your snap hook to verify that it is appropriate for your application.

- C. In a false engagement, where features that protrude from the snap hook or carabiner catch on the anchor, and without visual confirmation seems to be fully engaged to the anchor point.

**Figure 9 - Inappropriate Connections**



- D. To each other.
- E. Directly to webbing or rope lanyard or tie-back (unless the manufacturer's instructions for both the lanyard and connector specifically allows such a connection).
- F. To any object which is shaped or dimensioned such that the snap hook or carabiner will not close and lock, or that roll-out could occur.

**2.4 CONNECTING SUBSYSTEMS:** Connecting subsystems (self-retracting lifeline, lanyard, rope grab and lifeline, cable sleeve) must be suitable for your application. See section 1.1. See subsystem manufacturer's instructions for more information. Some harness models have web loop connection points. Do not use snap hooks to connect to web loops. Use a self-locking carabiner to connect to a web loop. Ensure the carabiner cannot cross-gate load (load against the gate rather than along the backbone of the carabiner). Some lanyards are designed to choke onto a web loop to provide a compatible connection. See Figure 10. Lanyards may be sewn directly to the web loop forming a permanent connection. Do not make multiple connections onto one web loop, unless choking two lanyards onto a properly sized web loop.

**2.5 ANCHORAGE STRENGTH:** The anchorage strength required is dependent on the application type. The following are the requirements of ANSI 359.1 for these application types:

- A. **FALL ARREST:** Anchorages selected for fall arrest systems shall have a strength capable of sustaining static loads applied in the directions permitted by the system of at least:
  1. 5,000 lbs. (22.2 kN) for non-certified anchorages, or
  2. Two times the maximum arresting force for certified anchorages. When more than one fall arrest system is

attached to an anchorage, the strengths set forth in (1) and (2) above shall be multiplied by the number of systems attached to the anchorage.

**B. RESTRAINT:**

Anchages selected for restraint and travel restraint systems shall have a strength capable of sustaining static loads applied in the

directions permitted by the system of at least:

1. 1,000 lbs. (4.5 kN) for non-certified anchorages, or
2. Two times the foreseeable force for certified anchorages.

When more than one restraint and travel restraint system is attached to an anchorage, the strengths set forth in (1) and (2) above shall be multiplied by the number of systems attached to the anchorage.

**C. WORKING POSITIONING:** Anchorages selected for work positioning systems shall have a strength capable of sustaining static loads applied in the directions permitted by the system of at least:

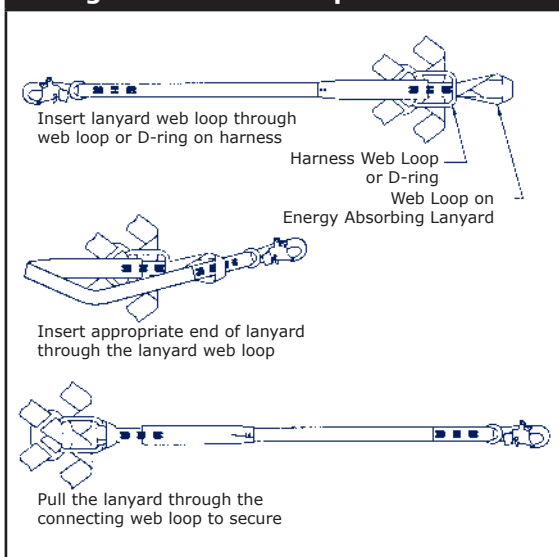
1. 3,000 lbs. (13.3 kN) for non-certified anchorages, or
2. Two times the foreseeable force for certified anchorages. When more than one work positioning system is attached to an anchorage, the strengths set forth in (1) and (2) above shall be multiplied by the number of systems attached to the anchorage.

**D. RESCUE:** Anchorages selected for rescue systems shall have a strength capable of sustaining static loads applied in the directions permitted by the system of at least:

1. 3,000 lbs. (13.3 kN) for non-certified anchorages, or
2. Five times the foreseeable force for certified anchorages. When more than one rescue system is attached to an anchorage, the strengths set forth in (1) and (2) above shall be multiplied by the number of systems attached to the anchorage.

**E. CLIMBING:** The structure to which a climbing system is attached must sustain the loads required by that particular system. See instructions for climbing system for requirements.

**Figure 10 - Web Loop Connection**



### 3.0 DONNING AND USE

**WARNING:** Do not alter or intentionally misuse this equipment. Consult DBI-SALA when using this equipment in combination with components or subsystems other than those described in this manual. Some subsystem and component combinations may interfere with the operation of this equipment. Use caution when using this equipment around moving machinery, electrical and chemical hazards, and sharp edges.

**WARNING:** Consult your doctor if there is reason to doubt your fitness to safely absorb the shock from a fall arrest. Age and fitness seriously affect a worker's ability to withstand falls. Pregnant women or minors must not use any DBI-SALA full body harness.

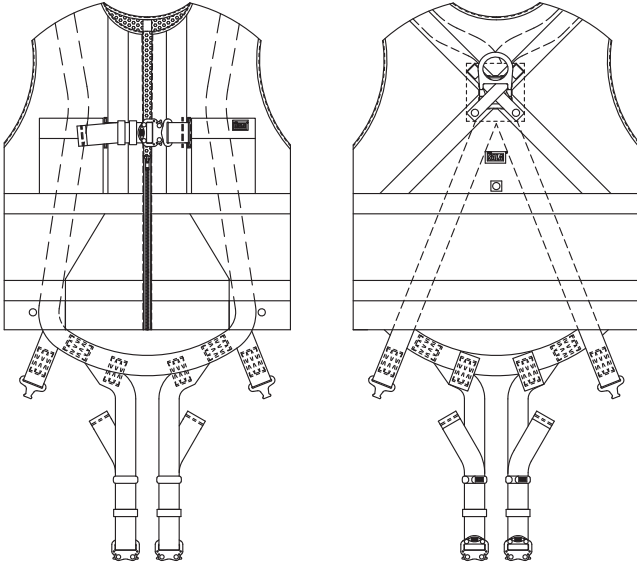
- 3.1 BEFORE EACH USE** of this equipment inspect it according to section 5.0 of this manual.
- 3.2 PLAN** your system before use. Consider all factors that will affect your safety during use of this equipment. The following list gives important points to consider when planning your system:
- A. ANCHORAGE:** Select an anchorage that meets the requirements specified in sections 1.2 and 2.5.
  - B. SHARP EDGES:** Avoid working where system components may be in contact with, or abrade against, unprotected sharp edges.
  - C. AFTER A FALL:** Components which have been subjected to the forces of arresting a fall must be removed from service and destroyed.
  - D. RESCUE:** The employer must have a rescue plan when using this equipment. The employer must have the ability to perform a rescue quickly and safely.



### 3.3 DONNING AND FITTING THE HARNESS:

- A. DELTA VEST™ HARNESS:** See Figure 11 for front and back views of the Delta Vest™ harness. Don the Delta Vest™ full body harness by following these steps (see Figures 12 and 13).

**Figure 11 - Front and Back View of Delta Vest™ Harness**



- Step 1.** Lift harness by the back D-ring and untangle straps. Allow leg straps to hang free.
- Step 2.** Don the Vest Harness as you would a jacket. Do not zip the vest at this time.
- Step 3.** Connect chest strap by passing male buckle through female buckle. Pass excess webbing through loop keepers. See Figure 13.
- Step 4.** Reach between legs and grasp blue leg strap on your left side. Bring strap up between legs and connect to buckle attached to yellow strap (orange on high visibility models, black on flame resistant models) as shown in Figures 12 and 13. Connect right leg strap.
- Step 5.** Reach inside the vest and adjust shoulder straps to a snug fit. Left and right shoulder straps should be adjusted to the same length. Readjust leg straps, chest strap, and shoulder straps as necessary to a snug fit.
- Step 6.** Zip the vest.

## Figure 12 - Donning the Delta Vest™ Harness

Delta Vest™ Harness



**Step 1**



**Step 2**



**Step 3**



**Step 4**



**Step 5**



**Step 6**

**Figure 13 - Delta Vest™ Harness Buckle Connections**



**Chest Strap:** Pass male buckle through female buckle and pull free end of webbing to tighten.



**Tongue Buckle:** Pass webbing through buckle and insert tongue through grommet.



**Parachute Buckle:** Pass webbing under buckle and over roller and down between roller and frame. Pull web end to tighten. Three inches of web must extend past buckle.

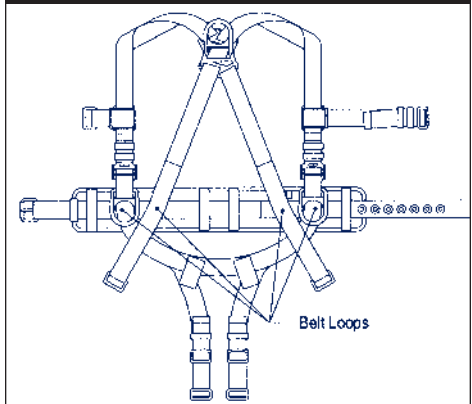


**Pass Buckle:** Pass male buckle through female buckle and pull free end of webbing to tighten.

## **B. VEST STYLE**

**HARNES:** If your harness incorporates loops for a removable waist belt, the belt should be installed through the four loops in the harness as shown in Figure 14. The hip pad, if used, is secured to the belt by passing the belt through the hip pad loops. Don the vest style full body harness by following these steps (see Figures 15 and 16):

**Figure 14 - Removable Waist Belt & Hip Pad**



- Step 1.** Locate back D-ring held in position by the D-ring pad; lift up harness and hold by this D-ring. Ensure the straps are not twisted.
- Step 2.** Grasp the shoulder straps and slip harness onto one arm. D-ring will be located on your back side. Ensure

**Figure 15 - Donning Vest Style Harness**



**Step 1**



**Step 2**



**Step 3**



**Step 4**



**Step 5**

## Figure 16 - Vest Style Harness Buckle Connections



**Chest Strap:** Pass male buckle through female buckle and pull free end of webbing to tighten.



**Chest Strap:** Attach chest strap by inserting the tab of the buckle into the receptor of the quick connect buckle until a click is heard.



**Parachute Buckle:** Pass webbing under buckle and over roller and down between roller and frame. Pull web end to tighten. Three inches of web must extend past buckle.



**Tongue Buckle:** Pass webbing through buckle and insert tongue through grommet.



**Pass Buckle:** Pass male buckle through female buckle and pull free end of webbing to tighten.



**Quick Connect Buckle:** Insert the tab of the buckle into the receptor of the quick connect buckle until a click is heard.

straps are not tangled and hang freely. Slip free arm into harness and position shoulder straps on top of shoulder. Ensure straps are not tangled and hang freely. Chest strap with pass through buckle will be positioned on front side when worn properly.

- Step 3.** Reach between your legs and grasp the leg strap on your left side. Bring the strap up between your legs and connect it by inserting the tab of the buckle into the receptor of quick connect buckle on the left side as shown in Figure 1. You will hear a click when the tab engages properly. Pull the free end of the strap away

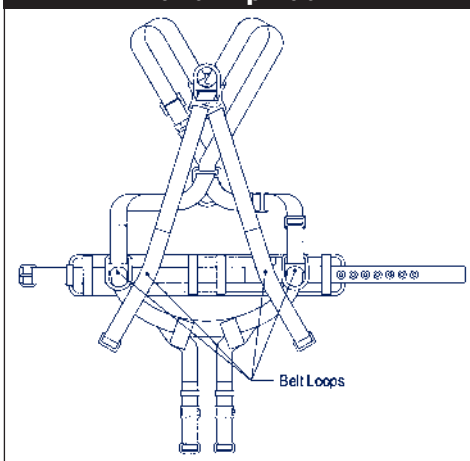
from the buckle to make a snug fit on each leg strap. To loosen the leg strap, grasp the yellow plastic portion of the buckle and pull away from your leg to allow the strap to pull through the buckle. A plastic end keeper on the end of the strap will stop it from pulling completely out of the buckle. To release the buckle, press the silver-colored tabs on the buckle towards each other with one hand, while pulling on the tab portion to the buckle with the other hand. Repeat this procedure for the right side.

**Step 4.** Attach the chest strap by inserting the tab of the buckle into receptor of quick connect buckle. See Figure 1. You will hear a click when the tab engages properly. Chest strap should be six inches down from the top of shoulders. Pass excess strap through the loop keepers. The strap may be tightened to a snug fit by pulling the free strap end to the left (away from the buckle). To loosen the chest strap, grasp the yellow plastic portion of the buckle and pull away from the body to allow the strap to pull through the buckle. A plastic end keeper on the end of the strap will stop it from pulling completely out of the buckle. To release the buckle, press the silver-colored tabs on the buckle towards each other with one hand, while pulling on the tab portion to the buckle with the other hand.

**Step 5.** Adjust shoulder straps to a snug fit by pulling excess strap through the parachute buckles on each side of the harness. Left and right sides of shoulder straps should be adjusted to the same length and the chest strap should be centered on your lower chest, six inches down from shoulder. The front D-ring on vest style harness is moved up or down by adjusting the shoulder straps and leg straps. Center the back D-ring between shoulder blades. Adjust leg straps to a snug fit. At least three inches of webbing must extend past buckle on leg straps. Adjust the waist belt (if present).

**C. CROSS-OVER STYLE HARNESS:** If your harness incorporates loops for a removable waist belt, the belt

**Figure 17 - Removable Waist Belt and Hip Pad**





**Figure 18 - Donning Cross-over Style Harness**



**Step 1**



**Step 2**



**Step 3**



**Step 4**



**Step 5**

should be installed through the four loops in the harness as shown in Figure 17. The hip pad, if used, is secured to the belt by passing the belt through the hip pad loops. Don the cross-over style full body harness by following these steps (see Figures 18 and 19):

- Step 1.** Locate back D-ring held in position by the D-ring pad; lift up harness and hold by this D-ring. Ensure the straps are not twisted.
- Step 2.** Grasp shoulder straps between back and front D-ring and slip harness over your head from the left side. Position shoulder straps on top of shoulder. Ensure straps are not tangled and hang freely. The D-ring will be positioned on your back when worn properly.
- Step 3.** Grasp male pass-through buckle located on yellow strap (orange on high visibility models, black on flame resistant models) below front D-ring and connect to female pass-through buckle (attached to blue or strap on right hip). Male end of buckle must pass through female end. Ensure straps are not tangled or crossed.
- Step 4.** Reach between legs and grasp blue leg strap on your

**Figure 19 - Cross-over Style Harness Buckle Connections**



**Tongue Buckle:** Pass webbing through buckle and insert tongue through grommet.



**Pass Buckle:** Pass male buckle through female buckle and pull end of webbing to tighten.



**Quick Connect Buckle:** Insert the tab of the buckle into the receptor of the quick connect buckle until a click is heard



**Parachute Buckle:** Pass webbing under buckle and over roller and down between roller and frame. Pull web end to tighten. Three inches of web must extend past buckle.



left side. Bring strap up between legs and connect to buckle attached to yellow strap (orange on high visibility models, black on flame resistant models). Connect right leg strap.

**Step 5.** Adjust shoulder straps to a snug fit. Left and right sides of shoulder straps should be adjusted to the same length and the front D-ring should be centered on your lower chest. The back D-ring should be centered between your shoulder blades. Adjust leg straps to a snug fit. At least three inches of webbing must extend past parachute adjuster buckle when used on leg straps. Adjust the waist belt (if present). Center retrieval D-rings (if present) on top of each shoulder.

**D. STEP-IN STYLE HARNESS:** Don the step-in style full body harness by following these steps (see Figures 20 and 21):

**Step 1.** Locate back D-ring held in position by the D-ring pad; lift up harness and hold by this D-ring. Ensure the straps are not twisted.

**Step 2.** Step into harness by placing right leg over the seat sling and then your left leg.

**Step 3.** Raise harness up and slip arms between front and back shoulder straps. Slip the back D-ring pad over your head with your head between the front shoulder straps and the adjuster links.

**Step 4.** Reach between legs and grasp blue leg strap on your left side. Bring strap up between legs and connect to buckle attached to yellow strap (orange on high visibility models, black on flame resistant models). Connect right leg strap.

**Step 5.** Tighten shoulder straps through adjuster links and front D-ring. Adjustment slack should be given out or taken up through the buckle on the lower left shoulder strap. Left and right shoulder straps should be adjusted to the same length, and the front D-ring should be centered on your lower chest. The back D-ring should be centered between your shoulder blades. Adjust leg straps to a snug fit.

### **3.4 USE OF FALL ARREST D-RING OR ATTACHMENT ELEMENT:**

For fall protection applications connect to the D-ring or attachment element on your back, between your shoulder blades. Side D-rings, if present, are for positioning or restraint applications only. Shoulder retrieval D-rings are for rescue or retrieval applications only. Front D-ring is for ladder climbing or positioning. D-rings on seat sling are for suspension or positioning applications only.

**Figure 20 - Donning Step-in Style Harness**



**Step 1**



**Step 2**



**Step 3**



**Step 4**



**Step 5**

**Figure 21 - Step-in Style Harness Buckle Connections**



**Tongue Buckle:** Pass webbing through buckle and insert tongue through grommet.



**Pass Buckle:** Pass male buckle through female buckle and pull free end of webbing to tighten.



**Parachute Buckle:** Pass webbing under buckle and over roller and down between roller and frame. Pull web end to tighten. Three inches of web must extend past buckle.

**3.5 MAKING CONNECTIONS:** When using a hook to connect to an anchorage or when coupling components of the system together, ensure roll-out cannot occur. Roll-out occurs when interference between the hook and mating connector causes the hook gate to unintentionally open and release. Self-locking snap hooks and carabiners should be used to reduce the possibility of roll-out. Do not use hooks or connectors that will not completely close over the attachment object. See subsystem manufacturer's instructions for more information on making connections.

**3.6 CONNECTING SYSTEM COMPONENTS:** After fitting the full body harness the user may then connect to other system components. Follow the guidelines in section 3.4 on selecting the correct attachment element.

## **4.0 TRAINING**

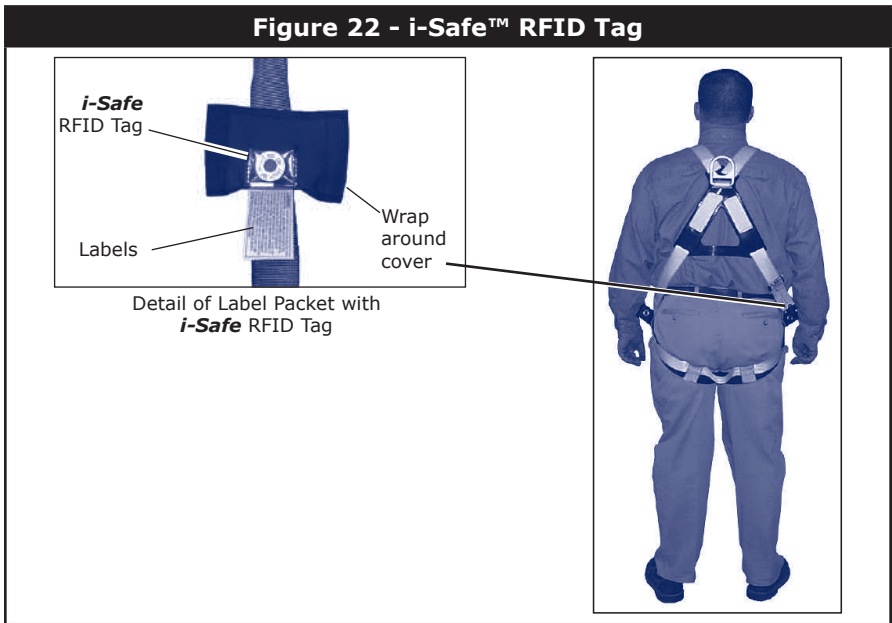
**4.1** It is the responsibility of the user and the purchaser of this equipment to assure that they are familiar with these instructions, trained in the correct care and use of, and are aware of the operating characteristics, application limits, and the consequences of improper use of this equipment.

**IMPORTANT:** Training must be conducted without exposing the user to a fall hazard. Training should be repeated on a periodic basis.

## 5.0 INSPECTION

**5.1** The i-Safe™ RFID tag on this harness can be used in conjunction with the i-Safe handheld reading device and the web based portal to simplify inspection and inventory control and provide records for your fall protection equipment See Figure 22.

**5.2 FREQUENCY:** Before each use inspect the full body harness according to sections 5.3 and 5.4. The harness must be inspected by a competent person, other than the user, at least annually. Record the results of each formal inspection in the inspection and maintenance log in section 9.0, or use the i-Safe™ inspection web portal to maintain your inspection records. If you are a first-time user, contact a Customer Service representative in the US at 800-328-6146 or in Canada at 800-387-7484 or if you have already registered, go to: [www.capitalsafety.com/isafe.html](http://www.capitalsafety.com/isafe.html). Follow instructions provided with your i-Safe handheld reader or on the web portal to transfer your data to your web log.



**IMPORTANT:** If the full body harness has been subjected to fall arrest or impact forces it must be immediately removed from service and destroyed.

**IMPORTANT:** Extreme working conditions (harsh environments, prolonged use, etc.) may require increasing the frequency of inspections.

### 5.3 INSPECTION STEPS:

**Step 1.** Inspect harness hardware (buckles, D-rings, back pad, loop keepers); These items must not be damaged, broken, distorted, and must be free of sharp edges, burrs, cracks, worn parts, or corrosion. PVC coated hardware must be free of cuts, rips, tears, holes, etc. in the coating to ensure non-conductivity. Ensure buckles work smoothly. If present, inspect the quick connect buckles by ensuring that the release tabs work freely and that a click is heard when the buckle engages. Inspect parachute buckle spring.

**Step 2.** Inspect webbing; material must be free of frayed, cut, or broken fibers. Check for tears, abrasions, mold, burns, or discoloration. Inspect stitching; Check for pulled or cut stitches. Broken stitches may be an indication that the harness has been impact loaded and must be removed from service.

***IMPORTANT:*** On Delta Vest™ harnesses, inspection should include the webbing inside the vest.

**Step 3.** Inspect labels; All labels should be present and fully legible. See section 8.0.

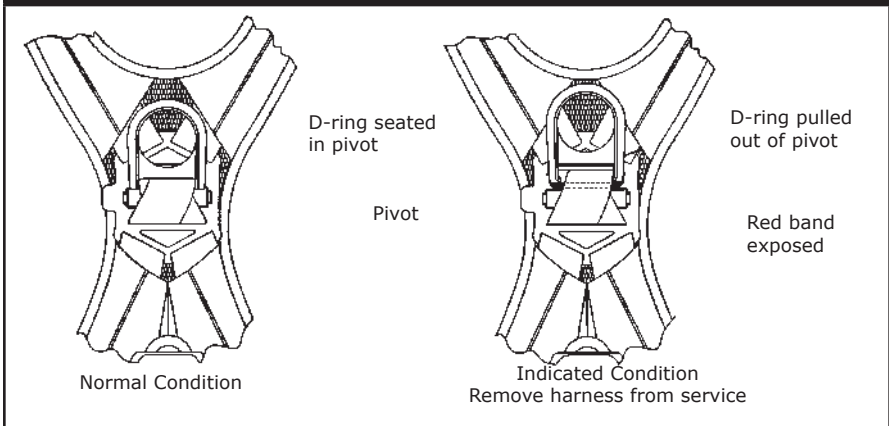
**Step 4.** Inspect each system component or subsystem according to manufacturer's instructions.

**Step 5. Impact Indicators:** Fall arrest impact indicators give a permanent, readily visible warning if the harness has arrested a fall (or has been subjected to an equivalent force). Impact indicators must be inspected before each use. If the impact indicator has been activated the harness must be removed from service and destroyed. Each harness includes one of the following built-in fall arrest impact indicators:

*Stitched impact indicator:* The stitched impact indicator is a section of webbing that is lapped back on itself and secured with a specific stitch pattern holding the lap. The stitch pattern is designed to release when the harness arrests a fall or has been subjected to an equivalent force.

*Dorsal D-ring impact indicator:* The dorsal D-ring indicator (Figure 23) consists of a D-ring which is fitted into a plastic housing. This is designed so that the D-ring will be released from the housing exposing a red impact indication label when the harness arrests a fall or has been subjected to an equivalent force.

**Figure 23 - Impact Indicator**



- Step 6.** Record the inspection date and results in the inspection and maintenance log in section 9.0, or use the i-Safe™ inspection web portal.

**NOTE:** Some harnesses are equipped with a "stand up D-ring" in the dorsal (back) D-ring location. If the spring in the D-ring is damaged or lost and the D-ring no longer stands up, this does not compromise the harness integrity. As long as the D-ring passes inspection criteria in Step 1, it is safe to use.

- 5.4** If inspection reveals a defective condition, remove unit from service immediately and destroy.

**NOTE:** Only DBI-SALA or parties authorized in writing may make repairs to this equipment.

- 5.5 PRODUCT LIFE:** The functional life of DBI-SALA harnesses is determined by work conditions and maintenance. As long as the product passes inspection criteria, it may remain in service.

## **6.0 MAINTENANCE, SERVICING, STORAGE**

### **6.1 WASHING INSTRUCTIONS:**

**A. FULL BODY HARNESS:** Clean full body harness with water and a mild soap solution. Do not use bleach or bleach solutions. Wipe off hardware with a clean, dry cloth, and hang to air dry. Do not force dry with heat. An excessive buildup of dirt, paint, etc. may prevent the full body harness from working properly, and in severe cases degrade the webbing to a point where it weakens and should be removed from service. More information on cleaning is available from DBI-SALA. If you have questions concerning the condition of your harness, or have any doubt about putting it into service contact DBI-SALA.

### **B. FIRE RESISTANT PADDING:**

- Remove pads from harness for laundering. Place the harness in the supplied laundry bag. The bag is designed to prevent entanglement of harness and to protect the washing machine from damage. Use of the laundry bag to wash the pads is optional.
- Launder flame resistant pads separately from harness or other non-flame resistant garments. Lint from other garments may affect flame resistance.
- Use a bleach-free detergent when washing both the harness and the pads. Do not use soap; soap may leave a residue which could affect flame resistance.
- Do not use chlorine bleach. Bleach may weaken fabric and reduce product life.
- Oily or greasy stains may be pre-treated and washed in hot water 140°F max (60°C max).
- Use delicate, permanent press, or cotton sturdy wash cycle with cold or warm water. Hot water can be used on heavily soiled items as long as it does not exceed 140°F (60°C). Use extra rinse cycle to be sure all residual wash chemicals are removed.
- Air dry or tumble dry using permanent press cycle and low heat. Drying temp should not exceed 200°F (93°C). These fabrics dry quickly, for lowest shrinkage, do not over dry.

**6.2** Additional maintenance and servicing procedures must be completed by a factory authorized service center. Authorization must be in writing. Do not attempt to disassemble the unit.

**6.3** Store full body harnesses in a cool, dry, clean environment out of direct sunlight. Avoid areas where chemical vapors may exist. Thoroughly inspect the full body harness after extended storage.

## **7.0 SPECIFICATIONS**

### **7.1 PERFORMANCE**

**Maximum Free Fall Distance:** No greater than 6 feet (1.8 m), per federal law and ANSI Z359.1.

**Maximum Arresting Force:** 1,800 lbs. (8 kN)

**Capacity:** 420 lbs. (191 kg)

**Approximate Weight:**

Harness only: 3 lbs. (1.4.kg)

Harness with Side D-rings: Add 1/2 lb. (.23 kg)

Harness with Back Pad or Belt: Add 1 lb. (.45 kg)

**Cross-over Style Harness Patent numbers:**

United States: 5,203,829

Canada: 2,080,643

All harnesses, excluding Kevlar harnesses, meet ANSI Z359.1 and OSHA requirements.

### **7.1 MATERIALS**

**Standards:** All harnesses marked with ASTM F887-2004 meet all testing requirements of the standard.

**Webbing Materials:** 7000 lbs. Tensile strength Nylon  
7000 lbs. Tensile strength Nomex\* covered Kevlar\*

**Pad and Label Cover Materials:**

- All outer fabric is Nomex and Kevlar blend fabric
- Fire resistant hook and loop fasteners





**Optional Accessories:**

- Hip Pad with side D-rings
- Nomex covered Kevlar webbing
- Non-sparking/ Non-conductive PVC coated hardware
- Arc-rated hip, leg, and back pads
- Polyurethane coated, arc-rated dorsal web loop



# 8.0 LABELING

## 8.1 The following labels must be present and completely legible:

| ANSI   | CSA  |
|--|--|
|  <p data-bbox="178 443 458 467">RFID Serial Number Label</p>  |  <p data-bbox="686 443 845 467">Étiquette RFID</p>  |
|  <p data-bbox="263 621 373 646">Size Label</p>  |  <p data-bbox="671 621 862 646">Étiquette de taille</p>   |
| <p data-bbox="160 719 176 789" style="writing-mode: vertical-rl; transform: rotate(180deg);">9502142 REV B</p> <div data-bbox="139 667 497 841"> <p><b>⚠ WARNING</b> MANUFACTURER'S INSTRUCTIONS MUST BE READ AND UNDERSTOOD PRIOR TO USE. INSTRUCTIONS SUPPLIED WITH THIS PRODUCT AT TIME OF SHIPMENT MUST BE FOLLOWED. FAILURE TO DO SO COULD RESULT IN SERIOUS INJURY OR DEATH. CONTACT DBI/SALA IF INSTRUCTION SHEET IS NEEDED. INSPECT BEFORE EACH USE. DO NOT USE IF WEAR OR DAMAGE IS PRESENT. THIS BODY HARNESS IS INTENDED TO BE USED TO ARREST THE MOST SEVERE FREE FALLS. ITEMS SUBJECT TO FALL ARREST OR IMPACT FORCES MUST BE IMMEDIATELY REMOVED FROM SERVICE AND DESTROYED. CONNECTIONS SNAPS AND D-RINGS MUST BE COMPATIBLE IN SIZE, SHAPE AND STRENGTH. THIS ITEM IS NOT FLAME OR HEAT RESISTANT. REPAIRS ONLY TO BE PERFORMED BY DBI/SALA. EQUIPMENT MODIFICATION OR MISUSE VOIDS WARRANTY.</p> </div> <div data-bbox="139 862 497 1036"> <p><b>DBI</b><br/><b>SALA</b></p> <p>BODY HARNESS.<br/>CAPACITY: 310 LBS.<br/>NYLON WEB</p> <p>DBI/SALA<br/>3965 PEPIN AVENUE<br/>MEO MING, MN 55066<br/>(800) 328-6146</p> <p>DO NOT REMOVE THIS LABEL.<br/>MADE IN THE U.S.A.</p> </div> <p data-bbox="125 1044 511 1092">Warning Label Used on Nylon ASTM F887-2004 Compliant Harnesses</p> | <p data-bbox="596 719 612 789" style="writing-mode: vertical-rl; transform: rotate(180deg);">9502107 REV C</p> <div data-bbox="575 667 948 841"> <p><b>⚠ WARNING/AVERTISSEMENT !</b> Any unit which has seen a fall-arresting event should not be used after such an event. Before use, read and understand all labels and separate instructions. Failure to do so could result in serious injury or death. Contact Capital Safety for written instructions in French, Spanish or Chinese. Inspect before each use. If wear or damage is present, do not use. This body harness is intended to be used to arrest the most severe falls. Connecting snaps and D-rings must be compatible in size, shape and strength. Repairs only to be performed by Capital Safety Group. Equipment modification or misuse voids warranty. On ne doit pas utiliser un appareil après qu'il a subi à enlever une chute. Avant de l'utiliser, on doit lire et observer les instructions sur toutes les étiquettes et dans les autres documents. Inspecter de la faire pour assurer des mesures graves, voire mortelles. Communiquer avec Capital Safety si on a besoin d'une autre instruction. Inspecter avant chaque utilisation. Si il y a des dommages dus à de fautes, ne pas utiliser. Ce harnais de sécurité est destiné à être utilisé pour arrêter les chutes. Le remplacement et l'entretien au D ou à des autres est compatible en taille, forme et résistance. Les réparations doivent être effectuées seulement par le Capital Safety Group. Une modification ou un usage abusif de l'équipement annule la garantie.</p> </div> <div data-bbox="575 862 948 1036"> <p><b>DBI</b><br/><b>SALA</b></p> <p>BODY HARNESS/Harnais de sécurité<br/>NYLON WEB/Sangle: Nylon<br/>SIZE /GRANDEUR: SEE LABEL<br/>DO NOT REMOVE THIS LABEL/<br/>Ne pas enlever cette étiquette<br/>MEETS ASTM F887-05</p> <p>www.capitalsafety.com<br/>(800) 328-6146<br/>MADE IN CANADA</p> <p>HARNES CLASSIFICATION/<br/>Classe de Harnais</p> <p>CSA STANDARD Z259.10-06</p> </div> <p data-bbox="557 1044 976 1092">Étiquette de mise en garde du harnais de nylon</p>                  |
| <p data-bbox="160 1169 176 1239" style="writing-mode: vertical-rl; transform: rotate(180deg);">9502143 REV C</p> <div data-bbox="139 1117 497 1291"> <p><b>⚠ WARNING</b> MANUFACTURER'S INSTRUCTIONS MUST BE READ AND UNDERSTOOD PRIOR TO USE. INSTRUCTIONS SUPPLIED WITH THIS PRODUCT AT TIME OF SHIPMENT MUST BE FOLLOWED. FAILURE TO DO SO COULD RESULT IN SERIOUS INJURY OR DEATH. CONTACT DBI/SALA IF INSTRUCTION SHEET IS NEEDED. INSPECT BEFORE EACH USE. DO NOT USE IF WEAR OR DAMAGE IS PRESENT. THIS BODY HARNESS IS INTENDED TO BE USED TO ARREST THE MOST SEVERE FREE FALLS. ITEMS SUBJECT TO FALL ARREST OR IMPACT FORCES MUST BE IMMEDIATELY REMOVED FROM SERVICE AND DESTROYED. CONNECTIONS SNAPS AND D-RINGS MUST BE COMPATIBLE IN SIZE, SHAPE AND STRENGTH. REPAIRS ONLY TO BE PERFORMED BY DBI/SALA. EQUIPMENT MODIFICATION OR MISUSE VOIDS WARRANTY.</p> </div> <div data-bbox="139 1312 497 1485"> <p><b>DBI</b><br/><b>SALA</b></p> <p>BODY HARNESS.<br/>CAPACITY: 310 LBS<br/>NOMEX/KEVLAR WEB</p> <p>www.capitalsafety.com<br/>(800) 328-6146</p> <p>DO NOT REMOVE THIS LABEL.<br/>MADE IN THE U.S.A.</p> </div> <p data-bbox="114 1494 526 1542">Warning Label Used on Nomex/Kevlar ASTM F887-2004 Compliant Harnesses</p>   | <p data-bbox="596 1169 612 1239" style="writing-mode: vertical-rl; transform: rotate(180deg);">9502109 REV A</p> <div data-bbox="575 1117 948 1291"> <p><b>⚠ WARNING/AVERTISSEMENT !</b> Any unit which has seen a fall-arresting event should not be used after such an event. Before use, read and understand all labels and separate instructions. Failure to do so could result in serious injury or death. Contact DBI/SALA if instruction sheet is needed. Inspect before each use. Do not use if wear or damage is present. This body harness is intended to be used to arrest the most severe falls. Connecting snaps and D-rings must be compatible in size, shape and strength. Repairs only to be performed by DBI/SALA. Equipment modification or misuse voids warranty. On ne doit pas utiliser un appareil après qu'il a subi à enlever une chute. On doit lire et comprendre les instructions du fabricant avant d'utiliser le produit. On doit observer les instructions bilingues au moment de l'utilisation. Inspecter de la faire pour assurer des mesures graves, voire mortelles. Communiquer avec DBI/SALA si on a besoin d'une autre instruction. Inspecter avant chaque utilisation. Ne pas utiliser si il y a de fautes ou des dommages. Ce harnais de sécurité est destiné à être utilisé pour arrêter les chutes. Le remplacement et l'entretien au D ou à des autres est compatible en taille, forme et résistance. Les réparations doivent être effectuées seulement par DBI/SALA. Une modification ou un usage abusif de l'équipement annule la garantie.</p> </div> <div data-bbox="575 1312 948 1485"> <p><b>DBI</b><br/><b>SALA</b></p> <p>Full Body Harness<br/>Harnais de sécurité<br/>Nomex/Kevlar web<br/>Sangle en Nomex/Kevlar<br/>Size: See Label<br/>Grandeur: Voir étiquette</p> <p>Do not remove label<br/>Ne pas enlever cette étiquette</p> <p>www.capitalsafety.com<br/>USA: (800) 328-6146<br/>Canada: (800) 387-7484</p> <p>Harness classification:<br/>Classe de harnais:</p> <p>CSA STANDARD Z259.10</p> </div> <p data-bbox="564 1494 969 1542">Étiquette de mise en garde du harnais Nomex ou Kevlar</p> |

ANSI

CSA

**⚠ WARNING** MANUFACTURER'S INSTRUCTIONS MUST BE READ AND UNDERSTOOD PRIOR TO USE. INSTRUCTIONS SUPPLIED WITH THIS PRODUCT AT TIME OF SHIPMENT MUST BE FOLLOWED. FAILURE TO DO SO COULD RESULT IN SERIOUS INJURY OR DEATH. CONTACT DBI-SALA IF INSTRUCTION SHEET IS NEEDED. INSPECT BEFORE EACH USE. DO NOT USE IF WEAR OR DAMAGE IS PRESENT. THIS BODY HARNESS IS INTENDED TO BE USED TO ARREST THE MOST SEVERE FREE FALLS. ITEMS SUBJECT TO FALL ARREST OR IMPACT FORCES MUST BE IMMEDIATELY REMOVED FROM SERVICE AND DESTROYED. CONNECTING SNAP AND D-RING MUST BE COMPATIBLE IN SIZE, SHAPE, AND STRENGTH. THIS ITEM IS NOT FLAME OR HEAT RESISTANT. REPAIRS ONLY TO BE PERFORMED BY DBI-SALA. EQUIPMENT MODIFICATION OR MISUSE VOID'S WARRANTY.

590340 Rev. C



www.capitalsafety.com  
USA: (800) 328-6146

DO NOT REMOVE LABEL.  
MADE IN XXXX

BODY HARNESS  
POLYESTER WEB

CAPACITY: 420 LBS.

**⚠ WARNING**  
DO NOT EXCEED CAPACITY OF THIS OR OTHER SYSTEM COMPONENTS. CAPACITY IS THE COMBINED WEIGHT FOR WHICH THE COMPONENT IS DESIGNED TO BE USED. COMBINED WEIGHT INCLUDES THE USER'S BODY WEIGHT, CLOTHING, TOOLS, AND ANY OBJECTS CARRIED. CONTACT DBI-SALA FOR MORE INFORMATION

**⚠ WARNING** MANUFACTURER'S INSTRUCTIONS MUST BE READ AND UNDERSTOOD PRIOR TO USE. INSTRUCTIONS SUPPLIED WITH THIS PRODUCT AT TIME OF SHIPMENT MUST BE FOLLOWED. FAILURE TO DO SO COULD RESULT IN SERIOUS INJURY OR DEATH. CONTACT CAPITAL SAFETY IF INSTRUCTION SHEET IS NEEDED. INSPECT BEFORE EACH USE. REMOVE FROM SERVICE AFTER FALL ARREST. REMOVE FROM SERVICE IF WEAR DAMAGES ARE PRESENT DURING INSPECTION. MAKE ONLY COMPATIBLE CONNECTIONS. DO NOT ALTER OR REPAIR HARNESS.

590272 REV B

**⚠ AVERTISSEMENTS** LES INSTRUCTIONS DU FABRICANT DOIVENT ÊTRE LUES ET COMPRIS PRÉALABLEMENT À L'UTILISATION. LES INSTRUCTIONS FOURNIES AVEC CE PRODUIT AU MOMENT DE L'ÉDITION DOIVENT ÊTRE SUIVIES. NE GLIGNEZ PAS LES RECOMMANDATIONS POUR ÉVITER DES BLESSURES GRAVES, VOSRE MORTÉLLES. CONTACTER CAPITAL SAFETY EN CAS DE BÉSONN DE NOTICE. INSPECTER AVANT CHAQUE UTILISATION. METTRE HORS SERVICE APRÈS L'ARRÊT D'UNE CHUTE. METTRE HORS SERVICE SI L'INSPECTION RÉVÈLE DES DOMMAGES DUS À L'USURE. EFFECTUER SEULEMENT DES RÉPARATIONS COMPATIBLES. NE PAS MODIFIER OU RÉPARER LE HARNAIS.



www.capitalsafety.com  
(800) 328-6146  
MADE IN CANADA.

BODY HARNESS/Harnais de sécurité  
POLYESTER WEB/Sangle polyester  
SIZE/GRADEUR: SEE LABEL  
DO NOT REMOVE THIS LABEL/  
Ne pas enlever cette étiquette  
METS L'ASTM F887-05

HARNESS CLASSIFICATION/  
Classe de Harnais



CSA STANDARD Z259.1-06

Warning Label

Vignette de mise en garde

USER IDENTIFICATION/  
MARK LABEL WITH  
PERMANENT MARKER

A - BACK D-RING IS FOR FALL ARREST AND RESCUE.  
B - FRONT D-RING (IF PRESENT) IS FOR POSITIONING, LADDER CLIMBING, OR FALL ARREST (2 FT. MAXIMUM FREEFALL). USE SELF-LOCKING SNAPS ONLY.  
C - SIDE D-RINGS (IF PRESENT) ARE FOR POSITIONING.  
D - SHOULDER D-RINGS (IF PRESENT) ARE FOR RESCUE ONLY. DO NOT USE FOR OTHER PURPOSES. USE SELF-LOCKING SNAPS ONLY.

SEE INSTRUCTIONS FOR MORE DETAILS.  
U.S. PATENT NO. 6,688,434  
590301 REV B

Instruction Label (Vest Style)

1 FALL ARREST, CLASSE A, NE PAS RÉPARER LES CHÈVRES / CLASS A (CLASSE A) (NON RÉPARER)  
2 CLIMBERING, CLASSE A (NON RÉPARER) / CLASSE A (CLASSE A) (NON RÉPARER)  
3 POSITIONING, CLASSE B (NON RÉPARER) / CLASSE B (CLASSE B) (NON RÉPARER)  
4 RESCUE, CLASSE C (NON RÉPARER) / CLASSE C (CLASSE C) (NON RÉPARER)  
5 RESTRAINT, CLASSE D (NON RÉPARER) / CLASSE D (CLASSE D) (NON RÉPARER)

590330 REV C

USER IDENTIFICATION/  
MARK LABEL WITH  
PERMANENT MARKER

A - FRONT D-RING (IF PRESENT) IS FOR POSITIONING, LADDER CLIMBING, OR FALL ARREST (2 FT. MAXIMUM FREEFALL).  
B - BACK D-RING IS FOR FALL ARREST AND RESCUE.  
C - SIDE D-RINGS (IF PRESENT) ARE FOR POSITIONING.

SEE INSTRUCTIONS FOR MORE DETAILS.  
U.S. PAT. NO. RE35,028  
CAN. PAT. NO. 2,080,643.  
590307 REV B

Instruction Label (Cross-Over Style)

USER IDENTIFICATION/  
IDENTIFICATION DE L'UTILISATEUR  
MARQUER AVEC UN PERMANENT  
MARKER/MARQUER ÉTENDUEMENT  
DURABLE/PERMANENT.

Étiquette couverture

# ANSI

950300 REV A

**PRODUCT COMPLIANCE**  
 THIS PRODUCT COMPLIES WITH THE FOLLOWING STANDARDS ONLY IF MARKED WITH THE CORRESPONDING LETTER CODE UNDER "STDS" SECTION BELOW.  
 A = ANSI Z359.1      B = OSHA  
 C = ANSI A10.32-2004      D = ASTM F887-2005  
 E = ANSI Z359.3      F = ANSI Z359.4

MFRD.(YR/MO):      LOT:      MODEL NO.:      STDS:

SERIAL NO.: SEE RFID TAG IN CLEAR POUCH

|         |  |  |  |  |  |  |  |  |  |
|---------|--|--|--|--|--|--|--|--|--|
| INITIAL |  |  |  |  |  |  |  |  |  |
| DATE    |  |  |  |  |  |  |  |  |  |

**INSPECTION LOG**      DO NOT REMOVE THIS LABEL

Inspection Label

# CSA

950300S REV A

**INSPECTION LOG**  
 RELEVÉ D'INSPECTION

SERIAL NO./NUMÉRO DE SÉRIE:  
 SEE RFID TAG IN CLEAR POUCH  
 VOIR ÉTIQUETTE DE RFID  
 DANS LA POUCHÉ TRANSPARENT

|         |  |  |  |  |  |  |  |  |  |
|---------|--|--|--|--|--|--|--|--|--|
| INITIAL |  |  |  |  |  |  |  |  |  |
| DATE    |  |  |  |  |  |  |  |  |  |

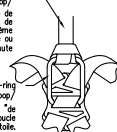
MFRD./LOT/FABR. LOT:  
 (YR/MO)/(AAMM)      MODEL NO./MODÈLE

950300S/REV A/CSA  
 950300S/REV A/CSA

Vignette d'inspection

9507096 Rev F

Fall arrest or restraint system connecting web loop/  
 Boucle de raccordement de toile de système de retenue ou d'arrêt de chute



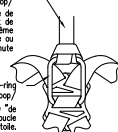
Harness, D-ring or Web Loop/  
 Boucle en "D" de harnais ou boucle de toile.

**▲ WARNING/AVERTISSEMENT!**  
 Only compatible connections may be made with web loops. Snap hooks (both self locking and non-locking types) connected into web loops may result in inadvertent disengagement. Refer to separate instructions for further details. Failure to follow these instructions may result in serious injury or death. Do not remove label.  
 Seuls des connexions compatibles doivent être faites avec les boucles de toile. Un maquetage (de type avec ou sans verrou) rattaché à une boucle de toile pourrait se désengager par inadvertance. Pour plus de détails, référez vous aux instructions. Ne pas vous conformer à ces instructions pourrait causer des blessures graves ou la mort. Ne pas retirer l'étiquette.

Web Loop Harness Label

9507096 Rev F

Fall arrest or restraint system connecting web loop/  
 Boucle de raccordement de toile de système de retenue ou d'arrêt de chute



Harness, D-ring or Web Loop/  
 Boucle en "D" de harnais ou boucle de toile.

**▲ WARNING/AVERTISSEMENT!**  
 Only compatible connections may be made with web loops. Snap hooks (both self locking and non-locking types) connected into web loops may result in inadvertent disengagement. Refer to separate instructions for further details. Failure to follow these instructions may result in serious injury or death. Do not remove label.  
 Seuls des connexions compatibles doivent être faites avec les boucles de toile. Un maquetage (de type avec ou sans verrou) rattaché à une boucle de toile pourrait se désengager par inadvertance. Pour plus de détails, référez vous aux instructions. Ne pas vous conformer à ces instructions pourrait causer des blessures graves ou la mort. Ne pas retirer l'étiquette.

Étiquette de harnais de boucle de Web

## 9.0 INSPECTION AND MAINTENANCE LOG

**SERIAL NUMBER:** \_\_\_\_\_

**MODEL NUMBER:** \_\_\_\_\_

**DATE PURCHASED:** \_\_\_\_\_ **DATE FIRST USED:** \_\_\_\_\_

| INSPECTION DATE    | INSPECTION ITEMS NOTED | CORRECTIVE ACTION | MAINTENANCE PERFORMED |
|--------------------|------------------------|-------------------|-----------------------|
|                    |                        |                   |                       |
| Approved By: _____ |                        |                   |                       |
|                    |                        |                   |                       |
| Approved By: _____ |                        |                   |                       |
|                    |                        |                   |                       |
| Approved By: _____ |                        |                   |                       |
|                    |                        |                   |                       |
| Approved By: _____ |                        |                   |                       |
|                    |                        |                   |                       |
| Approved By: _____ |                        |                   |                       |
|                    |                        |                   |                       |
| Approved By: _____ |                        |                   |                       |
|                    |                        |                   |                       |
| Approved By: _____ |                        |                   |                       |
|                    |                        |                   |                       |
| Approved By: _____ |                        |                   |                       |
|                    |                        |                   |                       |
| Approved By: _____ |                        |                   |                       |
|                    |                        |                   |                       |
| Approved By: _____ |                        |                   |                       |
|                    |                        |                   |                       |
| Approved By: _____ |                        |                   |                       |
|                    |                        |                   |                       |
| Approved By: _____ |                        |                   |                       |
|                    |                        |                   |                       |
| Approved By: _____ |                        |                   |                       |

This instruction applies to the following models:

|         |          |         |          |         |
|---------|----------|---------|----------|---------|
| 1100092 | 1101116  | 1101439 | 1101643  | 1101797 |
| 1100181 | 1101117  | 1101440 | 1101644  | 1101798 |
| 1100195 | 1101118  | 1101441 | 1101645  | 1101800 |
| 1100230 | 1101119  | 1101450 | 1101646  | 1101801 |
| 1100231 | 1101120  | 1101451 | 1101647  | 1101802 |
| 1100232 | 1101121  | 1101452 | 1101649  | 1101803 |
| 1100233 | 1101214  | 1101453 | 1101650  | 1101804 |
| 1100245 | 1101215  | 1101455 | 1101651  | 1101805 |
| 1100246 | 1101216  | 1101456 | 1101653  | 1101806 |
| 1100247 | 1101217  | 1101457 | 1101654  | 1101807 |
| 1100299 | 1101218  | 1101458 | 1101654H | 1101808 |
| 1100406 | 1101219  | 1101459 | 1101655  | 1101809 |
| 1100482 | 1101240  | 1101460 | 1101655H | 1101810 |
| 1100520 | 1101241  | 1101461 | 1101656  | 1101812 |
| 1100521 | 1101250  | 1101462 | 1101656H | 1101813 |
| 1100522 | 1101251  | 1101463 | 1101657  | 1101814 |
| 1100540 | 2104180  | 1101464 | 1101658  | 1101815 |
| 1100541 | 1101252  | 1101465 | 1101659  | 1101816 |
| 1100542 | 1101252H | 1101466 | 1101660  | 1101817 |
| 1100543 | 1101253  | 1101467 | 1101661  | 1101818 |
| 1100550 | 1101253H | 1101468 | 1101662  | 1101819 |
| 1100675 | 1101254  | 1101469 | 1101663  | 1101820 |
| 1100676 | 1101254H | 1101470 | 1101664  | 1101821 |
| 1100700 | 1101255  | 1101471 | 1101665  | 1101822 |
| 1100701 | 1101255H | 1101472 | 1101666  | 1101823 |
| 1100702 | 1101256  | 1101473 | 1101667  | 1101824 |
| 1100703 | 1101257  | 1101474 | 1101668  | 1101826 |
| 1100726 | 1101258  | 1101511 | 1101669  | 1101827 |
| 1100727 | 1101259  | 1101512 | 1101670  | 1101828 |
| 1100750 | 1101260  | 1101513 | 1101671  | 1101829 |
| 1100756 | 1101261  | 1101514 | 1101672  | 1101830 |
| 1100762 | 1101262  | 1101515 | 1101673  | 1101831 |
| 1100767 | 1101266  | 1101516 | 1101776  | 1101832 |
| 1100768 | 1101267  | 1101611 | 1101777  | 1101833 |
| 1100769 | 1101268  | 1101625 | 1101778  | 1101834 |
| 1100775 | 1101269  | 1101626 | 1101779  | 1101835 |
| 1100776 | 1101270  | 1101627 | 1101780  | 1101836 |
| 1100777 | 1101271  | 1101628 | 1101781  | 1101837 |
| 1100778 | 1160008  | 1101629 | 1101782  | 1101838 |
| 1100779 | 1101272  | 1101630 | 1101783  | 1101839 |
| 1100780 | 1101273  | 1101631 | 1101784  | 1101840 |
| 1100781 | 1101274  | 1101632 | 1101785  | 1101841 |
| 1100840 | 1101340  | 1101633 | 1101786  | 1101842 |
| 1100841 | 1101341  | 1101634 | 1101787  | 1101843 |
| 1100842 | 1101420  | 1101635 | 1101789  | 1101844 |
| 1100925 | 1101421  | 1101636 | 1101790  | 1101845 |
| 1100926 | 1101422  | 1101637 | 1101791  | 1101851 |
| 1100927 | 1101423  | 1101638 | 1101792  | 1101854 |
| 1100928 | 1101424  | 1101639 | 1101793  | 1101855 |
| 1100929 | 1101436  | 1101640 | 1101794  | 1101856 |
| 1101021 | 1101437  | 1101641 | 1101795  | 1101857 |
| 1101022 | 1101438  | 1101642 | 1101796  | 1101858 |

|          |             |          |             |            |
|----------|-------------|----------|-------------|------------|
| 1101859  | 6116605     | 1102286  | 1102926     | 1103359    |
| 1101860  | 6116606     | 1102525  | 1102927     | 1103360    |
| 1101861  | 1102010ALT1 | 1102526  | 1102928     | 1103361    |
| 1101862  | 1102010     | 1102526H | 1102929     | 1103375    |
| 1101863  | 1170002     | 1102527  | 1102930     | 1103376    |
| 1101864  | 1170003     | 1102528  | 1102950     | 1103377    |
| 1101866  | 6100771     | 1102529  | 1102951     | 1103378    |
| 1101867  | 6100772     | 1102529H | 1102952     | 1103379    |
| 1101869  | 6100776     | 1102530  | 1102953     | 1103383    |
| 1101870  | 6100777     | 1102531  | 1102954     | 1103384    |
| 1101871  | 6116604     | 1102532  | 1102955     | 1103385    |
| 1101872  | 6116605     | 1102533  | 1102956     | 1103386    |
| 1101873  | 6116606     | 1102534  | 1102957     | 1103393    |
| 1101874  | 6116607     | 1102536  | 1102962     | 1103394    |
| 1101890  | 6116609     | 1102537  | 1102963     | 1103395    |
| 1101891  | 6116610     | 1102538  | 1102964     | 1103510    |
| 1101892  | 1102025     | 1102539  | 1102965     | 1106725    |
| 1101893  | 1102026     | 1102540  | 1102966     | 1106726    |
| 1101909  | 1102027     | 1102541  | 1102972     | 1106727    |
| 1101910  | 1102028     | 1102542  | 1102973     | 1106728    |
| 1101911  | 1102029     | 1102543  | 1103251     | 1106729    |
| 1101912  | 1102030     | 1102543H | 1103252     | 1106730    |
| 1101913  | 1102031     | 1102546  | 1103253     | 1103511    |
| 1101977  | 1102032     | 1102548  | 1103254     | 1103512    |
| 1101978  | 1102033     | 1102549  | 1103255     | 1103513    |
| 1101979  | 1102034     | 1102556  | 1103256     | 2104168    |
| 1101980  | 1102035     | 1102557  | 1103257     | 2104169    |
| 1101981  | 1102036     | 1102558  | 1103258     | 2104170    |
| 1102000  | 1102037     | 1102559  | 1103261C    | 2104171    |
| 1160002  | 1102038     | 1102560  | 1103262     | 2104172    |
| 1170002  | 1102039     | 1102561  | 1103262C    | 2104173    |
| 1170003  | 1102040     | 1102562  | 1103263     | 2104174    |
| 2104177  | 1102041     | 1102563  | 1103263C    | 2104175    |
| 2104181  | 1102042     | 1102564  | 1103264     | 2104176    |
| 2104182  | 1102043     | 1102565  | 1103265     | 2104178    |
| 1102000H | 1102082     | 1102566  | 1103266     | 2104179    |
| 1102001  | 1102083     | 1102875  | 1103267     | 1103611    |
| 1160000  | 1102084     | 1102875C | 1103270     | 1103612    |
| 1102002  | 1102086     | 1102876  | 1160001     | 1103800    |
| 1102003  | 1102090     | 1102877  | 1103270ALT1 | 1103801    |
| 1102004  | 1102132     | 1102878  | 1103270     | 1103802    |
| 1102005  | 1102133     | 1102879  | 1160001     | 1103803    |
| 1102008  | 1102134     | 1102880  | 1103321     | 1103803ALT |
| 1102009  | 1102135     | 1102901  | 1103350     | 1103803    |
| 1102010  | 1102200     | 1102903  | 1103351     | 1103804    |
| 1170002  | 1102201     | 1102904  | 1103352     | 1103805    |
| 1170003  | 1102205     | 1102905  | 1103353     | 1103806    |
| 6100771  | 1102206     | 1102907  | 1103354     | 1103807    |
| 6100772  | 1102207     | 1102908  | 1103355     | 1103808    |
| 6100776  | 1102257     | 1102911  | 1103356     | 1103809    |
| 6100777  | 1102270     | 1102912  | 1103357     | 1103810    |
| 6116604  | 1102271     | 1102925  | 1103358     | 1103811    |

|         |         |         |          |          |
|---------|---------|---------|----------|----------|
| 1103812 | 1104736 | 1104882 | 1105375C | 1105728  |
| 1103813 | 1104739 | 1104885 | 1105376  | 1105729  |
| 1103814 | 1104740 | 1104886 | 1105377  | 1105732  |
| 1103825 | 1104741 | 1104890 | 1105378  | 1105733  |
| 1103826 | 1104742 | 1104891 | 1105379C | 1105734  |
| 1103827 | 1104743 | 1104892 | 1105382  | 1105735  |
| 1103828 | 1104744 | 1104893 | 1105383  | 1105750  |
| 1103829 | 1104745 | 1104894 | 1105384  | 1105751  |
| 1103831 | 1104746 | 1104900 | 1105400  | 1105752  |
| 1103836 | 1104747 | 1104901 | 1105401  | 1105753  |
| 1103837 | 1104748 | 1104902 | 1105405  | 1105754  |
| 1103852 | 1104749 | 1104903 | 1105406  | 1105755  |
| 1103853 | 1104775 | 1104904 | 1105407  | 1105801  |
| 1103854 | 1104776 | 1104905 | 1105408  | 1105802  |
| 1103855 | 1104777 | 1104906 | 1105409  | 1105803  |
| 1103856 | 1104778 | 1104907 | 1105410  | 1105804  |
| 1103860 | 1104779 | 1104908 | 1105411  | 1105825  |
| 1103861 | 1104780 | 1104909 | 1105450  | 1102353  |
| 1103875 | 1104781 | 1104910 | 1105475  | 1105825C |
| 1103876 | 1104782 | 1104911 | 1105476  | 1105826  |
| 1103877 | 1104783 | 1104912 | 1105477  | 1102351  |
| 1103878 | 1104800 | 1104914 | 1105478  | 1105827  |
| 1103879 | 1104801 | 1104915 | 1105479  | 1102352  |
| 1103880 | 1104803 | 1104916 | 1105480  | 1105828  |
| 1103882 | 1104804 | 1104917 | 1105481  | 1102354  |
| 1103884 | 1104805 | 1104918 | 1105482  | 1105829  |
| 1103885 | 1104806 | 1104919 | 1105483  | 1105830  |
| 1103886 | 1104850 | 1104920 | 1105484  | 1102355  |
| 1103888 | 1104851 | 1104921 | 1105487  | 1105830C |
| 1104125 | 1104852 | 1104924 | 1105488  | 1105831  |
| 1104126 | 1104853 | 1104950 | 1105489  | 1102350  |
| 1104625 | 1104854 | 1104952 | 1105490  | 1105832  |
| AA7059A | 1104855 | 1104953 | 1105491  | 1105833  |
| AA7060A | 1104856 | 1104954 | 1105500  | 1105834  |
| 1104626 | 1104857 | 1104955 | 1105555  | 1105835  |
| 1104627 | 1104858 | 1105000 | 1105556  | 1105836  |
| 1104628 | 1104859 | 1105001 | 1105577  | 1105837  |
| 1104629 | 1104860 | 1105002 | 1105650  | 1105838  |
| 1104630 | 1104861 | 1105003 | 1105651  | 1105840  |
| 1104632 | 1104863 | 1105004 | 1105652  | 1105850  |
| 1104633 | 1104866 | 1105005 | 1105675  | 1105851  |
| 1104635 | 1104871 | 1105300 | 1105676  | 1105852  |
| 1104636 | 1104872 | 1105301 | 1105677  | 1105853  |
| 1104650 | 1104873 | 1105325 | 1105678  | 1105854  |
| 1104725 | 1104874 | 1105326 | 1105679  | 1105900  |
| 1104729 | 1104875 | 1105327 | 1105680  | 1105901  |
| 1104730 | 1104876 | 1105328 | 1105681  | 1105925  |
| 1104731 | 1104877 | 1105329 | 1105682  | 1105926  |
| 1104732 | 1104878 | 1105330 | 1105683  | 1105950  |
| 1104733 | 1104879 | 1105331 | 1105725  | 1105951  |
| 1104734 | 1104880 | 1105350 | 1105726  | 1105952  |
| 1104735 | 1104881 | 1105375 | 1105727  | 1105953  |

|          |          |         |          |          |
|----------|----------|---------|----------|----------|
| 1105954  | 1106072  | 1106303 | 1106410  | 1106903  |
| 1105975  | 1106074  | 1106304 | 1106411  | 1106904  |
| 1106000  | 1106076  | 1106305 | 1106414  | 1106905  |
| 1106001  | 1106077  | 1106306 | 1106425  | 1106950  |
| 1106002  | 1106078  | 1106307 | 1106426  | 1106951  |
| 1106003  | 1106079H | 1106308 | 1106427  | 1106952  |
| 1106004  | 1106080H | 1106309 | 1106450  | 1106953  |
| 1106005  | 1106081  | 1106310 | 1106450H | 1106954  |
| 1106006  | 1106082H | 1106325 | 1106451  | 1106975  |
| 1106007  | 1106083H | 1106326 | 1106451H | 1106976  |
| 1106008  | 1106100  | 1106327 | 1106452  | 1106977  |
| 1106009  | 1106101  | 1106328 | 1106452H | 1106978  |
| 1106010  | 1106102  | 1106329 | 1106453  | 1107000  |
| 1106011  | 1106103  | 1106330 | 1106453H | 1107001  |
| 1106012  | 1106104  | 1106331 | 1106454  | 1107002  |
| 1106013  | 1106105  | 1106332 | 1106455  | 1107003  |
| 1106017  | 1106106  | 1106333 | 1106456  | 1107025  |
| 1106018  | 1106107  | 1106334 | 1106476  | 1107026  |
| 1106019  | 1106108  | 1106350 | 1106477  | 1107027  |
| 1106020  | 1106109  | 1106351 | 1106478  | 1107075  |
| 1106021  | 1106110  | 1106352 | 1106479  | 1107125  |
| 1106022  | 1106111  | 1106354 | 1106480  | 1107126  |
| 1106023  | 1106114  | 1106355 | 1106481  | 1107127  |
| 1106024  | 1106115  | 1106356 | 1106482  | 1107128  |
| 1106025  | 1106116  | 1106357 | 1106550  | 1107129  |
| 1106028  | 1106117  | 1106365 | 1106675  | 1107150  |
| 1106028H | 1106118  | 1106366 | 1106676  | 1107151  |
| 1106029  | 1106119  | 1106367 | 1106677  | 1107152  |
| 1106030  | 1106120  | 1106368 | 1106679  | 1107153  |
| 1106031  | 1106125  | 1106369 | 1106680  | 1107154  |
| 1106032  | 1106126  | 1106370 | 1106681  | 1107200  |
| 1106033  | 1106127  | 1106375 | 1106682  | 1107201  |
| 1106034  | 1106150  | 1106376 | 1106683  | 1107202  |
| 1106035  | 1106151  | 1106377 | 1106684  | 1107203  |
| 1106036  | 1106152  | 1106378 | 1106687  | 1107204  |
| 1106037  | 1106175  | 1106379 | 1106688  | 1107205  |
| 1106039  | 1106180  | 1106380 | 1106700  | 1107206  |
| 1106040  | 1106200  | 1106381 | 1106701  | 1107207  |
| 1106041  | 1106201  | 1106382 | 1106702  | 1107225  |
| 1106048  | 1106203  | 1106383 | 1106703  | 1107250  |
| 1106055  | 1106204  | 1106384 | 1106704  | 1107251  |
| 1106056  | 1106205  | 1106385 | 1106750  | 1107252  |
| 1106057  | 1106207  | 1106386 | 1106751  | 1107275  |
| 1106058  | 1106208  | 1106400 | 1106754  | 1107276  |
| 1106059  | 1106209  | 1106401 | 1106755  | 1107277  |
| 1106063  | 1106210  | 1106403 | 1106756  | 1107278  |
| 1106066  | 1106211  | 1106404 | 1106800  | 1107279  |
| 1106067  | 1106275  | 1106405 | 1106801  | 1107400  |
| 1106068  | 1106279  | 1106406 | 1106802  | 1107400C |
| 1106069  | 1106300  | 1106407 | 1106900  | 1107402  |
| 1106070  | 1106301  | 1106408 | 1106901  | 1107402C |
| 1106071  | 1106302  | 1106409 | 1106902  | 1107403  |



|          |          |          |         |         |
|----------|----------|----------|---------|---------|
| 1107404  | 1107475  | 1107806H | 1108101 | 1109000 |
| 1107405  | 1107475C | 1107807  | 1108102 | 1109002 |
| 1107406  | 1107476  | 1107807H | 1108103 | 1109062 |
| 1107406C | 1107476C | 1107808  | 1108104 | 1109075 |
| 1107407  | 1107477  | 1107809  | 1108105 | 1109076 |
| 1107407C | 1107477C | 1107810  | 1108106 | 1109077 |
| 1107408  | 1107478  | 1107811  | 1108107 | 1109078 |
| 1107408C | 1107478C | 1107812  | 1108108 | 1109079 |
| 1107409  | 1107479  | 1107813  | 1108109 | 1109080 |
| 1107410  | 1107479C | 1107814  | 1108125 | 1109102 |
| 1107415  | 1107480  | 1107815  | 1108126 | 1109105 |
| 1107416  | 1107480C | 1107816  | 1108127 | 1109106 |
| 1107417  | 1107500  | 1107817  | 1108128 | 1109107 |
| 1107418  | 1107501  | 1107817H | 1108129 | 1109108 |
| 1107419  | 1107525  | 1107818  | 1108130 | 1109109 |
| 1107420  | 1107526  | 1107819  | 1108131 | 1109110 |
| 1107421  | 1107550  | 1107820  | 1108132 | 1109111 |
| 1107422  | 1107551  | 1107821  | 1108133 | 1109121 |
| 1107425  | 1107575  | 1107822  | 1108134 | 1109125 |
| 1107425C | 1107576  | 1107823  | 1108175 | 1109126 |
| 1107426  | 1107577  | 1107824  | 1108176 | 1109127 |
| 1107427  | 1107578  | 1107825  | 1108177 | 1109128 |
| 1107427C | 1107579  | 1107828  | 1108178 | 1109129 |
| 1107428  | 1107580  | 1107829  | 1108179 | 1109130 |
| 1107428C | 1107600  | 1107830  | 1108184 | 1109142 |
| 1107429  | 1107626  | 1107831  | 1108185 | 1109143 |
| 1107429C | 1107629  | 1107832  | 1108186 | 1109144 |
| 1107430  | 1107630  | 1107833  | 1108187 | 1109145 |
| 1107430C | 1107650  | 1107834  | 1108188 | 1109150 |
| 1107450  | 1107651  | 1107836  | 1108189 | 1109151 |
| 1107450C | 1107652  | 1107850  | 1108190 | 1109152 |
| 1107451  | 1107653  | 1107851  | 1108225 | 1109400 |
| 1107451C | 1107656  | 1107855  | 1108226 | 1109425 |
| 1107452  | 1107658  | 1107875  | 1108227 | 1109426 |
| 1107452C | 1107659  | 1107926  | 1108228 | 1109427 |
| 1107453  | 1107725  | 1107950  | 1108229 | 1109429 |
| 1107453C | 1107726  | 1107951  | 1108300 | 1109431 |
| 1107454  | 1107727  | 1107952  | 1108301 | 1109441 |
| 1107454C | 1107775  | 1107954  | 1108302 | 1109446 |
| 1107455  | 1107776  | 1107957  | 1108305 | 1109447 |
| 1107455C | 1107777  | 1107958  | 1108307 | 1109448 |
| 1107460  | 1107778  | 1107959  | 1108308 | 1109449 |
| 1107461  | 1107781  | 1107960  | 1108309 | 1109450 |
| 1107462  | 1107782  | 1107962  | 1108310 | 1109451 |
| 1107463  | 1107783  | 1108000  | 1108311 | 1109475 |
| 1107465  | 1107784  | 1108001  | 1108375 | 1109500 |
| 1107466  | 1107801  | 1108002  | 1108376 | 1109501 |
| 1107467  | 1107802  | 1108003  | 1108377 | 1109502 |
| 1107468  | 1107803  | 1108025  | 1108378 | 1109503 |
| 1107469  | 1107804  | 1108026  | 1108379 | 1109550 |
| 1107470  | 1107805  | 1108034  | 1108380 | 1109551 |
| 1107471  | 1107806  | 1108100  | 1108400 | 1109552 |

|          |         |         |          |         |
|----------|---------|---------|----------|---------|
| 1109553  | 1110590 | 1110803 | 1111332  | 3103389 |
| 1109554  | 1110591 | 1110810 | 1111500H | 3103390 |
| 1109555  | 1110600 | 1110811 | 1111501H | 3103395 |
| 1109556  | 2104205 | 1110812 | 1111502H | 3103420 |
| 1109557  | 1110601 | 1110813 | 1111503H | 3103450 |
| 1109558  | 1110602 | 1110814 | 1111504H | 3103451 |
| 1109559  | 1110603 | 1110820 | 1111505H | 3103452 |
| 1109560  | 1110604 | 1110830 | 1111506H | 3103453 |
| 1109561  | 1110605 | 1110831 | 1111507H | 3103471 |
| 1109575  | 1110606 | 1110832 | 1111508H | 3103515 |
| 1109651  | 1110608 | 1110850 | 1111509H | 3103520 |
| 1109652  | 1110618 | 1110851 | 1111575  | 3103521 |
| 1109653  | 1110625 | 1110852 | 1111577  | 3103522 |
| 1109654  | 1110626 | 1110853 | 1111578  | 3103523 |
| 1109675  | 1110675 | 1110854 | 1111579  | 3103524 |
| 1109676  | 1110700 | 1110855 | 1111580  | 3103543 |
| 1109677  | 1110701 | 1110856 | 1111581  | 3103544 |
| 1109678  | 1110702 | 1110857 | 1111582  | 3103547 |
| 1109850  | 1110704 | 1110858 | 1111583  | 3103549 |
| 1109851  | 1110725 | 1110859 | 1111584  |         |
| 1109852  | 1110727 | 1110930 | 1111585  |         |
| 1109853  | 1110750 | 1110935 | 1111586  |         |
| 1109854  | 1110751 | 1110942 | 1111591  |         |
| 1109855  | 1150054 | 1110950 | 1111592  |         |
| 1109885  | 1110752 | 1110951 | 1111593  |         |
| 1109886  | 1150058 | 1110952 | 1111594  |         |
| 1109975  | 1110753 | 1110953 | 1111595  |         |
| 1109976  | 1110754 | 1110954 | 1111610  |         |
| 1109977  | 1110755 | 1110955 | 1111611  |         |
| 1110025  | 1110760 | 1110956 | 1111612  |         |
| 1110026  | 1110761 | 1110990 | 1111613  |         |
| 1110027  | 1110762 | 1110992 | 1310065  |         |
| 1110028  | 1110770 | 1110994 | 1370111  |         |
| 1110029  | 1110771 | 1110995 | 1370112  |         |
| 1110030  | 1110772 | 1111000 | 3103300  |         |
| 1110052  | 1110773 | 1111001 | 3103301  |         |
| 1110570  | 1110774 | 1111002 | 3103330  |         |
| 1110575  | 1110780 | 1111003 | 3103331  |         |
| 1110575H | 1110781 | 1111004 | 3103332  |         |
| 1110576  | 1110782 | 1111275 | 3103333  |         |
| 1110576H | 1110783 | 1111276 | 3103334  |         |
| 1110577  | 1110784 | 1111277 | 3103335  |         |
| 1110577H | 1110785 | 1111278 | 3103336  |         |
| 1110578  | 1110786 | 1111279 | 3103337  |         |
| 1110578H | 1110787 | 1111280 | 3103350  |         |
| 1110582  | 1110792 | 1111325 | 3103351  |         |
| 1110586  | 1110793 | 1111326 | 3103375  |         |
| 1110587  | 1110800 | 1111327 | 3103386  |         |
| 1110588  | 1110801 | 1111330 | 3103387  |         |
| 1110589  | 1110802 | 1111331 | 3103388  |         |

Additional Model Numbers may appear on the next printing.



## WARRANTY

Equipment offered by DBI-SALA are warranted against factory defects in workmanship and materials for a period of two years from date of installation or use by the owner, provided that this period shall not exceed two years from the date of shipment. Upon notice in writing, DBI-SALA will promptly repair or replace all defective items. DBI-SALA reserves the right to elect to have any defective item returned to its plant for inspection before making a repair or replacement. This warranty does not cover equipment damages resulting from abuse, damage in transit, or other damage beyond the control of DBI-SALA. This warranty applies only to the original purchaser and is the only one applicable to our products, and is in lieu of all other warranties, expressed or implied.



A Capital Safety Company

### USA

3833 SALA Way  
Red Wing, MN 55066-5005  
Toll Free: 800-328-6146  
Phone: (651) 388-8282  
Fax: (651) 388-5065  
[www.capitalsafety.com](http://www.capitalsafety.com)

### Canada

260 Export Boulevard  
Mississauga, Ontario L5S 1Y9  
Toll Free: 800-387-7484  
Phone: (905) 795-9333  
Fax: (905) 795-8777  
[www.capitalsafety.com](http://www.capitalsafety.com)

This manual is available for download at [www.capitalsafety.com](http://www.capitalsafety.com).



Certificate No. FM 39709