



OSHA 1926.502

OSHA 1910.140

**ROOF TOP COUNTERWEIGHT ANCHOR  
Anchorage Connector**

**USER INSTRUCTION MANUAL  
5903602 REV. C**



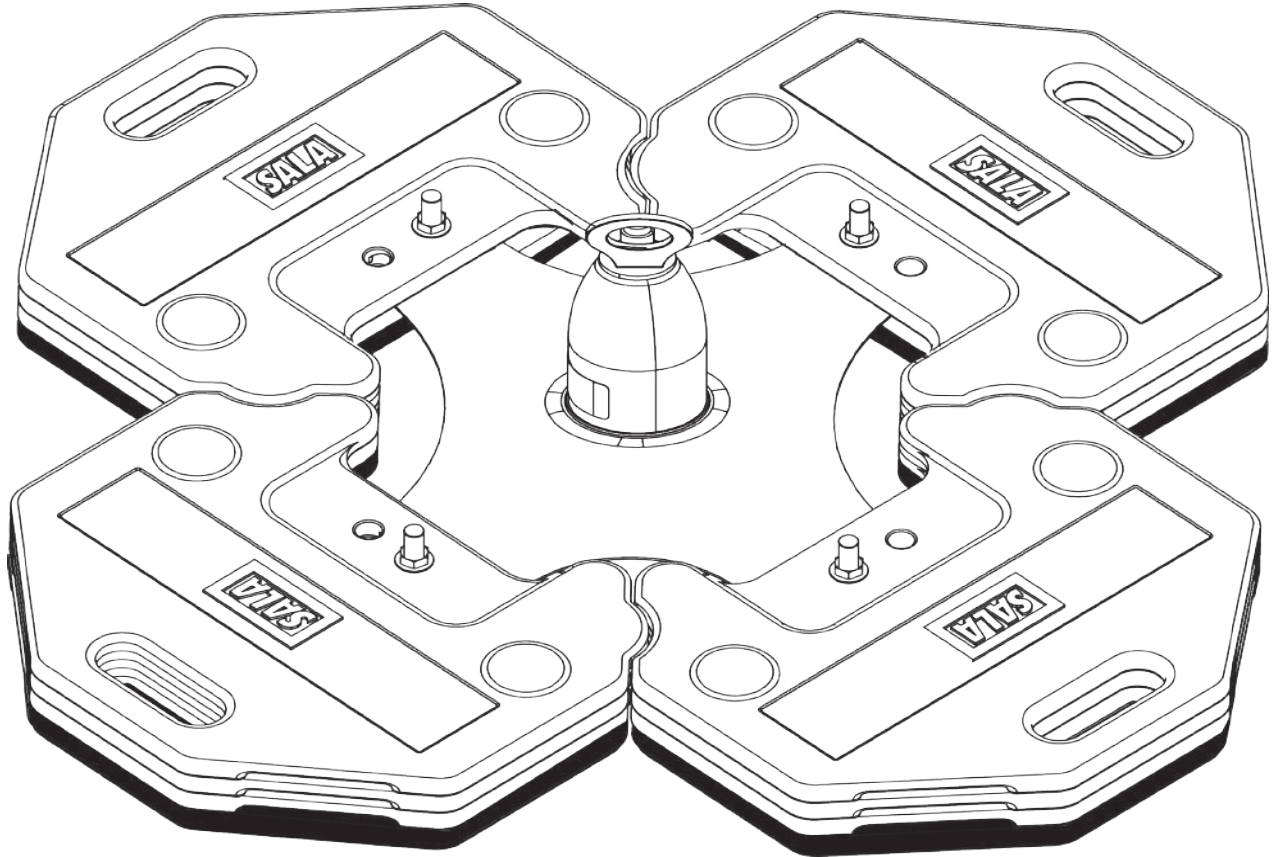
Fall Protection

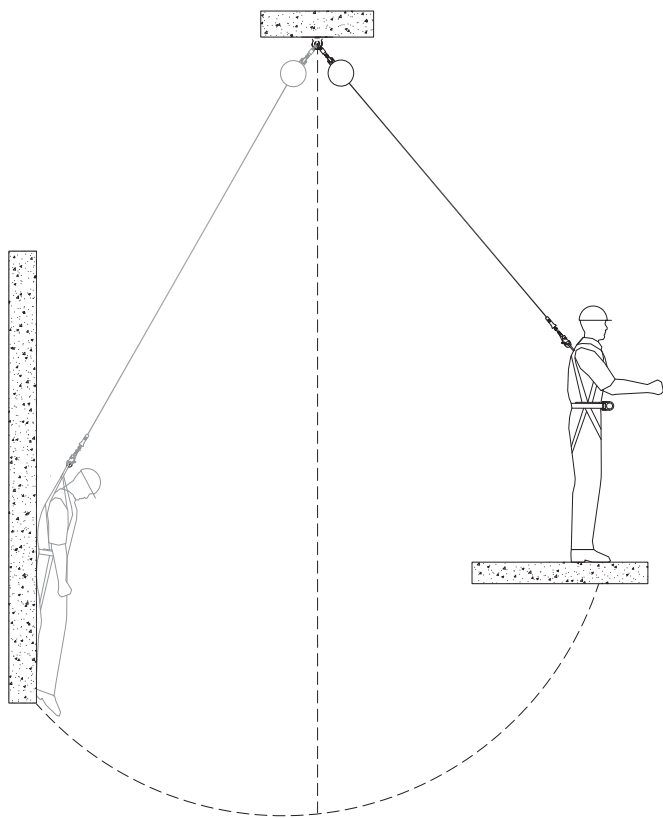
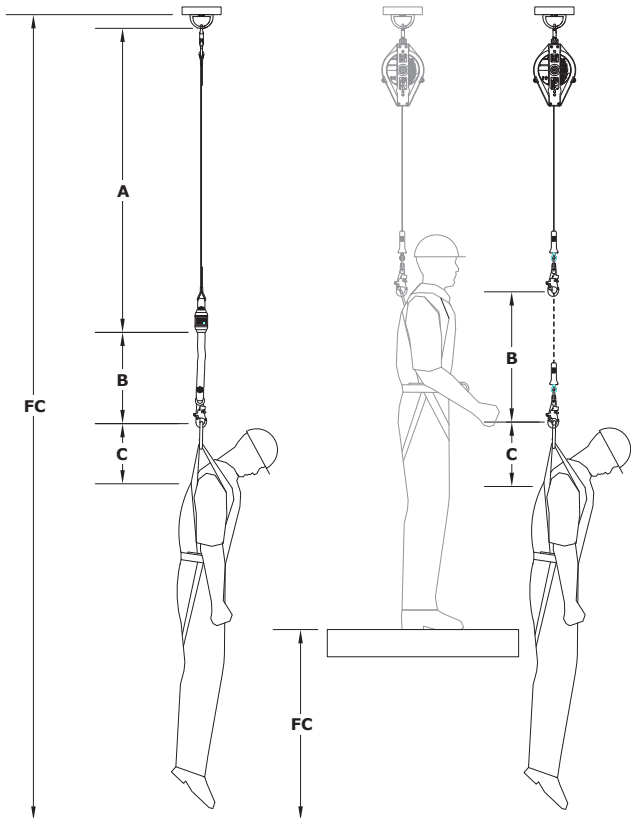
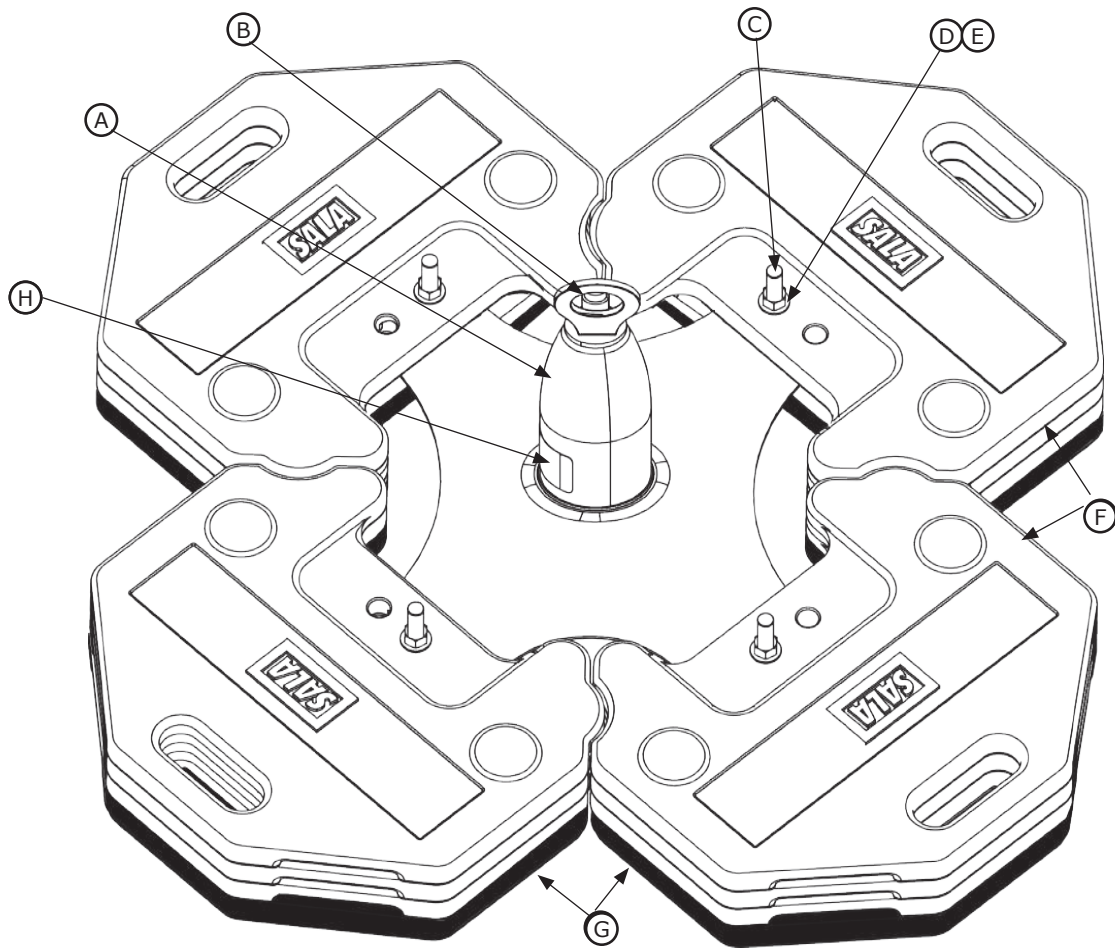
**1**

**2100185**

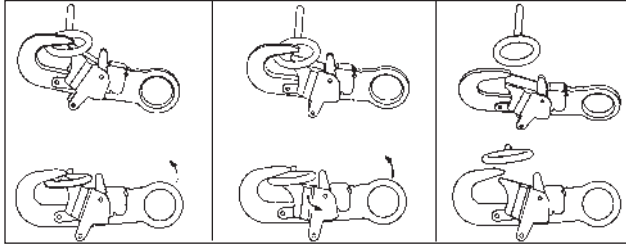
40.2 in x 40.2 in x 14.1 in  
(102.1 cm x 102.1 cm x 35.8 cm)

735 lb (334 kg)





5

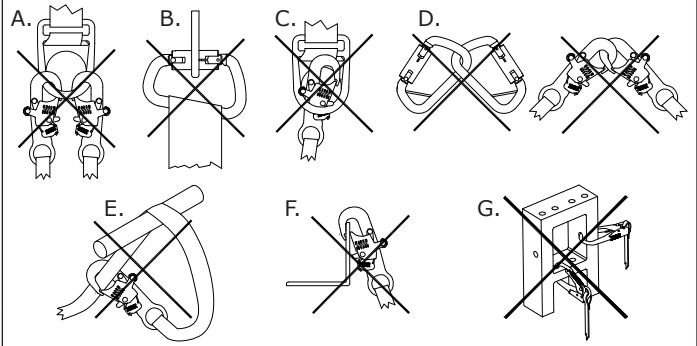


A

B

C

6



A.

B.

C.

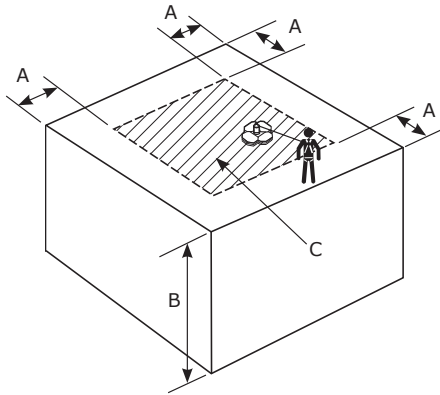
D.

E.

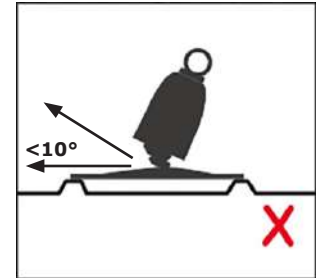
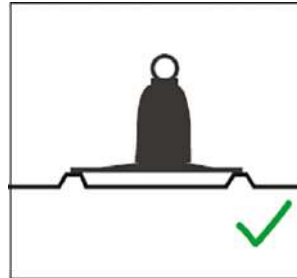
F.

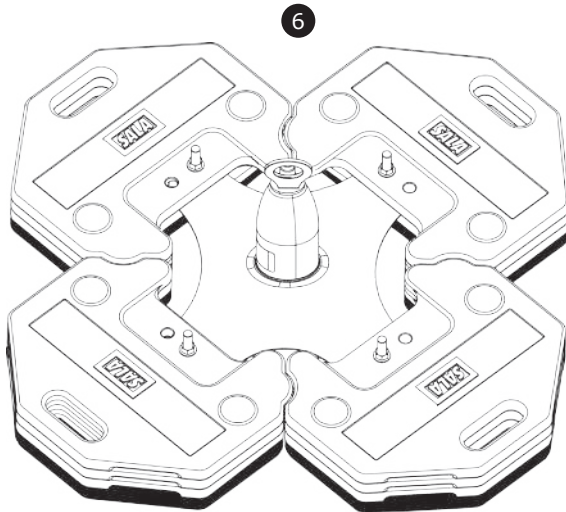
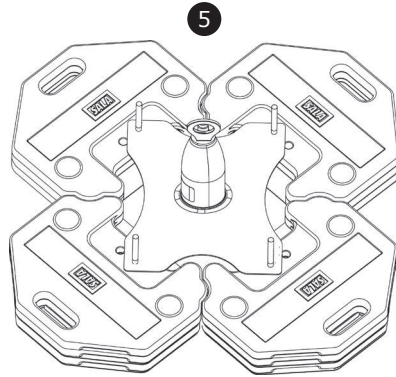
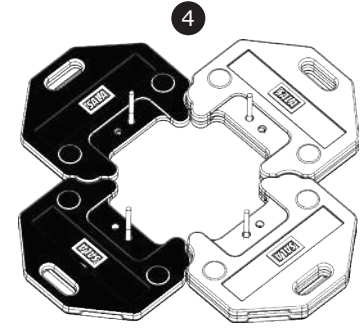
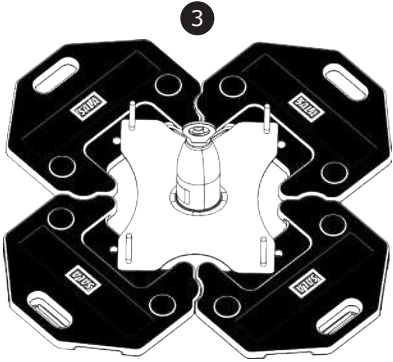
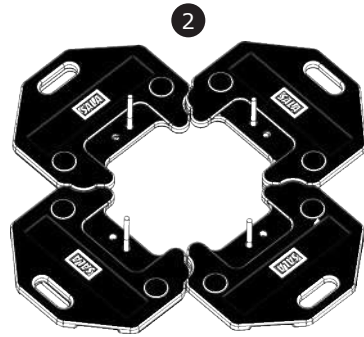
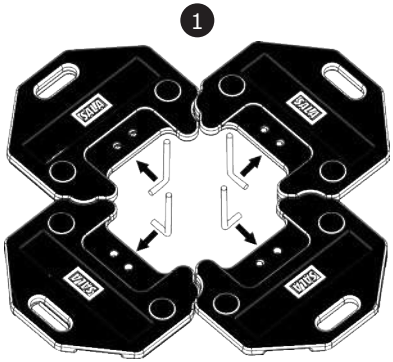
G.

7



8





		<p><b>WARNING</b> <b>AVERTISSEMENT</b> <b>ADVERTENCIA</b></p>	<p><b>SPECIFICATIONS:</b> Capacity: 1 Person, 310 lbs (140 kg) max. Materials: Galvanized steel galvanized cast iron and PVC coated cast iron. Must be installed a min. of 8' 2" (2.5m) from any roof edge, skylight, hatch etc. Required ground clearance: 17 ft. (5.2 m)</p>	<p><b>INSPECTION:</b> Must inspect anchor before each use. At least monthly, anchor should be inspected by a competent person in accordance with the User Manual. Do not use if inspection reveals an unsafe or defective condition. Not user repairable.</p>	<p><b>USE:</b> See User Manual for details on marking connections. Anchor must be used with an energy absorber. The anchor has been tested and approved for use on concrete, asphalt-sand and asphalt-sand chipped profiles. Refer to User Manual for additional information.</p>								
<p>3M.com/FallProtection MADE IN USA WITH GLOBALLY SOURCED MAT <b>2</b></p>	<p>Manufacturer's instructions must be read and understood prior to use. Instructions supplied with this product at time of shipment must be followed for proper use, maintenance, and inspection. Alteration or misuse of this product, or failure to follow instructions may result in serious injury or death. Make only compatible connections. Do not remove this label.</p>	<p><b>CARACTÉRISTIQUES TECHNIQUES:</b> Capacité: 1 personne, 140 kg (310 lb) maximum Matériaux: acier galvanisé, fonte galvanisée et fer de fonte enduit de PVC. Doit être installé à une hauteur minimum de 2,5 m (8 pieds 2 pouces) de tout type de bord de toit, lucarne, trappe, etc. Distance au sol requise: 5,2 m (17 pieds)</p>	<p><b>INSPECTION:</b> Inspecter l'ancrage avant chaque utilisation. L'ancrage doit être inspecté par une personne qualifiée au moins une fois par mois conformément au manuel de l'utilisateur. Ne pas utiliser si l'inspection révèle un état dangereux ou défectueux. Non réparable par l'utilisateur.</p>	<p><b>UTILISATION:</b> Se reporter au manuel de l'utilisateur pour plus de détails sur le marquage des raccordements. L'ancrage doit être utilisé avec un absorbeur d'énergie. L'ancrage a été approuvé pour une utilisation sur du béton, des profils écailles asphaltes avec ou gravier et des pierres. Se reporter au manuel de l'utilisateur pour plus d'informations.</p>									
<p>OSHA 1926.502 OSHA 1910 <b>3</b></p>	<p>Les instructions du fabricant doivent avoir été lues et comprises avant toute utilisation du dispositif. Les instructions ou fabricant fournies lors de l'achat ou dispositif doivent être respectées afin de garantir une utilisation, un entretien et une inspection appropriés. Toute modification ou utilisation non conforme de ce produit, ainsi que l'observation des instructions le concernant, peuvent entraîner des blessures graves ou la mort. Réaliser uniquement des raccordements compatibles. Ne pas enlever cette étiquette.</p>	<p><b>ESPECIFICACIONES:</b> Capacidad: 1 persona, 140 kg (310 lb) máx. Materiales: Acero galvanizado, hierro fundido galvanizado y hierro fundido recubierto con PVC. Se debe instalar a un mínimo de 2,5 m (8 pies 2 in) de cualquier borde de techo, tragaluz, trampilla, etc. Distancia al suelo necesaria: 5,2 m (17 pies)</p>	<p><b>INSPECCIÓN:</b> Se debe inspeccionar el anclaje antes de cada uso. Al menos una vez al mes una persona competente deberá inspeccionar el anclaje de acuerdo con el manual de usuario. No lo utilice si la inspección revela que no es seguro o está defectuoso. El <b>1</b> puede repararlo.</p>	<p><b>USO:</b> Consulte en el manual del usuario la información relativa a la marcación de conexiones. El anclaje se debe utilizar junto con un absorbente de energía. El anclaje se ha probado y autorizado para su uso en hormigón, gravilla, empujados con asfalto y gravilla o base de piedra asfáltica. Consulte el manual del usuario para obtener más información.</p>									
<p> </p> <p>8515533 Rev. A</p>	<p>Deben leerse y entenderse las instrucciones del fabricante antes de utilizar el producto. Las instrucciones suministradas con este producto en el momento del envío deben respetarse para un uso, mantenimiento e inspección correctos. Si se altera o se hace un uso indebido de este producto, o si no se siguen las instrucciones, se pueden producir heridas graves o la muerte. Realice solo conexiones compatibles. No quite esta etiqueta.</p>	<p><b>ESPECIFICACIONES:</b> Capacidad: 1 persona, 140 kg (310 lb) máx. Materiales: Acero galvanizado, hierro fundido galvanizado y hierro fundido recubierto con PVC. Se debe instalar a un mínimo de 2,5 m (8 pies 2 in) de cualquier borde de techo, tragaluz, trampilla, etc. Distancia al suelo necesaria: 5,2 m (17 pies)</p>	<p><b>INSPECCIÓN:</b> Se debe inspeccionar el anclaje antes de cada uso. Al menos una vez al mes una persona competente deberá inspeccionar el anclaje de acuerdo con el manual de usuario. No lo utilice si la inspección revela que no es seguro o está defectuoso. El <b>1</b> puede repararlo.</p>	<p><b>USO:</b> Consulte en el manual del usuario la información relativa a la marcación de conexiones. El anclaje se debe utilizar junto con un absorbente de energía. El anclaje se ha probado y autorizado para su uso en hormigón, gravilla, empujados con asfalto y gravilla o base de piedra asfáltica. Consulte el manual del usuario para obtener más información.</p>									
				<table border="1"> <tr> <td data-bbox="1039 346 1136 367">MFRD (YRMO) LOT:</td> <td data-bbox="1299 346 1364 367">MODEL NO:</td> </tr> <tr> <td data-bbox="1039 367 1136 388">MFRD (AAMI) LOT:</td> <td data-bbox="1299 367 1364 388">MODÈLE N°:</td> </tr> <tr> <td data-bbox="1039 388 1136 409">MFRD (AÑOMES) LOTE:</td> <td data-bbox="1299 388 1364 409">N.º DE MODELO:</td> </tr> <tr> <td colspan="2" style="text-align: center;"></td> </tr> </table>	MFRD (YRMO) LOT:	MODEL NO:	MFRD (AAMI) LOT:	MODÈLE N°:	MFRD (AÑOMES) LOTE:	N.º DE MODELO:			
MFRD (YRMO) LOT:	MODEL NO:												
MFRD (AAMI) LOT:	MODÈLE N°:												
MFRD (AÑOMES) LOTE:	N.º DE MODELO:												

## SAFETY INFORMATION

Please read, understand, and follow all safety information contained in these instructions prior to the use of this Anchorage Connector. **FAILURE TO DO SO COULD RESULT IN SERIOUS INJURY OR DEATH.**

These instructions must be provided to the user of this equipment. Retain these instructions for future reference.

### Intended Use:

This Anchorage Connector is intended for use as part of a complete personal fall protection system.

Use in any other application including, but not limited to, material handling, recreational or sports related activities, or other activities not described in the User Instructions, is not approved by 3M and could result in serious injury or death.

This device is only to be used by trained users in workplace applications.

### WARNING

This Anchorage Connector is part of a personal fall protection system. It is expected that all users be fully trained in the safe installation and operation of their personal fall protection system. **Misuse of this device could result in serious injury or death.** For proper selection, operation, installation, maintenance, and service, refer to these User Instructions and all manufacturer recommendations, see your supervisor, or contact 3M Technical Service.

- **To reduce the risks associated with working with an Anchorage Connector which, if not avoided, could result in serious injury or death:**
  - Inspect the device before each use, at least annually, and after any fall event. Inspect in accordance with the User Instructions.
  - If inspection reveals an unsafe or defective condition, remove the device from service and repair or replace according to the User Instructions.
  - Any device that has been subject to fall arrest or impact force must be immediately removed from service and destroyed.
  - The device must only be installed in the specified substrates or on structures detailed in the User Instructions. Installations and use outside the scope of this instruction must be approved by 3M Fall Protection.
  - The substrate or structure to which the anchorage connector is attached must be able to sustain the static loads specified for the anchor in the orientations permitted in the User Instructions.
  - Only connect other fall protection subsystems to the designated anchorage connection point on the device.
  - Prior to drilling or fastening, ensure no electric lines, gas lines, or other critical embedded systems will be contacted by the drill or the device.
  - Ensure that fall protection systems/subsystems assembled from components made by different manufacturers are compatible and meet the requirements of applicable standards, including the ANSI Z359 or other applicable fall protection codes, standards, or requirements. Always consult a Competent or Qualified Person before using these systems.
  - (COUNTERWEIGHT ANCHORS) Do not use device on sloped or slippery surfaces.
  - (COUNTERWEIGHT ANCHORS) Ensure proper lifting technique and safe workplace practices are employed when installing or transporting counterweight anchor components or system.
- **To reduce the risks associated with working at height which, if not avoided, could result in serious injury or death:**
  - Ensure your health and physical condition allow you to safely withstand all of the forces associated with working at height. Consult with your doctor if you have any questions regarding your ability to use this equipment.
  - Never exceed allowable capacity of your fall protection equipment.
  - Never exceed maximum free fall distance of your fall protection equipment.
  - Do not use any fall protection equipment that fails pre-use or other scheduled inspections, or if you have concerns about the use or suitability of the equipment for your application. Contact 3M Technical Services with any questions.
  - Some subsystem and component combinations may interfere with the operation of this equipment. Only use compatible connections. Consult 3M prior to using this equipment in combination with components or subsystems other than those described in the User Instructions.
  - Use extra precautions when working around moving machinery (e.g. top drive of oil rigs) electrical hazards, extreme temperatures, chemical hazards, explosive or toxic gases, sharp edges, or below overhead materials that could fall onto you or your fall protection equipment.
  - Use Arc Flash or Hot Works devices when working in high heat environments.
  - Avoid surfaces and objects that can damage the user or equipment.
  - Ensure there is adequate fall clearance when working at height.
  - Never modify or alter your fall protection equipment. Only 3M or parties authorized in writing by 3M may make repairs to the equipment.
  - Prior to use of fall protection equipment, ensure a rescue plan is in place which allows for prompt rescue if a fall incident occurs.
  - If a fall incident occurs, immediately seek medical attention for the worker who has fallen.
  - Do not use a body belt for fall arrest applications. Use only a Full Body Harness.
  - Minimize swing falls by working as directly below the anchorage point as possible.
  - If training with this device, a secondary fall protection system must be utilized in a manner that does not expose the trainee to an unintended fall hazard.
  - Always wear appropriate personal protective equipment when installing, using, or inspecting the device/system.

Prior to installation and use of this equipment, record the product identification information from the ID label in the Inspection and Maintenance Log (Table 2) at the back of this manual.

**PRODUCT DESCRIPTION:**

Figure 1 illustrates the 3M™ DBI-SALA™ Roof Top Counterweight Anchor. The Roof Top Counterweight Anchor is a single point anchorage connector for a personal fall arrest system designed to be installed on a flat surface.

Figure 2 illustrates components of the Roof Top Counterweight Anchor. See Table 1 for Component Specifications. The Roof Top Counterweight Anchor is comprised of an Attachment Point (B) fastened to the Roof Top Anchor (A). This is fastened to the Counterweight Plates (F) and Plastisol Coated Counterweight Plates (G) with L-Bolts (C), Washers (E), and Nuts (D). The Fall Arrest subsystem connects to the Attachment Point (B).

**Table 1 – Specifications**

<b>System Specifications:</b>	
<b>Capacity:</b>	1 Person with a combined weight (clothing, tools, etc.) of no more than 310 lbs (140 kg).
<b>Anchorage:</b>	<p><b>Fall Arrest:</b> The structure to which the Anchorage Connector is installed on must sustain static loads applied in the directions permitted by the Fall Arrest System of at least: 5000 lbs (22.2 kN).</p> <p>The Roof Top Counterweight Anchor must not be used in adverse weather conditions. The roof surface must be free of frost, snow, standing water, grease or oil, or any other type of lubricating or friction reducing materials.</p> <div style="border: 1px solid black; padding: 5px; margin: 5px 0;"> <input checked="" type="checkbox"/> The Roof Top Counterweight Anchor System is approved for use on the following types of roofs: concrete, bitumen, and asphalt sanded.         </div> <p><b>Static Load:</b> The roof must be able to support a static load of 735 lb (334 kg).</p>
<b>Dimensions:</b>	See Figure 1 for the dimensions of the Roof Top Counterweight Anchor model.
<b>Product Weight:</b>	See Figure 1 for the weight of the Roof Top Counterweight Anchor model.
<b>Standards:</b>	OSHA 1926.502 or OSHA 1910.140 when configured by a Qualified person as part of a complete fall arrest system.

<b>Component Specifications:</b>			
<b>Figure 2 Reference</b>	<b>Component</b>	<b>Materials</b>	<b>Note:</b>
(A)	Rooftop Anchor	Aluminum, Powder coated steel	
(B)	Attachment Point	Stainless Steel	
(C)	L-Bolts	Galvanized Steel	
(D)	Nuts	Galvanized Steel	
(E)	Washers	Stainless Steel	
(F)	Counterweight Plates	Gray Iron	
(G)	Rubber Coated Counterweight Plates	Gray Iron and Plastisol	
(H)	Labels	Polyester	

## 1.0 PRODUCT APPLICATION

- 1.1 PURPOSE:** Anchorage Connectors are designed to provide anchorage connection points for Fall Arrest, Fall Restraint, Work Positioning, and or Rescue systems based on the allowed uses for each product. Each Anchorage Connector has detailed information about the allowed uses, anchorage points, and anchorage requirements in Sections 3 through 7.

**Fall Protection Only:** This Anchorage Connector is for connection of Fall Protection Equipment. Do not connect Lifting Equipment to the Anchorage Connector.

- 1.2 STANDARDS:** Your Anchorage Connector conforms to the national or regional standard(s) identified on the front cover of these instructions. If this product is resold outside the original country of destination, the re-seller must provide these instructions in the language of the country in which the product will be used.
- 1.3 SUPERVISION:** Use of this equipment must be supervised by a Competent Person<sup>1</sup>.
- 1.4 TRAINING:** This equipment must be installed and used by persons trained in its correct application. This manual is to be used as part of an employee training program as required by ANSI and OSHA, and/or regional regulations. It is the responsibility of the users and installers of this equipment to ensure they are familiar with these instructions, trained in the correct care and use of this equipment, and are aware of the operating characteristics, application limitations, and consequences of improper use of this equipment.
- 1.5 RESCUE PLAN:** When using this equipment and connecting subsystem(s), the employer must have a rescue plan and the means at hand to implement and communicate that plan to users, authorized persons<sup>2</sup>, and rescuers<sup>3</sup>. A trained, on-site rescue team is recommended. Team members should be provided with the equipment and techniques to perform a successful rescue. Training should be provided on a periodic basis to ensure rescuer proficiency.
- 1.6 INSPECTION FREQUENCY:** The Anchorage Connector shall be inspected by the user before each use and, additionally, by a Competent Person other than the user at intervals of no longer than one year.<sup>4</sup> Inspection procedures are described in the "Inspection and Maintenance Log". Results of each Competent Person inspection should be recorded on copies of the "Inspection and Maintenance Log".
- 1.7 AFTER A FALL:** If the Anchorage Connector is subjected to the forces of arresting a fall, it must be removed from service immediately, clearly marked "DO NOT USE", and then either destroyed or forwarded to 3M for replacement or repair.

## 2.0 SYSTEM REQUIREMENTS

- 2.1 ANCHORAGE:** Anchorage structure requirements vary with the system application and whether it is a certified anchorage<sup>5</sup> or non-certified anchorage<sup>6</sup>. The structure to which a fall arrest, restraint, positioning, or rescue system is attached must sustain static loads applied in the directions permitted as shown in the following table. Anchorage Strength requirements, along with system applications, are specified below, unless noted or defined otherwise in Table 1:

Fall Protection System	Certified Anchorage <sup>9</sup>	Non-Certified Anchorage <sup>10</sup>	Defined by
Fall Arrest	2 times maximum arresting force	5,000 lbs (22.2 kN)	OSHA, ANSI
Restraint/Travel Restraint	2 times foreseeable force	1,000 lbs (4.4 kN) per ANSI 5,000 lbs (22.2 kN) per OSHA	OSHA, ANSI
Work Positioning	2 times foreseeable force	3,000 lbs (13.3 kN)	OSHA, ANSI
Rescue	5 times applied load	3,000 lbs (13.3 kN)	ANSI

When more than one system is attached to an anchorage, the strengths stated above must be multiplied by the number of systems attached to the anchorage. See ANSI Z359.2 for more information.

- 2.2 PERSONAL FALL ARREST SYSTEM:** Figure 1 illustrates the application of this Anchorage Connector. Personal Fall Arrest Systems (PFAS) used with the system must meet applicable Fall Protection standards, codes, and requirements. The PFAS must incorporate a Full Body Harness and limit Arresting Force to the following values:

	Maximum Arresting Force	Free Fall
PFAS with Shock Absorbing Lanyard	1800 lbs (8 kN)	Refer to the instruction(s) included with your Lanyard or SRD for Free Fall limitations.
PFAS with Self Retracting Device (SRD)	1800 lbs (8 kN)	

- 2.3 FALL PATH AND SRD LOCKING SPEED:** A clear path is required to assure positive locking of an SRD. Situations which do not allow for an unobstructed fall path should be avoided. Working in confined or cramped spaces may not allow the body to reach sufficient speed to cause the SRD to lock if a fall occurs. Working on slowly shifting material, such as sand or grain, may not allow enough speed buildup to cause the SRD to lock.



- 2.4 HAZARDS:** Use of this equipment in areas with environmental hazards may require additional precautions to prevent injury to the user or damage to the equipment. Hazards may include, but are not limited to: heat, chemicals, corrosive environments, high voltage power lines, explosive or toxic gases, moving machinery, sharp edges, or overhead materials that may fall and contact the user or Personal Fall Arrest System.
- 2.5 FALL CLEARANCE:** Figure 3 illustrates the components of a Fall Arrest. There must be sufficient Fall Clearance (FC) to arrest a fall before the user strikes the ground or other obstruction. Clearance is affected by a number of factors including: Anchorage Location, (A) Lanyard Length, (B) Lanyard Deceleration Distance or SRD Maximum Arrest Distance, (C) Harness Stretch and D-Ring/Connector Length and Settling. Refer to the instructions included with your Fall Arrest subsystem for specifics regarding Fall Clearance calculation.
- 2.6 SWING FALLS:** Swing Falls occur when the anchorage point is not directly above the point where a fall occurs (see Figure 4). The force of striking an object in a swing fall may cause serious injury or death. Minimize swing falls by working as directly below the anchorage point as possible. Do not permit a swing fall if injury could occur. Swing falls will significantly increase the clearance required when a Self-Retracting Device or other variable length connecting subsystem is used.
- 2.7 COMPONENT COMPATIBILITY:** 3M equipment is designed for use with 3M approved components and subsystems only. Substitutions or replacements made with non-approved components or subsystems may jeopardize compatibility of equipment and may affect the safety and reliability of the complete system.

- 2.8 CONNECTOR COMPATIBILITY:** Connectors are considered to be compatible with connecting elements when they have been designed to work together in such a way that their sizes and shapes do not cause their gate mechanisms to inadvertently open regardless of how they become oriented. Contact 3M if you have any questions about compatibility.

Connectors (hooks, carabiners, and D-rings) must be capable of supporting at least 5,000 lbs. (22.2 kN). Connectors must be compatible with the anchorage or other system components. Do not use equipment that is not compatible. Non-compatible connectors may unintentionally disengage (see Figure 5). Connectors must be compatible in size, shape, and strength. If the connecting element to which a snap hook or carabiner attaches is undersized or irregular in shape, a situation could occur where the connecting element applies a force to the gate of the snap hook or carabiner (A). This force may cause the gate to open (B), allowing the snap hook or carabiner to disengage from the connecting point (C).

Self-locking snap hooks and carabiners are required by ANSI Z359 and OSHA.

- 2.9 MAKING CONNECTIONS:** Snap hooks and carabiners used with this equipment must be self-locking. Ensure all connections are compatible in size, shape and strength. Do not use equipment that is not compatible. Ensure all connectors are fully closed and locked. 3M connectors (snap hooks and carabiners) are designed to be used only as specified in each product's user's instructions. See Figure 6 for examples of inappropriate connections. Do not connect snap hooks and carabiners:
- A. To a D-ring to which another connector is attached.
  - B. In a manner that would result in a load on the gate. Large throat snap hooks should not be connected to standard size D-rings or similar objects which will result in a load on the gate if the hook or D-ring twists or rotates, unless the snap hook complies is equipped with a 3,600 lb (16 kN) gate. Check the marking on your snap hook to verify that it is appropriate for your application.
  - C. In a false engagement, where features that protrude from the snap hook or carabiner catch on the anchor, and without visual confirmation seems to be fully engaged to the anchor point.
  - D. To each other.
  - E. Directly to webbing or rope lanyard or tie-back (unless the manufacturer's instructions for both the lanyard and connector specifically allows such a connection).
  - F. To any object which is shaped or dimensioned such that the snap hook or carabiner will not close and lock, or that roll-out could occur.
  - G. In a manner that does not allow the connector to align properly while under load.

### 3.0 INSTALLATION

*Installation of the DBI-SALA Roof Top Counterweight Anchor must be supervised by a Qualified Person<sup>1</sup>. The installation must be certified by a Competent Person<sup>2</sup> as meeting the criteria for a Certified Anchorage, or that it is capable of supporting the potential forces that could be encountered during a fall.*

**3.1 PLANNING:** Plan your fall protection system prior to installation of the Roof Top Counterweight Anchor. Account for all factors that may affect your safety before, during and after a fall. Consider all requirements, limitations, and specifications defined in Section 2 and Table 1. Determine the proper location of the Roof Top Counterweight Anchor. It must be flat (5° slope or less) and be at least 8 ft (2.5 m) away from the edge of the structure or any openings such as skylights or doorways, and as close as possible to the work area (Figure 7).

*Fall Clearance: Users must add 5 ft (1.5 m) into fall clearance calculations to account for any movement in the counterweight anchor base while arresting a fall.*

**3.2 INSTALLING THE ROOF TOP COUNTERWEIGHT ANCHOR:** The Roof Top Counterweight Anchor can be installed on any roof meeting the anchorage requirements specified in Table 1. Sweep the installation location to remove loose materials. To install the Roof Top Counterweight Anchor (Figure 9):

1. Lay out the Rubber Coated Counterweight Plates on the flat surface as the base counterweights for the system. L-Bolts will be inserted through one of the two holes in each of the Rubber Coated Counterweight Plates.
2. Install the L-Bolt by lifting the Rubber Coated Counterweight Plate and insert the L-Bolt through one of the two holes in each base counterweight from the bottom, up through the hole and returning the Rubber Coated Counterweight Plate back to the flat surface. Alternate the direction of each L-Bolt.
3. Temporarily position the Roof Top Anchor on the base counterweights and L-Bolts to confirm the L-Bolts are oriented correctly in the base counterweights.
4. After confirmation of the L-Bolt orientation, remove the Rooftop Anchor from the base counterweights. Stack two additional counterweights on each base counterweight with the L-Bolts protruding through the matching holes.
5. Position the Roof Top Anchor on the L-Bolts and counterweight stacks. Make sure each L-Bolt passes through one of the mounting holes in the Roof Top Anchor.
6. Add the final layer of counterweights to overlap the Roof Top Anchor while ensuring the L-Bolts protrude through the same holes as the previously added counterweights. A total of 16 counterweights are used in this Roof Top Counterweight Anchor system.
7. Install a washer and nut on each of the L-Bolts. Hand tighten all four nuts securely. Use of tools may result in over-tightening, possibly damaging the system.

### 4.0 USE

**4.1 BEFORE EACH USE:** Verify that your work area and Personal Fall Arrest System (PFAS) meet all criteria defined in Section 2 and a formal Rescue Plan is in place. Inspect the Roof Top Counterweight Anchor per the 'User' inspection points defined on the "Inspection and Maintenance Log" (Table 2).

*If the Roof Top Counterweight Anchor is subjected to the forces of arresting a fall, it must be removed from service immediately and replaced or inspected by a Competent Person.*

*The system is rated for both Fall Arrest and Fall Restraint, and it is recommended that the system be configured in fall restraint whenever possible. Work positioning is not advised with this system as it may cause premature deployment of the anchor module requiring it to be removed from service until repair or replacement.*

**4.2 FALL ARREST CONNECTIONS:** The Roof Top Counterweight Anchor is used with a Full Body Harness and Energy Absorbing Lanyard or Self-Retracting Device (SRD). Connect the Lanyard or SRD between the D-Ring on the Roof Top Counterweight Anchor and the back Dorsal D-Ring on the Harness as instructed in the instructions included with the Lanyard or SRD.

### 5.0 INSPECTION

**5.1 INSPECTION FREQUENCY:** The Roof Top Counterweight Anchor must be inspected at the intervals defined in Section 1. Inspection procedures are described in the "Inspection and Maintenance Log" (Table 2). Inspect all other components of the Fall Protection System per the frequencies and procedures defined in the manufacturer instructions.

**5.2 DEFECTS:** If inspection reveals an unsafe or defective condition, remove the Roof Top Counterweight Anchor from service. Do not attempt to repair the Fall Arrest System beyond the hardware replacement allowed in Table 2. Remove the system from service, mark it with "DO NOT USE". Contact 3M regarding replacement or repair.

*Only 3M or parties authorized in writing may make repairs to this equipment.*

*After equipment has been removed from service, it may not be returned to service until a Competent Person confirms in writing that it is acceptable to do so.*

**5.3 PRODUCT LIFE:** The functional life of the Fall Arrest System is determined by work conditions and maintenance. As long as the product passes inspection criteria, it may remain in service.

**5.3 SERVICE:** Only 3M or parties authorized in writing by 3M may make repairs to this equipment.

If the Roof Top Counterweight Anchor is subjected to the forces of arresting a fall, it must be removed from service immediately and replaced, or inspected by a Competent Person.

**Authorized Repairs:** Only 3M or parties authorized in writing may make repairs to this equipment or return it to service after a failed inspection.

**5.4 PRODUCT LIFE:** The functional life of the Fall Arrest System is determined by work conditions and maintenance. As long as the product passes inspection criteria, it may remain in service.

**6.0 MAINTENANCE, SERVICING, STORAGE**


**6.1 CLEANING:** Periodically clean the Roof Top Counterweight Anchor metal components with a soft brush, warm water, and a mild soap solution. Ensure parts are thoroughly rinsed with clean water.

**6.3 STORAGE AND TRANSPORT:** When not in use, store and transport the Roof Top Counterweight Anchor and associated fall protection equipment in a cool, dry, clean environment out of direct sunlight for storage. Avoid areas where chemical vapors may exist. Thoroughly inspect components after extended storage.

**7.0 LABELS**

Figure 9 illustrates labels on the Roof Top Counterweight Anchor. Labels must be replaced if they are not fully legible. Information provided on each label is as follows:

Ⓐ

 Read all instructions.

1) Year and Month Manufactured / Lot Number 2) Notified Body ID 3) Safety Standard 4) Product Model Number



# INFORMATION DE SÉCURITÉ

**Veillez lire, comprendre et suivre toutes les informations de sécurité contenues dans ces instructions avant d'utiliser ce connecteur d'ancrage. LE NON-RESPECT DE CES INSTRUCTIONS PEUT ENTRAÎNER DES BLESSURES GRAVES, VOIRE LA MORT.**

**Ces instructions doivent être transmises à l'utilisateur de cet équipement. Veuillez conserver ces instructions pour une utilisation ultérieure.**

## Utilisation prévue :

Ce connecteur d'ancrage est prévu pour être utilisé comme partie intégrante d'un système de protection antichute personnel complet.

L'utilisation dans le cadre d'autres applications comme, sans en exclure d'autres, des activités récréatives ou liées au sport, ou d'autres activités non décrites dans les instructions destinées à l'utilisateur, n'est pas approuvée par 3M et peut entraîner des blessures graves voire la mort.

Ce dispositif doit être utilisé uniquement par des usagers formés sur les applications du lieu de travail.



## AVERTISSEMENT

Ce connecteur d'ancrage fait partie intégrante d'un système de protection antichute personnel complet. Il est attendu que tous les usagers sont entièrement formés sur l'installation sécuritaire et le fonctionnement de leur système de protection antichute personnel. **Une mauvaise utilisation de ce dispositif peut entraîner des blessures graves, voire la mort.** Pour s'assurer d'un choix, d'un fonctionnement, d'une installation, de travaux d'entretien et de réparation appropriés, reportez-vous à ces instructions de l'utilisateur ainsi qu'à toutes les recommandations du fabricant, consultez votre superviseur ou communiquez avec les services techniques de 3M.

- **Pour réduire les risques associés au travail en hauteur avec un connecteur d'ancrage qui, s'ils ne sont pas évités, pourraient entraîner de graves blessures, voire la mort :**
  - Inspectez le dispositif avant chaque utilisation, au moins annuellement, et après chaque cas de chute. Réalisez l'inspection conformément aux instructions de l'utilisateur.
  - Si l'inspection révèle l'existence d'une défektivité ou d'un problème affectant la sécurité, mettez l'équipement hors service et faites-le réparer ou remplacez-le conformément à ces instructions.
  - Tout dispositif ayant été soumis à un arrêt de chute ou à une force d'impact doit être immédiatement retiré du service et détruit.
  - Ce dispositif ne doit être installé que sur les structures ou dans les substrats spécifiés, comme il est précisé dans les instructions de l'utilisateur. Toute installation ou utilisation qui est hors de la portée de ces instructions doit être approuvée par le service de protection antichute de 3M.
  - La structure ou le substrat auquel le connecteur d'ancrage est fixé doit pouvoir résister aux charges statiques précisées pour le dispositif d'ancrage dans les sens permis indiqués dans les instructions de l'utilisateur.
  - Ne connectez les autres sous-systèmes de protection antichute qu'au point de connexion d'ancrage désigné sur le dispositif.
  - Avant de procéder au perçage ou à une fixation, assurez-vous que la perceuse ou le dispositif n'entrera pas en contact avec des lignes électriques, des conduites de gaz ou d'autres systèmes intégrés critiques.
  - Assurez-vous que les systèmes/sous-systèmes de protection antichute assemblés à partir de composants fabriqués par différents fabricants sont compatibles et répondent aux exigences des normes applicables, y compris la norme ANSI Z359 ou d'autres codes, normes ou exigences de protection antichute applicables. Consultez toujours une personne qualifiée ou compétente avant d'utiliser ces systèmes.
  
- **Pour réduire les risques associés au travail en hauteur qui, s'ils ne sont pas évités, pourraient entraîner des blessures graves, voire la mort :**
  - Assurez-vous que votre condition physique et votre état de santé vous permettent de supporter en toute sécurité toutes les forces associées au travail en hauteur. Consultez votre médecin en cas de questions sur votre capacité à utiliser cet équipement.
  - Ne dépassez jamais la capacité maximale permise de votre équipement de protection antichute.
  - Ne dépassez jamais la distance maximale de chute libre de votre équipement de protection antichute.
  - N'utilisez jamais un équipement de protection antichute qui échoue à une inspection préalable à son utilisation ou à toute autre inspection programmée ou encore si vous vous inquiétez de l'utilisation ou de la pertinence de l'équipement pour votre application. En cas de questions, n'hésitez pas à communiquer avec les services techniques de 3M.
  - Certaines combinaisons de sous-systèmes et de composants peuvent gêner le fonctionnement de cet équipement. N'utilisez que des connecteurs compatibles. Consultez 3M avant d'employer cet équipement conjointement avec des composants ou des sous-systèmes autres que ceux décrits dans les instructions à l'utilisateur.
  - Prenez des précautions supplémentaires lorsque vous travaillez à proximité d'une machinerie mobile (p. ex. l'entraînement supérieur d'une plateforme pétrolière), risques électriques, températures extrêmes, risques chimiques, gaz explosifs ou toxiques, bords tranchants ou matériaux en suspension pouvant endommager l'utilisateur ou l'équipement.
  - Lorsque vous travaillez dans un environnement où la chaleur est élevée, utilisez des appareils dont l'usage se fait en environnement chaud ou en présence d'arc électrique.
  - Évitez les surfaces et les objets qui pourraient endommager l'équipement de l'utilisateur.
  - Lorsque vous travaillez en hauteur, vérifiez d'abord que la distance d'arrêt est adéquate.
  - Ne modifiez jamais votre équipement de protection antichute. Seules 3M ou les parties autorisées par écrit par 3M sont en droit d'effectuer des réparations sur cet équipement.
  - Avant d'utiliser un équipement de protection antichute, assurez-vous qu'un plan de sauvetage est en place et permet un sauvetage rapide en cas de chute.
  - Si un tel incident devait se produire, obtenez des soins médicaux immédiats pour le travailleur tombé.
  - N'utilisez pas de ceinture de travail dans les applications de protection antichute. N'utilisez qu'un harnais de sécurité complet.
  - Vous pouvez réduire les chutes oscillantes en travaillant aussi près que possible de l'ancrage.
  - Si ce dispositif est utilisé en formation, un second système de protection antichute doit être utilisé aussi de façon à ne pas exposer le stagiaire à un danger de chute involontaire.
  - Portez toujours un équipement de protection individuelle approprié lors de l'installation, de l'utilisation ou de l'inspection du dispositif/système.

Avant d'installer et d'utiliser cet équipement, consigner l'information d'identification de produit de l'étiquette d'identification dans le Journal d'inspection et d'entretien (tableau 2) à la fin de ce manuel.

#### DESCRIPTION DU PRODUIT :

La figure 1 montre l'ancrage de toiture avec contrepoids DBI-SALAMC 3MMC. L'ancrage de toiture avec contrepoids est un connecteur d'ancrage à point unique destiné au système antichute individuel et conçu pour être installé sur une surface plane.

La figure 2 montre les composants de l'ancrage de toiture avec contrepoids. Consulter le tableau 1 pour les spécifications des composants. L'ancrage de toiture avec contrepoids est composé d'un point de fixation (B) fixé à l'ancrage de toiture (A). Il est fixé aux plaques de contrepoids (F) et aux plaques de contrepoids enduites de plastisol (G) avec boulons en L (C), des rondelles (E) et des écrous (D). Le sous-système antichute se connecte au point de fixation (B).

### Tableau 1 – Spécifications

Spécifications du système :	
<b>Capacité :</b>	Le poids combiné d'une personne (avec vêtements, outils, etc.) ne doit pas dépasser 140 kg (310 lb).
<b>Ancrage :</b>	<p><b>Système antichute :</b> La structure à laquelle le connecteur d'ancrage est installé doit pouvoir soutenir des charges statiques appliquées dans les directions autorisées par le système antichute d'au moins : 22,2 kN (5 000 lb).</p> <p>Le système d'ancrage de toiture avec contrepoids ne doit pas être utilisé dans de mauvaises conditions atmosphériques. La surface de la toiture doit être exempte de givre, de neige, d'eau stagnante, de graisse ou d'huile, ou de toute autre matière lubrifiante ou réductrice de frottement.</p> <div style="border: 1px solid black; padding: 5px; margin: 5px 0;"> <input checked="" type="checkbox"/> Le système d'ancrage de toiture avec contrepoids est approuvé pour une utilisation sur les types de toitures suivants : béton, bitume et asphalte poncé.         </div> <p><b>Charge statique :</b> La toiture doit pouvoir supporter une charge statique de 334 kg (735 lb).</p>
<b>Dimensions :</b>	Voir la figure 1 pour connaître les dimensions du modèle d'ancrage de toiture avec contrepoids.
<b>Poids du produit :</b>	Voir la figure 1 pour connaître le poids du modèle d'ancrage de toiture avec contrepoids.
<b>Normes :</b>	OSHA 1926.502 ou OSHA 1910.140 lorsqu'il est configuré par une personne qualifiée au sein d'un système antichute complet.

Spécifications des composants :			
Figure 2 Référence	Composant	Matériau	Remarque :
(A)	Ancrage de toiture	Aluminium, acier avec revêtement en poudre	
(B)	Point de fixation	Acier inoxydable	
(C)	Boulons en L	Acier galvanisé	
(D)	Écrous	Acier galvanisé	
(E)	Rondelles	Acier inoxydable	
(F)	Plaques de contrepoids	Fonte grise	
(G)	Plaques de contrepoids enduites de caoutchouc	Fonte grise et plastisol	
(H)	Étiquettes	Polyester	

## 1.0 APPLICATION DU PRODUIT

**1.1 OBJECTIF :** Les connecteurs d'ancrage sont conçus pour fournir des points de raccordement d'ancrage pour les systèmes antichute ainsi que pour les systèmes de retenue, de positionnement de travail et/ou de sauvetage en fonction des utilisations autorisées pour chaque produit. Dans les sections 3 à 7 de chaque connecteur d'ancrage on retrouve des renseignements détaillés sur les utilisations autorisées, les points d'ancrage et les exigences d'ancrage.

**Pour la protection contre les chutes seulement :** Ce connecteur d'ancrage est conçu pour le raccordement du matériel de protection contre les chutes. Ne pas raccorder d'équipement de levage au connecteur d'ancrage.

**1.2 NORMES :** Votre connecteur d'ancrage est conforme à la ou aux normes nationales ou régionales identifiées sur la couverture avant de ces instructions. Si ce produit est revendu en dehors du pays d'origine de destination, le revendeur doit fournir ces instructions dans la langue du pays dans lequel le produit sera utilisé.

**1.3 SUPERVISION :** L'utilisation de ce matériel doit être supervisée par une personne compétente<sup>1</sup>.

**1.4 FORMATION :** Ce matériel doit être installé et utilisé par des personnes formées pour que son application soit appropriée. Ce manuel doit être utilisé dans le cadre d'un programme de formation pour les employés, comme l'exigent l'ANSI et l'OSHA et/ou la réglementation régionale. L'utilisateur et l'installateur de cet équipement sont tenus de se familiariser avec les présentes instructions, de suivre une formation afin de maintenir et d'utiliser correctement cet équipement et de bien connaître les caractéristiques opérationnelles, les limites des applications ainsi que les conséquences d'une utilisation inappropriée de cet équipement.

**1.5 PLAN DE SAUVETAGE :** Pour l'utilisation de ce matériel et des sous-systèmes de raccordement, l'employeur doit avoir un plan de sauvetage et les moyens de le mettre en œuvre et de le communiquer aux utilisateurs, aux personnes autorisées<sup>2</sup> et aux sauveteurs<sup>3</sup> Il est conseillé d'avoir une équipe de sauvetage formée présente sur place. Les membres de l'équipe doivent disposer du matériel ainsi que des connaissances techniques pour accomplir un sauvetage réussi. La formation doit être répétée régulièrement afin d'assurer l'efficacité des sauveteurs.

**1.6 FRÉQUENCE D'INSPECTION :** Le connecteur d'ancrage doit être inspecté par l'utilisateur avant chaque utilisation ainsi que par une personne compétente autre que l'utilisateur à des intervalles n'excédant pas une fois par année<sup>4</sup>. Les procédures d'inspection sont décrites dans le « Journal d'inspection et d'entretien ». Les résultats de chaque inspection effectuée par une personne qualifiée doivent être consignés sur des copies du « Journal d'inspection et d'entretien ».

**1.7 APRÈS UNE CHUTE :** Si le connecteur d'ancrage est soumis aux forces d'arrêt d'une chute, il doit être retiré du service immédiatement, indiquer clairement « NE PAS UTILISER », puis être détruit ou retourné à 3M pour remplacement ou réparation.

## 2.0 EXIGENCES DU SYSTÈME

**2.1 ANCRAGE :** Les exigences de structure d'ancrage varient selon l'application du système et le fait qu'il s'agisse d'un ancrage homologué<sup>5</sup> ou d'un ancrage non homologué<sup>6</sup>. La structure à laquelle le système d'arrêt de chute, de retenue, de positionnement ou de secours est attaché doit supporter des charges statiques appliquées dans les directions autorisées comme indiqué dans le tableau suivant. Les exigences en matière de résistance d'ancrage, de même que les applications du système, sont détaillées ci-dessous, à moins d'être notées ou définies d'une autre façon dans le Tableau 1 :

Système de protection contre les chutes	Ancrage homologué <sup>9</sup>	Ancrage non homologué <sup>10</sup>	Défini par
Système antichute	2 fois la force d'arrêt maximale	22,2 kN (5 000 lb)	OSHA, ANSI
Dispositif de retenue/ restriction du déplacement	2 fois la force prévisible	4,4 kN (1 000 lb) selon ANSI 22,2 kN (5 000 lb) selon OSHA	OSHA, ANSI
Positionnement de travail	2 fois la force prévisible	13,3 kN (3 000 lb)	OSHA, ANSI
Sauvetage	5 fois la charge appliquée	13,3 kN (3 000 lb)	ANSI

Lorsque plusieurs équipements sont fixés à un ancrage, les forces indiquées ci-dessus doivent être multipliées par le nombre d'équipements de sauvetage fixés à l'ancrage. Consulter la section ANSI Z359.2 pour de plus amples informations.

**2.2 SYSTÈME ANTICHUTE INDIVIDUEL :** La figure 1 illustre l'utilisation de ce connecteur d'ancrage. Les systèmes antichute individuels utilisés avec ce système doivent être conformes aux normes, aux codes et aux exigences applicables en matière de protection contre les chutes. Le système antichute individuel doit comporter un harnais de sécurité complet et limiter la force d'arrêt conformément aux valeurs suivantes :

	Force d'arrêt maximale	Chute libre
<b>Système antichute individuel avec long amortisseur de choc</b>	8 kN (1 800 lb)	Consulter les instructions incluses avec la longe ou le dispositif autorétractable pour obtenir de plus amples renseignements sur les limites associées aux chutes libres.
<b>Système antichute individuel avec dispositif autorétractable</b>	8 kN (1 800 lb)	

**2.3 TRAJECTOIRE DE CHUTE ET VITESSE DE BLOCAGE DU DISPOSITIF AUTORÉTRACTABLE :** Une trajectoire de chute non obstruée est nécessaire pour que le dispositif autorétractable se bloque normalement. Les situations sans trajectoire de chute non obstruée doivent être évitées. Lorsqu'une personne travaille dans un espace réduit ou étroit, il est possible qu'en cas de chute, le corps ne puisse pas atteindre une vitesse suffisante pour que le dispositif autorétractable se bloque. De même, il est possible qu'une personne travaillant sur un matériau instable, comme du sable ou du grain, ne puisse pas chuter à une vitesse suffisante pour bloquer le dispositif autorétractable.

**1 Personne compétente :** Personne capable de reconnaître les dangers existants et prévisibles au sein du milieu de travail ou les conditions de travail insalubres, risquées ou dangereuses pour les employés, et qui possède l'autorisation pour apporter des mesures correctives diligentes pour les éliminer.

**2 Personne autorisée :** Une personne affectée par l'employeur et chargée d'exécuter des travaux à un emplacement qui l'expose à un danger de chute.

**3 Sauveteur :** Toute personne autre que la personne secourue effectuant un sauvetage assisté à l'aide d'un système de sauvetage.

**4 Fréquence d'inspection :** Des conditions de travail extrêmes (environnements rigoureux, utilisation prolongée, etc.) peuvent nécessiter des inspections plus fréquentes de la part de personnes qualifiées.

**5 Ancrage homologué :** Un ancrage pour les systèmes antichute, de positionnement, de limitation de chute ou de sauvetage qu'une personne qualifiée juge capable de satisfaire aux critères en matière d'ancrage homologué conformément à la section 2.1.

**6 Ancrage non homologué :** Un ancrage pour un système antichute qu'une personne compétente peut juger capable de supporter les forces d'ancrage prédéterminées énumérées à la section 2.1.

- 2.4 DANGERS :** L'utilisation de cet équipement dans des zones de dangers environnementaux peut exiger de prendre des précautions additionnelles afin d'éviter que l'utilisateur ne se blesse ou que l'équipement ne subisse des dommages. Les risques peuvent comprendre, notamment et sans limitation : la chaleur, les produits chimiques, les environnements corrosifs, les lignes électriques à haute tension, les gaz explosifs ou toxiques, de la machinerie en mouvement, les bords acérés ou les matériaux suspendus pouvant tomber et entrer en contact avec l'utilisateur ou le système antichute individuel.
- 2.5 DÉGAGEMENT DE CHUTE :** La figure 3 illustre les composants du dispositif antichute. Le dégagement de chute (DC) sous l'utilisateur doit être suffisant pour arrêter la chute avant qu'il n'entre en contact avec le sol ou tout autre obstacle. Le dégagement est affecté par un certain nombre de facteurs, notamment : emplacement de l'ancrage, (A) longueur de la longe, (B) distance de décélération de la longe ou distance d'arrêt maximale du dispositif autorétractable (C) étirement du harnais et affaissement et longueur de l'anneau en D/du connecteur. Se reporter aux directives fournies avec le sous-système antichute pour de plus amples détails sur le calcul du dégagement de chute.
- 2.6 CHUTES AVEC MOUVEMENT DE BALANCIER :** Les chutes avec mouvement de balancier se produisent lorsque le point d'ancrage ne se trouve pas directement au-dessus du point où une chute se produit (voir la figure 4). Si un objet est heurté pendant le mouvement de balancier, la force peut être importante et causer des blessures graves ou la mort. Minimiser les risques de chutes avec mouvement de balancier en travaillant le plus directement possible sous le point d'ancrage. Éviter toute chute avec mouvement de balancier s'il y a un risque de blessure. Les chutes avec mouvement de balancier requièrent une plus grande distance d'arrêt lors de l'utilisation d'une ligne de vie autorétractable ou de tout autre sous-système de connexion à longueurs variables.
- 2.7 COMPATIBILITÉ DES COMPOSANTS :** L'équipement 3M est destiné à être utilisé uniquement avec des composants et des sous-systèmes approuvés par 3M. Les substitutions ou les remplacements effectués avec des composants ou des sous-systèmes non approuvés peuvent affecter la compatibilité de l'équipement ainsi que la sécurité et la fiabilité du système dans son ensemble.
- 2.8 COMPATIBILITÉ DES CONNECTEURS :** Les connecteurs sont jugés compatibles avec les éléments de connexion lorsqu'ils ont été conçus pour travailler conjointement et de telle manière que leurs tailles et formes n'entraînent pas l'ouverture des mécanismes, quelle que soit leur orientation. Communiquer avec 3M pour toute question sur la compatibilité.
- Les connecteurs (crochets, mousquetons et anneaux en D) doivent pouvoir supporter une charge minimale de 22,2 kN (5 000 lb). Ils doivent être compatibles avec l'ancrage ou d'autres composants du système. Ne pas utiliser de matériel non compatible. Les connecteurs non compatibles peuvent se désengager accidentellement (voir la figure 5). La taille, la forme et la résistance des connecteurs doivent être compatibles. Si le connecteur sur lequel se fixe le crochet à ressort ou le mousqueton est trop petit ou de forme irrégulière, celui-ci risque d'exercer une force sur la clavette du crochet à ressort ou du mousqueton (A). Cette force peut entraîner l'ouverture de la clavette (B), permettant ainsi au crochet à ressort ou au mousqueton de se désengager du point d'attache (C).
- La norme Z359 de l'ANSI et l'OSHA exigent l'utilisation de crochets à ressort et de mousquetons autoverrouillables.
- 2.9 RACCORDEMENTS :** Les crochets à ressort et les mousquetons utilisés avec ce matériel doivent être autoverrouillables. S'assurer que la taille, la forme et la résistance de tous les raccords sont compatibles. Ne pas utiliser de matériel non compatible. S'assurer que tous les connecteurs sont complètement fermés et verrouillés.
- Les connecteurs 3M (crochets à ressort et mousquetons) sont conçus pour être utilisés uniquement selon les instructions propres à chacun des produits. Consulter la figure 6 pour obtenir des exemples de raccords inappropriés. Ne pas connecter de crochet à ressort et de mousqueton :
- À un anneau en D sur lequel un autre connecteur est raccordé.
  - D'une manière qui entraînerait une charge sur la clavette. Les crochets à ressort à ouverture large ne doivent pas être raccordés à des anneaux en D de taille standard ou à d'autres objets semblables, au risque d'entraîner une charge sur la clavette si le crochet ou l'anneau en D se déforme ou pivote, sauf si le crochet à ressort est équipé d'une clavette de 16 kN (3 600 lb) de capacité. Vérifier les directives sur le crochet à ressort afin d'assurer qu'il convient à l'application.
  - En cas de fixation défectueuse, où certains éléments qui dépassent du crochet à ressort ou du mousqueton se prennent dans le point d'ancrage et semblent être totalement pris dans le point d'ancrage sans pouvoir le vérifier visuellement.
  - L'un à l'autre.
  - Directement à une sangle, une longe en corde ou à un nœud coulant (sauf s'il est indiqué dans les directives du fabricant de la longe et du connecteur qu'un tel raccord est permis).
  - À un objet dont la forme ou la dimension bloque la fermeture et le verrouillage du crochet à ressort ou du mousqueton ou pourrait provoquer leur décrochage.
  - S'ils ne permettent pas au connecteur de s'aligner correctement alors qu'il est sous tension.



### 3.0 INSTALLATION

Une personne qualifiée doit superviser l'installation de l'ancrage de toiture avec contrepoids DBI-SALA<sup>1</sup>. L'installation doit être certifiée par une personne qualifiée<sup>2</sup> comme étant conforme aux critères d'un ancrage homologué ou capable de supporter les forces potentielles qui peuvent être générées lors d'une chute.

**3.1 PLANIFICATION :** Planifier la configuration du système de protection contre les chutes avant l'installation de l'ancrage de toiture avec contrepoids. Prendre en compte tous les facteurs qui pourraient affecter la sécurité avant, pendant et après une chute. Tenir compte de toutes les exigences, restrictions et spécifications indiquées dans la section 2 et le tableau 1. Déterminer l'emplacement approprié de l'ancrage de toiture avec contrepoids. Il doit être à plat (pente de 5° ou moins) et positionné à au moins 2,5 m (8 pi) du rebord de la structure ou de toute ouverture, comme des puits de lumière ou des cadres de porte, et aussi près que possible de la zone de travail (figure 7).

**Dégagement de chute :** Les utilisateurs doivent ajouter 1,5 m (5 pi) au total calculé pour le dégagement de chute afin de prendre en compte tout mouvement du socle de l'ancrage avec contrepoids lors de l'arrêt d'une chute.

**3.2 INSTALLATION DE L'ANCRAGE DE TOITURE AVEC CONTREPOIDS :** Il est possible d'installer l'ancrage de toiture avec contrepoids sur n'importe quelle toiture répondant aux exigences d'ancrage indiquées dans le tableau 1. Balayer l'emplacement d'installation afin d'éliminer toutes les matières lâches. Pour installer l'ancrage de toiture avec contrepoids (figure 9) :

1. Disposer les plaques de contrepoids enduites de caoutchouc sur la surface plane comme contrepoids de base pour le système. Des boulons en L seront insérés dans l'un des deux trous de chacune des plaques de contrepoids enduites de caoutchouc.
2. Installer le boulon en L en soulevant la plaque de contrepoids enduite de caoutchouc et l'insérer dans l'un des deux trous de chaque contrepoids de base depuis le bas en ramenant la plaque de contrepoids enduite de caoutchouc sur la surface plane. Alterner le sens de chaque boulon en L.
3. Positionner provisoirement l'ancrage de toiture sur les contrepoids de base et les boulons en L afin de confirmer si les boulons en L sont correctement orientés dans les contrepoids de base.
4. Après confirmation de l'orientation du boulon en L, retirer l'ancrage de toiture des contrepoids de base. Empiler deux contrepoids supplémentaires sur chaque contrepoids de base en laissant les boulons en L dépasser des trous correspondants.
5. Positionner l'ancrage de toiture sur les boulons en L et les piles de contrepoids. S'assurer que chaque boulon en L traverse un des trous de fixation dans l'ancrage de toiture.
6. Ajouter la dernière couche de contrepoids pour faire chevaucher l'ancrage de toiture tout en s'assurant que les boulons en L dépassent des mêmes trous que les contrepoids ajoutés précédemment. Le système d'ancrage de toiture avec contrepoids utilise un total de 16 contrepoids.
7. Installer une rondelle et un écrou sur chaque boulon en L. Serrer fermement à la main les quatre écrous. L'utilisation d'outils peut entraîner un serrage excessif, et même endommager le système.

### 4.0 UTILISATION

**4.1 AVANT CHAQUE UTILISATION :** Vérifier que votre zone de travail et le système antichute individuel répondent à tous les critères définis à la Section 2 et qu'un plan de sauvetage est en place. Inspecter l'ancrage de toiture avec contrepoids en suivant les points d'inspection « Utilisateur » définis dans le « Journal d'inspection et d'entretien » (tableau 2).

Si l'ancrage de toiture avec contrepoids a été soumis à des forces résultant de l'arrêt d'une chute, il doit être mis immédiatement hors service et remplacé ou inspecté par une personne compétente.

Le système est conçu pour les dispositifs antichute et les dispositifs de retenue. Il est également recommandé que le système soit configuré en tant que dispositif antichute chaque fois que possible. Le positionnement de travail est déconseillé pour ce système, car il peut entraîner un déploiement prématuré du module d'ancrage, ce qui oblige à le retirer du service jusqu'à sa réparation ou son remplacement.

**4.2 CONNEXIONS POUR SYSTÈME ANTICHUTE :** L'ancrage de toiture avec contrepoids est utilisé avec un harnais de sécurité complet et une longe amortisseur de choc ou un dispositif autorétractable. Raccorder la longe ou le dispositif autorétractable entre l'anneau en D de l'ancrage de toiture avec contrepoids et l'anneau en D dorsal à l'arrière du harnais, comme indiqué dans les instructions comprises avec la longe ou le dispositif autorétractable.

### 5.0 INSPECTION

**5.1 FRÉQUENCE D'INSPECTION :** L'ancrage de toiture avec contrepoids doit être inspecté aux intervalles définis dans la section 1. Les procédures d'inspection sont décrites dans le « Journal d'inspection et d'entretien » (tableau 2). Inspecter tous les autres composants du système de protection contre les chutes selon les fréquences et les procédures définies dans les directives du fabricant.

**5.2 DÉFAUTS :** Si l'inspection révèle une condition dangereuse ou un état défectueux, mettre l'ancrage de toiture avec contrepoids hors service. Ne pas essayer de réparer le système antichute au-delà du remplacement des accessoires autorisé au tableau 2. Mettre le système hors service et y inscrire « NE PAS UTILISER ». Communiquer avec 3M concernant le remplacement ou la réparation.

Seules 3M ou les parties autorisées par écrit peuvent réparer cet équipement.

Une fois que l'équipement a été mis hors service, il ne peut pas être remis en service avant qu'une personne compétente confirme par écrit qu'il est acceptable de le faire.

**1 Personne qualifiée :** Une personne possédant un diplôme ou un certificat professionnel et une expérience approfondie en protection contre les chutes. Cette personne doit être en mesure de concevoir, d'analyser, d'évaluer et de spécifier des systèmes de protection contre les chutes.

**2 Personne compétente :** Personne capable de reconnaître les dangers existants et prévisibles au sein du milieu de travail ou les conditions de travail insalubres, risquées ou dangereuses pour les employés, et qui possède l'autorisation pour apporter des mesures correctives diligentes pour les éliminer.

**5.3 DURÉE UTILE DU PRODUIT :** La durée utile du système antichute est déterminée par les conditions de travail et l'entretien. Tant que le produit satisfait aux critères d'inspection, il peut être utilisé.

**5.3 SERVICE DE RÉPARATION :** Seules 3M ou les parties autorisées par écrit par 3M peuvent réparer cet équipement.

Si l'ancrage de toiture avec contrepoids a été soumis à des forces résultant de l'arrêt d'une chute, il doit être mis immédiatement hors service et remplacé ou inspecté par une personne compétente.

**Réparations autorisées :** SEULES 3M ou les parties autorisées par écrit peuvent réparer cet équipement ou le retourner au service de réparation si l'inspection a échoué.

**5.4 DURÉE UTILE DU PRODUIT :** La durée utile du système antichute est déterminée par les conditions de travail et l'entretien. Tant que le produit satisfait aux critères d'inspection, il peut être utilisé.

#### **6.0 ENTRETIEN, SERVICE ET ENTREPOSAGE**

**6.1 NETTOYAGE :** Nettoyer régulièrement les composants métalliques de l'ancrage de toiture avec contrepoids avec une brosse douce, de l'eau chaude et une solution savonneuse douce. Veiller à rincer les pièces minutieusement avec de l'eau propre.

**6.3 ENTREPOSAGE ET TRANSPORT :** Lorsqu'il n'est pas utilisé, entreposer et transporter l'ancrage de toiture avec contrepoids avec l'équipement de protection contre les chutes connexe dans un endroit frais, sec et propre à l'abri de la lumière directe du soleil. Éviter les zones présentant des vapeurs chimiques. Procéder à un examen minutieux après un entreposage prolongé.

#### **7.0 ÉTIQUETTES**

La figure 9 montre les étiquettes sur l'ancrage de toiture avec contrepoids. Si elles ne sont pas parfaitement lisibles, les étiquettes doivent être remplacées. Les informations apparaissant sur chaque étiquette sont les suivantes :

(A)	<p>Lire toutes les directives. 1) Année et mois de fabrication et numéro de lot; 2) ID de l'organisme avisé; 3) Norme de sécurité; 4) Numéro de modèle du produit</p>
-----	---



## INFORMACIÓN DE SEGURIDAD

Lea, comprenda y acate toda la información de seguridad incluida en estas instrucciones antes de utilizar este sistema de conector de anclaje. **DE NO HACERLO, PUEDEN PRODUCIRSE LESIONES O LA MUERTE.**

Estas instrucciones deben entregarse a los usuarios de este equipo. **Conserve todas las instrucciones para consultas futuras.**

### Uso pretendido:

Este conector de anclaje ha sido diseñado para utilizarse como parte de un sistema personal completo de protección contra caídas.

3M no aprueba su uso para ninguna otra aplicación, incluidas, entre otras, la manipulación de materiales, las actividades de recreación o relacionadas con el deporte, u otras actividades no descritas en las Instrucciones para el usuario, ya que podrían ocasionarse lesiones graves o la muerte.

Este dispositivo debe ser utilizado únicamente por usuarios capacitados para aplicaciones en el lugar de trabajo.

## ADVERTENCIA

Este conector de anclaje forma parte de un sistema personal completo de protección contra caídas. Se prevé que todos los usuarios estén plenamente capacitados para instalar y utilizar con seguridad el sistema de protección contra caídas. **El uso incorrecto de este dispositivo puede ocasionar lesiones graves o la muerte.** Para su selección, funcionamiento, instalación, mantenimiento y reparación en forma adecuada, consulte las Instrucciones para el usuario y todas las recomendaciones del fabricante, consulte a un supervisor, o comuníquese con el Servicio Técnico de 3M.

- **Para reducir los riesgos asociados al trabajo con un conector de anclaje, que, de no evitarse, podrían ocasionar lesiones graves o la muerte:**
  - Inspeccione el dispositivo antes de cada uso, al menos una vez por año y después de una caída. La inspección se debe realizar de acuerdo con las Instrucciones para el usuario.
  - Si la inspección revela una condición insegura o defectuosa, retire el dispositivo de servicio, y repare o reemplácelo de acuerdo con las Instrucciones para el usuario.
  - Cualquier dispositivo que haya sido sometido a las fuerzas de detención de caídas o de impacto deberá retirarse inmediatamente del servicio y destruirse.
  - El dispositivo solo debe ser instalado en sustratos especificados o en estructuras detalladas en el Manual de instrucciones. Las instalaciones y el uso fuera del alcance de las instrucciones deben ser aprobados por 3M Fall Protection.
  - La superficie o la estructura a las que se conecta el conector de anclaje deben poder soportar las cargas estáticas especificadas para el anclaje en las orientaciones que se permiten en las Instrucciones para el usuario.
  - Solo conecte otros subsistemas de protección contra caídas al punto de conexión de anclaje designado en el dispositivo.
  - Antes de perforar o ajustar, asegúrese de que el taladro o el dispositivo no entrarán en contacto con líneas eléctricas, tuberías de gas u otros sistemas integrados fundamentales.
  - Asegúrese de que los sistemas y sistemas secundarios de protección contra caídas ensamblados con componentes hechos por diferentes fabricantes sean compatibles y cumplan con los requisitos de las normas vigentes, entre ellas ANSI Z359 u otros códigos, normas o requisitos vigentes de protección contra caídas. Consulte siempre a una persona calificada o competente antes de usar estos sistemas.
- **Para reducir los riesgos asociados con el trabajo en altura que, en caso de no evitarse, podrían ocasionar lesiones graves o muerte:**
  - Asegúrese de que su estado de salud y su condición física le permitan tolerar con seguridad todas las fuerzas asociadas con el trabajo en altura. Consulte a su médico si tiene dudas acerca de su capacidad para utilizar este equipo.
  - Nunca exceda la capacidad permitida del equipo de protección contra caídas.
  - Nunca exceda la distancia máxima de caída libre del equipo de protección contra caídas.
  - No utilice ningún equipo de protección contra caídas que no haya aprobado las inspecciones anteriores al uso u otras inspecciones programadas o si tiene inquietudes acerca del uso o de la idoneidad del equipo para su aplicación. Comuníquese con los Servicios Técnicos de 3M si tiene preguntas.
  - Algunas combinaciones de sistemas secundarios y componentes pueden interferir en el funcionamiento de este equipo. Utilice solamente conexiones compatibles. Consulte con 3M antes de utilizar este equipo junto con componentes o sistemas secundarios distintos de aquellos descritos en las Instrucciones para el usuario.
  - Tome precauciones adicionales al trabajar cerca de maquinaria en movimiento (por ejemplo, el sistema de propulsión superior de una torre petrolera), si hay riesgos eléctricos, temperaturas elevadas, peligros químicos, gases tóxicos o explosivos, bordes filosos o materiales elevados que pudieran caer sobre el equipo de protección contra caídas.
  - Utilice dispositivos Arc Flash o Hot Works cuando trabaje en ambientes con temperaturas elevadas.
  - Evite superficies y objetos que podrían lesionar al usuario o dañar el equipo.
  - Asegúrese de que haya una separación de caída adecuada al trabajar en alturas.
  - Nunca modifique ni altere el equipo de protección contra caídas. Solo 3M o las entidades autorizadas por escrito por 3M pueden hacer reparaciones en el equipo.
  - Antes de usar el equipo de protección contra caídas, asegúrese de que se haya implementado un plan de rescate que permita el rescate inmediato en caso de producirse un incidente de caída.
  - Si se produce un incidente de caída, busque atención médica de inmediato para la persona accidentada.
  - No utilice cinturones corporales para detención de caídas. Utilice únicamente un arnés de cuerpo entero.
  - Trabaje en un lugar situado lo más directamente posible por debajo del punto de anclaje para minimizar la posibilidad de caídas por balanceo.
  - Si está en capacitación con este equipo, debe utilizar un sistema secundario de protección contra caídas de forma tal que el aprendiz no esté expuesto a un riesgo de caída accidental.
  - Lleve puesto siempre un equipo de protección personal apropiado cuando instale, utilice o revise el dispositivo/sistema.

Antes de instalar y utilizar este equipo, anote la información de identificación del producto que figura en la etiqueta de identificación que se encuentra en el Registro de inspección y mantenimiento (Tabla 2), en la parte posterior de este manual.

### DESCRIPCIÓN DEL PRODUCTO:

La Figura 1 ilustra el anclaje con contrapeso para techo DBI-SALA™ de 3M™. El anclaje con contrapeso para techo es un conector de anclaje de un solo punto para un sistema personal de detención de caídas diseñado para instalarse en una superficie plana.

La Figura 2 ilustra los componentes del anclaje con contrapeso para techo. Consulte las especificaciones de los componentes en la Tabla 1. El anclaje con contrapeso para techo se compone de un punto de fijación (B) sujeto al anclaje para techo (A). Esto se fija a las placas de contrapeso (F) y a las placas de contrapeso recubiertas de plastisol (G) con pernos en L (C), arandelas (E) y tuercas (D). El sistema secundario de detención de caídas se conecta con el punto de fijación (B).

**Tabla 1 – Especificaciones**

Especificaciones del sistema:	
<b>Capacidad:</b>	Una (1) persona con un peso combinado (ropa, herramientas, etc.) no mayor de 310 lbs (140 kg).
<b>Anclaje:</b>	<p><b>Detención de caídas:</b> La estructura a la que se fija el conector de anclaje debe resistir cargas estáticas aplicadas en las direcciones permitidas por el sistema de detención de caídas, de al menos: 5000 lb (22,2 kN).</p> <p>El anclaje con contrapeso para techo no debe usarse en condiciones climáticas adversas. La superficie del techo debe estar libre de escarcha, nieve, restos de agua, grasa o aceite, o cualquier otro tipo de materiales lubricantes o reductores de fricción.</p> <div style="border: 1px solid black; padding: 5px; margin: 5px 0;"> <input checked="" type="checkbox"/> El sistema de anclaje con contrapeso para techo está aprobado para su uso en los siguientes tipos de techos: hormigón, betún y asfalto lijado.         </div> <p><b>Carga estática: el techo debe poder resistir una carga estática de 735 lb (334 kg).</b></p>
<b>Dimensiones:</b>	Consulte la Figura 1 para conocer las dimensiones del modelo de anclaje con contrapeso para techo.
<b>Peso del producto:</b>	Consulte la Figura 1 para ver el peso del modelo de anclaje con contrapeso para techo.
<b>Estándares:</b>	OSHA 1926.502 u OSHA 1910.140 cuando lo configura una persona calificada como parte de un sistema completo de detención de caídas.

Especificaciones de los componentes:			
Referencia de la Figura 2	Componente	Materiales	Nota:
(A)	Anclaje para techo	Aluminio, acero con revestimiento electrostático de pintura en polvo	
(B)	Punto de fijación	Acero inoxidable	
(C)	Pernos en L	Acero galvanizado	
(D)	Tuercas	Acero galvanizado	
(E)	Arandelas	Acero inoxidable	
(F)	Placas de contrapeso	Hierro gris	
(G)	Placas de contrapeso recubiertas de caucho	Hierro gris y plastisol	
(H)	Etiquetas	Poliéster	

## 1.0 APLICACIÓN DEL PRODUCTO

**1.1 FINALIDAD:** Los conectores de anclaje están diseñados para brindar puntos de conexión de anclaje para los sistemas de detención de caídas, restricción de caídas, posicionamiento en el trabajo o rescate, según los usos permitidos para cada producto. Cada conector de anclaje tiene información detallada sobre los usos permitidos, los puntos de anclaje y los requisitos de anclaje en las secciones 3 a 7.

**Solo protección contra caídas:** Este conector de anclaje es para conectar el equipo de protección contra caídas. No conecte el equipo de elevación al conector de anclaje.

**1.2 ESTÁNDARES:** Su conector de anclaje cumple con las normas nacionales o regionales que se identifican en la cubierta frontal de estas instrucciones. Si este producto se revende fuera del país de destino original, el revendedor debe proporcionar estas instrucciones en el idioma del país en el que se usará el producto.

**1.3 SUPERVISIÓN:** Una persona competente debe supervisar el uso de este equipo<sup>1</sup>.

**1.4 CAPACITACIÓN:** La instalación y el uso de este equipo deben estar a cargo de personas capacitadas en su correcta aplicación. Este manual debe usarse como parte de un programa de capacitación de empleados exigido por ANSI y OSHA o las regulaciones regionales. El usuario y quienes instalen este equipo tienen la responsabilidad de familiarizarse con estas instrucciones, capacitarse en su cuidado y uso correctos, además de informarse sobre las características operativas, los límites de aplicación y las consecuencias del uso incorrecto.

**1.5 PLAN DE RESCATE:** Cuando se utiliza este equipo y al conectarse con él o los subsistemas, el empleador debe contar con un plan de rescate y tener a mano los medios para implementar y comunicar dicho plan a los usuarios, las personas autorizadas<sup>2</sup>, y rescatistas<sup>3</sup>. Se recomienda la presencia de un equipo de rescate capacitado en el sitio. Los miembros del equipo deben contar con el equipo y las técnicas para realizar un rescate exitoso. Se debe proporcionar capacitación periódicamente para garantizar la competencia del rescatista.

**1.6 FRECUENCIA DE INSPECCIÓN:** El usuario deberá inspeccionar el conector de anclaje antes de cada uso y, además, una persona competente que no sea el usuario a intervalos de no más de un año<sup>4</sup>. Los procedimientos de inspección se describen en el "Registro de inspección y mantenimiento". Los resultados de cada inspección de la persona competente deben registrarse en copias del "Registro de inspección y mantenimiento".

**1.7 DESPUÉS DE UNA CAÍDA:** Si el conector de anclaje se ha sometido a la fuerza proveniente de la detención de una caída, se debe retirar de servicio de inmediato, identificar claramente con la inscripción "NO USAR", y destruir o enviar a 3M para su reemplazo o reparación.

## 2.0 REQUISITOS DEL SISTEMA

**2.1 ANCLAJE:** Los requisitos de la estructura de anclaje varían según la aplicación del sistema y si es un anclaje certificado<sup>5</sup>, o no certificado<sup>6</sup>. La estructura a la cual está conectado un sistema de detención de caídas, restricción, posicionamiento o rescate debe sostener cargas estáticas aplicadas en las direcciones permitidas según se muestra en la siguiente tabla. Los requisitos de resistencia del anclaje, junto con las aplicaciones del sistema, se especifican a continuación, a menos que se indique o defina lo contrario en la Tabla 1:

Sistema de protección contra caídas	Anclaje certificado <sup>9</sup>	Anclaje no certificado <sup>10</sup>	Definido por
Detención de caídas	2 veces la fuerza de detención máxima	22,2 kN (5000 lb)	OSHA, ANSI
Restricción/restricción del recorrido	Dos veces la fuerza prevista	4,4 kN (1000 lb) según ANSI 22,2 kN (5000 lb) según OSHA	OSHA, ANSI
Posicionamiento para el trabajo	Dos veces la fuerza prevista	13,3 kN (3000 lb)	OSHA, ANSI
Rescate	Cinco veces la carga aplicada	13,3 kN (3000 lb)	ANSI

Cuando se conecta a un anclaje más de un sistema, las resistencias mencionadas arriba deben multiplicarse por la cantidad de sistemas conectados al anclaje. Consulte el estándar ANSI Z359.2 para obtener más información.

**2.2 SISTEMA PERSONAL DE DETENCIÓN DE CAÍDAS:** La Figura 1 ilustra la aplicación de este conector de anclaje. Los sistemas personales de detención de caídas (PFAS) utilizados con el sistema deben cumplir con las normas, los códigos y los requisitos correspondientes para la protección contra caídas. El PFAS debe incorporar un arnés de cuerpo completo y limitar la fuerza de detención a los siguientes valores:

	Fuerza máxima de detención	Caída libre
PFAS con eslingas amortiguadoras de impacto	8 kN (1800 lb)	Consulte las instrucciones incluidas en su eslinga o dispositivo autorretráctil (SRD) para ver las limitaciones de caída libre.
PFAS con dispositivos autorretráctiles (SRD)	8 kN (1800 lb)	

**2.3 TRAYECTORIA DE CAÍDA Y VELOCIDAD DE BLOQUEO DEL DISPOSITIVO AUTORRETRÁCTIL:** Se requiere una trayectoria despejada para asegurar que el SRD se bloquee. Se deben evitar situaciones donde la trayectoria de una posible caída presente obstrucciones. El hecho de trabajar en espacios muy confinados o restringidos podría no permitir que el cuerpo desarrolle una velocidad suficiente para que el SRD se bloquee si se produce una caída. Trabajar sobre materiales que se mueven lentamente, como por ejemplo, arena o granos, podría no permitir que se acumule una velocidad suficiente para que se bloquee el SRD.

**1 Persona competente:** Alguien capaz de identificar peligros existentes y predecibles en los alrededores o condiciones de trabajo que son insalubres o peligrosas para los empleados, y que tiene autorización para tomar medidas correctivas rápidas para eliminarlos.

**2 Persona autorizada:** una persona designada por el empleador para que realice tareas en una ubicación en la que la persona estará expuesta a un riesgo de caída.

**3 Rescatista:** persona o personas que no sean el sujeto a rescatar y que actúan para realizar un rescate asistido mediante la operación de un sistema de rescate.

**4 Frecuencia de inspección:** Las condiciones de trabajo extremas (entornos hostiles, uso prolongado, etc.) pueden requerir una mayor frecuencia en las inspecciones realizadas por una persona competente.

**5 Anclaje certificado:** un anclaje para sistemas de rescate, detención de caídas, posicionamiento o restricción que una persona calificada certifica que cumple con los criterios para un anclaje certificado según la Sección 2.1.

**6 Anclaje no certificado:** anclaje de detención de caídas que una persona competente puede calificar como capaz de soportar las fuerzas de anclaje predeterminadas enumeradas en la Sección 2.1.

- 2.4 PELIGROS:** El uso de este equipo en áreas que presentan peligros ambientales puede precisar la aplicación de precauciones adicionales para evitar lesiones al usuario o daños al equipo. Estos pueden incluir, pero no se limitan a: calor, sustancias químicas, entornos corrosivos, líneas de alta tensión, gases explosivos o tóxicos, maquinaria en movimiento, bordes afilados o materiales ubicados sobre el nivel de la cabeza que podrían caer y entrar en contacto con el usuario o el sistema personal de detención de caídas.
- 2.5 ESPACIO LIBRE DE CAÍDA:** La Figura 3 muestra los componentes de una detención de caídas. Debe haber suficiente espacio libre de caída (FC) para detener una caída antes de que el usuario golpee contra el suelo u otra obstrucción. El espacio libre se ve afectado por una serie de factores que incluyen los siguientes: ubicación del anclaje, (A) longitud de la eslinga, (B) distancia de desaceleración de la eslinga o distancia de detención máxima del SRD, (C) tensión del arnés, y longitud y estabilización del anillo en D/conector. Consulte las instrucciones incluidas en su subsistema de detención de caídas para obtener información específica sobre el cálculo del espacio libre de caída.
- 2.6 CAÍDAS PENDULARES:** Las caídas pendulares tienen lugar cuando el punto de anclaje no está directamente por encima del punto donde ocurre una caída (consulte la Figura 4). La fuerza del golpe contra un objeto en una caída pendular puede causar lesiones graves o la muerte. Minimice las caídas pendulares trabajando lo más directamente posible debajo del punto de anclaje. No permita la caída pendular si se pueden producir lesiones. Las caídas pendulares aumentarán en gran medida el espacio libre necesario cuando se utiliza un dispositivo autorretráctil u otro sistema secundario de conexión de longitud variable.
- 2.7 COMPATIBILIDAD DE LOS COMPONENTES:** El equipo 3M está diseñado para usarse exclusivamente con los componentes y sistemas secundarios 3M aprobados. Las sustituciones o los reemplazos hechos con componentes y sistemas secundarios no aprobados pueden arriesgar la compatibilidad del equipo y pueden afectar la seguridad y confiabilidad de todo el sistema.
- 2.8 COMPATIBILIDAD DE LOS CONECTORES:** Se considera que los conectores son compatibles con los elementos de conexión cuando se han diseñado para trabajar juntos de tal manera que sus tamaños y formas no provoquen que sus mecanismos de hebilla se abran de manera involuntaria, independientemente de cómo estén orientados. Póngase en contacto con 3M si tiene alguna pregunta sobre la compatibilidad.

Los conectores (ganchos, mosquetones y anillos en D) deben tener capacidad para soportar al menos 22,2 kN (5000 lb). Los conectores deben ser compatibles con el anclaje u otros componentes del sistema. No utilice equipos que no sean compatibles. Los conectores que no sean compatibles pueden desacoplarse de manera involuntaria (consulte la Figura 5). Los conectores deben ser compatibles en cuanto a tamaño, forma y resistencia. Si el elemento de conexión al que se fija un gancho de seguridad o un mosquetón es más pequeño que lo debido o tiene una forma irregular, podría surgir una situación en la que el elemento de conexión aplicara una fuerza al cierre del gancho de seguridad o mosquetón (A). Esta fuerza puede hacer que se abra la hebilla (B), lo que permite que el gancho de seguridad o mosquetón se desconecten del punto de conexión (C).

Los ganchos de seguridad y mosquetones con cierre automático son reglamentarios según los estándares ANSI Z359 y las normativas de OSHA.

- 2.9 CÓMO HACER CONEXIONES:** Los mosquetones utilizados con este equipo deben ser de cierre automático. Asegúrese de que todas las conexiones sean compatibles en cuanto a tamaño, forma y resistencia. No utilice equipos que no sean compatibles. Asegúrese de que todos los conectores estén completamente cerrados y trabados.

Los conectores de 3M (ganchos de seguridad y mosquetones) están diseñados para el uso exclusivo que se especifica en las instrucciones de uso de cada producto. Consulte la Figura 6 para ver ejemplos de conexiones inadecuadas. Los ganchos de seguridad y los mosquetones no deben conectarse de la siguiente forma:

- A. A un anillo en D al que esté conectado otro conector.
- B. De manera tal que se produzca una carga sobre la hebilla. Los ganchos de seguridad de gargantas grandes no deben conectarse a anillos en D de tamaño estándar ni a objetos similares que puedan imponer una carga sobre la compuerta en caso de que el gancho o el anillo en D gire o se tuerza, a menos que el mosquetón cumpla con la norma y esté equipado con una compuerta de 3600 lb (16 kN). Examine la marca en el gancho de seguridad para verificar que sea apropiado para su aplicación.
- C. En un enganche falso, donde los elementos que sobresalen del gancho de seguridad o el mosquetón se sujetan del anclaje y, a primera vista, parecería que estuvieran completamente enganchados al punto de anclaje.
- D. Entre sí.
- E. Directamente a una eslinga de cuerda o entretejido de seguridad, o eslinga para autoamarre (a menos que en las instrucciones del fabricante de la eslinga y del conector se permita expresamente esa conexión).
- F. A ningún objeto pueda cuya forma dimensión sea tal que el gancho de seguridad o carabinero quede sin cerrar o trabar o que o deslizarse izarse.
- G. De modo que impidan que el conector se alinee correctamente en condiciones de carga.

### 3.0 INSTALACIÓN

La instalación del anclaje con contrapeso para techo DBI-SALA debe ser supervisada por una persona calificada<sup>1</sup>. La instalación debe ser certificada por una persona competente<sup>2</sup> en cumplimiento de los criterios de los anclajes certificados o con capacidad para sostener las fuerzas potenciales que podrían producirse durante las caídas.

**3.1 PLANIFICACIÓN:** Planifique su sistema de protección contra caídas antes de la instalación del anclaje con contrapeso para techo. Tenga en cuenta todos los factores que pueden afectar su seguridad antes, durante y después de una caída. Considere todos los requisitos, las limitaciones y las especificaciones que se definen en la Sección 2 y en la Tabla 1. Determine la ubicación adecuada del sistema de anclaje con contrapeso para techo. Debe colocarse de forma plana (pendiente de 5° o menos) y estar por lo menos a 8 ft (2,5 m) de distancia del borde de la estructura o de cualquier abertura como tragaluz o puerta de entrada y lo más cerca posible del área de trabajo (Figura 7).

**Espacio libre de caída:** Los usuarios deben sumar 5 ft (1,5 m) a los cálculos del espacio libre de caída para tener en cuenta cualquier movimiento en la base del de anclaje de contrapeso para detener una caída.

**3.2 INSTALACIÓN DEL ANCLAJE CON CONTRAPESO PARA TECHO:** El anclaje con contrapeso para techo puede instalarse en cualquier techo que cumpla con los requisitos de anclaje especificados en la Tabla 1. Barra la ubicación de la instalación para eliminar materiales sueltos. Para instalar el anclaje con contrapeso para techo (Figura 9):

1. Coloque las placas de contrapeso recubiertas de caucho sobre la superficie plana como contrapesos de base para el sistema. Los pernos en L se insertarán a través de uno de los dos orificios en cada una de las placas de contrapeso recubiertas de caucho.
2. Instale el perno en L levantando la placa de contrapeso recubierta de caucho e insértelo a través de uno de los dos orificios en cada contrapeso de base desde la parte inferior, hacia arriba a través del orificio y volviendo a colocar la placa de contrapeso recubierta de caucho sobre la superficie plana. Alterne la dirección de cada perno en L.
3. Coloque en forma provisoria el anclaje para techo sobre los contrapesos de base y los pernos en L para confirmar que dichos pernos estén correctamente orientados en los contrapesos.
4. Después de confirmar la orientación del perno en L, retire el anclaje para techo de los contrapesos de base. Apile dos contrapesos adicionales en cada contrapeso de base con los pernos en L que sobresalgan a través de los orificios correspondientes.
5. Coloque el anclaje para techo sobre los pernos en L y las pilas de contrapesos. Asegúrese de que cada perno en L atraviese uno de los orificios de montaje del anclaje para techo.
6. Agregue la capa final de contrapesos para superponer el anclaje para techo y asegúrese de que los pernos en L sobresalgan a través de los mismos orificios que los contrapesos agregados anteriormente. Se usa un total de 16 contrapesos en este sistema de anclaje con contrapeso para techo.
7. Instale una arandela y una tuerca en cada uno de los pernos en L. Apriete manualmente las cuatro tuercas de manera firme. El uso de herramientas puede resultar en un apriete excesivo, lo que podría dañar el sistema.

### 4.0 USO

**4.1 ANTES DE CADA USO:** Verifique que su área de trabajo y el sistema personal de detención de caídas (PFAS, por sus siglas en inglés) cumplan con todos los criterios definidos en la Sección 2 y que exista un plan de rescate formal implementado. Inspeccione el anclaje con contrapeso para techo según los puntos de inspección para el "Usuario" definidos en el "Registro de inspección y mantenimiento" (Tabla 2).

Si el anclaje con contrapeso para techo se somete a las fuerzas de una detención de caída, debe retirarse de servicio inmediatamente y reemplazarse, o bien debe inspeccionarlo una persona competente.

El sistema está clasificado para detención de caídas y restricción de caídas, y se recomienda que se configure en restricción de caídas siempre que sea posible. No se recomienda el posicionamiento para el trabajo con este sistema, ya que puede causar un despliegue prematuro del módulo de anclaje, lo que obligará a retirarlo de servicio hasta su reparación o reemplazo.

**4.2 CONEXIONES DEL SISTEMA DE DETENCIÓN DE CAÍDAS:** El anclaje con contrapeso para techo se usa con un arnés de cuerpo completo y una eslinga absorbedora de energía o dispositivo autorretráctil (SRD). Conecte la eslinga o el SRD entre el anillo en D del anclaje con contrapeso para techo y el anillo en D dorsal trasero del arnés según las instrucciones incluidas con la eslinga o el SRD.

### 5.0 INSPECCIÓN

**5.1 FRECUENCIA DE INSPECCIÓN:** El anclaje con contrapeso para techo debe inspeccionarse en los intervalos establecidos en la Sección 1. Los procedimientos de inspección se describen en el "Registro de inspección y mantenimiento" (Tabla 2). Inspeccione el resto de los componentes del sistema de protección contra caídas según las frecuencias y procedimientos que se definen en las instrucciones del fabricante.

**5.2 DEFECTOS:** Si la inspección revela una condición no segura o defectuosa, retire inmediatamente de servicio el anclaje con contrapeso para techo. No intente reparar el sistema de detención de caídas más allá del reemplazo de los herrajes permitido en la Tabla 2. Retire el sistema de servicio de inmediato e identifíquelo con la leyenda "NO USAR". Comuníquese con 3M para obtener información sobre el reemplazo o la reparación.

Solo 3M o las partes autorizadas por escrito pueden reparar este equipo.

Una vez que el equipo se haya retirado del servicio, no se lo podrá devolver al servicio hasta que una persona competente confirme por escrito que es aceptable hacerlo.

**1 Persona calificada:** Una persona con un título o certificado profesional reconocido y una amplia experiencia en la protección contra caídas. Esta persona debe ser capaz de realizar el diseño, el análisis, la evaluación y la especificación en protección contra caídas.

**2 Persona competente:** Alguien capaz de identificar peligros existentes y predecibles en los alrededores o condiciones de trabajo que son insalubres o peligrosas para los empleados, y que tiene autorización para tomar medidas correctivas rápidas para eliminarlos.



**5.3 VIDA ÚTIL DEL PRODUCTO:** La vida útil del sistema de detención de caídas está determinada por las condiciones de trabajo y el mantenimiento. Siempre y cuando el producto supere los criterios de inspección, podrá permanecer en servicio.

**5.3 REPARACIONES O MANTENIMIENTO:** Solo 3M o las entidades autorizadas por escrito por 3M pueden hacer reparaciones a este equipo.

Si el anclaje con contrapeso para techo se somete a las fuerzas de una detención de caída, debe retirarse de servicio inmediatamente y reemplazarse, o bien debe inspeccionarlo una persona competente.

**Reparaciones autorizadas:** Solo 3M o las entidades autorizadas por escrito pueden reparar este equipo o devolverlo al servicio después de una inspección fallida.

**5.4 VIDA ÚTIL DEL PRODUCTO:** La vida útil del sistema de detención de caídas está determinada por las condiciones de trabajo y el mantenimiento. Siempre y cuando el producto supere los criterios de inspección, podrá permanecer en servicio.

## **6.0 MANTENIMIENTO, REPARACIÓN, ALMACENAMIENTO**

**6.1 LIMPIEZA:** Limpie los componentes metálicos del anclaje con contrapeso para techo en forma periódica con un cepillo blando, agua tibia y una solución jabonosa suave. Asegúrese de enjuagar bien las piezas con agua limpia.

**6.3 ALMACENAMIENTO Y TRANSPORTE:** Cuando no esté en uso, almacene y transporte el anclaje con contrapeso para techo y el equipo de protección contra caídas asociado dentro de un entorno fresco, seco y limpio, alejado de la luz solar directa. Evite los lugares donde pueda haber vapores de sustancias químicas. Inspeccione minuciosamente los componentes después de un almacenamiento prolongado.

## **7.0 ETIQUETAS**

La Figura 9 ilustra las etiquetas del anclaje con contrapeso para techo. Las etiquetas deben reemplazarse si no son completamente legibles. La información proporcionada en cada etiqueta es la siguiente:

(A)	<p>Lea todas las instrucciones.</p> <ol style="list-style-type: none"><li>1) Año y mes de fabricación/número de lote</li><li>2) Identificación del organismo notificado</li><li>3) Norma de seguridad</li><li>4) Número de modelo del producto</li></ol>
-----	--



**GARANTIE INTERNATIONALE DU PRODUIT, RECOURS LIMITÉ  
ET LIMITATION DE RESPONSABILITÉ**

**GARANTIE :** CE QUI SUIT REMPLACE TOUTES LES GARANTIES OU CONDITIONS, EXPRESSES OU IMPLICITES, Y COMPRIS LES GARANTIES OU LES CONDITIONS IMPLICITES RELATIVES À LA QUALITÉ MARCHANDE ET À L'ADAPTATION À UN USAGE PARTICULIER.

Sauf disposition contraire de la loi, les produits de protection antichute 3M sont garantis contre tout défaut de fabrication en usine et de matériaux pour une période d'un (1) an à compter de la date d'installation ou de la première utilisation par le propriétaire initial.

**RECOURS LIMITÉ :** Moyennant un avis écrit à 3M, 3M réparera ou remplacera tout produit présentant un défaut de fabrication en usine ou de matériaux, tel que déterminé par 3M. 3M se réserve le droit d'exiger le retour du produit dans ses installations afin d'évaluer la réclamation de garantie. Cette garantie ne couvre pas les dommages au produit résultant de l'usure, d'un abus ou d'une mauvaise utilisation, les dommages subis pendant l'expédition, le manque d'entretien du produit ou d'autres dommages en dehors du contrôle de 3M. 3M jugera seul de l'état du produit et des options de garantie.

Cette garantie s'applique uniquement à l'acheteur initial et est la seule garantie applicable aux produits de protection antichute de 3M. Veuillez communiquer avec le service à la clientèle de 3M de votre région pour obtenir de l'aide.

**LIMITATION DE RESPONSABILITÉ :** DANS LES LIMITES PRÉVUES PAR LES LOIS LOCALES, 3M NE SERA TENU POUR RESPONSABLE DE TOUT DOMMAGE INDIRECT, ACCESSOIRE, SPÉCIFIQUE OU CONSÉCUTIF INCLUANT, SANS S'Y LIMITER, LA PERTE DE PROFIT, LIÉS DE QUELQUE MANIÈRE AUX PRODUITS, QUELLE QUE SOIT LA THÉORIE LÉGALE INVOQUÉE.

**GARANTÍA GLOBAL DEL PRODUCTO, REPARACIONES LIMITADAS  
Y LIMITACIÓN DE RESPONSABILIDAD**

**GARANTÍA:** EL SIGUIENTE TEXTO SIRVE A MODO DE GARANTÍA O CONDICIÓN, EXPLÍCITA O IMPLÍCITA, E INCLUYE LAS GARANTÍAS O CONDICIONES IMPLÍCITAS DE COMERCIABILIDAD O APTITUD PARA UN PROPÓSITO ESPECÍFICO.

A menos que las leyes locales indiquen lo contrario, los productos de protección contra caídas 3M tienen garantía por defectos de fábrica en la mano de obra y en los materiales durante un período de un año desde la fecha de instalación o desde el primer uso del propietario original.

**REPARACIONES LIMITADAS:** 3M reparará o reemplazará un producto si determina que tiene un defecto de fábrica en la mano de obra o en los materiales y tras haber recibido una notificación por escrito sobre el presunto defecto. 3M se reserva el derecho de exigir la devolución del producto a sus instalaciones para evaluar los reclamos sobre la calidad. Esta garantía no cubre los daños ocasionados por el desgaste, el abuso, el mal mantenimiento, o como consecuencia del traslado del producto, u otros daños ajenos al control de 3M. 3M será el único capaz de determinar la condición del producto y las opciones de la garantía.

Esta garantía solo se aplica al comprador original y es la única garantía válida para los productos de protección contra caídas 3M. Comuníquese con el departamento de servicio al cliente de 3M de su región para obtener ayuda.

**LIMITACIÓN DE RESPONSABILIDAD:** EN LA MEDIDA PERMITIDA POR LAS LEYES LOCALES, 3M NO SERÁ RESPONSABLE DE LOS DAÑOS INDIRECTOS, IMPREVISTOS, ESPECIALES O CONSECUENTES; ENTRE ELLOS, LA PÉRDIDA DE INGRESOS RELACIONADOS DE CUALQUIER MANERA CON LOS PRODUCTOS, INDEPENDIENTEMENTE DE LA TEORÍA JURÍDICA QUE SE PUDIERA INVOCAR.

## GLOBAL PRODUCT WARRANTY, LIMITED REMEDY AND LIMITATION OF LIABILITY

**WARRANTY:** THE FOLLOWING IS MADE IN LIEU OF ALL WARRANTIES OR CONDITIONS, EXPRESS OR IMPLIED, INCLUDING THE IMPLIED WARRANTIES OR CONDITIONS OF MERCHANTABILITY OR FITNESS FOR A PARTICULAR PURPOSE.

Unless otherwise provided by local laws, 3M fall protection products are warranted against factory defects in workmanship and materials for a period of one year from the date of installation or first use by the original owner.

**LIMITED REMEDY:** Upon written notice to 3M, 3M will repair or replace any product determined by 3M to have a factory defect in workmanship or materials. 3M reserves the right to require product be returned to its facility for evaluation of warranty claims. This warranty does not cover product damage due to wear, abuse, misuse, damage in transit, failure to maintain the product or other damage beyond 3M's control. 3M will be the sole judge of product condition and warranty options.

This warranty applies only to the original purchaser and is the only warranty applicable to 3M's fall protection products. Please contact 3M's customer service department in your region for assistance.

**LIMITATION OF LIABILITY:** TO THE EXTENT PERMITTED BY LOCAL LAWS, 3M IS NOT LIABLE FOR ANY INDIRECT, INCIDENTAL, SPECIAL OR CONSEQUENTIAL DAMAGES INCLUDING, BUT NOT LIMITED TO LOSS OF PROFITS, IN ANY WAY RELATED TO THE PRODUCTS REGARDLESS OF THE LEGAL THEORY ASSERTED.



Fall Protection

### USA

3833 SALA Way  
Red Wing, MN 55066-5005  
Toll Free: 800.328.6146  
Phone: 651.388.8282  
Fax: 651.388.5065  
3Mfallprotection@mmm.com

### Brazil

Rua Anne Frank, 2621  
Boqueirão Curitiba PR  
81650-020  
Brazil  
Phone: 0800-942-2300  
falecoma3m@mmm.com

### Mexico

Calle Norte 35, 895-E  
Col. Industrial Vallejo  
C.P. 02300 Azcapotzalco  
Mexico D.F.  
Phone: (55) 57194820  
mexico@capitalsafety.com

### Colombia

Compañía Latinoamericana de Seguridad S.A.S.  
Carrera 106 #15-25 Interior 105 Manzana 15  
Zona Franca - Bogotá, Colombia  
Phone: 57 1 6014777  
fallprotection-co@mmm.com

### Canada

260 Export Boulevard  
Mississauga, ON L5S 1Y9  
Phone: 905.795.9333  
Toll-Free: 800.387.7484  
Fax: 888.387.7484  
3Mfallprotection-ca@mmm.com

### EMEA (Europe, Middle East, Africa)

*EMEA Headquarters:*  
5a Merse Road  
North Moons Moat  
Redditch, Worcestershire  
B98 9HL UK  
Phone: + 44 (0)1527 548 000  
Fax: + 44 (0)1527 591 000  
informationfallprotection@mmm.com

### France:

Le Broc Center  
Z.I. 1re Avenue - BP15  
06511 Carros Le Broc Cedex  
France  
Phone: + 33 04 97 10 00 10  
Fax: + 33 04 93 08 79 70  
informationfallprotection@mmm.com

### Australia & New Zealand

95 Derby Street  
Silverwater  
Sydney NSW 2128  
Australia  
Phone: +(61) 2 8753 7600  
Toll-Free : 1800 245 002 (AUS)  
Toll-Free : 0800 212 505 (NZ)  
Fax: +(61) 2 8753 7603  
anzfallprotectionsales@mmm.com

### Asia

*Singapore:*  
69, Ubi Road 1, #05-20  
Oxley Bizhub  
Singapore 408731  
Phone: +65 - 65587758  
Fax: +65 - 65587058  
totalfallprotection@mmm.com

### Shanghai:

Rm 1406, China Venturetech Plaza  
819 Nan Jing Xi Rd,  
Shanghai 200041, P R China  
Phone: +86 21 62539050  
Fax: +86 21 62539060  
totalfallprotection@mmm.com

**3M.com/FallProtection**