



The Ultimate in Fall Protection

Rollgliss®
R550 Rescue & Escape Device
Model Numbers: (See back pages.)

USER INSTRUCTION MANUAL **ROLLGLISS® R550 RESCUE & ESCAPE DEVICE**

This manual is intended to meet the Manufacturer's Instructions as required by ANSI/ASSE Z359.4 and CSA Z259.2.3. It should be used as part of an employee training program as required by OSHA.

WARNING: This product is part of an emergency rescue system. The user must follow manufacturer's instructions for each part of the system. These instructions must be provided to the user of this equipment. The user must read and understand these instructions before using this equipment. Manufacturer's instructions must be followed for proper use and maintenance of this equipment. Alterations or misuse of this equipment, or failure to follow instructions, may result in serious injury or death.

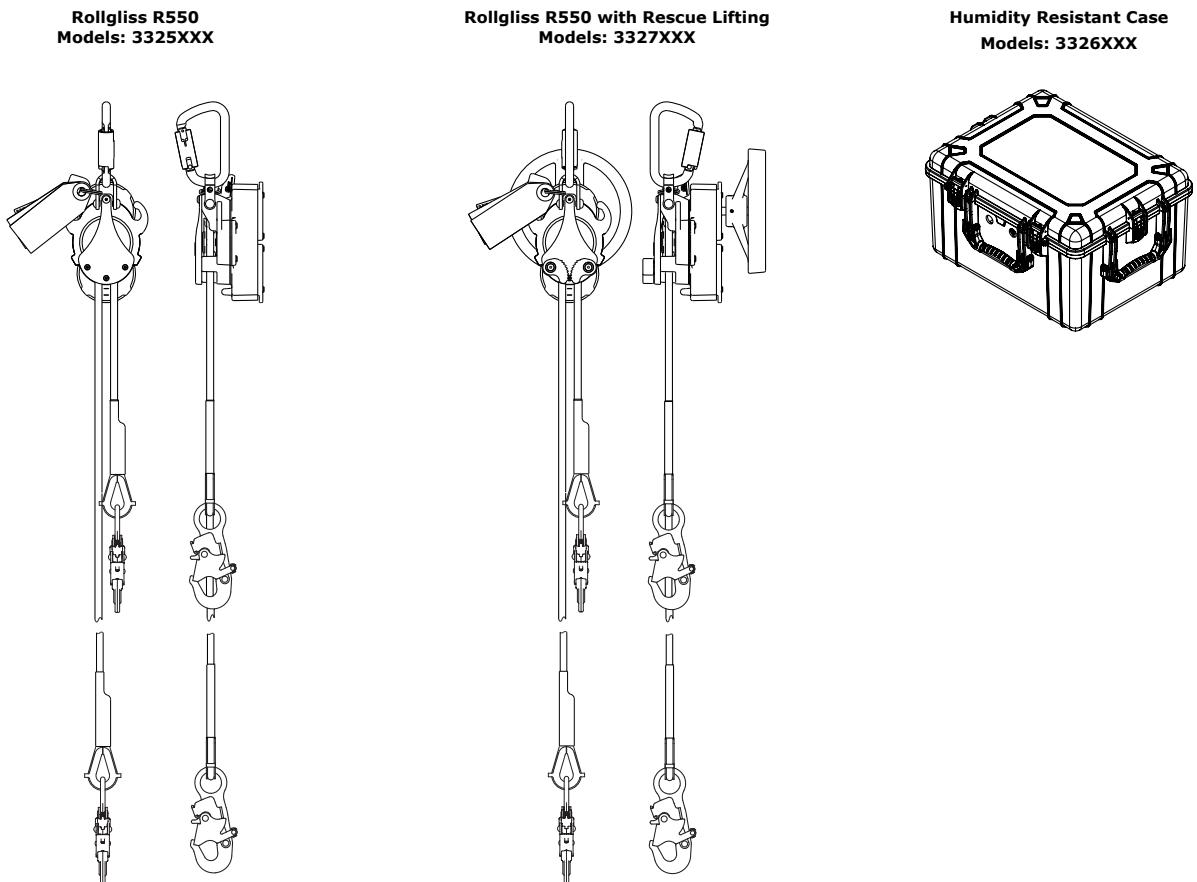
IMPORTANT: If you have questions on the use, care, or suitability of this equipment for your application, contact Capital Safety.

IMPORTANT: Record the product identification information from the ID label in the inspection and maintenance log in Section 9 of this manual.

DESCRIPTION:

The R550 Rescue & Escape Device (Figure 1) is available in *Descent with Rescue Lifting* or *Descent Only* models. A Humidity Resistant Case combination to protect the R550 Descender against environmental conditions is available on some models. An integral bracket is available as an accessory that will attach the R550 to a ladder.

Figure 1 - R550 Rescue & Escape Devices



Available descent lengths range from 50 ft. (15 m) to 1,640 ft. (500 m) in 25 ft. (8 m) increments. The last three digits of the Model Number (signified by 'XXX') indicate the maximum descent length in feet.

1.0 APPLICATION

- 1.1 PURPOSE:** The R550 Rescue & Escape Device is intended to lower one or two people simultaneously from an elevated height to a lower level in a rescue situation. Multiple people may descend one after another using the device. The descent speed is automatically limited during descent. Models incorporating a hand wheel allow for raising persons a short distance to facilitate rescue.

WARNING: The R550 Rescue & Escape Device is for Rescue purposes only. It must not be used as a fall arrest device.

- 1.2 LIMITATIONS:** The following application limitations must be recognized and considered before using this product:

- A. CAPACITY:** Required capacities and descent distances for the Rollgliss R550 are as follows:

Users	Total Weight (including tools, clothing, etc.)	Max. Descent Distance	Number of Descents of Max. Descent Distance
2 Persons	130 lbs (59 kg) - 620 lbs (282 kg)	574 ft. (175 m)	2
1 Person	130 lbs (59 kg) - 310 lbs (141 kg)	1,640 ft. (500 m)	11
1 Person	130 lbs (59 kg) - 220 lbs (100 kg)	1,640 ft. (500 m)	16
1 Person	130 lbs (59 kg) - 165 lbs (75 kg)	1,640 ft. (500 m)	22

- B. MAXIMUM DESCENT DISTANCE AND MAXIMUM NUMBER OF DESCENTS:** See Section 10.0 Descent Log for instructions to calculate the allowed Maximum Cumulative Descent Distance.

- C. DESCENT SPEED:** The speed at which the user(s) will be lowered when using the Rollgliss R550 Rescue & Escape Device increases with the combined weight of the user(s). The approximate descent speed for one person is 2-3 ft/s (0.6 - 0.9 m/s). The approximate descent speed for two persons is 2 ft/s - 4 ft/s (0.6 m/s - 1.2 m/s).

- D. HAZARDOUS AREAS:** Use of this equipment in hazardous areas may require additional precautions to reduce the possibility of injury to the user or damage to the equipment. Hazards may include, but are not limited to: high heat, caustic chemicals, corrosive environments, high voltage power lines, explosive or toxic gases, moving machinery, and sharp edges.

- E. TRAINING:** This equipment is intended to be installed and used by persons trained in its correct application and use.

- 1.3 APPLICABLE STANDARDS:** Refer to ANSI/ASSE Z359.1, Z359.4, CSA Z259.2.3 and other applicable local, state, and federal (OSHA) standards for requirements governing the use of this equipment.

2.0 SYSTEM REQUIREMENTS

- 2.1 COMPATIBILITY OF COMPONENTS:** DBI-SALA equipment is designed for use with DBI-SALA approved components and subsystems only. Substitutions or replacements made with non-approved components or subsystems may jeopardize compatibility of equipment and may effect the safety and reliability of the complete system.

- 2.2 COMPATIBILITY OF CONNECTORS:** Connectors (hooks, carabiners, D-rings) used to suspend the R550 Rescue & Escape Devices must be capable of supporting at least 3,000 lbs (1,361 kg). Connectors must be compatible in size, shape, and strength. Non compatible connectors may unintentionally disengage (roll-out). Roll-out occurs when interference between the connector and anchorage connector causes the hook or carabiner gate to unintentionally open and release. Self locking snap hooks and carabiners must be used with this system to reduce the possibility of roll-out. Do not use connectors that will not completely close over the attachment element.

- 2.3 ANCHORAGE STRENGTH - R550 RESCUE & ESCAPE DEVICE:** Anchorages used to suspend the R550 Rescue & Escape Device must sustain static loads, applied along the axis of the device, of at least 3,000 lbs (1,361 kg). When more than one R550 Descender is attached to an anchorage the strengths stated above must be multiplied by the number of descent devices attached to the anchorage.

3.0 INSTALLATION AND USE

- 3.1 BEFORE EACH USE:** Carefully inspect the R550 Rescue & Escape Device in accordance with Section 5 of this instruction.

- 3.2 PLANNING:** Plan your emergency escape system and how it will be used before starting your work. Consider all factors that will affect your safety before, during, and after an escape. Consider the following when planning your system:

- A. ANCHORAGE:** Select a rigid anchorage point that is capable of supporting the load as specified by Section 2.3 in this instruction.

- B. DESCENT PATH AND LANDING AREA CLEARANCE:** The planned descent path must be unobstructed. The landing area must be clear of obstructions to permit safe landing of the user. Failure to provide an unobstructed descent path and landing area may result in serious injury. Maintain a minimum distance of 1 foot (31 cm) from any vertical surface to ensure safe descent. A separate pulley is available for use with the R550 Rescue & Escape Device that can be used to re-direct the lifeline away from obstructions.
- C. TESTING THE SYSTEM:** DBI-SALA recommends performing a test descent using a 120 lb (55 kg) test weight. The descent speed should be uniform, and allow the user to reach the landing area safely. Record all descents in the Descent Log (Section 10).
- D. SHARP EDGES:** Avoid using this equipment where system components will be in contact with, or abrade against, unprotected sharp edges. An Edge Protector (Figure 2) or protective padding must be used when descending over sharp edges.

3.3 INSTALLATION: The R550 Rescue & Escape Device is available in several configurations and therefore its installation will vary.

WARNING: When connecting the R550 Descender to an Anchorage, confirm that the connection arrangement will not block or restrict a descent.

CONNECTING THE R550 DESCENDER TO ANCHORAGE: Figure 3 illustrates attachment of the Emergency Descent Device to an anchorage. See Section 2 for compatibility and anchorage strength requirements.

- **Connecting the R550 Descender to a Fixed Ladder:** The R550 can be attached to the rungs of a fixed ladder with a DBI-SALA ladder bracket accessory (see Figure 4). The R550 Descender mounts on the Ladder Bracket by fitting the lower eye of the R550 over the pin on the ladder bracket and inserting the Ball Lock Pin through mounting holes in the R550 anchor loop and ladder bracket. R550 Descenders mounted with the ladder bracket still require that the unit be secured by the anchorage handle to an anchorage of sufficient strength (see Section 2.3).
- **Preparing the Lifeline:** Lower one end of the lifeline to the ground or landing below. Ensure the lifeline is free of knots or kinks.

3.4 USE - SINGLE PERSON UNASSISTED ESCAPE: Procedures for performing and unassisted descent with the R550 Rescue & Escape Device are as follows:

WARNING: The users of this equipment must be in good physical condition. The user must have the ability to absorb the landing.

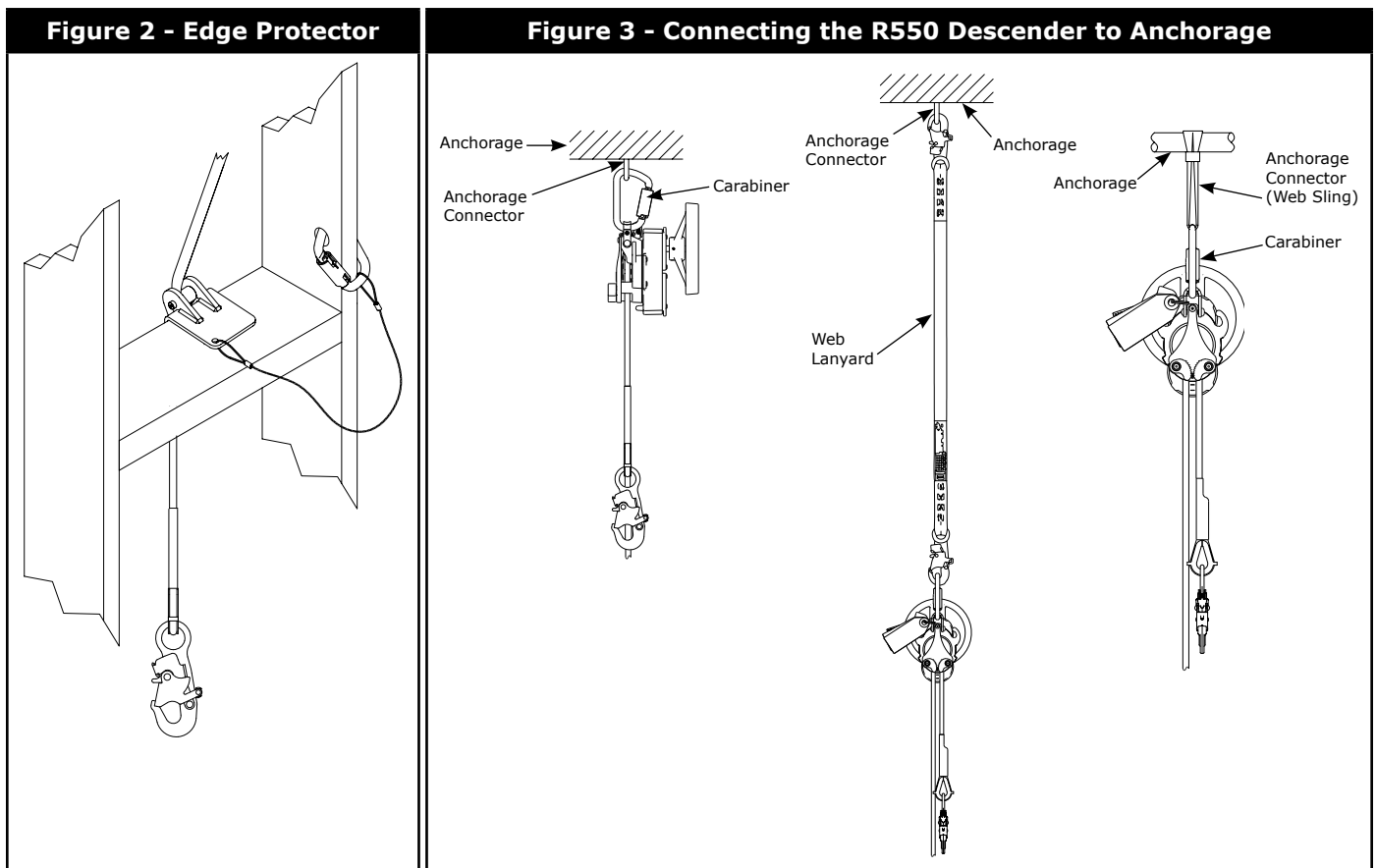


Figure 4 - Connecting the R550 Descender to a Ladder

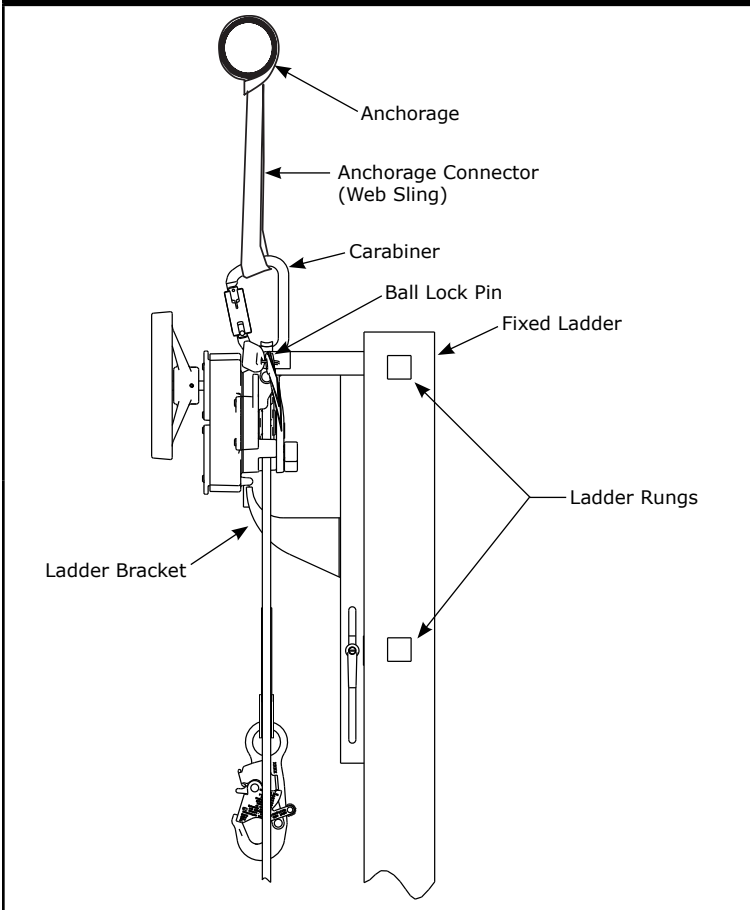
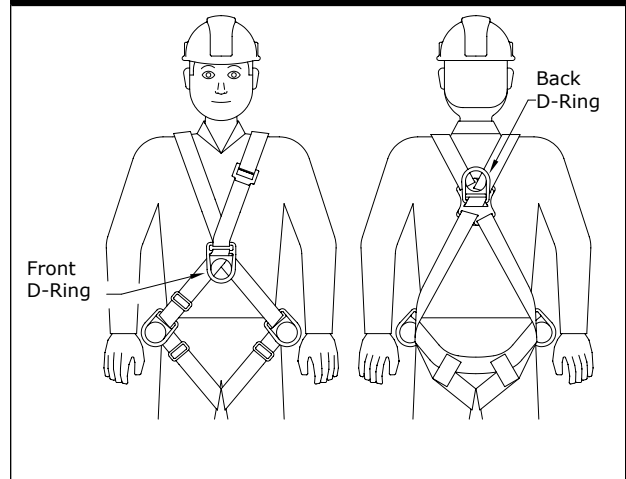


Figure 5 - Connecting to a Full Body Harness



Step 1. Connect to a Full Body Harness or other Body Support: A full body harness or other means of supporting the user must be used with the R550 Descender. Do not use a body belt with this device. When using a full body harness, connect the Snap Hook on the lifeline to the front or back D-ring (Figure 5). Ensure the D-ring is positioned to hold the user upright. See the full body harness manufacturer's instructions for more information.

WARNING: Do not use a body belt with this equipment. Body belts do not support your entire body, which may result in serious injury.

Step 2. Prepare the Lifeline for Descent: Prior to descent, the section of lifeline between the user and the R550 Descender must be tightened to remove any slack. Tighten the lifeline by pulling on the free end of the rope until slack between the user and R550 Descender is removed. Once the lifeline is taut, hold the free end of the lifeline tightly until descent is initiated.

Step 3. Descend to Safety: Release the free end of the lifeline to initiate descent. Descent speed will be automatically controlled to a rate described in Section 1.2 C by the R550 Descender's centrifugal brake. Descent may be interrupted by firmly grasping the free end of the lifeline (see Figure 6). Bend your knees to prepare for landing. After landing, disconnect the lifeline from the body support.

NOTE: Always wear gloves when handling the lifeline to control descent speed.

CAUTION: The R550 Rescue & Escape Device may become hot during use which could injure the user if parts other than those used to control the descent are touched. Use beyond the specified load and descent length limits may generate excessive heat which could damage the descent line.

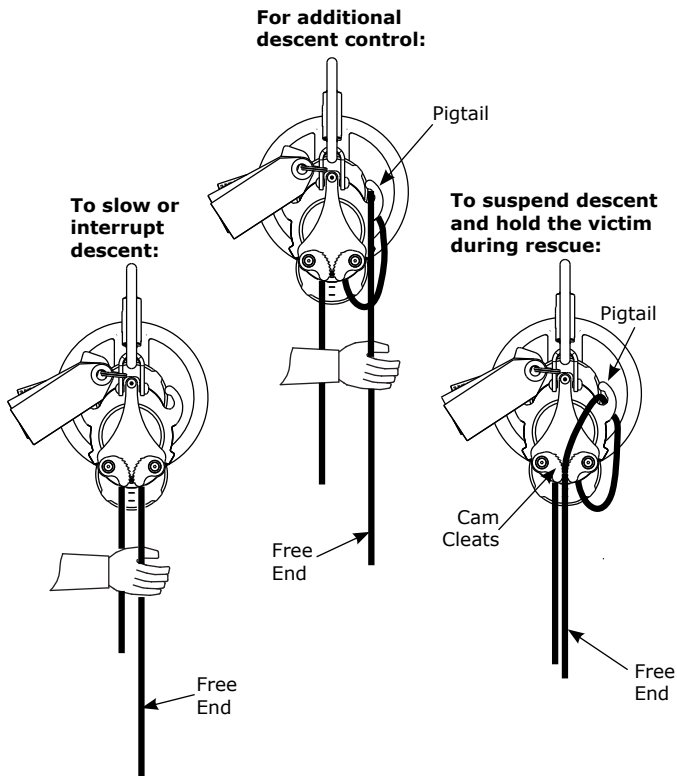
Step 4. Prepare for the Next Descent: After use of the R550 Rescue & Escape Device, the lifeline must be pulled through the device as needed to position a lifeline end and Snap Hook adjacent to the next person to descend.

3.5 USE - ASSISTED RESCUE: The R550 Rescue & Escape Device is equipped with a Rescue Hub which can be used in remote assisted rescues to raise the fall victim to permit removal of their fall arrest subsystem (lanyard, etc.) prior to descent to safety (see Figure 7). Procedures are as follows:

Step 1. Lower or Raise One End of the Lifeline to the Victim: Pull the lifeline through the R550 Descender as needed until the Snap Hook on one end of the rope is adjacent to the desired connection point on the victim's body support.

NOTE: In the event the connection point on the victim's body support is not within reach, the Rope Grab accessory can be attached upside down (⇩) on the victim's lanyard and locked in place (see Figure 7). The Snap Hook on the R550 lifeline can be attached to the Eye on the Rope Grab and the Rescue Hub used to raise the victim to safety, or a point where their initial fall protection system can be released to allow lowering the victim to safety.

Figure 6 - Descent Control

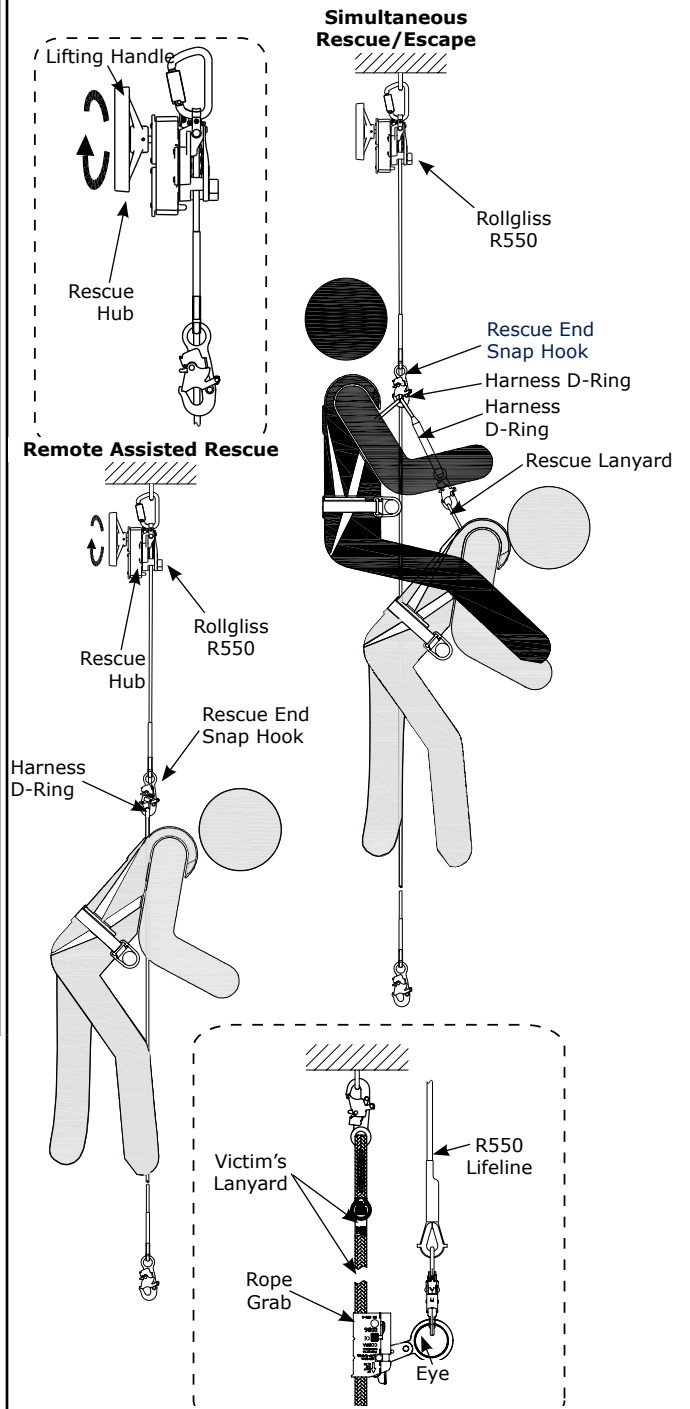


NOTE: Descent may be interrupted by firmly grasping the free end of the rope. For additional leverage, the free end of the rope can be passed through the Pigtail and then grasped. To suspend descent for longer durations and free both hands for rescue, the free end of the rope should be passed through the Pigtail and then secured in the Cam Cleats.

Step 2. Connect to the Victim's Full Body Harness or other Body Support: Connect the Snap Hook on the Rescue End of the lifeline to the front or back D-ring (Figure 5). Ensure the D-ring is positioned to hold the user upright.

WARNING: Do not use a body belt with this equipment. Body belts do not support the entire body, which may result in serious injury.

Figure 7 - Rescue Applications



Step 3. Raise the Victim to Disconnect the Fall Arrest Subsystem: Rotate the Rescue Hub to raise the victim's weight from the fall arrest subsystem and onto the R550 Rescue & Escape Device. Secure the Free End of the lifeline with the R550 Descender's Pigtail and Cam Cleats to prevent unintentional descent (see Figure 6). Disconnect the Victim's fall arrest subsystem (Lanyard, etc.).

Alternate Option: The R550 Rescue & Escape Device is also configured to allow a Power Drill (minimum 1/2" chuck and 400 lbf-in torque) to be attached to the center of the Rescue Hub which can be used in remote assisted rescues to raise the fall victim. (See Table 1 on this page for an example of lifting distances.) Attach the Power Drill directly to the shaft at the center of the Rescue Hub (see Figure 8). Use the attached Power Drill to rotate the Rescue Hub to raise the victim's weight from the fall arrest subsystem and onto the R550 Rescue & Escape Device. Secure the Free End of the lifeline with the R550 Rescue and Escape Device's Pigtail and Cam Cleats to prevent unintentional descent (see Figure 6). Detach the Power Drill by lowering the victim's weight onto the unit's Pigtail and Cam Cleats and then releasing the Power Drill from the center of the Rescue Hub. Once the Powered Drill is removed, disconnect the Victim's fall arrest subsystem (Lanyard, etc.)

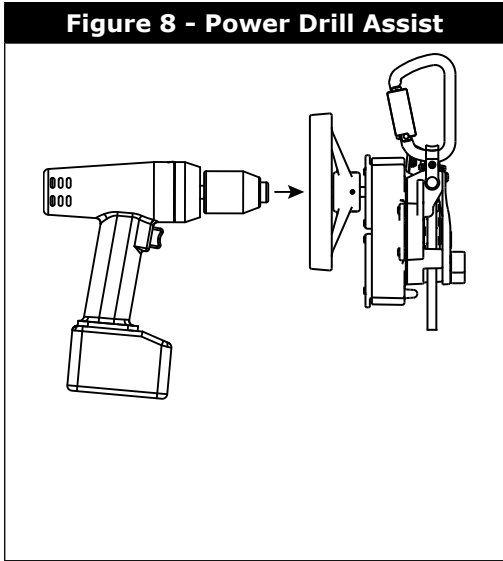


Table 1: Single Battery Lifting Distances in either direction for DeWalt 20V Drill (Model DCD990M2)

	Low Speed	Medium Speed	High Speed
220 lb (100 kg) Load	250 ft (76 m)*	250 ft (76 m)*	175 ft (53 m)*
310 lb (141 kg) Load	200 ft (61 m)*	150 ft (46 m)*	NA**

* Lifting distance based on full battery charge, ambient temperature of 72° F (22° C).
 ** High speeds with high loads not recommended.

NOTE: Power Drill lifting capabilities will vary with victim load, battery charge, drill model, and environmental conditions. The lowest drill speed setting is recommended to maximize battery life and to reduce the risk of damaging the drill or the R550 Descender. Loads greater than 310 lbs (141 kg) should not be lifted with the Power Drill option. Lifting in reverse direction will typically decrease the lifting distance capacity of a single battery charge.

- Step 4. Prepare the Lifeline for Descent:** Prior to descent, the section of lifeline between the user and the R550 Descender must be tightened to remove any slack. Tighten the lifeline by pulling on the free end of the lifeline until slack between the user and R550 Descender is removed. Once the lifeline is taut, hold the free end of the lifeline tightly until descent is initiated.
- Step 5. Descend to Safety:** Release the free end of the lifeline to initiate descent. Descent speed will be automatically controlled to a rate described in Section 1.2 C by the R550 Descender's centrifugal brake. Descent may be interrupted by firmly grasping the free end of the lifeline (see Figure 6). Bend your knees to prepare for landing. After landing, disconnect the lifeline from the body support. Record all descents in the Descent Log (Section 10).

CAUTION: The R550 Rescue & Escape Device may become hot during use which could injure the user if parts other than those used to control the descent are touched. Use beyond the specified load and descent length limits may generate excessive heat which could damage the descent line.

3.6 USE - SIMULTANEOUS RESCUE/ESCAPE: In situations where the fall victim requires assistance, simultaneous rescue/escape allows a rescuer¹ to accompany the victim during descent (see Figure 7):

WARNING: Two person descents with the R550 Rescue & Escape Device should not exceed a total combined weight (including tools, clothing, body support, etc.) of 620 lbs (282 kg) and a descent distance of 574 ft. (175 m).

- Step 1. Descend to the Victim:** In situations where the fall victim is suspended by their existing Fall Arrest subsystem, it will be necessary for the rescuer to descend to the victim's location to provide assistance. Descend to the victim per the steps in Section 3.4.

IMPORTANT: When the victims position is reached, descent can be interrupted by firmly grasping and holding the free end of the rope (See Figure 6). If a secondary rescuer is available at the R550 Descender, the free end of the rope can be passed through the Pigtail and then secured in the Cam Cleats to prevent unintentional descent while the primary rescuer is securing the victim.

- Step 2. Connect the Victim to the R550 Rescue & Escape Device:** Connect a Rescue Lanyard (or similar equipment) between the Lifeline Snap Hook connected to the Rescuer's Full Body Harness Front D-Ring or the Back D-Ring on the Victim's Full Body Harness (Figure 7).

WARNING: Do not use a body belt with this equipment. Body belts do not support your entire body, which may result in serious injury.

¹ **Rescuer:** Person or persons other than the rescue subject acting to perform an assisted rescue by operation of a rescue system.

Step 3. Disconnect the Victim's Fall Arrest Subsystem: Ensure that the victim is securely attached to the R550 Rescue & Escape Device and then detach the victim's fall arrest subsystem (lanyard, etc.) to free the victim for descent.

NOTE: *If a secondary rescuer is available at the R550 Descender, the Rescue Hub and Lifting Wheel can be used to raise the victim slightly for detachment of their fall arrest subsystem.*

Step 4. Descend to Safety: Release the free end of the lifeline to initiate descent. Descent speed will be automatically controlled to a rate described in Section 1.2 C by the R550 Descender's centrifugal brake. Descent may be interrupted by firmly grasping the free end of the lifeline (see Figure 6). Bend your knees to prepare for landing. After landing, disconnect the lifeline from the body support. Record all descents in the Descent Log (Section 10).

CAUTION: *The R550 Rescue & Escape Device may become hot during use which could injure the user if parts other than those used to control the descent are touched. Use beyond the specified load and descent length limits may generate excessive heat which could damage the descent line.*

4.0 TRAINING

It is the responsibility of the user and purchaser of this equipment to be trained in the correct care and use of this equipment. The user and purchaser must be aware of the operating characteristics, application limits, and consequences of improper use of this equipment.

WARNING: *Training must be conducted without exposing the trainee to a fall hazard. Training should be repeated on a periodic basis.*

5.0 INSPECTION

To ensure safe, efficient operation, the R550 Rescue & Escape Device should be inspected at intervals defined in Section 5.1. See Section 5.3 for inspection procedures.

5.1 FREQUENCY: In addition to inspecting the R550 Rescue & Escape Device prior to each use, Inspection should be performed at the following regular intervals:

- **Pre-Use Inspection:** If the Rollgliss R550 Rescue & Escape Device is not stored in a Humidity Resistant Case (see Figure 9), the Rollgliss R550 Rescue & Escape Device should be inspected per the steps in Section 5.3 prior to each use:

HUMIDITY RESISTANT CASE INSPECTION: *If the R550 Rescue & Escape Device is stored continuously in a Humidity Resistant Case (see Figure 10), monthly and yearly inspections are not required. In addition to inspection prior to each use (see Section 5.3), the Humidity Indicator on the case (see Figure 10) should be inspected annually and the date and inspector's initials logged on the Case Inspection Label (see Section 8). If the Humidity Indicator displays a reading of 60 or greater (Pie Sector Indicator), the case should be removed from service and the contents inspected per the Inspection Steps defined in Section 5.3.*

- **At Least Annually:** A formal inspection should be completed by a competent person² other than the user. A formal inspection should be completed if the system parameters are changed, such as after a system is moved, Re-rigged, anchorages moved, etc. Extreme working conditions may require increasing the Inspection frequency. Inspect the R550 Rescue & Escape Device in accordance with Section 5.3 and Section 5.4. Record inspection results in the Inspection and Maintenance Log, or use the i-Safe™ inspection web portal to maintain inspection records (see Section 5.2).
- **Every Five Years:** The R550 Rescue & Escape Device must be sent to an authorized service center for inspection and service (see Section 6.2).

IMPORTANT: *If the R550 Rescue & Escape Device is continuously stored in a Humidity Resistant Case (see Figure 10) and pre-use and annual inspections of the case's Humidity Indicator confirm allowable humidity levels, the device must be sent to a authorized service center for inspection and service at intervals not to exceed ten years. (See Section 6.2)*

5.2 I-SAFE™ RFID TAG: R550 Rescue & Escape Devices are equipped with an i-Safe™ Radio Frequency Identification (RFID) tag (Figure 9). The i-Safe™ RFID tag on the R550 Descender can be used in conjunction with the i-Safe handheld reading device and the web based portal to simplify inspection and inventory control and provide records for fall protection equipment. If you are a first-time user, contact a Customer Service representative in the US at 800-328-6146 or in Canada at 800-387-7484. If you have already registered, go to: www.capitalsafety.com/isafe. Follow the instructions provided with the i-Safe handheld reader or on the web portal to transfer your data to the web log.

² **Competent Person:** *Person who is knowledgeable of the current periodic examination requirements, recommendations and instructions issued by the manufacturer applicable to the relevant component, subsystem or system.*

5.3 INSPECTION STEPS: Per the intervals defined in Section 5.1, inspect the R550 Descender as follows:

- Step 1.** (See Figure 10) If the R550 Rescue & Escape Device is stored in a Humidity Resistant Case, inspect the Humidity Indicator on the outside of the case (A). If the Humidity Indicator displays a reading of 60 or greater (pie sector indicator): (1) Open the case and inspect the R550 Descender per the remaining steps. (2) Maintain the case as described in Section 6.1.
- Step 2.** Inspect device for loose fasteners and bent or damaged parts.
- Step 3.** Inspect device housing for distortion, cracks, or other damage. Ensure the anchorage handle is not damaged or distorted.
- Step 4.** The lifeline must pull through the device. Inspect the entire rope for cuts, burns, severely abraded areas, and excessive wear.

NOTE: The rope sheath may become frayed during normal use.

- Step 5.** Device labels must be present and fully legible (see Section 8).
- Step 6.** Inspect for corrosion on the device.
- Step 7.** Inspect carabiners for damage, corrosion, and working condition.
- Step 8.** Inspect all system components and subsystems according to manufacturer's instructions.
- Step 9.** Record inspection results in the Inspection and Maintenance Log (Section 9) or on the i-Safe web portal (Section 5.2).

5.4 UNSAFE OR DEFECTIVE CONDITIONS: If inspection reveals an unsafe or defective condition, remove the device from service and contact an authorized service center for repair.

Figure 9 - i-Safe™ RFID Tag

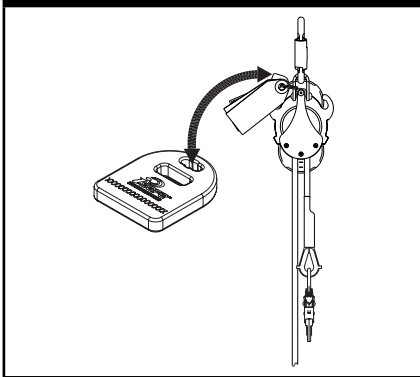
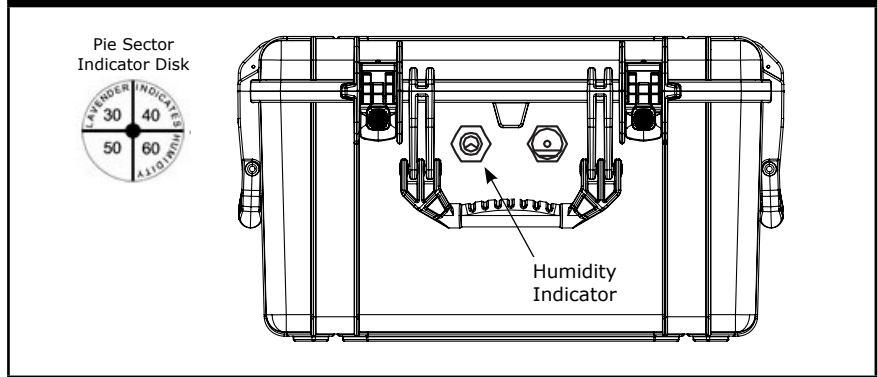


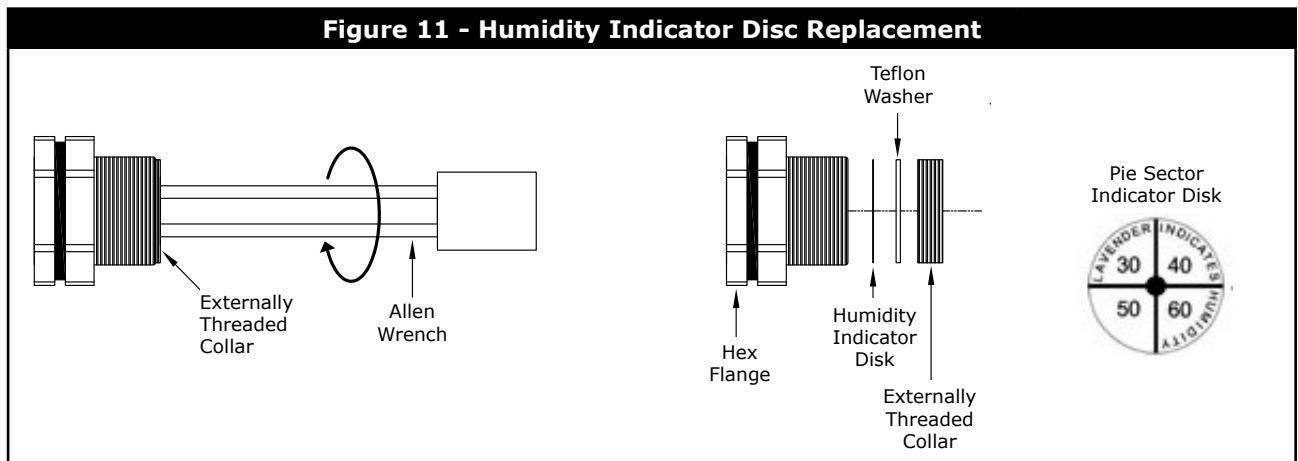
Figure 10 - Humidity Resistant Case (9508289)



6.0 MAINTENANCE, SERVICE, STORAGE

6.1 MAINTENANCE:

- **Rollgliss R550 Descender:** Periodically clean the exterior of the R550 Rescue & Escape Device with water and mild detergent. Position the device so excess water will drain out. Clean labels as required. Clean lifeline with water and mild detergent. Rinse and thoroughly air dry. Do not force dry with heat. A buildup of dirt, paint, etc., may prevent the lifeline from pulling through the device. Ensure no knots are present.
- **Humidity Resistant Case:** If inspection of the Humidity Indicator indicates the Humidity Resistant Case has experienced high humidity (see Section 5.3), perform the following maintenance:
 - ◇ Replace the Pie Sector Indicator Disc (see Figure 11):
 1. Grasp the Humidity Indicator housing by the Hex Flange on the outside of the case.
 2. Insert a 1/2" hex wrench (Allen Wrench) into the Externally Threaded Collar and turn the Collar counter-clockwise to loosen.
 3. Remove the Externally Threaded Collar.
 4. Remove the Teflon Washer.
 5. Remove the old Pie Sector Indicator Disc.
 6. Install a new Pie Sector Indicator Disc (P/N 9505223).
 7. Install the Teflon Washer.
 8. Install the Externally Threaded Collar.
 9. Hold the Humidity Indicator housing by the Hex Flange and Torque the Externally Threaded Collar to 45-55 inch-lbs (5-6 Nm).
 - ◇ Just prior to resealing the Humidity Resistant Case, replace all Moisture Absorber Packets in the case with new packets (P/N 9505148). Each new Moisture Absorber Packet is wrapped in a foil bag. Remove the foil bag before placing the the new packet in the case.



- 6.2 SERVICE:** Maintenance and service must be completed by an authorized service center. An authorization and return number must be issued by Capital Safety. Do not attempt to disassemble the device. The R550 Rescue and Escape Device requires service by an authorized service center every five years (when properly stored and maintained) with the exception of units used in training applications, which require service every two years. Service by an authorized service center is also required when the Maximum Cumulative Descent Distance has been reached or when the product fails an inspection. Descent Distances should be logged and totaled in the Descent Log (Section 10). Service by an authorized service center shall include an intensive inspection and cleaning of all components and replacement of Friction Pads as required. Failure to provide required service may shorten the product life and compromise safety and performance.

NOTE: Only Capital Safety or parties authorized in writing may make repairs to this equipment.

- 6.3 STORAGE:** Store the R550 Rescue & Escape Device in a cool, dry, clean environment, out of direct sunlight. Avoid areas where chemical or organic vapors are present. Thoroughly inspect the R550 Descender after extended storage. If the R550 Rescue and Escape Device can not be stored in a proper environment, a humidity resistant case should be used.

NOTE: Descender devices installed at a workstation and left in place between inspections should be adequately protected from environmental conditions.

7.0 SPECIFICATIONS

7.1 MATERIALS:

Housing:	Aluminum Alloy
Pulley:	Aluminum Alloy
Anchorage Handle:	Stainless Steel
Fasteners:	Stainless Steel
Shafts & Gears:	Alloy Steel
Bushings:	Bronze
Lifeline:	9.5 mm (3/8") Polyamide Static Kernmantel Rope
Finish Paint:	Polyester Baked Finish

7.2 PERFORMANCE

Anchorage Strength Required:	1,361 kg (3,000 lb)	
Capacity:	1 Person: 130 lb - 310 lb (59 kg - 141 kg) 2 Persons: 130 lb - 620 lb (59 kg - 282 kg)	
Maximum Allowed Descent Height:	1 Person: 1,640 ft (500 m) when system length permits 2 Persons: 574 ft (175 m) when system length permits	
Nominal Descent Speed:	1 Person: 2 ft/s - 3 ft/s (0.6 m/s - 0.9 m/s) 2 Persons: 2 ft/s - 4 ft/s (0.6 m/s - 1.2 m/s)	
Maximum Consecutive Descents:	The Maximum Number of Consecutive Descents is equal to the Total Cumulative Descent Distance divided by the Descent Height. Total Cumulative Descent Distances for various weight limitations are as follows:	
	2 Persons up to 620 lb (282 kg)	1,148 ft (350 m)
	1 Person to 310 lb (141 kg)	18,044 ft (5,500 m)
	1 Person to 220 lb (100 kg)	25,443 ft (7,755 m)
	1 Person to 165 lb (75 kg)	36,089 ft (11,000 m)
Device meets OSHA and ANSI/ASSE Z359.4 Requirements:	Yes	
Device meets CSA Z259.2.3 - 12 Type 1A Requirements:	Yes	

Model	Product	Features	Descent Length:	
			in Feet	in Meters
3327050	Rollgliss R550	Rescue Lifting	050	15.24
3327100	Rollgliss R550	Rescue Lifting	100	30.48
3327150	Rollgliss R550	Rescue Lifting	150	45.72
3327200	Rollgliss R550	Rescue Lifting	200	60.96
3327275	Rollgliss R550	Rescue Lifting	275	83.82
3327300	Rollgliss R550	Rescue Lifting	300	91.44
3327325	Rollgliss R550	Rescue Lifting	325	99.06
3327350	Rollgliss R550	Rescue Lifting	350	106.68
3327400	Rollgliss R550	Rescue Lifting	400	121.92
3327500	Rollgliss R550	Rescue Lifting	500	152.4
3325100	Rollgliss R550		100	30.48
3325200	Rollgliss R550		200	60.96
3325275	Rollgliss R550		275	83.82
3325300	Rollgliss R550		300	91.44
3326100	Rollgliss R550	Rescue Lifting - Protective Case	100	30.48
3326300	Rollgliss R550	Rescue Lifting - Protective Case	300	91.44
3326350	Rollgliss R550	Rescue Lifting - Protective Case	350	106.68
3327600	Rollgliss R550	Rescue Lifting	600	182.88

NOTE: Additional Model Numbers may appear on the next printing of these instructions. R550 Descenders are available in 25 foot (8 m) descent length increments up to 1,640 ft. (500 m). Contact Capital Safety for models not listed.

LIMITED LIFETIME WARRANTY

Warranty to End User: D B Industries, LLC dba CAPITAL SAFETY USA ("CAPITAL SAFETY") warrants to the original end user ("End User") that its products are free from defects in materials and workmanship under normal use and service. This warranty extends for the lifetime of the product from the date the product is purchased by the End User, in new and unused condition, from a CAPITAL SAFETY authorized distributor. CAPITAL SAFETY'S entire liability to End User and End User's exclusive remedy under this warranty is limited to the repair or replacement in kind of any defective product within its lifetime (as CAPITAL SAFETY in its sole discretion determines and deems appropriate). No oral or written information or advice given by CAPITAL SAFETY, its distributors, directors, officers, agents or employees shall create any different or additional warranties or in any way increase the scope of this warranty. CAPITAL SAFETY will not accept liability for defects that are the result of product abuse, misuse, alteration or modification, or for defects that are due to a failure to install, maintain, or use the product in accordance with the manufacturer's instructions.

CAPITAL SAFETY'S WARRANTY APPLIES ONLY TO THE END USER. THIS WARRANTY IS THE ONLY WARRANTY APPLICABLE TO OUR PRODUCTS AND IS IN LIEU OF ALL OTHER WARRANTIES AND LIABILITIES, EXPRESSED OR IMPLIED. CAPITAL SAFETY EXPRESSLY EXCLUDES AND DISCLAIMS ANY IMPLIED WARRANTIES OF MERCHANTABILITY OR FITNESS FOR A PARTICULAR PURPOSE, AND SHALL NOT BE LIABLE FOR INCIDENTAL, PUNITIVE OR CONSEQUENTIAL DAMAGES OF ANY NATURE, INCLUDING WITHOUT LIMITATION, LOST PROFITS, REVENUES, OR PRODUCTIVITY, OR FOR BODILY INJURY OR DEATH OR LOSS OR DAMAGE TO PROPERTY, UNDER ANY THEORY OF LIABILITY, INCLUDING WITHOUT LIMITATION, CONTRACT, WARRANTY, STRICT LIABILITY, TORT (INCLUDING NEGLIGENCE) OR OTHER LEGAL OR EQUITABLE THEORY.



Global Leader in Fall Protection

USA

3833 SALA Way
Red Wing, MN 55066-5005
Toll Free: 800.328.6146
Phone: 651.388.8282
Fax: 651.388.5065
solutions@capitalsafety.com

Brazil

Rua Anne Frank, 2621
Boqueirão Curitiba PR
81650-020
Brazil
Phone: 0800-942-2300
brasil@capitalsafety.com

Mexico

Calle Norte 35, 895-E
Col. Industrial Vallejo
C.P. 02300 Azcapotzalco
Mexico D.F.
Phone: (55) 57194820
mexico@capitalsafety.com

Colombia

Compañía Latinoamericana de Seguridad S.A.S.
Carrera 106 #15-25 Interior 105 Manzana 15
Zona Franca - Bogotá, Colombia
Phone: 57 1 6014777
servicioalcliente@capitalsafety.com

Canada

260 Export Boulevard
Mississauga, ON L5S 1Y9
Phone: 905.795.9333
Toll-Free: 800.387.7484
Fax: 888.387.7484
info.ca@capitalsafety.com

EMEA (Europe, Middle East, Africa)

EMEA Headquarters:
5a Merse Road
North Moons Moat
Redditch, Worcestershire
B98 9HL UK
Phone: + 44 (0)1527 548 000
Fax: + 44 (0)1527 591 000
csgne@capitalsafety.com

France:

Le Broc Center
Z.I. 1re Avenue - BP15
06511 Carros Le Broc Cedex
France
Phone: + 33 04 97 10 00 10
Fax: + 33 04 93 08 79 70
information@capitalsafety.com

Australia & New Zealand

95 Derby Street
Silverwater
Sydney NSW 2128
Australia
Phone: +(61) 2 8753 7600
Toll-Free : 1800 245 002 (AUS)
Toll-Free : 0800 212 505 (NZ)
Fax: +(61) 2 8753 7603
sales@capitalsafety.com.au

Asia

Singapore:
69, Ubi Road 1, #05-20
Oxley Bizhub
Singapore 408731
Phone: +65 - 65587758
Fax: +65 - 65587058
inquiry@capitalsafety.com

Shanghai:

Rm 1406, China Venturetech Plaza
819 Nan Jing Xi Rd,
Shanghai 200041, P R China
Phone: +86 21 62539050
Fax: +86 21 62539060
inquiry@capitalsafety.cn

www.capitalsafety.com

