



OSHA 1910.140  
OSHA 1926.502



Fall Protection

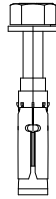
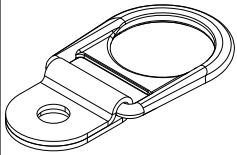
# CONCRETE BOLT

Anchorage Connector

## USER INSTRUCTIONS

5903053 REV. C

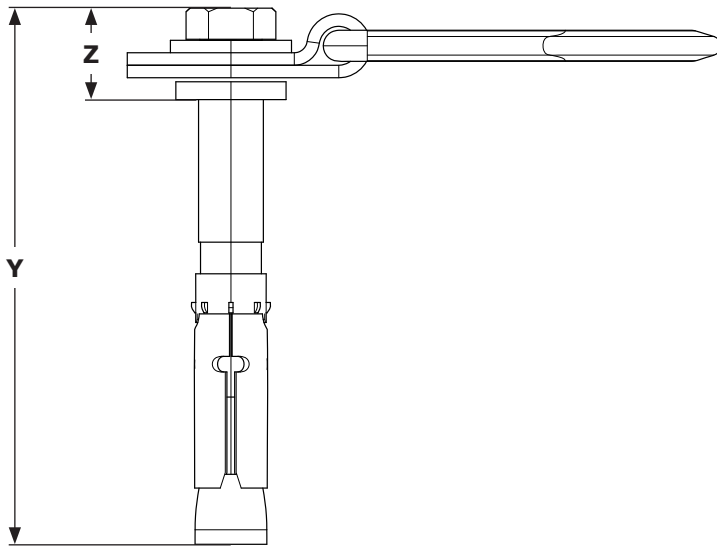
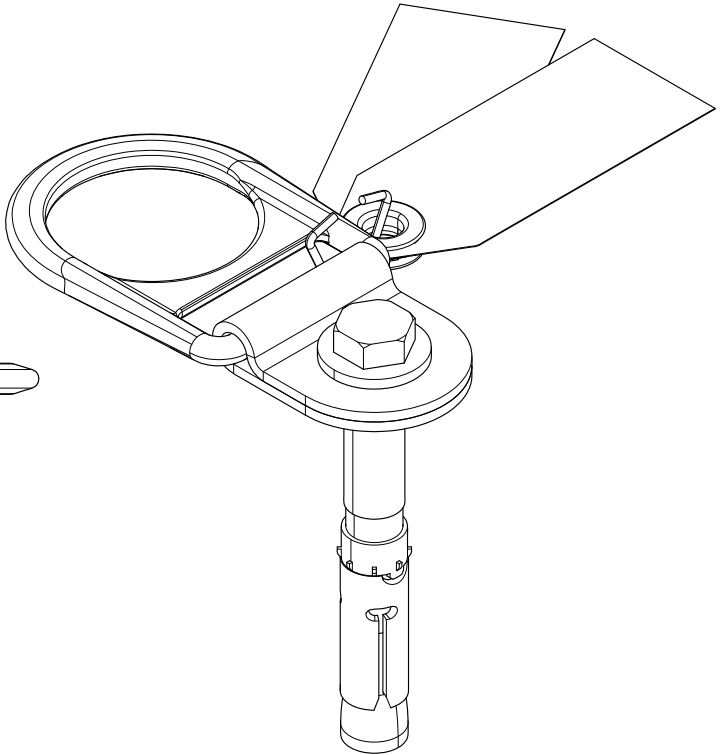
1



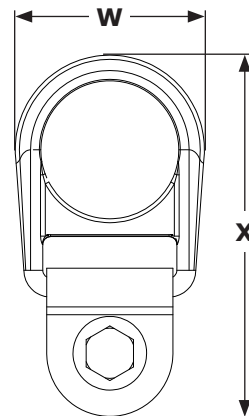
2190055

x1

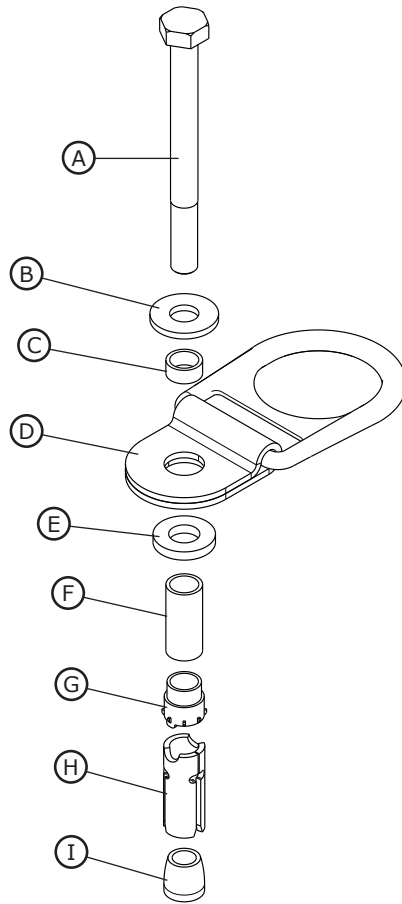
x1



W	X	Y	Z
3.0 in. (7.62 cm)	5.73 in. (14.55 cm)	5.22 in. (13.26 cm)	0.88 in. (2.24 cm)

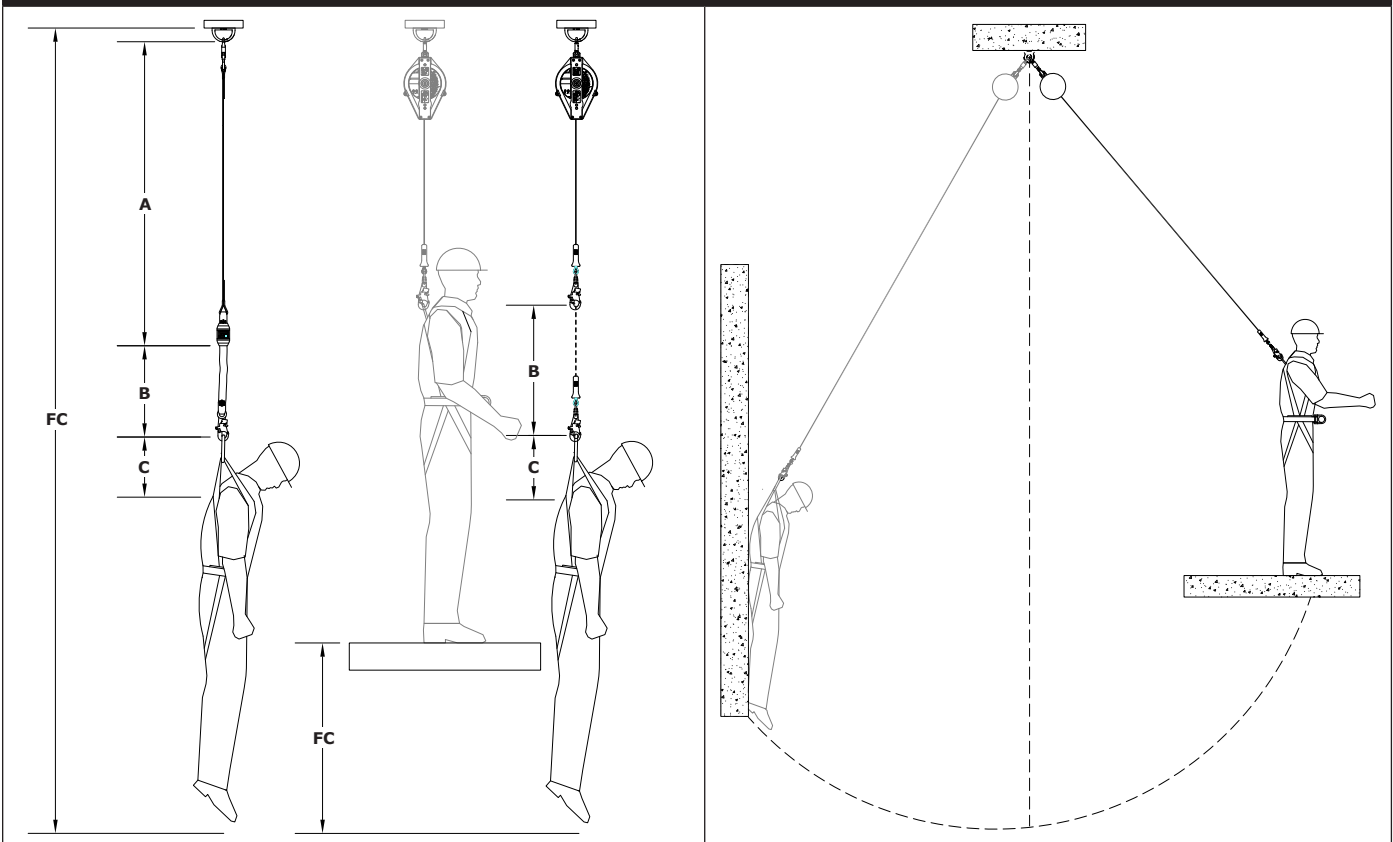


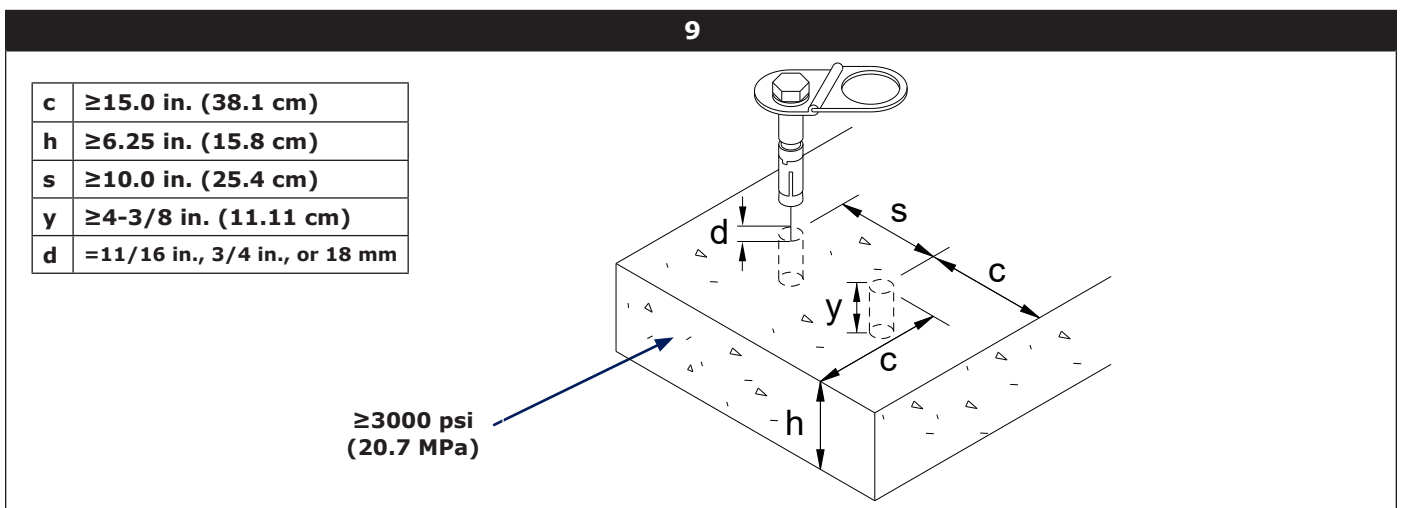
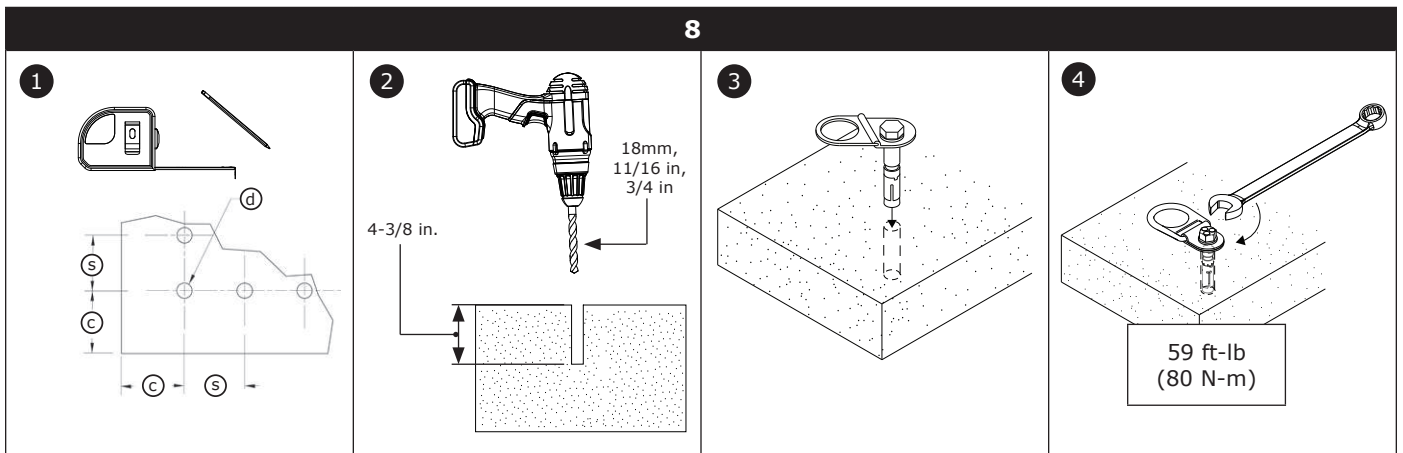
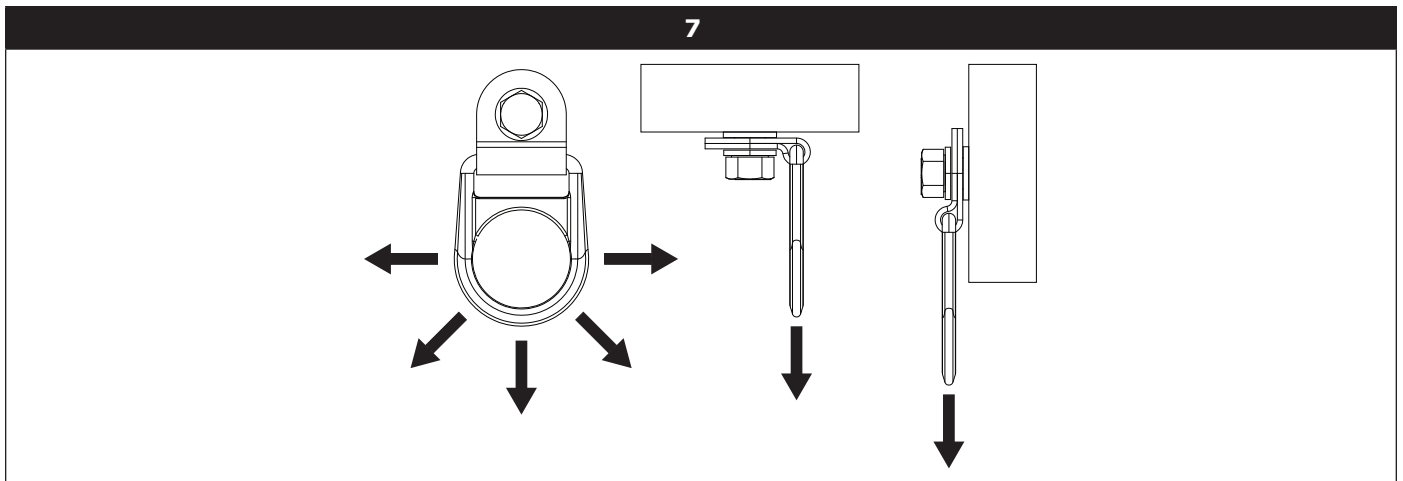
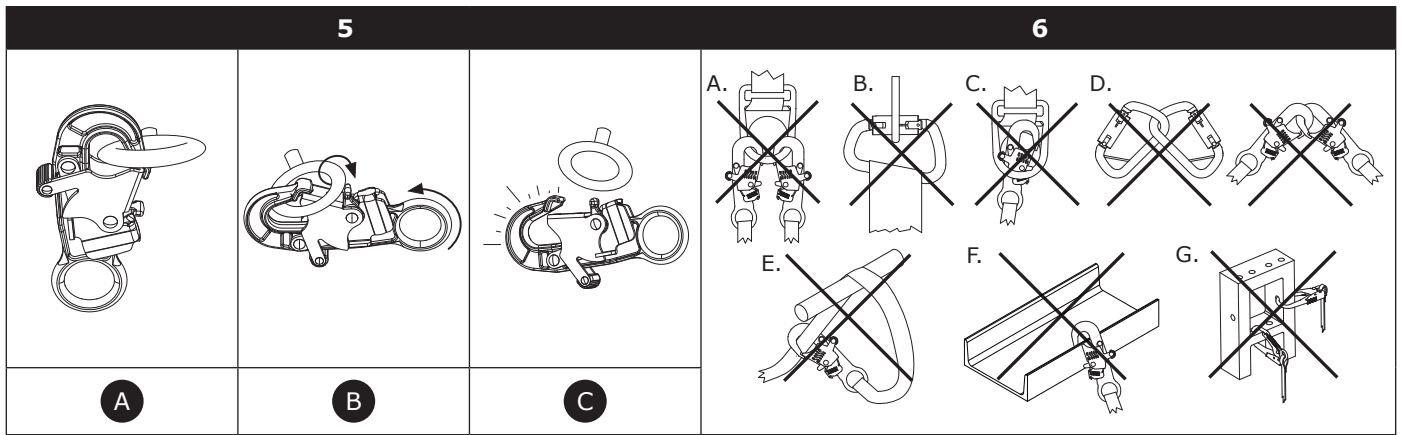
2



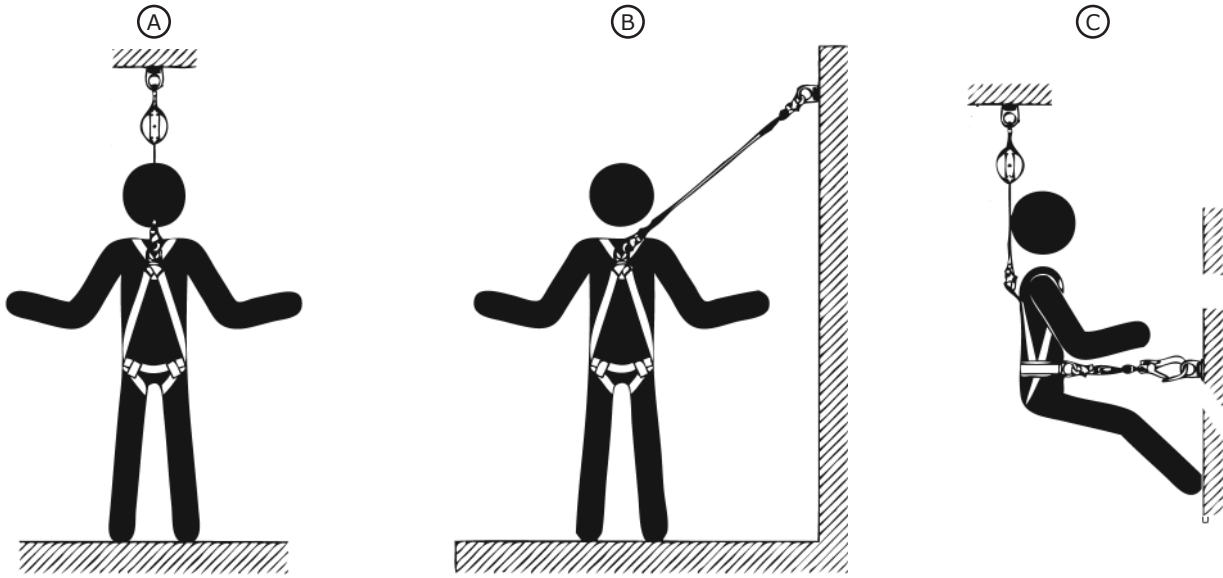
3

4

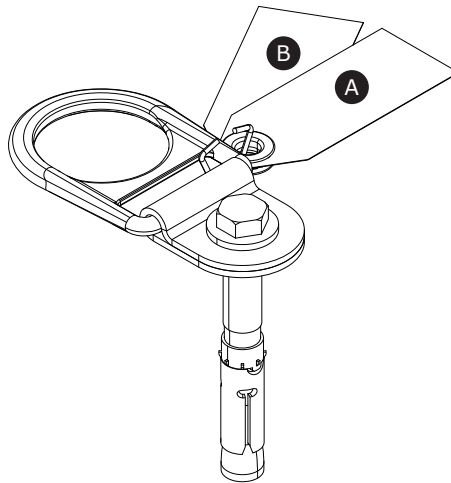




10



11



**INSTALLATION:**

Step 1: Mark location for anchor. Observe minimum edge distance and spacing requirements. See reverse side of label for additional requirements.

Step 2: Drill 11/16", 18mm, or 3/4" diameter hole to a depth of 4 3/8 inches.

Step 3: Clean hole using blow-out bulb or compressed air.

Step 4: Tap anchor into hole using a hammer. Anchor flange must seat firmly against concrete.

Step 5: Tighten bolt to 59 ft-lbs (80 N-m) with torque wrench. Do not use impact tool.

Concrete minimum compressive strength 3000 psi. Not for use in lightweight concrete, hollow block, brick, grout, or stone.

Hole size: 4 3/8 in. deep X 11/16 in., 18mm, or 3/4 in diameter

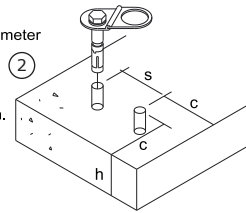
Min. Anchor Spacing (s) = 10 in.

Min. Edge Distance (c) = 15 in.

Min. Base Thickness (h) = 6 1/4 in.

**INSPECTION:**

Inspect anchor before each use. Do not use if inspection reveals unsafe or defective condition.



**3M** | **PROTECTOR**

This product meets OSHA 1910.140 and 1926.502 requirements.

3M.com/FallProtection

**MATERIALS:** Zinc plated steel anchor bolt, stainless steel D-ring bracket, zinc plated steel D-ring

**CAPACITY:** 1 person, 310 lbs max.

**MFRD (YR/MO) / LOT NO: MODEL NO:**

7 INSPECTION LOG	
DATE	INITIAL

**8 WARNING**

Manufacturer's instructions supplied with this product at time of shipment must be followed for proper use, maintenance and inspection. Alteration or misuse of this product, or failure to follow instructions may result in serious injury or death. Inspect anchor before each use. Do not use if inspection reveals an unsafe condition. Fall arrest systems must limit maximum arresting forces to 1800 lbs. Do not allow fall arrest system to abrade against sharp edges. Use caution near hazardous thermal, electrical or chemical sources. Make only compatible connections. Do not exceed capacity of this or other system components. Refer to User Manual. Items subject to fall arrest impact forces must be immediately removed from service and destroyed. Do not remove this label.

## SAFETY INFORMATION

**Please read, understand, and follow all safety information contained in these instructions prior to the use of this Anchorage Connector. FAILURE TO DO SO COULD RESULT IN SERIOUS INJURY OR DEATH.**

**These instructions must be provided to the user of this equipment. Retain these instructions for future reference.**

### Intended Use:

This Anchorage Connector is intended for use as part of a complete personal fall protection system.

Use in any other application including, but not limited to, material handling, recreational or sports related activities, or other activities not described in the User Instructions, is not approved by 3M and could result in serious injury or death.

This device is only to be used by trained users in workplace applications.

### WARNING

This Anchorage Connector is part of a personal fall protection system. It is expected that all users be fully trained in the safe installation and operation of their personal fall protection system. **Misuse of this device could result in serious injury or death.** For proper selection, operation, installation, maintenance, and service, refer to these User Instructions and all manufacturer recommendations, see your supervisor, or contact 3M Technical Service.

- **To reduce the risks associated with working with an Anchorage Connector which, if not avoided, could result in serious injury or death:**
  - Inspect the device before each use, at least annually, and after any fall event. Inspect in accordance with the User Instructions.
  - If inspection reveals an unsafe or defective condition, remove the device from service and repair or replace according to the User Instructions.
  - Any device that has been subject to fall arrest or impact force must be immediately removed from service and destroyed.
  - The device must only be installed in the specified substrates or on structures detailed in the User Instructions. Installations and use outside the scope of this instruction must be approved by 3M Fall Protection.
  - The substrate or structure to which the anchorage connector is attached must be able to sustain the static loads specified for the anchor in the orientations permitted in the User Instructions.
  - Only connect other fall protection subsystems to the designated anchorage connection point on the device.
  - Prior to drilling or fastening, ensure no electric lines, gas lines, or other critical embedded systems will be contacted by the drill or the device.
  - Ensure that fall protection systems/subsystems assembled from components made by different manufacturers are compatible and meet the requirements of applicable standards, including the ANSI Z359 or other applicable fall protection codes, standards, or requirements. Always consult a Competent or Qualified Person before using these systems.
  - (CONCRETE ANCHORS) Do not use device in wet or uncured concrete, hollow block, stone, wood, or other substrates or materials.
  - (CONCRETE ANCHORS) Prior to installation of device in an existing hole, inspect the hole for deformation, correct substrate thickness, and correct hole diameter and depth.
- **To reduce the risks associated with working at height which, if not avoided, could result in serious injury or death:**
  - Ensure your health and physical condition allow you to safely withstand all of the forces associated with working at height. Consult with your doctor if you have any questions regarding your ability to use this equipment.
  - Never exceed allowable capacity of your fall protection equipment.
  - Never exceed maximum free fall distance of your fall protection equipment.
  - Do not use any fall protection equipment that fails pre-use or other scheduled inspections, or if you have concerns about the use or suitability of the equipment for your application. Contact 3M Technical Services with any questions.
  - Some subsystem and component combinations may interfere with the operation of this equipment. Only use compatible connections. Consult 3M prior to using this equipment in combination with components or subsystems other than those described in the User Instructions.
  - Use extra precautions when working around moving machinery (e.g. top drive of oil rigs) electrical hazards, extreme temperatures, chemical hazards, explosive or toxic gases, sharp edges, or below overhead materials that could fall onto you or your fall protection equipment.
  - Use Arc Flash or Hot Works devices when working in high heat environments.
  - Avoid surfaces and objects that can damage the user or equipment.
  - Ensure there is adequate fall clearance when working at height.
  - Never modify or alter your fall protection equipment. Only 3M or parties authorized in writing by 3M may make repairs to the equipment.
  - Prior to use of fall protection equipment, ensure a rescue plan is in place which allows for prompt rescue if a fall incident occurs.
  - If a fall incident occurs, immediately seek medical attention for the worker who has fallen.
  - Do not use a body belt for fall arrest applications. Use only a Full Body Harness.
  - Minimize swing falls by working as directly below the anchorage point as possible.
  - If training with this device, a secondary fall protection system must be utilized in a manner that does not expose the trainee to an unintended fall hazard.
  - Always wear appropriate personal protective equipment when installing, using, or inspecting the device/system.

Prior to installation and use of this equipment, record the product identification information from the ID label in the Inspection and Maintenance Log (Table 2) at the back of this manual.

Always ensure you are using the latest revision of your 3M instruction manual. Visit the 3M website or contact 3M Technical Services for updated instruction manuals.

**PRODUCT DESCRIPTION:**

Figure 1 illustrates the 3M™ Protecta® Concrete Bolt Anchor. The Concrete Bolt Anchor is a single point anchorage connector for a personal fall arrest system designed to be attached to a supporting structure. The Concrete Bolt Anchor may also be used as an end termination for 3M-approved EN795: 2012 Type C Horizontal Lifeline Systems.

Figure 2 illustrates components of the Concrete Bolt Anchor. See Table 1 for Component Specifications. The Concrete Bolt Anchor is comprised of a Bolt (A) with a Flat Washer (B), Short Spacer (C), and D-Ring Bracket (D). The Bolt is secured below the D-Ring Bracket with a Thick Flat Washer (E), Long Spacer (F), Spacer (G), Expansion Sleeve (H), and a Cone Nut (I).

**Table 1 – Specifications**

<b>System Specifications:</b>	
<b>Capacity:</b>	One person with a combined weight (including clothing, tools, etc.) of no more than 310 lb. (140 kg).
<b>Anchorage:</b>	<p><b>Anchorage Structure:</b> The structure must meet the dimensional requirements specified in Figure 9. The concrete structure to which the Anchorage Connector is mounted must be capable of sustaining force in the anticipated direction(s) of loading. Anchorage strength must comply with Section 2.1 requirements.</p> <p><input checked="" type="checkbox"/> The concrete must have a minimum compressive strength of 3,000 psi (20.7 MPa). The Anchorage Connector is not intended for use in lightweight concrete, hollow block, brick, grout, or stone, wood, or other substrate. The concrete base material must be at least 6.25 in. (15.8 cm) thick. Do not install in cracked concrete.</p>
<b>Service Temperature:</b>	-40°F (-40°C) Minimum Service Temperature
<b>Anchorage Connector Breaking Strength:</b>	5,000 lbf (22.2 kN) Minimum Breaking Strength
<b>Standards:</b>	Meets the test requirements of OSHA 1910.140 and 1926.502.
<b>Dimensions:</b>	See Figure 1 for the dimensions of each Concrete Bolt Anchor model.
<b>Weight:</b>	2190055: 1.2 lb. (544.3 g)

<b>Component Specifications:</b>		
<b>Figure 2 Reference</b>	<b>Component</b>	<b>Materials</b>
(A)	Bolt	Zinc-plated steel
(B)	Flat Washer	Zinc-plated steel
(C)	Short Spacer	Zinc-plated steel
(D)	D-Ring Bracket	Bracket: Stainless steel D-Ring: Forged alloy steel
(E)	Thick Flat Washer	Zinc-plated steel
(F)	Long Spacer	Zinc-plated steel
(G)	Spacer	Plastic
(H)	Expansion Sleeve	Zinc-plated steel
(I)	Cone Nut	Zinc-plated steel

**Concrete Hole Requirements - (See Figure 9)**

<b>Concrete Minimum Thickness: (h)</b>	<b>Minimum Distance from Edge/Corner: (c)</b>	<b>Hole Spacing: (s)</b>	<b>Drilled Hole Diameter: (d)</b>	<b>Minimum Hole Depth: (y)</b>	<b>Concrete Minimum Compressive Strength:</b>
≥6.25 in. (15.8 cm)	≥15.0 in. (38.1 cm)	≥10.0 in. (25.4 cm)	11/16 in., 3/4 in., or 18 mm	≥4-3/8 in. (11.11 cm)	≥3000 psi (20.7 MPa) fully cured

Drill bits for drilling mounting holes must conform to CE requirements.

## 1.0 PRODUCT APPLICATION

- 1.1 PURPOSE:** Anchorage Connectors are designed to provide anchorage connection points for Fall Arrest<sup>1</sup>, Fall Restraint<sup>2</sup>, Work Positioning<sup>3</sup>, or Rescue<sup>4</sup> systems.

**Fall Protection Only:** This Anchorage Connector is for connection of Fall Protection equipment. Do not connect Lifting Equipment to the Anchorage Connector.

- 1.2 STANDARDS:** Your Anchorage Connector conforms to the national or regional standard(s) identified on the front cover of these instructions. If this product is resold outside the original country of destination, the re-seller must provide these instructions in the language of the country in which the product will be used.
- 1.3 SUPERVISION:** Use of this equipment must be supervised by a Competent Person<sup>5</sup>.
- 1.4 TRAINING:** This equipment must be installed and used by persons trained in its correct application. This manual is to be used as part of an employee training program as required by national, regional, or local standards. It is the responsibility of the users and installers of this equipment to ensure they are familiar with these instructions, trained in the correct care and use of this equipment, and are aware of the operating characteristics, application limitations, and consequences of improper use of this equipment.
- 1.5 RESCUE PLAN:** When using this equipment and connecting subsystem(s), the employer must have a rescue plan and the means at hand to implement and communicate that plan to users<sup>6</sup>, authorized persons<sup>7</sup>, and rescuers<sup>8</sup>. A trained, on-site rescue team is recommended. Team members should be provided with the equipment and techniques to perform a successful rescue. Training should be provided on a periodic basis to ensure rescuer proficiency.
- 1.6 AFTER A FALL:** If the product is subjected to fall arrest or impact force, remove the product from service immediately. Clearly tag the product "DO NOT USE". See Section 5 for more information.

## 2.0 SYSTEM REQUIREMENTS

- 2.1 ANCHORAGE:** Anchorage structure requirements vary with the system application and whether it is a certified anchorage<sup>9</sup> or non-certified anchorage<sup>10</sup>. The structure to which a Fall Arrest, Restraint, Work Positioning, or Rescue system is attached must sustain static loads applied in the directions permitted as shown in the following table. Anchorage strength requirements, along with system applications, are specified below, unless noted or defined otherwise in Table 1:

Fall Protection System	Certified Anchorage <sup>9</sup>	Non-Certified Anchorage <sup>10</sup>	Defined by
Fall Arrest	2 times maximum arresting force	5,000 lbf (22.2 kN)	OSHA, ANSI
Restraint/Travel Restraint	2 times foreseeable force	1,000 lbf (4.4 kN) per ANSI 5,000 lbf (22.2 kN) per OSHA	OSHA, ANSI
Work Positioning	2 times foreseeable force	3,000 lbf (13.3 kN)	OSHA, ANSI
Rescue	5 times applied load	3,000 lbf (13.3 kN)	ANSI

When more than one system is attached to an anchorage, the strengths stated above must be multiplied by the number of systems attached to the anchorage. See ANSI Z359.2 for more information.

- 2.2 PERSONAL FALL ARREST SYSTEM:** Figure 1 illustrates the application of this Anchorage Connector. Personal Fall Arrest Systems (PFAS) used with the system must meet applicable Fall Protection standards, codes, and requirements. The PFAS must incorporate a Full Body Harness and limit Arresting Force to the following values:

	Maximum Arresting Force	Free Fall
<b>PFAS with Shock Absorbing Lanyard</b>	1800 lbf (8 kN)	Refer to the instruction(s) included with your Lanyard or SRD for Free Fall limitations.
<b>PFAS with Self Retracting Device (SRD)</b>	1800 lbf (8 kN)	

- 2.3 FALL PATH AND SRD LOCKING SPEED:** A clear path is required to assure positive locking of an SRD. Situations which do not allow for an unobstructed fall path should be avoided. Working in confined or cramped spaces may not allow the body to reach sufficient speed to cause the SRD to lock if a fall occurs. Working on slowly shifting material, such as sand or grain, may not allow enough speed buildup to cause the SRD to lock.

- 1 Fall Arrest System:** A collection of Fall Protection Equipment configured to arrest a free fall. Protects the user in the event of a fall. Free fall is permitted up to the limits allowed by the connecting device (either an Energy Absorbing Lanyard or Self-Retracting Device (SRD)).
- 2 Restraint System:** A collection of Fall Protection Equipment configured to prevent the person's center of gravity from reaching a fall hazard. Prevents the user from reaching a hazard. No vertical free fall is permitted.
- 3 Work Positioning System:** A collection of Fall Protection Equipment configured to support a user at a work position. Must include a back-up personal fall arrest system. Maximum permissible free fall is 2 feet.
- 4 Rescue System:** A collection of Fall Protection Equipment configured to remove a person from danger, harm, or confinement to a safe location. No vertical free fall is permitted.
- 5 Competent Person:** One who is capable of identifying existing and predictable hazards in the surroundings or working conditions which are unsanitary, hazardous, or dangerous to employees, and who has authorization to take prompt corrective measures to eliminate them.
- 6 User:** A person who performs activities while protected by a Fall Protection system.
- 7 Authorized Person:** A person assigned by the employer to perform duties at a location where the person will be exposed to a fall hazard.
- 8 Rescuer:** Person or persons other than the rescue subject acting to perform an assisted rescue by operation of a rescue system.
- 9 Certified Anchorage:** An anchorage for fall arrest, positioning, restraint, or rescue systems that a Qualified Person certifies to be capable of meeting the criteria for a certified anchorage according to Section 2.1.
- 10 Non-Certified Anchorage:** A fall arrest anchorage that a Competent Person can judge to be capable of supporting the predetermined anchorage forces listed in Section 2.1.

- 2.4 HAZARDS:** Use of this equipment in areas with environmental hazards may require additional precautions to prevent injury to the user or damage to the equipment. Hazards may include, but are not limited to: heat, chemicals, corrosive environments, high voltage power lines, explosive or toxic gases, moving machinery, sharp edges, or overhead materials that may fall and contact the user or Personal Fall Arrest System.
- 2.5 FALL CLEARANCE:** Figure 3 illustrates the components of a Fall Arrest. There must be sufficient Fall Clearance (FC) to arrest a fall before the user strikes the ground or other obstruction. Clearance is affected by a number of factors including: Anchorage Location, (A) Lanyard Length, (B) Lanyard Deceleration Distance or SRD Maximum Arrest Distance, (C) Harness Stretch and D-Ring/Connector Length and Settling. Refer to the instructions included with your Fall Arrest subsystem for specifics regarding Fall Clearance calculation.
- 2.6 SWING FALLS:** Swing Falls occur when the anchorage point is not directly above the point where a fall occurs (see Figure 4). The force of striking an object in a swing fall may cause serious injury or death. Minimize swing falls by working as directly below the anchorage point as possible. Do not permit a swing fall if injury could occur. Swing falls will significantly increase the clearance required when a Self-Retracting Device or other variable length connecting subsystem is used.
- 2.7 COMPONENT COMPATIBILITY:** 3M equipment is designed for use with 3M approved components and subsystems only. Substitutions or replacements made with non-approved components or subsystems may jeopardize compatibility of equipment and may affect the safety and reliability of the complete system.
- 2.8 CONNECTOR COMPATIBILITY:** Connectors are considered to be compatible with connecting elements when they have been designed to work together in such a way that their sizes and shapes do not cause their gate mechanisms to inadvertently open regardless of how they become oriented. Contact 3M if you have any questions about compatibility.
- Connectors (hooks, carabiners, and D-rings) must be capable of supporting at least 5,000 lbf (22.2 kN). Connectors must be compatible with the anchorage or other system components. Do not use equipment that is not compatible. Non-compatible connectors may unintentionally disengage (see Figure 5). Connectors must be compatible in size, shape, and strength. If the connecting element to which a snap hook or carabiner attaches is undersized or irregular in shape, a situation could occur where the connecting element applies a force to the gate of the snap hook or carabiner (A). This force may cause the gate to open (B), allowing the snap hook or carabiner to disengage from the connecting point (C).
- Self-locking snap hooks and carabiners are required by ANSI Z359 and OSHA.
- 2.9 MAKING CONNECTIONS:** Snap hooks and carabiners used with this equipment must be self-locking. Ensure all connections are compatible in size, shape and strength. Do not use equipment that is not compatible. Ensure all connectors are fully closed and locked.
- 3M connectors (snap hooks and carabiners) are designed to be used only as specified in each product's user's instructions. See Figure 6 for examples of inappropriate connections. Do not connect snap hooks and carabiners:
- A. To a D-ring to which another connector is attached.
  - B. In a manner that would result in a load on the gate. Large throat snap hooks should not be connected to standard size D-rings or similar objects which will result in a load on the gate if the hook or D-ring twists or rotates, unless the snap hook complies is equipped with a 3,600 lbf (16 kN) gate. Check the marking on your snap hook to verify that it is appropriate for your application.
  - C. In a false engagement, where features that protrude from the snap hook or carabiner catch on the anchor, and without visual confirmation seems to be fully engaged to the anchor point.
  - D. To each other.
  - E. Directly to webbing or rope lanyard or tie-back (unless the manufacturer's instructions for both the lanyard and connector specifically allows such a connection).
  - F. To any object which is shaped or dimensioned such that the snap hook or carabiner will not close and lock, or that roll-out could occur.
  - G. In a manner that does not allow the connector to align properly while under load.



### 3.0 INSTALLATION

Installation of the Protecta Concrete Bolt Anchor must be performed or supervised by a Competent Person.

- 3.1 PLANNING:** Plan your Fall Protection system prior to installation of the Concrete Bolt Anchor. Account for all factors that may affect your safety before, during and after a fall. Consider all requirements, limitations and specifications defined in Section 2 and Table 1. Select a concrete location that is free of any cracks or other defects that could affect the strength of the concrete structure.
- 3.2 INSTALLING THE CONCRETE BOLT ANCHOR:** The Concrete Bolt Anchor can be installed in concrete meeting the anchorage requirements specified in Table 1. See Figure 7 for proper loading of the Concrete Bolt Anchor. Figure 8 illustrates installation of the Concrete Bolt Anchor. To install the Concrete Bolt Anchor:
1. Mark the location for the placement of the Concrete Bolt Anchor. Observe minimum edge distance and spacing requirements as specified in Figure 9.
  2. Use a rotary hammer and 18 mm, 11/16 in, or 3/4 in bit to drill a hole to a depth of 4 3/8 in. (11.1 cm). Clean the hole using a blow-out bulb or compressed air. The hole must be free of debris for the Concrete Bolt Anchor to develop full strength.
  3. Use a hammer to drive the Concrete Bolt Anchor into the hole. The Concrete Bolt Anchor must be seated firmly against the D-Ring Bracket. Do not expand the anchor bolt by hand before installation.
  4. Torque the bolt to 59 ft-lb (80 N-m) using a 15/16 in. wrench. A torque wrench is required for installation.

Do not use an IMPACT driver or drill for installation of the Concrete Bolt Anchor. Only use a torque wrench.

- 3.3 REMOVAL:** The Concrete Bolt Anchor can be removed by loosening the bolt with a 15/16 in. wrench. Parts of the Concrete Bolt Anchor will remain in the hole permanently. After removal, the hole should be filled with grout or sealant to prevent reuse of the hole.
- 3.3 REUSE:** The D-Ring Bracket may be reused if it has not been subjected to a fall force and passes inspection criteria. The bolt cannot be reused and must be destroyed after removal. Refer to the previous section for removal instructions. Assemble the Concrete Bolt Anchor using 3M supplied parts as shown in Figure 2. The components should be assembled on the bolt in the following order: flat washer, D-Ring bracket, flanged spacer, black plastic spacer, expansion sleeve, and cone nut. The D-Ring bracket must fit over the flanged spacer and rotate freely. Two tabs on the plastic spacer must engage the matching slots on the expansion sleeve. Do not expand the anchor bolt by hand prior to installation. Refer to Section 3.2 for installation procedures.

### 4.0 USE

- 4.1 BEFORE EACH USE:** Verify that your work area and Fall Protection system meet all criteria defined in these instructions. Verify that a formal Rescue Plan is in place. Inspect the Concrete Bolt Anchor per the 'User' inspection points defined on the "Inspection and Maintenance Log". If inspection reveals an unsafe or defective condition, or if there is any doubt about its condition for safe use, remove the Concrete Bolt Anchor from service immediately. Clearly tag the system "DO NOT USE". See Section 5 for more information.
- 4.2 FALL ARREST CONNECTIONS:** The Concrete Bolt Anchor is used with a Full Body Harness and Energy-Absorbing Lanyard or Self-Retracting Device (SRD). Connect the Lanyard or SRD between the D-Ring on the Concrete Bolt Anchor and the back Dorsal D-Ring on the Harness as instructed in the instruction manual included with the Lanyard or SRD. Refer to Figure 10a and 10b for Fall Arrest Connections.
- 4.3 HORIZONTAL SYSTEMS:** Select Anchorage Connectors can be used as end anchor points for horizontal systems. Anchorages for horizontal systems must be designed and certified by a Qualified Person<sup>1</sup> with experience and training in designing and using horizontal lifeline systems. Non-certified anchorages shall not be used for horizontal lifelines. Only use an anchorage connector that meets the load, moment, and directional requirements for that specified horizontal system. Non-Fixed, Sliding, or Counterweight Anchorage Connectors should not be used with a horizontal system. Refer to the instruction manual and installation manual supplied with your horizontal lifeline system for more information on anchorage and anchorage connector requirements.

### 5.0 INSPECTION

After product has been removed from service, it may not be returned to service until a Competent Person confirms in writing that it is acceptable to do so.

- 5.1 INSPECTION FREQUENCY:** The product shall be inspected before each use by an authorized person and, additionally, by a Competent Person other than the user at intervals of no longer than one year. A higher frequency of equipment use and harsher conditions may require increasing the frequency of Competent Person inspections. The frequency of these inspections should be determined by the Competent Person per the specific conditions of the worksite.
- 5.2 INSPECTION PROCEDURES:** Inspect this product per the procedures listed in the "Inspection and Maintenance Log". Documentation of each inspection should be maintained by the owner of this equipment. An inspection and maintenance log should be placed near the product or be otherwise easily accessible to users. It is recommended that the product is marked with the date of next or last inspection.

**1 Qualified Person:** A person with a recognized degree, certificate, or professional standing, or who by extensive knowledge, training, and experience has successfully demonstrated their ability to solve or resolve problems relating to fall protection and rescue systems to the extent required by applicable national, regional, and local regulations.

**5.3 DEFECTS:** If the product cannot be returned to service because of an existing defect or unsafe condition, or because it has been subjected to a fall arrest, either destroy the product or contact 3M regarding possible replacement or repair.

**5.4 PRODUCT LIFE:** The functional life of the Concrete Bolt Anchor is determined by work conditions and maintenance. As long as the product passes inspection criteria, it may remain in service.

### **6.0 MAINTENANCE, SERVICE, and STORAGE**

*Equipment that is in need of maintenance or scheduled for maintenance should be tagged "DO NOT USE". These equipment tags should not be removed until maintenance is performed.*

**6.1 CLEANING:** Periodically clean the Concrete Bolt Anchor's metal components with a soft brush, warm water, and a mild soap solution. Ensure parts are thoroughly rinsed with clean water.

**6.2 SERVICE:** Only 3M or parties authorized in writing by 3M may make repairs to this equipment.

**6.3 STORAGE AND TRANSPORT:** When not in use, store and transport the Concrete Bolt Anchor and associated Fall Protection equipment in a cool, dry, clean environment out of direct sunlight. Avoid areas where chemical vapors may exist. Thoroughly inspect components after extended storage.

### **7.0 LABELS and MARKINGS**

**7.1 LABELS:** Figure 11 illustrates labels on the Concrete Bolt Anchor. Labels must be replaced if they are not fully legible. Information provided on each label is as follows:

<b>A</b>	<ol style="list-style-type: none"><li>1) Installation Procedure</li><li>2) Concrete Hole Requirements</li><li>3) Inspection</li></ol>
<b>B</b>	<ol style="list-style-type: none"><li>1) Company Logo</li><li>2) Applicable Standards</li><li>3) Materials</li><li>4) Product Capacity</li><li>5) Manufactured (Year/Month) and Lot Number</li><li>6) Model Number</li><li>7) Inspection Log</li><li>8) Warning Statement - Read all instructions.</li></ol>



## INFORMATION DE SÉCURITÉ

**Veillez lire, comprendre et suivre toutes les informations de sécurité contenues dans ces instructions avant d'utiliser ce connecteur d'ancrage. LE NON-RESPECT DE CES INSTRUCTIONS PEUT ENTRAÎNER DES BLESSURES GRAVES, VOIRE LA MORT.**

**Ces instructions doivent être transmises à l'utilisateur de cet équipement. Veillez conserver ces instructions pour une utilisation ultérieure.**

### Utilisation prévue :

Ce connecteur d'ancrage est prévu pour être utilisé comme partie intégrante d'un système de protection antichute personnel complet.

L'utilisation dans le cadre d'autres applications comme, sans en exclure d'autres, des activités récréatives ou liées au sport, ou d'autres activités non décrites dans les instructions destinées à l'utilisateur, n'est pas approuvée par 3M et peut entraîner des blessures graves voire la mort.

Ce dispositif doit être utilisé uniquement par des usagers formés sur les applications du lieu de travail.

## AVERTISSEMENT

Ce connecteur d'ancrage fait partie intégrante d'un système de protection antichute personnel complet. Il est attendu que tous les usagers sont entièrement formés sur l'installation sécuritaire et le fonctionnement de leur système de protection antichute personnel. **Une mauvaise utilisation de ce dispositif peut entraîner des blessures graves, voire la mort.** Pour s'assurer d'un choix, d'un fonctionnement, d'une installation, de travaux d'entretien et de réparation appropriés, reportez-vous à ces instructions de l'utilisateur ainsi qu'à toutes les recommandations du fabricant, consultez votre superviseur ou communiquez avec les services techniques de 3M.

- **Pour réduire les risques associés au travail en hauteur avec un connecteur d'ancrage qui, s'ils ne sont pas évités, pourraient entraîner de graves blessures, voire la mort :**
  - Inspectez le dispositif avant chaque utilisation, au moins annuellement, et après chaque cas de chute. Réalisez l'inspection conformément aux instructions de l'utilisateur.
  - Si l'inspection révèle l'existence d'une défektivité ou d'un problème affectant la sécurité, mettez l'équipement hors service et faites-le réparer ou remplacez-le conformément à ces instructions.
  - Tout dispositif ayant été soumis à un arrêt de chute ou à une force d'impact doit être immédiatement retiré du service et détruit.
  - Ce dispositif ne doit être installé que sur les structures ou dans les substrats spécifiés, comme il est précisé dans les instructions de l'utilisateur. Toute installation ou utilisation qui est hors de la portée de ces instructions doit être approuvée par le service de protection antichute de 3M.
  - La structure ou le substrat auquel le connecteur d'ancrage est fixé doit pouvoir résister aux charges statiques précisées pour le dispositif d'ancrage dans les sens permis indiqués dans les instructions de l'utilisateur.
  - Ne connectez les autres sous-systèmes de protection antichute qu'au point de connexion d'ancrage désigné sur le dispositif.
  - Avant de procéder au perçage ou à une fixation, assurez-vous que la perceuse ou le dispositif n'entrera pas en contact avec des lignes électriques, des conduites de gaz ou d'autres systèmes intégrés critiques.
  - Assurez-vous que les systèmes/sous-systèmes de protection antichute assemblés à partir de composants fabriqués par différents fabricants sont compatibles et répondent aux exigences des normes applicables, y compris la norme ANSI Z359 ou d'autres codes, normes ou exigences de protection antichute applicables. Consultez toujours une personne qualifiée ou compétente avant d'utiliser ces systèmes.
  - (ANCRES POUR BÉTON) N'utilisez pas ce dispositif dans un béton humide ou non durci, un bloc creux, de la pierre, du bois ou tout autre substrat ou matériau.
  - (ANCRES POUR BÉTON) Avant d'installer ce dispositif dans un trou préexistant, vérifiez que le trou ne présente aucune déformation, que l'épaisseur du substrat est correcte et que le diamètre ainsi que la profondeur du trou sont adéquats.
- **Pour réduire les risques associés au travail en hauteur qui, s'ils ne sont pas évités, pourraient entraîner des blessures graves, voire la mort :**
  - Assurez-vous que votre condition physique et votre état de santé vous permettent de supporter en toute sécurité toutes les forces associées au travail en hauteur. Consultez votre médecin en cas de questions sur votre capacité à utiliser cet équipement.
  - Ne dépassez jamais la capacité maximale permise de votre équipement de protection antichute.
  - Ne dépassez jamais la distance maximale de chute libre de votre équipement de protection antichute.
  - N'utilisez jamais un équipement de protection antichute qui échoue à une inspection préalable à son utilisation ou à toute autre inspection programmée ou encore si vous vous inquiétez de l'utilisation ou de la pertinence de l'équipement pour votre application. En cas de questions, n'hésitez pas à communiquer avec les services techniques de 3M.
  - Certaines combinaisons de sous-systèmes et de composants peuvent gêner le fonctionnement de cet équipement. N'utilisez que des connecteurs compatibles. Consultez 3M avant d'employer cet équipement conjointement avec des composants ou des sous-systèmes autres que ceux décrits dans les instructions à l'utilisateur.
  - Prenez des précautions supplémentaires lorsque vous travaillez à proximité d'une machinerie mobile (p. ex. l'entraînement supérieur d'une plateforme pétrolière), risques électriques, températures extrêmes, risques chimiques, gaz explosifs ou toxiques, bords tranchants ou matériaux en suspension pouvant endommager l'utilisateur ou l'équipement.
  - Lorsque vous travaillez dans un environnement où la chaleur est élevée, utilisez des appareils dont l'usage se fait en environnement chaud ou en présence d'arc électrique.
  - Évitez les surfaces et les objets qui pourraient endommager l'équipement de l'utilisateur.
  - Lorsque vous travaillez en hauteur, vérifiez d'abord que la distance d'arrêt est adéquate.
  - Ne modifiez jamais votre équipement de protection antichute. Seules 3M ou les parties autorisées par écrit par 3M sont en droit d'effectuer des réparations sur cet équipement.
  - Avant d'utiliser un équipement de protection antichute, assurez-vous qu'un plan de sauvetage est en place et permet un sauvetage rapide en cas de chute.
  - Si un tel incident devait se produire, obtenez des soins médicaux immédiats pour le travailleur tombé.
  - N'utilisez pas de ceinture de travail dans les applications de protection antichute. N'utilisez qu'un harnais de sécurité complet.
  - Vous pouvez réduire les chutes oscillantes en travaillant aussi près que possible de l'ancrage.
  - Si ce dispositif est utilisé en formation, un second système de protection antichute doit être utilisé aussi de façon à ne pas exposer le stagiaire à un danger de chute involontaire.
  - Portez toujours un équipement de protection individuelle approprié lors de l'installation, de l'utilisation ou de l'inspection du dispositif/système.

Avant d'installer et d'utiliser ce matériel, consigner l'information d'identification de produit de l'étiquette d'identification dans le Journal d'inspection et d'entretien (tableau 2) à la fin de ce manuel.

Toujours s'assurer d'utiliser la dernière révision du manuel d'utilisation de 3M. Consulter le site Web de 3M ou communiquer avec le service technique de 3M pour obtenir des manuels d'utilisation mis à jour.

## DESCRIPTION DU PRODUIT :

La figure 1 montre l'ancrage à boulon pour le béton Protecta® 3M<sup>MC</sup>. L'ancrage à boulon pour le béton est un connecteur d'ancrage à point unique destiné au système antichute individuel et conçu pour être fixé à une structure de soutien. L'ancrage à boulon pour le béton peut également être utilisé comme terminaison d'extrémité pour les systèmes horizontaux avec ligne de vie conformes à la norme EN795:2012 Type C approuvés par 3M.

La figure 2 montre les composants de l'ancrage à boulon pour le béton. Consulter le tableau 1 pour les spécifications des composants. L'ancrage à boulon pour le béton est composé d'un boulon (A) avec rondelle plate (B), d'une entretoise courte (C) et d'un support d'anneau en D (D). Le boulon est fixé sous le support d'anneau en D avec une rondelle plate épaisse (E), une entretoise longue (F), une entretoise (G), un manchon d'extension (H) et un écrou conique (I).

**Tableau 1 – Spécifications**

Spécifications du système :					
<b>Capacité :</b>	Une personne dont le poids combiné (comprenant ses vêtements, outils, etc.) ne dépasse pas 140 kg (310 lb).				
<b>Ancrage :</b>	<p><b>Structure d'ancrage :</b> La structure doit respecter les exigences en matière de dimensions indiquées à la figure 9. La structure en béton à laquelle le connecteur d'ancrage est fixé doit être en mesure de supporter la force appliquée, dans le(s) sens de chargement anticipé(s). La compatibilité de l'ancrage doit être conforme aux exigences de la section 2.1.</p> <p><input checked="" type="checkbox"/> Le béton doit avoir une résistance minimale à la compression de 20,7 Mpa (3 000 psi). Le connecteur d'ancrage n'est pas destiné à être utilisé dans le béton léger, le bloc creux, la brique, le coulis, la pierre, le bois ou tout autre substrat. Le matériau de la base en béton doit avoir une épaisseur minimale de 15,8 cm (6,25 po). Ne pas installer dans du béton fissuré.</p>				
<b>Température de service :</b>	-40 °C (-40 °F) Température de service minimale				
<b>Résistance à la rupture du connecteur d'ancrage :</b>	22,2 kN (5 000 lbf) Force de rupture minimale				
<b>Normes :</b>	Conforme aux exigences des essais des normes 1910.140 et 1926.502 de l'OSHA.				
<b>Dimensions :</b>	Voir la figure 1 pour connaître les dimensions de chaque modèle d'ancrage à boulon pour le béton.				
<b>Poids :</b>	2190055 : 544,3 g (1,2 lb)				
Spécifications des composants :					
Figure 2 Référence	Composant	Matériaux			
(A)	Boulon	Acier zingué			
(B)	Rondelle plate	Acier zingué			
(C)	Entretoise courte	Acier zingué			
(D)	Support d'anneau en D	Support : Acier inoxydable Anneau en D : Alliage d'acier forgé			
(E)	Rondelle plate épaisse	Acier zingué			
(F)	Entretoise longue	Acier zingué			
(G)	Entretoise	Plastique			
(H)	Manchon d'extension	Acier zingué			
(I)	Écrou conique	Acier zingué			
Exigences relatives aux trous de béton – (voir la figure 9)					
Épaisseur minimale du béton : (h)	Distance minimale du bord/coin : (c)	Espacement entre les trous : (s)	Diamètre du trou percé : (d)	Profondeur minimum du trou : (y)	Résistance minimale à la compression du béton :
(6,25 po) ≥ 15,8 cm	(15,0 po) ≥ 38,1 cm	(10,0 po) ≥ 25,4 cm	(11/16 po ou 3/4 po) 18 mm	(4 3/8 po) ≥ 11,11 cm	≥ 20,7 Mpa (3 000 lb/po <sup>2</sup> ) entièrement durci
<input checked="" type="checkbox"/> Les forets utilisés pour percer les trous de fixation doivent être conformes aux exigences de l'CE.					

## 1.0 APPLICATION DU PRODUIT

**1.1 OBJECTIF :** Les connecteurs d'ancrage sont conçus pour fournir des points de raccordement d'ancrage pour les systèmes antichute<sup>1</sup>, systèmes de limitation de chute<sup>2</sup>, système de positionnement pour le travail<sup>3</sup> ou systèmes de<sup>4</sup> sauvetage.

**Pour la protection contre les chutes seulement :** Ce connecteur d'ancrage est conçu pour le raccordement du matériel de protection contre les chutes. Ne pas raccorder d'équipement de levage au connecteur d'ancrage.

**1.2 NORMES :** Votre connecteur d'ancrage est conforme à la ou aux normes nationales ou régionales identifiées sur la couverture avant de ces instructions. Si ce produit est revendu en dehors du pays d'origine de destination, le revendeur doit fournir ces directives dans la langue du pays dans lequel le produit sera utilisé.

**1.3 SUPERVISION :** L'utilisation de ce matériel doit être supervisée par une personne compétente.<sup>5</sup>

**1.4 FORMATION :** Ce matériel doit être installé et utilisé par des personnes formées pour que son application soit appropriée. Ce manuel doit être utilisé dans le cadre d'un programme de formation pour les employés, comme l'exigent les normes nationales, régionales ou locales. L'utilisateur et l'installateur de ce matériel sont tenus de se familiariser avec les présentes directives, de suivre une formation afin d'entretenir et d'utiliser correctement ce matériel et de bien connaître les caractéristiques opérationnelles, les limites des applications ainsi que les conséquences d'une utilisation inappropriée de ce matériel.

**1.5 PLAN DE SAUVETAGE :** Pour l'utilisation de ce matériel et des sous-systèmes de connexion, l'employeur doit avoir un plan de sauvetage et les moyens de le mettre en œuvre et de le communiquer aux utilisateurs<sup>6</sup>, aux personnes autorisées<sup>7</sup> et aux sauveteurs<sup>8</sup>. Il est conseillé d'avoir une équipe de sauvetage formée présente sur place. Les membres de l'équipe doivent disposer du matériel ainsi que des connaissances techniques nécessaires pour accomplir un sauvetage réussi. La formation doit être répétée régulièrement afin d'assurer l'efficacité des sauveteurs.

**1.6 APRÈS UNE CHUTE :** Si le produit a été soumis à une force d'arrêt de chute ou d'impact, le mettre hors service immédiatement. Indiquer clairement « NE PAS UTILISER » sur le produit. Consulter la section 5 pour obtenir de plus amples renseignements.

## 2.0 EXIGENCES DU SYSTÈME

**2.1 ANCRAGE :** Les exigences de structure d'ancrage varient selon l'application du système et le fait qu'il s'agisse d'un ancrage homologué<sup>9</sup> ou d'un ancrage non homologué<sup>10</sup>. La structure à laquelle est fixé le système antichute, de limitation de chute, de positionnement pour le travail ou de sauvetage doit supporter des charges statiques appliquées dans les directions autorisées, comme l'indique le tableau suivant. Les exigences de résistance d'ancrage, de même que les applications du système, sont détaillées ci-dessous, sauf si elles sont notées ou définies dans le tableau 1 :

Système de protection contre les chutes	Ancrage homologué <sup>9</sup>	Ancrage non homologué <sup>10</sup>	Défini par
Système antichute	2 fois la force d'arrêt maximale	22,2 kN (5 000 lbf)	OSHA, ANSI
Dispositif de retenue/ restriction du déplacement	2 fois la force prévisible	4,4 kN (1 000 lb) selon l'ANSI 22,2 kN (5 000 lb) selon l'OSHA	OSHA, ANSI
Positionnement de travail	2 fois la force prévisible	13,3 kN (3 000 lbf)	OSHA, ANSI
Sauvetage	5 fois la charge appliquée	13,3 kN (3 000 lbf)	ANSI

Lorsque plusieurs équipements sont fixés à un ancrage, les forces indiquées ci-dessus doivent être multipliées par le nombre d'équipements de sauvetage fixés à l'ancrage. Consulter la section ANSI Z359.2 pour de plus amples informations.

**2.2 SYSTÈME ANTICHUTE INDIVIDUEL :** La figure 1 illustre l'utilisation de ce connecteur d'ancrage. Les systèmes antichute individuels utilisés avec ce système doivent être conformes aux normes, aux codes et aux exigences applicables en matière de protection contre les chutes. Le système antichute individuel doit comporter un harnais de sécurité complet et limiter la force d'arrêt conformément aux valeurs suivantes :

- 1 Système antichute :** Ensemble de matériel de protection contre les chutes configuré pour arrêter une chute libre. Protège l'utilisateur en cas de chute. La distance en chute libre admissible se limite à celle permise par le dispositif de raccordement (qu'il s'agisse d'une longe amortisseur de choc ou d'un dispositif autorétractable).
- 2 Système de limitation de chute :** Ensemble de matériel de protection contre les chutes configuré pour empêcher le centre de gravité de la personne de se retrouver en danger de chute. Empêche l'utilisateur de se retrouver en danger de chute. Aucune chute libre verticale n'est possible.
- 3 Système de positionnement pour le travail :** Ensemble de matériel de protection contre les chutes configuré pour supporter un utilisateur dans une position de travail. Doit comporter un système antichute individuel. La distance en chute libre maximale autorisée est de 2 pieds.
- 4 Système de sauvetage :** Ensemble de matériel de protection contre les chutes configuré pour extraire une personne d'une situation dangereuse, lui éviter des blessures ou la confiner dans un endroit sûr. Aucune chute libre verticale n'est possible.
- 5 Personne compétente :** Personne capable de reconnaître les dangers existants et prévisibles au sein du milieu de travail ou les conditions de travail insalubres, risquées ou dangereuses pour les employés, et qui possède l'autorisation pour apporter des mesures correctives diligentes pour les éliminer.
- 6 Utilisateur :** Une personne qui réalise des activités tout en étant protégée par un système de protection contre les chutes.
- 7 Personne autorisée :** Une personne affectée par l'employeur et chargée d'exécuter des travaux à un emplacement qui l'expose à un danger de chute.
- 8 Sauveteur :** Toute personne autre que la personne secourue effectuant un sauvetage assisté à l'aide d'un système de sauvetage
- 9 Ancrage homologué :** Un ancrage pour les systèmes antichute, de positionnement, de limitation de chute ou de sauvetage qu'une personne qualifiée juge capable de satisfaire aux critères en matière d'ancrage homologué conformément à la section 2.1.
- 10 Ancrage non homologué :** Un ancrage pour un système antichute qu'une personne compétente peut juger capable de supporter les forces d'ancrage prédéterminées énumérées à la section 2.1.

	Force d'arrêt maximale	Chute libre
<b>Système antichute individuel avec long amortisseur de choc</b>	8 kN (1800 lbf)	<i>Consulter les instructions incluses avec la longe ou le dispositif autorétractable pour obtenir de plus amples renseignements sur les limites associées aux chutes libres.</i>
<b>Système antichute individuel avec dispositif autorétractable</b>	8 kN (1800 lbf)	

- 2.3 TRAJECTOIRE DE CHUTE ET VITESSE DE BLOCAGE DU DISPOSITIF AUTORÉTRACTABLE :** Une trajectoire de chute non obstruée est nécessaire pour que le dispositif autorétractable se bloque normalement. Les situations sans trajectoire de chute non obstruée doivent être évitées. Lorsqu'une personne travaille dans un espace réduit ou étroit, il est possible qu'en cas de chute, le corps ne puisse pas atteindre une vitesse suffisante pour que le dispositif autorétractable se bloque. De même, il est possible qu'une personne travaillant sur un matériau instable, comme du sable ou du grain, ne puisse pas chuter à une vitesse suffisante pour bloquer le dispositif autorétractable.
- 2.4 DANGERS :** L'utilisation de ce matériel dans des zones de dangers environnementaux peut exiger de prendre des précautions additionnelles afin d'éviter que l'utilisateur ne se blesse ou que le matériel ne subisse des dommages. Les risques peuvent comprendre, notamment et sans limitation : la chaleur, les produits chimiques, les environnements corrosifs, les lignes électriques à haute tension, les gaz explosifs ou toxiques, de la machinerie en mouvement, les bords acérés ou les matériaux suspendus pouvant tomber et entrer en contact avec l'utilisateur ou le système antichute individuel.
- 2.5 DÉGAGEMENT DE CHUTE :** La figure 3 illustre les composants du dispositif antichute. Le dégagement de chute (DC) sous l'utilisateur doit être suffisant pour arrêter la chute avant qu'il n'entre en contact avec le sol ou tout autre obstacle. Le dégagement est affecté par un certain nombre de facteurs, notamment : emplacement de l'ancrage, (A) longueur de la longe, (B) distance de décélération de la longe ou distance d'arrêt maximale du dispositif autorétractable (C) étirement du harnais et affaissement et longueur de l'anneau en D/du connecteur. Se reporter aux directives fournies avec le sous-système antichute pour de plus amples détails sur le calcul du dégagement de chute.
- 2.6 CHUTES OSCILLANTES :** Les chutes avec mouvement de balancier se produisent lorsque le point d'ancrage ne se trouve pas directement au-dessus du point où une chute se produit (voir la figure 4). Si un objet est heurté pendant le mouvement de balancier, la force peut être importante et causer des blessures graves ou la mort. Vous pouvez réduire les chutes oscillantes en travaillant aussi près que possible du point d'ancrage. Éviter toute chute avec mouvement de balancier s'il y a un risque de blessure. Les chutes avec mouvement de balancier requièrent une plus grande distance d'arrêt lors de l'utilisation d'un dispositif autorétractable ou de tout autre sous-système de connexion à longueurs variables.
- 2.7 COMPATIBILITÉ DES COMPOSANTS :** Le matériel 3M est destiné à être utilisé uniquement avec des composants et des sous-systèmes approuvés par 3M. Les substitutions ou les remplacements effectués avec des composants ou des sous-systèmes non approuvés peuvent affecter la compatibilité du matériel ainsi que la sécurité et la fiabilité du système dans son ensemble.
- 2.8 COMPATIBILITÉ DES CONNECTEURS :** les connecteurs sont jugés compatibles avec les éléments de connexion lorsqu'ils ont été conçus pour travailler conjointement et de telle manière que leurs tailles et formes n'entraînent pas l'ouverture des mécanismes, quelle que soit leur orientation. Communiquer avec 3M pour toute question sur la compatibilité.
- Les connecteurs (crochets, mousquetons et anneaux en D) doivent pouvoir supporter une charge minimale de 22,2 kN (5 000 lbf). Les connecteurs doivent être compatibles avec l'ancrage ou tout autre composant du système. N'utiliser aucun équipement non compatible. Les connecteurs non compatibles peuvent se décrocher accidentellement (voir la Figure 5). Les connecteurs doivent être compatibles en ce qui concerne leur taille, leur forme et leur résistance. Si le connecteur sur lequel se fixe le crochet à ressort ou le mousqueton est plus petit ou de forme irrégulière, celui-ci risque d'exercer une force sur le doigt du crochet à ressort ou du mousqueton (A). Cette force peut entraîner l'ouverture de la clavette (B), permettant ainsi au crochet à ressort ou au mousqueton de se désengager du point d'attache (C).
- La norme Z359 de l'ANSI et l'OSHA exigent l'utilisation de crochets à ressort et de mousquetons autoverrouillables.
- 2.9 RACCORDEMENTS :** Les crochets à ressort et mousquetons utilisés avec cet équipement doivent être autobloquants. Assurez-vous que toutes les connexions sont compatibles en ce qui concerne leur taille, leur forme et leur résistance. N'utiliser aucun équipement non compatible. Assurez-vous que tous les connecteurs sont bien fermés et verrouillés.
- Les connecteurs 3M (crochets à ressort et mousquetons) sont conçus pour être utilisés uniquement selon les instructions propres à chacun des produits. Consulter la Figure 6 pour obtenir des exemples de connexions inappropriées. Ne pas connecter de crochet à ressort et mousqueton :
- à un dé d'accrochage auquel un autre connecteur est déjà fixé;
  - de manière à occasionner une charge sur le doigt. Les crochets à ressort à ouverture large ne doivent pas être connectés à des anneaux en D de taille standard ou à d'autres objets semblables, au risque d'entraîner une charge sur la clavette si le crochet ou l'anneau en D se déforme ou pivote, sauf si le crochet à ressort est équipé d'une clavette de 16 kN (3 600 lb) de capacité. Vérifier les directives sur le crochet à ressort afin de s'assurer qu'il convient à l'application.
  - En cas de fixation défectueuse, où certains éléments qui dépassent du crochet à ressort ou du mousqueton se prennent dans le point d'ancrage et semblent être totalement pris dans le point d'ancrage sans pouvoir le vérifier visuellement.
  - L'un à l'autre.
  - Directement à la sangle ou à la longe, ou à l'ancrage sous tension (à moins que les instructions du fabricant pour la longe et le connecteur n'autorisent une connexion de ce type).
  - À un objet dont la forme ou la dimension bloque la fermeture et le verrouillage du crochet à ressort ou du mousqueton, ou pourrait provoquer leur décrochage.
  - S'ils ne permettent pas au connecteur de s'aligner correctement alors qu'il est sous tension.

### 3.0 INSTALLATION

*L'installation de l'ancrage à boulon pour le béton Protecta doit être faite ou supervisée par une personne compétente.*

**3.1 PLANIFICATION :** Planifier la configuration du système de protection contre les chutes avant l'installation de l'ancrage à boulon pour le béton. Prendre en compte tous les facteurs qui pourraient affecter la sécurité avant, pendant et après une chute. Tenir compte de toutes les exigences, restrictions et spécifications indiquées dans la section 2 et le tableau 1. Sélectionner un emplacement en béton exempt de fissures ou d'autres défauts susceptibles de compromettre la résistance de la structure en béton.

**3.2 INSTALLATION DE L'ANCRAGE À BOULON POUR LE BÉTON :** L'ancrage à boulon pour le béton peut être installé dans du béton répondant aux exigences d'ancrage précisées dans le tableau 1. Voir la figure 7 pour le chargement approprié de l'ancrage à boulon pour le béton. La figure 8 montre l'installation de l'ancrage à boulon pour le béton. Pour installer l'ancrage à boulon pour le béton :

1. Marquer l'emplacement pour la mise en place de l'ancrage à boulon pour le béton. Respecter les exigences minimales de distance et d'espacement des bords, comme l'indique la figure 9.
2. Utiliser une perceuse à percussion et une mèche de 18 mm (11/16 po ou 3/4 po) pour percer un trou à une profondeur de 11,1 cm (4 3/8 po). Nettoyer le trou à l'aide d'une poire de soufflage ou d'air comprimé. Aucun débris ne doit subsister dans le trou afin que l'ancrage à boulon pour le béton puisse obtenir une résistance maximale.
3. À l'aide d'un marteau, enfoncer l'ancrage à boulon pour le béton dans le trou. L'ancrage à boulon pour le béton doit être solidement appuyé contre le support d'anneau en D. Ne pas allonger le connecteur d'ancrage à la main avant de procéder à l'installation.
4. Serrer le boulon à un couple de 80 Nm (59 pi-lb) avec une clé de 24 mm (15/16 po). Une clé dynamométrique est nécessaire pour procéder à l'installation.

*Ne pas utiliser de visseuse À CHOCS ou de perceuse pour l'installation de l'ancrage à boulon pour le béton. Utiliser uniquement une clé dynamométrique.*

**3.3 RETRAIT :** L'ancrage à boulon pour le béton peut être retiré en desserrant le boulon à l'aide d'une clé de 24 mm (15/16 po). Certaines parties de l'ancrage à boulon pour le béton demeureront définitivement dans le trou. Après le retrait, le trou doit être rempli de coulis ou de mastic pour éviter toute réutilisation du même emplacement.

**3.3 RÉUTILISATION :** Le support d'anneau en D peut être réutilisé s'il n'a pas été soumis à une force de chute et s'il satisfait aux critères d'inspection. Le boulon ne doit pas être réutilisé et doit être détruit après son enlèvement. Des instructions de retrait sont incluses dans la section précédente. Assembler l'ancrage à boulon pour le béton avec les pièces fournies par 3M, comme l'indique la figure 2. Les composants doivent être assemblés sur le boulon dans l'ordre suivant : rondelle plate, support d'anneau en D, entretoise à épaulement, entretoise noire en plastique, manchon d'extension et écrou conique. Le support d'anneau en D doit pouvoir s'insérer sur l'entretoise à épaulement et tourner librement. Les deux pattes de l'entretoise en plastique doivent s'emboîter dans les fentes correspondantes du manchon d'extension. Ne pas allonger le connecteur d'ancrage à la main avant de procéder à l'installation. Consulter la section 3.2 pour connaître les procédures d'installation.

### 4.0 UTILISATION

**4.1 AVANT CHAQUE UTILISATION :** Vérifier que la zone de travail et le système de protection contre les chutes répondent à tous les critères définis dans les présentes directives. S'assurer qu'un plan de sauvetage est en place. Inspecter l'ancrage à boulon pour le béton en suivant les points d'inspection « Utilisateur » définis dans le « Journal d'inspection et d'entretien ». Si l'inspection révèle des conditions dangereuses ou un état défectueux, ou s'il y a un doute relativement à son état en vue d'une utilisation sécuritaire, mettre immédiatement l'ancrage à boulon pour le béton hors service. Indiquer clairement « NE PAS UTILISER » sur le système. Consulter la section 5 pour obtenir de plus amples renseignements.

**4.2 CONNEXIONS POUR SYSTÈME ANTICHUTE :** L'ancrage à boulon pour le béton est utilisé avec un harnais de sécurité complet et une longe amortisseur de choc ou un dispositif autorétractable. Raccorder la longe ou le dispositif autorétractable entre l'anneau en D de l'ancrage à boulon pour le béton et l'anneau en D dorsal à l'arrière du harnais, comme indiqué dans le mode d'emploi compris avec la longe ou le dispositif autorétractable. Consulter les figures 10a et 10b pour les raccordements antichute.

**4.3 SYSTÈMES HORIZONTAUX :** Certains connecteurs d'ancrage peuvent être utilisés comme points d'ancrage d'extrémité pour les systèmes horizontaux. Les ancrages pour les systèmes horizontaux doivent être conçus et certifiés par une personne qualifiée<sup>1</sup> possédant de l'expérience et une formation dans la conception et l'utilisation de systèmes horizontaux avec ligne de vie. Les ancrages non certifiés ne doivent pas être utilisés pour les lignes de vie horizontales. Utiliser uniquement un connecteur d'ancrage qui répond aux exigences de charge, de moment et de direction pour ce système horizontal précis. Les connecteurs d'ancrage non fixés, coulissants ou à contrepoids ne doivent pas être utilisés avec un système horizontal. Consulter le manuel d'instructions et le manuel d'installation fournis avec votre système horizontal avec ligne de vie pour plus d'information sur les exigences d'ancrage et de connecteur d'ancrage.

### 5.0 INSPECTION

*Une fois que le produit a été mis hors service, il ne peut pas être remis en service avant qu'une personne compétente confirme par écrit qu'il est acceptable de le faire.*

**5.1 FRÉQUENCE D'INSPECTION :** Le produit doit être inspecté par une personne autorisée avant chaque utilisation, puis, en plus, par une personne compétente autre que l'utilisateur à un intervalle n'excédant pas une fois par année. Une fréquence d'utilisation élevée du matériel et une utilisation dans des conditions plus difficiles peuvent exiger des inspections plus fréquentes par une personne compétente. La fréquence de ces inspections doit être déterminée par la personne compétente en fonction des conditions particulières du chantier.

**1 Personne qualifiée :** Une personne possédant un diplôme, un certificat ou un statut professionnel reconnu ou qui, grâce à ses connaissances approfondies, sa formation et son expérience, a démontré avec succès sa capacité à résoudre des problèmes liés aux systèmes de protection contre les chutes et de sauvetage dans la mesure requise par le règlement national, régional et local applicable.



**5.2 PROCÉDURES D'INSPECTION :** Inspecter ce produit selon les procédures énumérées dans le « *Journal d'inspection et d'entretien* ». Le propriétaire de ce matériel doit conserver la documentation de chaque inspection. Un journal d'inspection et d'entretien doit être placé à proximité du produit ou être facilement accessible aux utilisateurs. Il est recommandé d'indiquer la date de la prochaine ou de la dernière inspection sur le produit.

**5.3 DÉFAUTS :** Si le produit ne peut pas être remis en service en raison d'un défaut existant ou d'une condition dangereuse, ou parce qu'il a été soumis à un arrêt de chute, détruire le produit ou communiquer avec 3M pour un remplacement ou une réparation possible.

**5.4 DURÉE UTILE DU PRODUIT :** La durée utile de l'ancrage à boulon pour le béton est déterminée par les conditions de travail et l'entretien. Tant que le produit satisfait aux critères d'inspection, il peut être utilisé.

## **6.0 ENTRETIEN, SERVICE et ENTREPOSAGE**

*Le matériel qui nécessite un entretien ou dont l'entretien est prévu doit porter une étiquette indiquant « NE PAS UTILISER ». Ces étiquettes ne doivent pas être retirées avant que l'entretien du matériel soit effectué.*

**6.1 NETTOYAGE :** Nettoyer régulièrement les composants métalliques de l'ancrage à boulon pour le béton avec une brosse douce, de l'eau chaude et une solution savonneuse douce. Veiller à rincer les pièces minutieusement avec de l'eau propre.

**6.2 ENTRETIEN :** Seules 3M ou les parties autorisées par écrit par 3M peuvent réparer ce matériel.

**6.3 ENTREPOSAGE ET TRANSPORT :** Lorsqu'il n'est pas utilisé, entreposer et transporter l'ancrage à boulon pour le béton avec le matériel de protection contre les chutes connexe dans un endroit frais, sec et propre à l'abri de la lumière directe du soleil. Éviter les zones présentant des vapeurs chimiques. Procéder à une inspection minutieuse des composants après un entreposage prolongé.

## **7.0 ÉTIQUETTES et MARQUAGES**

**7.1 ÉTIQUETTES :** La figure 11 montre les étiquettes sur l'ancrage à boulon pour le béton. Si elles ne sont pas parfaitement lisibles, les étiquettes doivent être remplacées. Les informations apparaissant sur chaque étiquette sont les suivantes :

<b>A</b>	<ol style="list-style-type: none"><li>1) Procédure d'installation</li><li>2) Exigences pour les trous dans le béton</li><li>3) Inspection</li></ol>
<b>B</b>	<ol style="list-style-type: none"><li>1) Logo de l'entreprise</li><li>2) Normes applicables</li><li>3) Matériaux</li><li>4) Capacité du produit</li><li>5) Date de fabrication (année/mois) et numéro de lot</li><li>6) Numéro de modèle</li><li>7) Registre d'inspection</li><li>8) Énoncé de mise en garde – Lire toutes les directives.</li></ol>



**GLOBAL PRODUCT WARRANTY, LIMITED REMEDY  
AND LIMITATION OF LIABILITY**

**WARRANTY:** THE FOLLOWING IS MADE IN LIEU OF ALL WARRANTIES OR CONDITIONS, EXPRESS OR IMPLIED, INCLUDING THE IMPLIED WARRANTIES OR CONDITIONS OF MERCHANTABILITY OR FITNESS FOR A PARTICULAR PURPOSE.

Unless otherwise provided by local laws, 3M fall protection products are warranted against factory defects in workmanship and materials for a period of one year from the date of installation or first use by the original owner.

**LIMITED REMEDY:** Upon written notice to 3M, 3M will repair or replace any product determined by 3M to have a factory defect in workmanship or materials. 3M reserves the right to require product be returned to its facility for evaluation of warranty claims. This warranty does not cover product damage due to wear, abuse, misuse, damage in transit, failure to maintain the product or other damage beyond 3M's control. 3M will be the sole judge of product condition and warranty options.

This warranty applies only to the original purchaser and is the only warranty applicable to 3M's fall protection products. Please contact 3M's customer service department in your region for assistance.

**LIMITATION OF LIABILITY:** TO THE EXTENT PERMITTED BY LOCAL LAWS, 3M IS NOT LIABLE FOR ANY INDIRECT, INCIDENTAL, SPECIAL OR CONSEQUENTIAL DAMAGES INCLUDING, BUT NOT LIMITED TO LOSS OF PROFITS, IN ANY WAY RELATED TO THE PRODUCTS REGARDLESS OF THE LEGAL THEORY ASSERTED.

**GARANTIE INTERNATIONALE DU PRODUIT, RECOURS LIMITÉ  
ET LIMITATION DE RESPONSABILITÉ**

**GARANTIE :** CE QUI SUIT REMPLACE TOUTES LES GARANTIES OU CONDITIONS, EXPRESSES OU IMPLICITES, Y COMPRIS LES GARANTIES OU LES CONDITIONS IMPLICITES RELATIVES À LA QUALITÉ MARCHANDE ET À L'ADAPTATION À UN USAGE PARTICULIER.

Sauf disposition contraire de la loi, les produits de protection antichute 3M sont garantis contre tout défaut de fabrication en usine et de matériaux pour une période d'un (1) an à compter de la date d'installation ou de la première utilisation par le propriétaire initial.

**RECOURS LIMITÉ :** Moyennant un avis écrit à 3M, 3M réparera ou remplacera tout produit présentant un défaut de fabrication en usine ou de matériaux, tel que déterminé par 3M. 3M se réserve le droit d'exiger le retour du produit dans ses installations afin d'évaluer la réclamation de garantie. Cette garantie ne couvre pas les dommages au produit résultant de l'usure, d'un abus ou d'une mauvaise utilisation, les dommages subis pendant l'expédition, le manque d'entretien du produit ou d'autres dommages en dehors du contrôle de 3M. 3M jugera seul de l'état du produit et des options de garantie.

Cette garantie s'applique uniquement à l'acheteur initial et est la seule garantie applicable aux produits de protection antichute de 3M. Veuillez communiquer avec le service à la clientèle de 3M de votre région pour obtenir de l'aide.

**LIMITATION DE RESPONSABILITÉ :** DANS LES LIMITES PRÉVUES PAR LES LOIS LOCALES, 3M NE SERA TENU POUR RESPONSABLE DE TOUT DOMMAGE INDIRECT, ACCESSOIRE, SPÉCIFIQUE OU CONSÉCUTIF INCLUANT, SANS S'Y LIMITER, LA PERTE DE PROFIT, LIÉS DE QUELQUE MANIÈRE AUX PRODUITS, QUELLE QUE SOIT LA THÉORIE LÉGALE INVOQUÉE.



## Fall Protection

### USA

3833 SALA Way  
Red Wing, MN 55066-5005  
Toll Free: 800.328.6146  
Phone: 651.388.8282  
Fax: 651.388.5065  
3Mfallprotection@mmm.com

### Brazil

Rodovia Anhanguera, km 110  
Sumaré - SP  
CEP: 13181-900  
Brasil  
Phone: 0800-013-2333  
falecoma3m@mmm.com

### Mexico

Av. Santa Fe No. 190  
Col. Santa Fe, Ciudad de Mexico  
CP 01219, Mexico  
Phone: 01 800 120 3636  
3msaludocupacional@mmm.com

### Canada

260 Export Boulevard  
Mississauga, ON L5S 1Y9  
Phone: 905.795.9333  
Toll-Free: 800.387.7484  
Fax: 888.387.7484  
3Mfallprotection-ca@mmm.com

### EMEA (Europe, Middle East, Africa)

*EMEA Headquarters:*  
Le Broc Center  
Z.I. 1re Avenue - BP15  
06511 Carros Le Broc Cedex  
France  
Phone: + 33 04 97 10 00 10  
Fax: + 33 04 93 08 79 70  
informationfallprotection@mmm.com

### Australia & New Zealand

137 McCredie Road  
Guildford  
Sydney, NSW, 2161  
Australia  
Toll-Free : 1800 245 002 (AUS)  
Toll-Free : 0800 212 505 (NZ)  
3msafetyaucs@mmm.com

### Asia

*Singapore:*  
1 Yishun Avenue 7  
Singapore 768923  
Phone: +65-6450 8888  
Fax: +65-6552 2113  
TotalFallProtection@mmm.com

### China:

38/F, Maxdo Center, 8 Xing Yi Rd  
Shanghai 200336, P R China  
Phone: +86 21 62753535  
Fax: +86 21 52906521  
3MFallProtection-CN@mmm.com

### Korea:

3M Korea Ltd  
20F, 82, Uisadang-daero,  
Yeongdeungpo-gu, Seoul  
Phone: +82-80-033-4114  
Fax: +82-2-3771-4271  
TotalFallProtection@mmm.com

### Japan:

3M Japan Ltd  
6-7-29, Kitashinagawa, Shinagawa-ku, Tokyo  
Phone: +81-570-011-321  
Fax: +81-3-6409-5818  
psd.jp@mmm.com

WEBSITE:  
[3M.com/FallProtection](http://3M.com/FallProtection)



EU DECLARATION OF CONFORMITY:  
[3M.com/FallProtection/DOC](http://3M.com/FallProtection/DOC)