



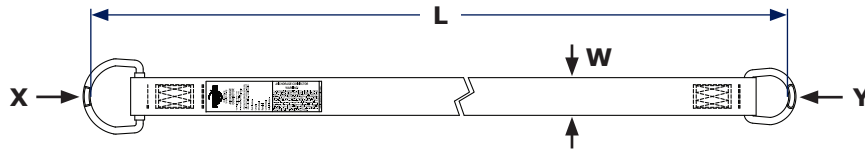
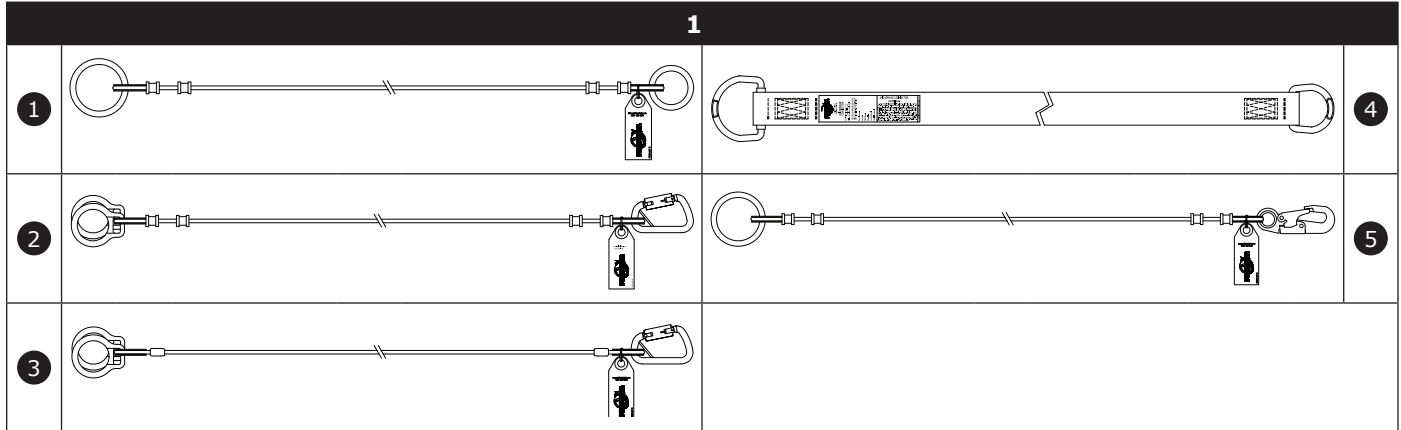
ANSI Z359.18  
Type A

OSHA 1926.502  
OSHA 1910.140

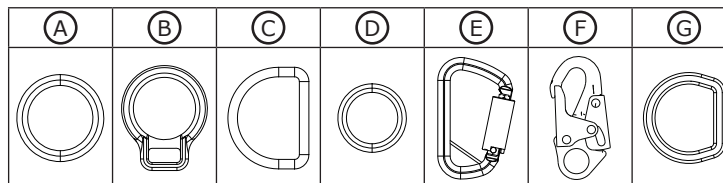
# TIE-OFF ADAPTER Anchorage Connector

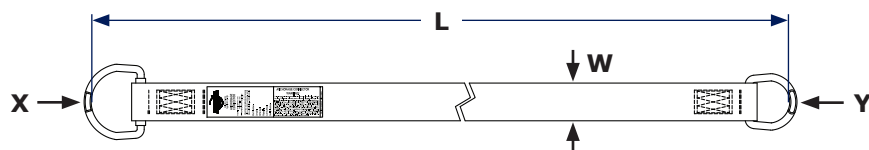
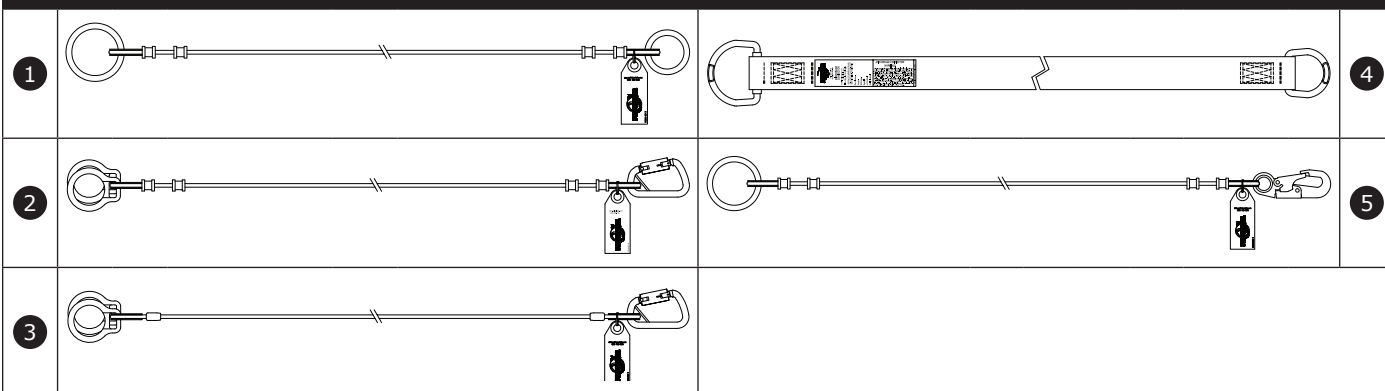
## USER INSTRUCTIONS 5902224 Rev. K

### Fall Protection

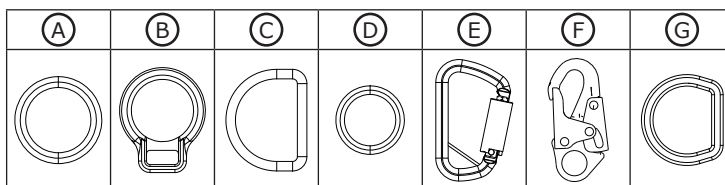


X			Model	L	W	Y				ANSI	OSHA
(A)	(B)	(C)				(D)	(E)	(F)	(G)		
1			2100192	①	4.0 ft. (1.22 m)	3/8 in (9.53 mm)	1			✓	✓
1			2100193	①	6.0 ft. (1.83 m)	3/8 in (9.53 mm)	1			✓	✓
	2		2190100	②	3.0 ft. (0.91 m)	1/4 in (6.35 mm)		1		✓	✓
	2		2190101	②	4.0 ft. (1.22 m)	1/4 in (6.35 mm)		1		✓	✓
	2		2190102	②	6.0 ft. (1.83 m)	1/4 in (6.35 mm)		1		✓	✓
	2		2190103	②	8.0 ft. (2.44 m)	1/4 in (6.35 mm)		1		✓	✓
	2		2190104	②	10.0 ft. (3.05 m)	1/4 in (6.35 mm)		1		✓	✓
	2		2190108	②	14.0 ft. (4.27 m)	1/4 in (6.35 mm)		1		✓	✓
	2		2190109	②	16.0 ft. (4.88 m)	1/4 in (6.35 mm)		1		✓	✓
	2		2190115	②	18.0 ft. (5.49 m)	1/4 in (6.35 mm)		1		✓	✓
	2		2190116	②	17.0 ft. (5.18 m)	1/4 in (6.35 mm)		1		✓	✓
	2		2190110C	③	3.0 ft. (0.91 m)	1/4 in (6.35 mm)		1			✓
	2		2190111C	③	4.0 ft. (1.22 m)	1/4 in (6.35 mm)		1			✓
	2		2190112C	③	6.0 ft. (1.83 m)	1/4 in (6.35 mm)		1			✓
	2		2190113C	③	8.0 ft. (2.44 m)	1/4 in (6.35 mm)		1			✓

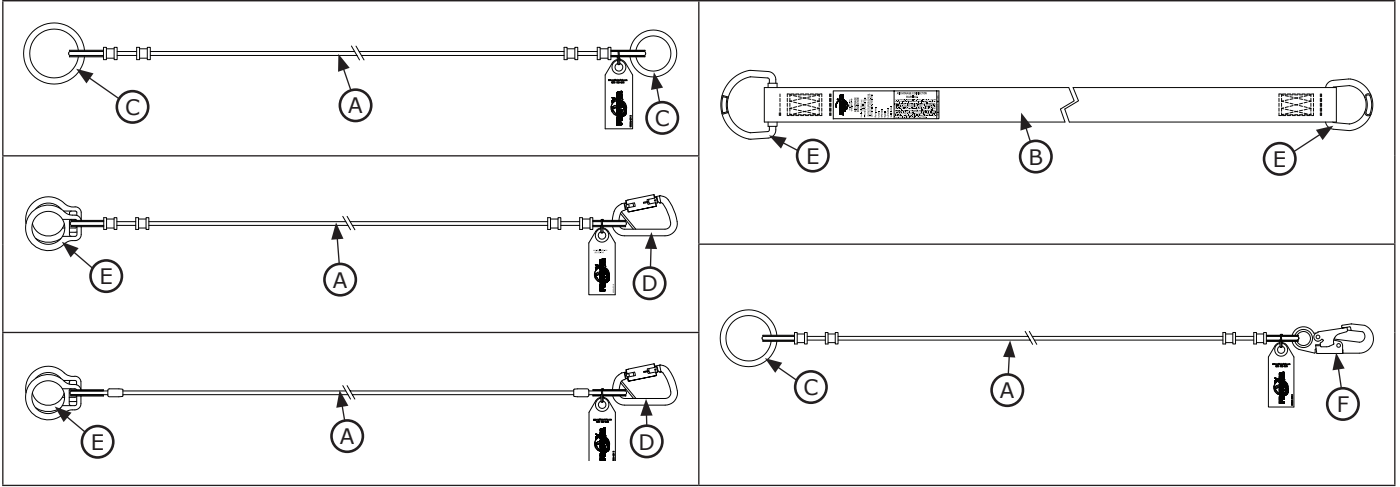




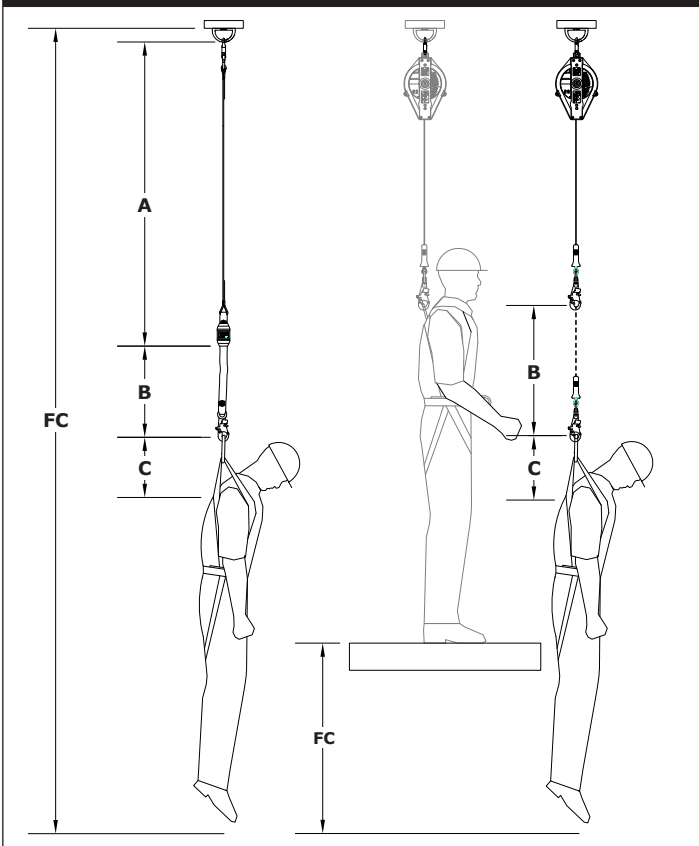
X			Model	L	W	Y				ANSI	OSHA
(A)	(B)	(C)				(D)	(E)	(F)	(G)		
	2		2190114C	3	10.0 ft. (3.05 m)	1/4 in (6.35 mm)		1			✓
		1	5900576	4	2.0 ft. (0.61 m)	2.0 in (5.1 cm)			1	✓	✓
		1	5900577	4	3.0 ft. (0.91 m)	2.0 in (5.1 cm)			1	✓	✓
		1	5900578	4	6.0 ft. (1.83 m)	2.0 in (5.1 cm)			1	✓	✓
		1	5900579	4	8.0 ft. (2.44 m)	2.0 in (5.1 cm)			1	✓	✓
		1	5900580	4	12.0 ft. (3.66 m)	2.0 in (5.1 cm)			1	✓	✓
		1	5900581	4	16.0 ft. (4.88 m)	2.0 in (5.1 cm)			1	✓	✓
		1	5900582	4	20.0 ft. (6.10 m)	2.0 in (5.1 cm)			1	✓	✓
1			2199942	5	25.0 ft. (7.62 m)	1/4 in (6.35 mm)			1	✓	✓
1			2199943	5	42.0 ft. (12.80 m)	1/4 in (6.35 mm)			1	✓	✓
1			2199952	5	3.5 ft. (1.07 m)	1/4 in (6.35 mm)			1	✓	✓
1			2199953	5	50.0 ft. (15.24 m)	1/4 in (6.35 mm)			1	✓	✓
1			2199954	5	100.0 ft. (30.48 m)	1/4 in (6.35 mm)			1	✓	✓
1			2199955	5	12.0 ft. (3.66 m)	1/4 in (6.35 mm)			1	✓	✓
1			2199962	5	5.0 ft. (1.52 m)	1/4 in (6.35 mm)			1	✓	✓
1			AJ408AG	5	6.0 ft. (1.83 m)	1/4 in (6.35 mm)			1	✓	✓
1			AJ408AG-2	5	2.0 ft. (0.61 m)	1/4 in (6.35 mm)			1	✓	✓
1			AJ408AG-3	5	3.0 ft. (0.91 m)	1/4 in (6.35 mm)			1	✓	✓
1			AJ408AG-4	5	4.0 ft. (1.22 m)	1/4 in (6.35 mm)			1	✓	✓
1			AJ408AG-8	5	8.0 ft. (2.44 m)	1/4 in (6.35 mm)			1	✓	✓
1			AJ408AG-10	5	10.0 ft. (3.05 m)	1/4 in (6.35 mm)			1	✓	✓
1			AJ408AG-14.5	5	14.5 ft. (4.42 m)	1/4 in (6.35 mm)			1	✓	✓



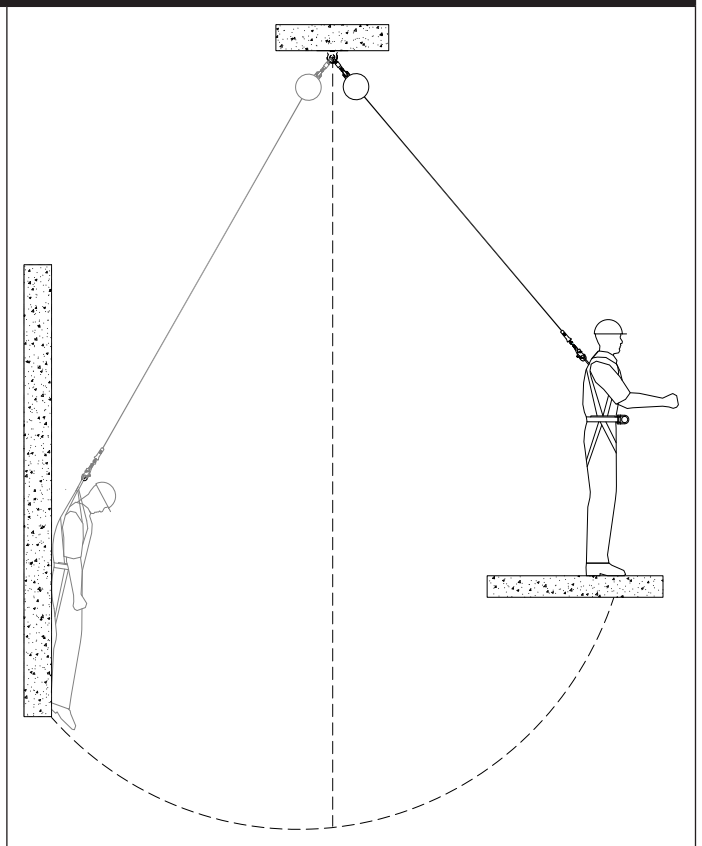
2



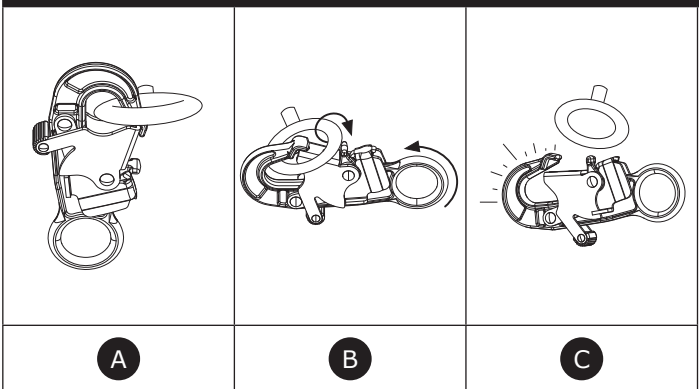
3



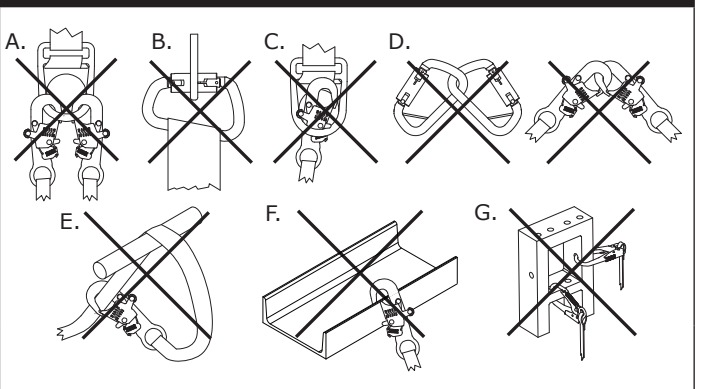
4

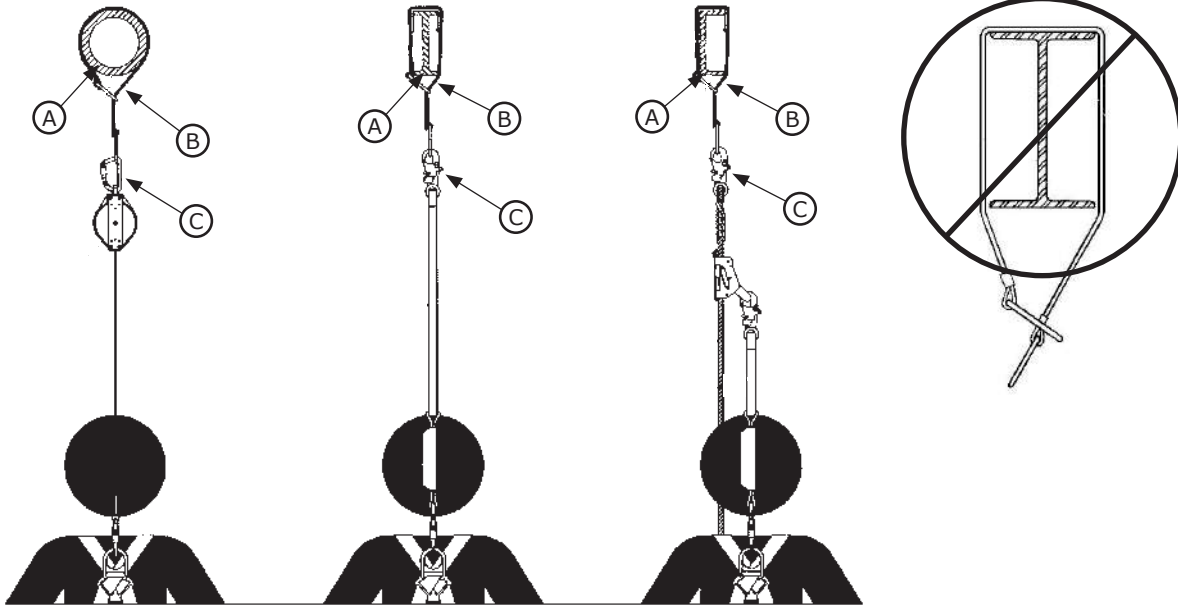


5

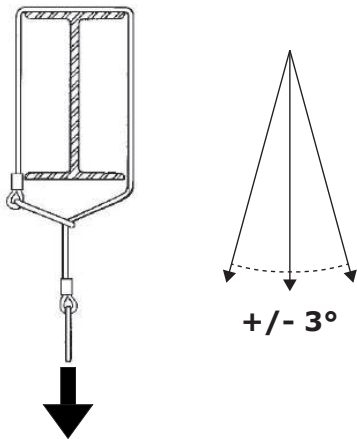


6

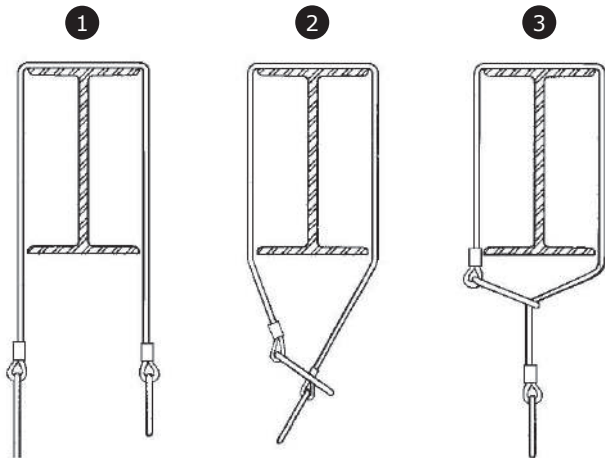




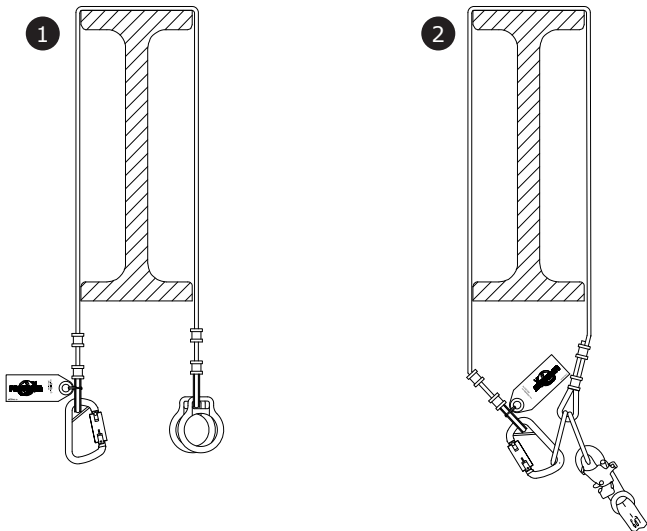
8



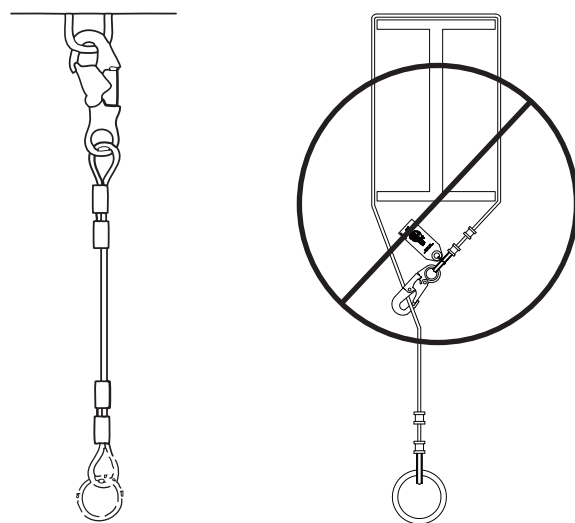
9

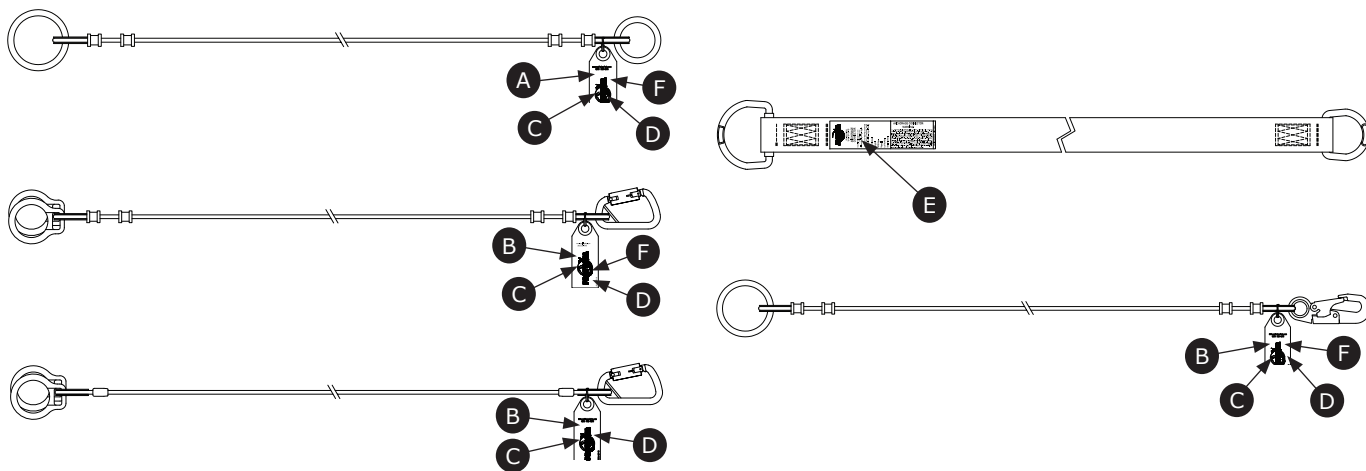


10



11





**1 ⚠ WARNING/AVERTISSEMENT!**

Manufacturer's instructions must be read and understood prior to use. Instructions supplied with this product at time of shipment must be followed. Failure to do so could result in serious injury or death. Make only compatible connections. Avoid lifeline contact with sharp or abrasive edges. Synthetic materials not flame or heat resistant. Inspect lifeline before each use. Do not use if an unsafe condition is found. Do not remove this label.

Les instructions du fabricant doivent être lues et comprises avant l'utilisation. Les instructions fournies avec ce produit lors de la livraison doivent être suivies. Ne pas s'y conformer pourrait être la cause de blessures graves ou fatales. N'utilisez que des raccords compatibles. Évitez le contact avec les arêtes abrasives. Fait de matériaux synthétiques non ignifugeants. Faites une inspection de la corde d'assurance avant chaque utilisation. Ne pas retirer cette étiquette.

**2 3M PROTECTA Fall Protection**

**3 3M.com/FallProtection**

5512004 Rev. H

**1 ⚠ WARNING / AVERTISSEMENT**

MANUFACTURER'S INSTRUCTIONS MUST BE READ AND UNDERSTOOD PRIOR TO USE. INSTRUCTIONS SUPPLIED WITH THIS PRODUCT AT TIME OF SHIPMENT MUST BE FOLLOWED. FAILURE TO DO SO COULD RESULT IN SERIOUS INJURY OR DEATH. THIS ANCHORAGE CONNECTOR IS INTENDED TO BE USED AS A PERSONAL FALL ARREST SYSTEM TO AN ANCHORAGE. INSPECT BEFORE EACH USE. IF WEAR OR DAMAGE EXISTS, DO NOT USE, AVOID CONTACT WITH SHARP AND ABRASIVE EDGES, ITEMS SUBJECT TO FALL ARREST OR IMPACT FORCES MUST BE IMMEDIATELY REMOVED FROM SERVICE AND DESTROYED. CONNECTING SNAP AND D-RING MUST BE COMPATIBLE IN SIZE, SHAPE, AND STRENGTH. LES INSTRUCTIONS DU FABRICANT DOIVENT ÊTRE LUES ET COMPRIS AVANT UTILISATION. LES INSTRUCTIONS FOURNIES AVEC CE PRODUIT AU MOMENT DE LA LIVRAISON DOIVENT ÊTRE RESPECTÉES. LE NON-RESPECT DE CES INSTRUCTIONS PEUT ENTRAINER DE GRAVES BLESSURES, MÊME LA MORT. CE CONNECTEUR D'ANCORAGE EST CONÇU POUR ÊTRE UTILISÉ EN CAS D'USURE OU DE DOMMAGES. NE PAS UTILISER CET ÉQUIPEMENT AVANT CONTACT AVEC DES ARÊTES TRANCHANTES OU ABRASIVES. LE ÉQUIPEMENT NE DOIT ÊTRE ENLEVÉ À DES FORCES D'ARRÊT OU À UN CHOC DOIT ÊTRE IMMÉDIATEMENT RETIRÉ DU SERVICE ET DÉTRUIT. LE NON-RESPECT ET LE DÉCLASSEMENT DOIVENT ÊTRE COMPATIBLES EN TERMES DE TAILLE, DE FORME ET DE RÉSISTANCE.

**2 3M PROTECTA Fall Protection**

**3 3M.com/FallProtection**

0 764 14958

**1 PRODUCT COMPLIANCE**

THIS PRODUCT COMPLIES WITH THE FOLLOWING STANDARDS ONLY IF MARKED WITH THE CORRESPONDING LETTER CODE UNDER "STD'S" SECTION BELOW:

B = OSHA 1910.140 & 1926.502 D = ASTM F887 E = ANSI Z359.3 F = ANSI Z359.4 G = ANSI Z359.18 TYPE A H =

MFRD(YR/MO): **2** LOT: **3** MODEL NO.: **4** MTRL.: **5** LENGTH(FT): **6** STD'S: **7**

MATERIAL DESIGNATION: **8** (IDENTIFIED AFTER MODEL NO.)

P=POLYESTER - N=NYLON

C=CABLE - W=CHAIN

K=ARAMID - B=BLEND

ANSI CAPACITY: 130-310 LBS (59-140kg) **10**

LENGTH (FT.) IS DENOTED BY NUMBER AFTER MATERIAL DESIGNATION

PRODUCTS MARKED TO ANSI Z359.18 TYPE A:

- MINIMUM BREAKING STRENGTH: 5,000 LBS
- MINIMUM SERVICE TEMP: -40°F (-40°C) **11**

DO NOT REMOVE THIS LABEL

**D**

SERIAL NO. / N° DE SÉRIE  
XXXXXX **1**

INSPECTION LOG /  
RELEVÉ D'INSPECTION

DATE

INITIAL, INITIALS **2**

DO NOT REMOVE THIS LABEL  
NE PAS ENLEVER CETTE ÉTIQUETTE **3**

5512004 Rev. H

**E**

3M  
3M Company  
USA (800) 328-4148  
Canada (800) 387-4644

**ANCHORAGE CONNECTOR**

Capacity: 425 lbs (193kg) (use) **3**  
Minimum Breaking Strength: 5000 lbs  
ANSI MIN. SERVICE TEMP: -40°F (-40°C) **4**

CONSTRUCTED FROM POLYESTER WEB  
MEETS OSHA 1910.140 & 1926.502 AND ANSI  
Z359.18 TYPE A REQUIREMENTS **5**

Part Number: **5**  
MFG Date:  
Material:  
Lot Number:  
Serial Number:

**ANCHORAGE CONNECTOR**

**6 WARNING!**

You must read and understand all instructions supplied with this product at the time of shipment. Failure to do so could result in death or injury. This product is designed to be used as an anchor point for fall arrest or work positioning. Max. use weight when using this product should not exceed 310 lbs, unless being used as part of an engineered system. Unless indicated this product is not flame or heat resistant. Inspect this product prior to use for damage. This product must be removed from service if exposed to a fall arrest or damaged. This product is made from synthetic material with alloy steel hardware. Contact with compatible hardware only to prevent possible disconnection. Contact with sharp or abrasive edges should be avoided. If you need further instruction or information contact Protecta.

DO NOT REMOVE THIS LABEL

**F**

851406 Rev. B

**1 Anchorage Connector**  
Meets ANSI Z359.18 Type A  
Min. Breaking Strength: 5000 lbs. (22kN)  
Min. Service Temperature: -40°F (-40°C)  
ANSI Capacity: 310 lbs. (141 kg)

## SAFETY INFORMATION

Please read, understand, and follow all safety information contained in these instructions prior to the use of this Anchorage Connector. **FAILURE TO DO SO COULD RESULT IN SERIOUS INJURY OR DEATH.**

These instructions must be provided to the user of this equipment. Retain these instructions for future reference.

### Intended Use:

This Anchorage Connector is intended for use as part of a complete personal fall protection system.

Use in any other application including, but not limited to, material handling, recreational or sports related activities, or other activities not described in the User Instructions, is not approved by 3M and could result in serious injury or death.

This device is only to be used by trained users in workplace applications.

### WARNING

This Anchorage Connector is part of a personal fall protection system. It is expected that all users be fully trained in the safe installation and operation of their personal fall protection system. **Misuse of this device could result in serious injury or death.** For proper selection, operation, installation, maintenance, and service, refer to these User Instructions and all manufacturer recommendations, see your supervisor, or contact 3M Technical Service.

- **To reduce the risks associated with working with an Anchorage Connector which, if not avoided, could result in serious injury or death:**
  - Inspect the device before each use, at least annually, and after any fall event. Inspect in accordance with the User Instructions.
  - If inspection reveals an unsafe or defective condition, remove the device from service and repair or replace according to the User Instructions.
  - Any device that has been subject to fall arrest or impact force must be immediately removed from service and destroyed.
  - The device must only be installed in the specified substrates or on structures detailed in the User Instructions. Installations and use outside the scope of this instruction must be approved by 3M Fall Protection.
  - The substrate or structure to which the anchorage connector is attached must be able to sustain the static loads specified for the anchor in the orientations permitted in the User Instructions.
  - Only connect other fall protection subsystems to the designated anchorage connection point on the device.
  - Prior to drilling or fastening, ensure no electric lines, gas lines, or other critical embedded systems will be contacted by the drill or the device.
  - Ensure that fall protection systems/subsystems assembled from components made by different manufacturers are compatible and meet the requirements of applicable standards, including the ANSI Z359 or other applicable fall protection codes, standards, or requirements. Always consult a Competent or Qualified Person before using these systems.
  - (TIE-OFF ADAPTERS) Ensure the tie-off adapter device is tight against the anchoring structure. Never leave slack in the tie-off adapter device.
- **To reduce the risks associated with working at height which, if not avoided, could result in serious injury or death:**
  - Ensure your health and physical condition allow you to safely withstand all of the forces associated with working at height. Consult with your doctor if you have any questions regarding your ability to use this equipment.
  - Never exceed allowable capacity of your fall protection equipment.
  - Never exceed maximum free fall distance of your fall protection equipment.
  - Do not use any fall protection equipment that fails pre-use or other scheduled inspections, or if you have concerns about the use or suitability of the equipment for your application. Contact 3M Technical Services with any questions.
  - Some subsystem and component combinations may interfere with the operation of this equipment. Only use compatible connections. Consult 3M prior to using this equipment in combination with components or subsystems other than those described in the User Instructions.
  - Use extra precautions when working around moving machinery (e.g. top drive of oil rigs) electrical hazards, extreme temperatures, chemical hazards, explosive or toxic gases, sharp edges, or below overhead materials that could fall onto you or your fall protection equipment.
  - Use Arc Flash or Hot Works devices when working in high heat environments.
  - Avoid surfaces and objects that can damage the user or equipment.
  - Ensure there is adequate fall clearance when working at height.
  - Never modify or alter your fall protection equipment. Only 3M or parties authorized in writing by 3M may make repairs to the equipment.
  - Prior to use of fall protection equipment, ensure a rescue plan is in place which allows for prompt rescue if a fall incident occurs.
  - If a fall incident occurs, immediately seek medical attention for the worker who has fallen.
  - Do not use a body belt for fall arrest applications. Use only a Full Body Harness.
  - Minimize swing falls by working as directly below the anchorage point as possible.
  - If training with this device, a secondary fall protection system must be utilized in a manner that does not expose the trainee to an unintended fall hazard.
  - Always wear appropriate personal protective equipment when installing, using, or inspecting the device/system.

Prior to installation and use of this equipment, record the product identification information from the ID label in the Inspection and Maintenance Log (Table 2) at the back of this manual.

Always ensure that you are using the latest revision of your 3M instruction manual. Visit the 3M website or contact 3M Technical Services for updated instruction manuals.

**PRODUCT DESCRIPTION:**

Figure 1 illustrates the 3M™ Protecta® Tie-Off Adapters and Anchorage Extender.

Type 1 is a cable Tie-Off Adapter. Type 2 is a twin-ring cable Tie-Off Adapter. Type 3 is a twin-ring cable Tie-Off Adapter that contains a flemish eye splice. Type 4 is a web Tie-Off Adapter. Type 1, 2, 3, and 4 are all types of single point Tie-Off Adapters that are designed to be secured around a structural beam or support. Tie-Off Adapters may be used as anchorage connectors for a horizontal lifeline if the system is designed, installed, and used under the supervision of a Qualified Person.

Type 5 is an Anchorage Extender and is only to be used to attach onto an existing anchorage connection point. Type 5 is not designed to wrap around a structure.

Figure 2 illustrates components of the Tie-Off Adapters and the Anchorage Extender. See Table 1 for Component Specifications and Connector Specifications. The Tie-Off Adapters and Anchorage Extender are comprised of either a Cable Lifeline (A) or a Web Lifeline (B). The Tie-Off Adapter is secured about a structural beam or support with the action of its end connectors. End connector options include Snap Hooks (F), O-Ring Connectors (C), Carabiners (D), and D-Rings (E).

**Table 1 – Specifications**

<b>System Specifications:</b>	
<b>Capacity:</b>	One person with a combined weight (clothing, tools, etc.) of no more than 310 lb. (140 kg).
<b>Anchorage:</b>	Anchorage strength must comply with Section 2.1 requirements. <input checked="" type="checkbox"/> If the user is unable to determine whether the anchorage meets these requirements, then the user should either seek a Qualified Person or professional engineer who is able to do so or contact 3M Technical Services.
<b>Service Temperature:</b>	-40°F (-40°C) Minimum Service Temperature
<b>Breaking Strength:</b>	5,000 lbf (22.2 kN) Minimum Breaking Strength
<b>Dimensions:</b>	See Figure 1 for the dimensions of each Tie-Off Adapter model.
<b>Standards:</b>	See the front cover of these instructions for applicable standards. Models certified to ANSI Z359.18-2017 have also been tested in compliance with the requirements of ANSI Z359.7. <input checked="" type="checkbox"/> ANSI compliance and testing covers only the product and does not extend to the anchorage structure or substrate to which the product is attached.

**Component Specifications:**

<b>Figure 2 Reference</b>	<b>Component</b>	<b>Materials</b>
(A)	Cable Lifeline	Galvanized wire
(B)	Web Lifeline	Polyester webbing
(C)	O-Ring Connector	(see "Connector Specifications" below)
(D)	Carabiner	(see "Connector Specifications" below)
(E)	D-Ring	(see "Connector Specifications" below)
(F)	Snap Hook	(see "Connector Specifications" below)

**Connector Specifications:**

<b>Figure 1 Reference</b>	<b>Description</b>	<b>Material</b>	<b>Gate Opening</b>	<b>Gate Strength</b>
(A)	O-Ring Connector	Alloy steel	---	---
(B)	D-Ring	Alloy steel	---	---
(C)	D-Ring	Alloy steel	---	---
(D)	O-Ring Connector	Alloy steel	---	---
(E)	Carabiner	Alloy steel	11/16 in. (17 mm)	3,600 lbf (16 kN)
(F)	Snap Hook	Zinc plated steel	3/4 in. (19 mm)	3,600 lbf (16 kN)
(G)	D-Ring	Alloy steel	---	---

**Tensile Strength:** The tensile strength of each of the connectors listed above is 5,000 lbf (22.2 kN).

## 1.0 PRODUCT APPLICATION

- 1.1 PURPOSE:** Anchorage Connectors are designed to provide anchorage connection points for Fall Arrest<sup>1</sup>, Fall Restraint<sup>2</sup>, Work Positioning<sup>3</sup>, or Rescue<sup>4</sup> systems.

**Fall Protection Only:** This Anchorage Connector is for connection of Fall Protection equipment. Do not connect Lifting Equipment to the Anchorage Connector.

- 1.2 STANDARDS:** Your Anchorage Connector conforms to the national or regional standard(s) identified on the front cover of these instructions. If this product is resold outside the original country of destination, the re-seller must provide these instructions in the language of the country in which the product will be used.
- 1.3 SUPERVISION:** Use of this equipment must be supervised by a Competent Person<sup>5</sup>.
- 1.4 TRAINING:** This equipment must be installed and used by persons trained in its correct application. This manual is to be used as part of an employee training program as required by national, regional, or local standards. It is the responsibility of the users and installers of this equipment to ensure they are familiar with these instructions, trained in the correct care and use of this equipment, and are aware of the operating characteristics, application limitations, and consequences of improper use of this equipment.
- 1.5 RESCUE PLAN:** When using this equipment and connecting subsystem(s), the employer must have a rescue plan and the means at hand to implement and communicate that plan to users<sup>6</sup>, authorized persons<sup>7</sup>, and rescuers<sup>8</sup>. A trained, on-site rescue team is recommended. Team members should be provided with the equipment and techniques to perform a successful rescue. Training should be provided on a periodic basis to ensure rescuer proficiency.
- 1.6 AFTER A FALL:** If the product is subjected to fall arrest or impact force, remove the product from service immediately. Clearly tag the product "DO NOT USE". See Section 5 for more information.

## 2.0 SYSTEM REQUIREMENTS

- 2.1 ANCHORAGE:** Anchorage structure requirements vary with the system application and whether it is a certified anchorage<sup>9</sup> or non-certified anchorage<sup>10</sup>. The structure to which a Fall Arrest, Restraint, Work Positioning, or Rescue system is attached must sustain static loads applied in the directions permitted as shown in the following table. Anchorage strength requirements, along with system applications, are specified below, unless noted or defined otherwise in Table 1:

Fall Protection System	Certified Anchorage <sup>9</sup>	Non-Certified Anchorage <sup>10</sup>	Defined by
Fall Arrest	2 times maximum arresting force	5,000 lbf (22.2 kN)	OSHA, ANSI
Restraint/Travel Restraint	2 times foreseeable force	1,000 lbf (4.4 kN) per ANSI 5,000 lbf (22.2 kN) per OSHA	OSHA, ANSI
Work Positioning	2 times foreseeable force	3,000 lbf (13.3 kN)	OSHA, ANSI
Rescue	5 times applied load	3,000 lbf (13.3 kN)	ANSI

When more than one system is attached to an anchorage, the strengths stated above must be multiplied by the number of systems attached to the anchorage. See ANSI Z359.2 for more information.

- 2.2 PERSONAL FALL ARREST SYSTEM:** Figure 1 illustrates the application of this Anchorage Connector. Personal Fall Arrest Systems (PFAS) used with the system must meet applicable Fall Protection standards, codes, and requirements. The PFAS must incorporate a Full Body Harness and limit Arresting Force to the following values:

	Maximum Arresting Force	Free Fall
PFAS with Shock Absorbing Lanyard	1800 lbf (8 kN)	Refer to the instruction(s) included with your Lanyard or SRD for Free Fall limitations.
PFAS with Self Retracting Device (SRD)	1800 lbf (8 kN)	

- 2.3 FALL PATH AND SRD LOCKING SPEED:** A clear path is required to assure positive locking of an SRD. Situations which do not allow for an unobstructed fall path should be avoided. Working in confined or cramped spaces may not allow the body to reach sufficient speed to cause the SRD to lock if a fall occurs. Working on slowly shifting material, such as sand or grain, may not allow enough speed buildup to cause the SRD to lock.

- 1 Fall Arrest System:** A collection of Fall Protection Equipment configured to arrest a free fall. Protects the user in the event of a fall. Free fall is permitted up to the limits allowed by the connecting device (either an Energy Absorbing Lanyard or Self-Retracting Device (SRD)).
- 2 Restraint System:** A collection of Fall Protection Equipment configured to prevent the person's center of gravity from reaching a fall hazard. Prevents the user from reaching a hazard. No vertical free fall is permitted.
- 3 Work Positioning System:** A collection of Fall Protection Equipment configured to support a user at a work position. Must include a back-up personal fall arrest system. Maximum permissible free fall is 2 feet.
- 4 Rescue System:** A collection of Fall Protection Equipment configured to remove a person from danger, harm, or confinement to a safe location. No vertical free fall is permitted.
- 5 Competent Person:** One who is capable of identifying existing and predictable hazards in the surroundings or working conditions which are unsanitary, hazardous, or dangerous to employees, and who has authorization to take prompt corrective measures to eliminate them.
- 6 User:** A person who performs activities while protected by a Fall Protection system.
- 7 Authorized Person:** A person assigned by the employer to perform duties at a location where the person will be exposed to a fall hazard.
- 8 Rescuer:** Person or persons other than the rescue subject acting to perform an assisted rescue by operation of a rescue system.
- 9 Certified Anchorage:** An anchorage for fall arrest, positioning, restraint, or rescue systems that a Qualified Person certifies to be capable of meeting the criteria for a certified anchorage according to Section 2.1.
- 10 Non-Certified Anchorage:** A fall arrest anchorage that a Competent Person can judge to be capable of supporting the predetermined anchorage forces listed in Section 2.1.



- 2.4 HAZARDS:** Use of this equipment in areas with environmental hazards may require additional precautions to prevent injury to the user or damage to the equipment. Hazards may include, but are not limited to: heat, chemicals, corrosive environments, high voltage power lines, explosive or toxic gases, moving machinery, sharp edges, or overhead materials that may fall and contact the user or Personal Fall Arrest System.
- 2.5 FALL CLEARANCE:** Figure 3 illustrates the components of a Fall Arrest. There must be sufficient Fall Clearance (FC) to arrest a fall before the user strikes the ground or other obstruction. Clearance is affected by a number of factors including: Anchorage Location, (A) Lanyard Length, (B) Lanyard Deceleration Distance or SRD Maximum Arrest Distance, (C) Harness Stretch and D-Ring/Connector Length and Settling. Refer to the instructions included with your Fall Arrest subsystem for specifics regarding Fall Clearance calculation.
- 2.6 SWING FALLS:** Swing Falls occur when the anchorage point is not directly above the point where a fall occurs (see Figure 4). The force of striking an object in a swing fall may cause serious injury or death. Minimize swing falls by working as directly below the anchorage point as possible. Do not permit a swing fall if injury could occur. Swing falls will significantly increase the clearance required when a Self-Retracting Device or other variable length connecting subsystem is used.
- 2.7 COMPONENT COMPATIBILITY:** 3M equipment is designed for use with 3M approved components and subsystems only. Substitutions or replacements made with non-approved components or subsystems may jeopardize compatibility of equipment and may affect the safety and reliability of the complete system.
- 2.8 CONNECTOR COMPATIBILITY:** Connectors are considered to be compatible with connecting elements when they have been designed to work together in such a way that their sizes and shapes do not cause their gate mechanisms to inadvertently open regardless of how they become oriented. Contact 3M if you have any questions about compatibility. Connectors (hooks, carabiners, and D-rings) must be capable of supporting at least 5,000 lbf (22.2 kN). Connectors must be compatible with the anchorage or other system components. Do not use equipment that is not compatible. Non-compatible connectors may unintentionally disengage (see Figure 5). Connectors must be compatible in size, shape, and strength. If the connecting element to which a snap hook or carabiner attaches is undersized or irregular in shape, a situation could occur where the connecting element applies a force to the gate of the snap hook or carabiner (A). This force may cause the gate to open (B), allowing the snap hook or carabiner to disengage from the connecting point (C).

Self-locking snap hooks and carabiners are required by ANSI Z359 and OSHA.

- 2.9 MAKING CONNECTIONS:** Snap hooks and carabiners used with this equipment must be self-locking. Ensure all connections are compatible in size, shape and strength. Do not use equipment that is not compatible. Ensure all connectors are fully closed and locked.
- 3M connectors (snap hooks and carabiners) are designed to be used only as specified in each product's user's instructions. See Figure 6 for examples of inappropriate connections. Do not connect snap hooks and carabiners:
- A. To a D-ring to which another connector is attached.
  - B. In a manner that would result in a load on the gate. Large throat snap hooks should not be connected to standard size D-rings or similar objects which will result in a load on the gate if the hook or D-ring twists or rotates, unless the snap hook complies is equipped with a 3,600 lbf (16 kN) gate. Check the marking on your snap hook to verify that it is appropriate for your application.
  - C. In a false engagement, where features that protrude from the snap hook or carabiner catch on the anchor, and without visual confirmation seems to be fully engaged to the anchor point.
  - D. To each other.
  - E. Directly to webbing or rope lanyard or tie-back (unless the manufacturer's instructions for both the lanyard and connector specifically allows such a connection).
  - F. To any object which is shaped or dimensioned such that the snap hook or carabiner will not close and lock, or that roll-out could occur.
  - G. In a manner that does not allow the connector to align properly while under load.

### 3.0 INSTALLATION

*The owner of this equipment may contact 3M Technical Services with any questions regarding equipment installation, use, or inspection.*

*Installation of non-certified anchor points must be performed or supervised by a Competent Person<sup>1</sup>. Installation of certified anchor points must be designed, certified, and supervised by a Qualified Person<sup>2</sup>.*

**3.1 PLANNING:** Plan your Fall Protection system before starting your work. Account for all factors that may affect your safety before, during, and after a fall. Consider all requirements and limitations defined in this manual.

*Always use a Tie-Off Adapter that is of the appropriate length for your system application. Use of a Tie-Off Adapter that is too short will not let the Tie-Off Adapter fully wrap around the structure. Use of a Tie-Off Adapter that is too long will create additional free fall for the Fall Protection system.*

*3M shall make available upon request information that is necessary for the design and planning of systems.*

**3.2 DIRECTION OF LOADING:** The Tie-Off Adapter and Anchorage Extender must always be loaded as directly below the anchorage point as possible. See Figure 8 for reference. The Tie-Off Adapter and Anchorage Extender must sustain static loads meeting the requirements of Section 2.1, within plus-or-minus 3° (degrees) from vertical.

**3.3 INSTALLING THE TIE-OFF ADAPTER:** Tie-Off Adapters may be installed on structural beams and supports meeting the requirements specified in Table 1 and Section 2. See Figure 1 for the maximum length of each Tie-Off Adapter model. To install the Tie-Off Adapter, refer to the following methods:

*Tie-Off Adapters may only be installed on horizontal anchorage structures. Do not install on a vertical or angled anchorage structure because this may cause the Tie-Off Adapter to slide or shift during a fall event.*

*Avoid installing the Tie-Off Adapter around structures that have sharp edges or abrasive surfaces. Where contact with a sharp edge or abrasive surface is unavoidable, cover the edge with protective material and increase the frequency of inspection for the anchor.*

**TIE-OFF:** This installation method applies to the Type 1 and Type 4 models listed in Figure 1. See Figure 9 for an installation reference. To install the Tie-Off Adapter:

1. Place the Tie-Off Adapter over the selected anchorage. The end connectors of the Tie-Off Adapter must hang below the anchorage as shown.
2. Pass the smaller end connector through the larger end connector. Slide the large end connector up to the anchorage, over the lifeline attached to the small end connector.
3. Pull the small end connector down to tighten the Tie-Off Adapter around the anchorage. The Tie-Off Adapter should be tightly wrapped around the anchorage with the small end connector hanging free. If there is too much slack, you may shorten the distance by wrapping the Tie-Off Adapter around the anchorage several times. Pass the small end connector through the large end connector on each pass. When installation is complete, any connections to the Tie-Off Adapter must be made to the small end connector.

**TWIN-RING:** This installation method applies to the Type 2 and Type 3 models listed in Figure 1. See Figure 10 for an installation reference. To install the Tie-Off Adapter:

1. Place the Tie-Off Adapter over the selected anchorage. The end connectors of the Tie-Off Adapter must hang below the anchorage as shown.
2. Bring both ends of the Tie-Off Adapter together and connect the carabiner to one of the two D-Rings. Ensure the carabiner is completely closed and locked. When installation is complete, any connections to the Tie-Off Adapter must be made to the free D-Ring.

**ANCHORAGE EXTENSION:** This installation method applies to the Type 5 models listed in Figure 1. See Figure 11 for an installation reference. To install the Anchorage Extender:

1. The anchorage extension may be used to extend an anchorage by connecting the snap hook to an existing anchorage connector and allowing the anchorage extension to hang straight down. Ensure the snap hook is completely closed and locked. When installation is complete, any connections to the Anchorage Extender must be made to the bottom O-Ring connector.

*The Anchorage Extender must be installed so it is hanging straight down. It should not be installed in a manner that would create any additional free fall during a fall event. Do not wrap the Anchorage Extender around the structure.*

### 4.0 USE

**4.1 BEFORE EACH USE:** Verify that your work area and Fall Protection system meet all criteria defined in these instructions. Verify that a formal Rescue Plan is in place. Inspect the product per the 'User' inspection points defined in the "Inspection and Maintenance Log". If inspection reveals an unsafe or defective condition, or if there is any doubt about its condition for safe use, remove the product from service immediately. Clearly tag the product "DO NOT USE". See Section 5 for more information.

**4.2 FALL ARREST CONNECTIONS:** The Tie-Off Adapter is used with a Full Body Harness and Energy Absorbing Lanyard or Self-Retracting Device (SRD). Figure 7 illustrates connection of the Energy Absorbing Lanyard or SRD between the Harness and Tie-Off Adapter. Wrap the Tie-Off Adapter (B) around the Anchorage (A), and then secure your connecting subsystem's Connector (C) to the connection point on the Tie-Off Adapter. Connect the Energy-Absorbing Lanyard or SRD to the dorsal D-Ring of your Harness as described in the user instructions for your Energy Absorbing Lanyard or SRD. Only one fall protection system may be attached to an individual connection point at any time.

Do not leave any slack in the Tie-Off Adapter during use. The Tie-Off Adapter must be wrapping tightly around the Anchorage during use.

**4.3 HORIZONTAL SYSTEMS:** Select Anchorage Connectors can be used as end anchor points for horizontal systems. Anchorages for horizontal systems must be designed and certified by a Qualified Person with experience and training in designing and using horizontal lifeline systems. Non-certified anchorages shall not be used for horizontal lifelines. Only use an anchorage connector that meets the load, moment, and directional requirements for that specified horizontal system. Non-Fixed, Sliding, or Counterweight Anchorage Connectors should not be used with a horizontal system. Refer to the instruction manual and installation manual supplied with your horizontal lifeline system for more information on anchorage and anchorage connector requirements.

**5.0 INSPECTION**

After product has been removed from service, it may not be returned to service until a Competent Person confirms in writing that it is acceptable to do so.

**5.1 INSPECTION FREQUENCY:** The product shall be inspected before each use by an authorized person and, additionally, by a Competent Person other than the user at intervals of no longer than one year. A higher frequency of equipment use and harsher conditions may require increasing the frequency of Competent Person inspections. The frequency of these inspections should be determined by the Competent Person per the specific conditions of the worksite.

**5.2 INSPECTION PROCEDURES:** Inspect this product per the procedures listed in the "Inspection and Maintenance Log". Documentation of each inspection should be maintained by the owner of this equipment. An inspection and maintenance log should be placed near the product or be otherwise easily accessible to users. It is recommended that the product is marked with the date of next or last inspection.

Alternative inspection criteria may be set by the owner of this equipment. Alternative criteria must be equal to or exceed those established by 3M in the "Inspection and Maintenance Log" and other official documents.

**5.3 DEFECTS:** If the product cannot be returned to service because of an existing defect or unsafe condition, or because it has been subjected to a fall arrest, either destroy the product or contact 3M regarding possible replacement or repair.

**5.4 PRODUCT LIFE:** The functional life of the product is determined by work conditions and maintenance. As long as the product passes inspection criteria, it may remain in service.

**6.0 MAINTENANCE, SERVICE, and STORAGE**

Equipment that is in need of maintenance or scheduled for maintenance should be tagged "DO NOT USE". These equipment tags should not be removed until maintenance is performed.

**6.1 CLEANING:** Cleaning procedures for the Tie-Off Adapter are as follows:

- Periodically clean the metal components of the Tie-Off Adapter using water and a mild soap solution. Position the Tie-Off Adapter so excess water can drain out. Clean labels as required.
- If applicable, clean the web lifeline with water and a mild soap solution. Rinse and thoroughly air dry. Do not force dry with heat. An excessive buildup of dirt, paint, etc. may prevent the system from working properly, and in severe cases, weaken the lifeline.

**6.2 SERVICE:** Only 3M or parties authorized in writing by 3M may make repairs to this equipment.

**6.3 STORAGE AND TRANSPORT:** When not in use, store and transport the Tie-Off Adapter and associated fall protection equipment in a cool, dry, clean environment out of direct sunlight. Avoid areas where chemical vapors may exist. Thoroughly inspect components after extended storage.

**7.0 LABELS and MARKINGS**

**7.1 LABELS:** Figure 12 illustrates the labels present on each Tie-Off Adapter model. Labels must be replaced if they are not present or are not fully legible. Information provided on each label is as follows:

<b>A</b>	1) Warning Statement - Read all instructions. 2) Company Logo 3) Company Website
<b>B</b>	1) Warning Statement - Read all instructions. 2) Company Logo 3) Company Website

C	<ol style="list-style-type: none"> <li>1) Product Compliance</li> <li>2) Manufactured (Year/Month)</li> <li>3) Lot Number</li> <li>4) Model Number</li> <li>5) Material</li> <li>6) Length (ft.)</li> <li>7) Applicable Standards</li> <li>8) Material Designation</li> <li>9) Length (ft.) is denoted by number after Material designation.</li> <li>10) ANSI Capacity 130 lb. - 310 lb. (59 kg - 140 kg)</li> <li>11) ANSI Z359.18 Type A Product Specifications</li> </ol>
D	<ol style="list-style-type: none"> <li>1) Serial Number</li> <li>2) Inspection Log</li> <li>3) Do not remove this label.</li> </ol>
E	<ol style="list-style-type: none"> <li>1) Company Logo</li> <li>2) Company Contact Information and Website</li> <li>3) OSHA and ANSI Specifications</li> <li>4) Product Material and Applicable Standards</li> <li>5) In order: Part Number, Product Length, Manufactured Date, Material Designation, Lot Number, Serial Number</li> <li>6) Warning Statement - Read all instructions.</li> </ol>
F	<ol style="list-style-type: none"> <li>1) ANSI Z359.18 Type A Product Specifications</li> </ol>



## INFORMATION DE SÉCURITÉ

**Veillez lire, comprendre et suivre toutes les informations de sécurité contenues dans ces instructions avant d'utiliser ce connecteur d'ancrage. LE NON-RESPECT DE CES INSTRUCTIONS PEUT ENTRAÎNER DES BLESSURES GRAVES, VOIRE LA MORT.**

**Ces instructions doivent être transmises à l'utilisateur de cet équipement. Veillez conserver ces instructions pour une utilisation ultérieure.**

### Utilisation prévue :

Ce connecteur d'ancrage est prévu pour être utilisé comme partie intégrante d'un système de protection antichute personnel complet.

L'utilisation dans le cadre d'autres applications comme, sans en exclure d'autres, des activités récréatives ou liées au sport, ou d'autres activités non décrites dans les instructions destinées à l'utilisateur, n'est pas approuvée par 3M et peut entraîner des blessures graves voire la mort.

Ce dispositif doit être utilisé uniquement par des usagers formés sur les applications du lieu de travail.

## AVERTISSEMENT

Ce connecteur d'ancrage fait partie intégrante d'un système de protection antichute personnel complet. Il est attendu que tous les usagers sont entièrement formés sur l'installation sécuritaire et le fonctionnement de leur système de protection antichute personnel. **Une mauvaise utilisation de ce dispositif peut entraîner des blessures graves, voire la mort.** Pour s'assurer d'un choix, d'un fonctionnement, d'une installation, de travaux d'entretien et de réparation appropriés, reportez-vous à ces instructions de l'utilisateur ainsi qu'à toutes les recommandations du fabricant, consultez votre superviseur ou communiquez avec les services techniques de 3M.

- **Pour réduire les risques associés au travail en hauteur avec un connecteur d'ancrage qui, s'ils ne sont pas évités, pourraient entraîner de graves blessures, voire la mort :**
  - Inspectez le dispositif avant chaque utilisation, au moins annuellement, et après chaque cas de chute. Réalisez l'inspection conformément aux instructions de l'utilisateur.
  - Si l'inspection révèle l'existence d'une défektivité ou d'un problème affectant la sécurité, mettez l'équipement hors service et faites-le réparer ou remplacez-le conformément à ces instructions.
  - Tout dispositif ayant été soumis à un arrêt de chute ou à une force d'impact doit être immédiatement retiré du service et détruit.
  - Ce dispositif ne doit être installé que sur les structures ou dans les substrats spécifiés, comme il est précisé dans les instructions de l'utilisateur. Toute installation ou utilisation qui est hors de la portée de ces instructions doit être approuvée par le service de protection antichute de 3M.
  - La structure ou le substrat auquel le connecteur d'ancrage est fixé doit pouvoir résister aux charges statiques précisées pour le dispositif d'ancrage dans les sens permis indiqués dans les instructions de l'utilisateur.
  - Ne connectez les autres sous-systèmes de protection antichute qu'au point de connexion d'ancrage désigné sur le dispositif.
  - Avant de procéder au perçage ou à une fixation, assurez-vous que la perceuse ou le dispositif n'entrera pas en contact avec des lignes électriques, des conduites de gaz ou d'autres systèmes intégrés critiques.
  - Assurez-vous que les systèmes/sous-systèmes de protection antichute assemblés à partir de composants fabriqués par différents fabricants sont compatibles et répondent aux exigences des normes applicables, y compris la norme ANSI Z359 ou d'autres codes, normes ou exigences de protection antichute applicables. Consultez toujours une personne qualifiée ou compétente avant d'utiliser ces systèmes.
  - (FIXATIONS UNIVERSELLES) Assurez-vous que la fixation universelle est fermement ajustée contre la structure d'ancrage. Ne laissez jamais de jeu dans la fixation universelle.
- **Pour réduire les risques associés au travail en hauteur qui, s'ils ne sont pas évités, pourraient entraîner des blessures graves, voire la mort :**
  - Assurez-vous que votre condition physique et votre état de santé vous permettent de supporter en toute sécurité toutes les forces associées au travail en hauteur. Consultez votre médecin en cas de questions sur votre capacité à utiliser cet équipement.
  - Ne dépassez jamais la capacité maximale permise de votre équipement de protection antichute.
  - Ne dépassez jamais la distance maximale de chute libre de votre équipement de protection antichute.
  - N'utilisez jamais un équipement de protection antichute qui échoue à une inspection préalable à son utilisation ou à toute autre inspection programmée ou encore si vous vous inquiétez de l'utilisation ou de la pertinence de l'équipement pour votre application. En cas de questions, n'hésitez pas à communiquer avec les services techniques de 3M.
  - Certaines combinaisons de sous-systèmes et de composants peuvent gêner le fonctionnement de cet équipement. N'utilisez que des connecteurs compatibles. Consultez 3M avant d'employer cet équipement conjointement avec des composants ou des sous-systèmes autres que ceux décrits dans les instructions à l'utilisateur.
  - Prenez des précautions supplémentaires lorsque vous travaillez à proximité d'une machinerie mobile (p. ex. l'entraînement supérieur d'une plateforme pétrolière), risques électriques, températures extrêmes, risques chimiques, gaz explosifs ou toxiques, bords tranchants ou matériaux en suspension pouvant endommager l'utilisateur ou l'équipement.
  - Lorsque vous travaillez dans un environnement où la chaleur est élevée, utilisez des appareils dont l'usage se fait en environnement chaud ou en présence d'arc électrique.
  - Évitez les surfaces et les objets qui pourraient endommager l'équipement de l'utilisateur.
  - Lorsque vous travaillez en hauteur, vérifiez d'abord que la distance d'arrêt est adéquate.
  - Ne modifiez jamais votre équipement de protection antichute. Seules 3M ou les parties autorisées par écrit par 3M sont en droit d'effectuer des réparations sur cet équipement.
  - Avant d'utiliser un équipement de protection antichute, assurez-vous qu'un plan de sauvetage est en place et permet un sauvetage rapide en cas de chute.
  - Si un tel incident devait se produire, obtenez des soins médicaux immédiats pour le travailleur tombé.
  - N'utilisez pas de ceinture de travail dans les applications de protection antichute. N'utilisez qu'un harnais de sécurité complet.
  - Vous pouvez réduire les chutes oscillantes en travaillant aussi près que possible de l'ancrage.
  - Si ce dispositif est utilisé en formation, un second système de protection antichute doit être utilisé aussi de façon à ne pas exposer le stagiaire à un danger de chute involontaire.
  - Portez toujours un équipement de protection individuelle approprié lors de l'installation, de l'utilisation ou de l'inspection du dispositif/système.

Avant d'installer et d'utiliser ce matériel, consigner l'information d'identification de produit de l'étiquette d'identification dans le Journal d'inspection et d'entretien (tableau 2) à la fin de ce manuel.

Toujours s'assurer d'utiliser la dernière révision du manuel d'utilisation de 3M. Consulter le site Web de 3M ou communiquer avec le Service technique de 3M pour obtenir des manuels d'utilisation mis à jour.

### DESCRIPTION DU PRODUIT :

La figure 1 montre des adaptateurs de fixation et une rallonge d'ancrage Protecta® 3M<sup>MC</sup>.

Le type 1 est un adaptateur de fixation en câble. Le type 2 est un adaptateur de fixation en câble à deux anneaux. Le type 3 est un adaptateur de fixation en câble à deux anneaux muni d'une épissure à œil fixé. Le type 4 est un adaptateur de fixation en toile. Les quatre types sont tous des adaptateurs de fixation à un seul point conçus pour être fixés autour d'une poutre ou d'un support structurel. Les adaptateurs de fixation peuvent être utilisés comme connecteurs d'ancrage pour une ligne de vie horizontale si le système est conçu, installé et utilisé sous la supervision d'une personne qualifiée.

Le type 5 est une rallonge d'ancrage qui doit uniquement être utilisée pour se fixer sur un point de connexion d'ancrage existant. Le type 5 n'est pas conçu pour s'enrouler autour d'une structure.

La figure 2 montre les composants des adaptateurs de fixation et de la rallonge d'ancrage. Consulter le tableau 1 pour les spécifications des composants et des connecteurs. Les adaptateurs de fixation et la rallonge d'ancrage comprennent soit une ligne de vie avec câble (A) ou une ligne de vie en toile (B). L'adaptateur de fixation est fixé autour d'une poutre ou d'un support structurel au moyen de ses connecteurs d'extrémité. Les connecteurs d'extrémité peuvent être des crochets à ressort (F), des connecteurs à anneau en O (C), des mousquetons (D) ou des anneaux en D (E).

**Tableau 1 – Spécifications**

Spécifications du système	
<b>Capacité :</b>	Une personne dont le poids combiné (vêtements, outils, etc.) ne dépasse pas 140 kg (310 lb).
<b>Ancrage :</b>	La compatibilité de l'ancrage doit être conforme aux exigences de la section 2.1. <input checked="" type="checkbox"/> Si l'utilisateur n'est pas en mesure de déterminer si l'ancrage répond à ces exigences, il doit alors trouver une personne qualifiée ou un ingénieur professionnel en mesure de le faire ou communiquer avec le Service technique de 3M.
<b>Température de service :</b>	-40 °C (-40 °F) Température de service minimale
<b>Résistance à la rupture :</b>	22,2 kN (5 000 lbf) Force de rupture minimale
<b>Dimensions</b>	Voir la figure 1 pour connaître les dimensions de chaque modèle d'adaptateur de fixation.
<b>Normes :</b>	Consulter la couverture avant de ces instructions pour connaître les normes applicables. Les modèles homologués en vertu de la norme ANSI Z359.18-2017 ont également été mis à l'essai conformément aux exigences de la norme ANSI Z359.7. <input checked="" type="checkbox"/> La conformité aux normes de l'ANSI et les essais en vertu de ces dernières ne couvrent que le produit et ne s'étendent pas à la structure d'ancrage ou au substrat auquel le produit est fixé.

### Spécifications des composants :

Figure 2 Référence	Composant	Matériau
(A)	Câble de ligne de vie	Fil galvanisé
(B)	Ligne de vie en toile	Sangles en polyester
(C)	Connecteur à anneau en O	(voir « Spécifications des connecteurs » ci-dessous)
(D)	Mousqueton	(voir « Spécifications des connecteurs » ci-dessous)
(E)	Anneau en D	(voir « Spécifications des connecteurs » ci-dessous)
(F)	Crochet à ressort	(voir « Spécifications des connecteurs » ci-dessous)

### Spécifications des connecteurs :

Figure 1 Référence	Description	Matériau	Ouverture de la clavette	Capacité de la clavette
(A)	Connecteur à anneau en O	Alliage d'acier	---	---
(B)	Anneau en D	Alliage d'acier	---	---
(C)	Anneau en D	Alliage d'acier	---	---
(D)	Connecteur à anneau en O	Alliage d'acier	---	---
(E)	Mousqueton	Alliage d'acier	17 mm (11/16 po)	16 kN (3 600 lbf)
(F)	Crochet à ressort	Acier zingué	19 mm (3/4 po)	16 kN (3 600 lbf)
(G)	Anneau en D	Alliage d'acier	---	---

**Résistance à la traction :** La résistance à la traction de chaque connecteur énuméré ci-dessus est de 22,2 kN (5 000 lbf).

## 1.0 APPLICATION DU PRODUIT

**1.1 OBJECTIF :** Les connecteurs d'ancrage sont conçus pour fournir des points de raccordement d'ancrage pour les systèmes antichute<sup>1</sup>, systèmes de limitation de chute<sup>2</sup>, système de positionnement pour le travail<sup>3</sup> ou systèmes de<sup>4</sup> sauvetage.

**Pour la protection contre les chutes seulement :** Ce connecteur d'ancrage est conçu pour le raccordement du matériel de protection contre les chutes. Ne pas raccorder d'équipement de levage au connecteur d'ancrage.

**1.2 NORMES :** Votre connecteur d'ancrage est conforme à la ou aux normes nationales ou régionales identifiées sur la couverture avant de ces instructions. Si ce produit est revendu en dehors du pays d'origine de destination, le revendeur doit fournir ces directives dans la langue du pays dans lequel le produit est utilisé.

**1.3 SUPERVISION :** L'utilisation de ce matériel doit être supervisée par une personne compétente<sup>5</sup>.

**1.4 FORMATION :** Ce matériel doit être installé et utilisé par des personnes formées pour que son application soit appropriée. Ce manuel doit être utilisé dans le cadre d'un programme de formation pour les employés, comme l'exigent les normes nationales, régionales ou locales. L'utilisateur et l'installateur de ce matériel sont tenus de se familiariser avec les présentes directives, de suivre une formation afin de maintenir et d'utiliser correctement ce matériel et de bien connaître les caractéristiques opérationnelles, les limites des applications ainsi que les conséquences d'une utilisation inappropriée de ce matériel.

**1.5 PLAN DE SAUVETAGE :** Pour l'utilisation de ce matériel et des sous-systèmes de connexion, l'employeur doit avoir un plan de sauvetage et les moyens de le mettre en œuvre et de le communiquer aux utilisateurs<sup>6</sup>, aux personnes autorisées<sup>7</sup> et aux sauveteurs<sup>8</sup>. Il est conseillé d'avoir une équipe de sauvetage formée présente sur place. Les membres de l'équipe doivent disposer du matériel ainsi que des connaissances techniques pour accomplir un sauvetage réussi. La formation doit être répétée régulièrement afin d'assurer l'efficacité des sauveteurs.

**1.6 APRÈS UNE CHUTE :** Si le produit a été soumis à une force d'arrêt de chute ou d'impact, le mettre hors service immédiatement. Indiquer clairement « NE PAS UTILISER » sur le produit. Consulter la section 5 pour obtenir de plus amples renseignements.

## 2.0 EXIGENCES DU SYSTÈME

**2.1 ANCRAGE :** Les exigences de structure d'ancrage varient selon l'application du système et le fait qu'il s'agisse d'un ancrage homologué<sup>9</sup> ou d'un ancrage non homologué<sup>10</sup>. La structure à laquelle est fixé le système antichute, de limitation de chute, de positionnement pour le travail ou de sauvetage doit supporter des charges statiques appliquées dans les directions autorisées, comme l'indique le tableau suivant. Les exigences de résistance d'ancrage, de même que les applications du système, sont détaillées ci-dessous, sauf si elles sont notées ou définies dans le tableau 1 :

Systèmes de protection contre les chutes	Ancrage homologué <sup>9</sup>	Ancrage non homologué <sup>10</sup>	Défini par
Système antichute	2 fois la force d'arrêt maximale	22,2 kN (5 000 lbf)	OSHA, ANSI
Dispositif de retenue/ restriction du déplacement	2 fois la force prévisible	4,4 kN (1 000 lb) selon l'ANSI 22,2 kN (5 000 lb) selon l'OSHA	OSHA, ANSI
Positionnement de travail	2 fois la force prévisible	13,3 kN (3 000 lbf)	OSHA, ANSI
Sauvetage	5 fois la charge appliquée	13,3 kN (3 000 lbf)	ANSI

Lorsque plusieurs équipements sont fixés à un ancrage, les forces indiquées ci-dessus doivent être multipliées par le nombre d'équipements de sauvetage fixés à l'ancrage. Consulter la section ANSI Z359.2 pour de plus amples informations.

**2.2 SYSTÈME ANTICHUTE INDIVIDUEL :** La figure 1 illustre l'utilisation de ce connecteur d'ancrage. Les systèmes antichute individuels utilisés avec ce système doivent être conformes aux normes, aux codes et aux exigences applicables en matière de protection contre les chutes. Le système antichute individuel doit comporter un harnais de sécurité complet et limiter la force d'arrêt conformément aux valeurs suivantes :

	Force d'arrêt maximale	Chute libre
<b>Système antichute individuel avec long amortisseur de choc</b>	8 kN (1800 lbf)	Consulter les instructions incluses avec la longe ou le dispositif autorétractable pour obtenir de plus amples renseignements sur les limites associées aux chutes libres.
<b>Système antichute individuel avec dispositif autorétractable</b>	8 kN (1800 lbf)	

**1 Système antichute :** Ensemble de matériel de protection contre les chutes configuré pour arrêter une chute libre. Protège l'utilisateur en cas de chute. La distance en chute libre admissible se limite à celle permise par le dispositif de raccordement (qu'il s'agisse d'une longe amortisseur de choc ou d'un dispositif autorétractable).

**2 Système de limitation de chute :** Ensemble de matériel de protection contre les chutes configuré pour empêcher le centre de gravité de la personne de se retrouver en danger de chute. Empêche l'utilisateur de se retrouver en danger de chute. Aucune chute libre verticale n'est possible.

**3 Système de positionnement pour le travail :** Ensemble de matériel de protection contre les chutes configuré pour supporter un utilisateur dans une position de travail. Doit comporter un système antichute individuel. La distance en chute libre maximale autorisée est de 2 pieds.

**4 Système de sauvetage :** Ensemble de matériel de protection contre les chutes configuré pour extraire une personne d'une situation dangereuse, lui éviter des blessures ou la confiner dans un endroit sûr. Aucune chute libre verticale n'est possible.

**5 Personne compétente :** Personne capable de reconnaître les dangers existants et prévisibles au sein du milieu de travail ou les conditions de travail insalubres, risquées ou dangereuses pour les employés, et qui possède l'autorisation pour apporter des mesures correctives diligentes pour les éliminer.

**6 Utilisateur :** Une personne qui réalise des activités tout en étant protégée par un système de protection contre les chutes.

**7 Personne autorisée :** Une personne affectée par l'employeur et chargée d'exécuter des travaux à un emplacement qui l'expose à un danger de chute.

**8 Sauveteur :** Toute personne autre que la personne secourue effectuant un sauvetage assisté à l'aide d'un système de sauvetage.

**9 Ancrage homologué :** Un ancrage pour les systèmes antichute, de positionnement, de limitation de chute ou de sauvetage qu'une personne qualifiée juge capable de satisfaire aux critères en matière d'ancrage homologué conformément à la section 2.1.

**10 Ancrage non homologué :** Un ancrage pour un système antichute qu'une personne compétente peut juger capable de supporter les forces d'ancrage prédéterminées énumérées à la section 2.1.



- 2.3 TRAJECTOIRE DE CHUTE ET VITESSE DE BLOCAGE DU DISPOSITIF AUTORÉTRACTABLE :** Une trajectoire de chute non obstruée est nécessaire pour que le dispositif autorétractable se bloque normalement. Les situations sans trajectoire de chute non obstruée doivent être évitées. Lorsqu'une personne travaille dans un espace réduit ou étroit, il est possible qu'en cas de chute, le corps ne puisse pas atteindre une vitesse suffisante pour que le dispositif autorétractable se bloque. De même, il est possible qu'une personne travaillant sur un matériau instable, comme du sable ou du grain, ne puisse pas chuter à une vitesse suffisante pour bloquer le dispositif autorétractable.
- 2.4 DANGERS :** L'utilisation de ce matériel dans des zones de dangers environnementaux peut exiger de prendre des précautions additionnelles afin d'éviter que l'utilisateur ne se blesse ou que le matériel ne subisse des dommages. Les dangers peuvent comprendre, notamment et sans limitation : la chaleur, les produits chimiques, les environnements corrosifs, les lignes électriques à haute tension, les gaz explosifs ou toxiques, de la machinerie en mouvement, les bords acérés ou les matériaux suspendus pouvant tomber et entrer en contact avec l'utilisateur ou le système antichute individuel.
- 2.5 DÉGAGEMENT DE CHUTE :** La figure 3 illustre les composants du dispositif antichute. Le dégagement de chute (DC) sous l'utilisateur doit être suffisant pour arrêter la chute avant qu'il n'entre en contact avec le sol ou tout autre obstacle. Le dégagement est affecté par un certain nombre de facteurs, notamment : emplacement de l'ancrage, (A) longueur de la longe, (B) distance de décélération de la longe ou distance d'arrêt maximale du dispositif autorétractable (C) étirement du harnais et affaissement et longueur de l'anneau du D/du connecteur. Se reporter aux directives fournies avec le sous-système antichute pour de plus amples détails sur le calcul du dégagement de chute.
- 2.6 CHUTES AVEC MOUVEMENT DE BALANCIER :** Les chutes avec mouvement de balancier se produisent lorsque le point d'ancrage ne se trouve pas directement au-dessus du point où une chute se produit (voir la figure 4). Si un objet est heurté pendant le mouvement de balancier, la force peut être importante et causer des blessures graves ou la mort. Minimiser les risques de chutes avec mouvement de balancier en travaillant le plus directement possible sous le point d'ancrage. Éviter toute chute avec mouvement de balancier s'il y a un risque de blessure. Les chutes avec mouvement de balancier requièrent une plus grande distance d'arrêt lors de l'utilisation d'une ligne de vie autorétractable ou de tout autre sous-système de connexion à longueurs variables.
- 2.7 COMPATIBILITÉ DES COMPOSANTS :** L'équipement 3M est destiné à être utilisé uniquement avec des composants et des sous-systèmes approuvés par 3M. Les substitutions ou les remplacements effectués avec des composants ou des sous-systèmes non approuvés peuvent affecter la compatibilité du matériel ainsi que la sécurité et la fiabilité du système dans son ensemble.
- 2.8 COMPATIBILITÉ DES CONNECTEURS :** les connecteurs sont jugés compatibles avec les éléments de connexion lorsqu'ils ont été conçus pour travailler conjointement et de telle manière que leurs tailles et formes n'entraînent pas l'ouverture des mécanismes, quelle que soit leur orientation. Communiquer avec 3M pour toute question sur la compatibilité.
- Les connecteurs (crochets, mousquetons et anneaux en D) doivent pouvoir supporter une charge minimale de 22,2 kN (5 000 lbf). Ils doivent être compatibles avec l'ancrage ou d'autres composants du système. Ne pas utiliser de matériel non compatible. Les connecteurs non compatibles peuvent se désengager accidentellement (voir la figure 5). La taille, la forme et la résistance des connecteurs doivent être compatibles. Si le connecteur sur lequel se fixe le crochet à ressort ou le mousqueton est trop petit ou de forme irrégulière, celui-ci risque d'exercer une force sur le doigt du crochet à ressort ou du mousqueton (A). Cette force peut entraîner l'ouverture de la clavette (B), permettant ainsi au crochet à ressort ou au mousqueton de se désengager du point d'attache (C).
- La norme Z359 de l'ANSI et l'OSHA exigent l'utilisation de crochets à ressort et de mousquetons autoverrouillables.
- 2.9 RACCORDEMENTS :** Les crochets à ressort et les mousquetons utilisés avec ce matériel doivent être autoverrouillables. S'assurer que la taille, la forme et la résistance de tous les raccords sont compatibles. Ne pas utiliser de matériel non compatible. S'assurer que tous les connecteurs sont complètement fermés et verrouillés.
- Les connecteurs 3M (crochets à ressort et mousquetons) sont conçus pour être utilisés uniquement selon les instructions propres à chacun des produits. Consulter la figure 6 pour obtenir des exemples de raccords inappropriés. Ne pas connecter de crochet à ressort et de mousqueton :
- À un anneau en D sur lequel un autre connecteur est raccordé.
  - D'une manière qui entraînerait une charge sur la clavette. Les crochets à ressort à ouverture large ne doivent pas être connectés à des anneaux en D de taille standard ou à d'autres objets semblables, au risque d'entraîner une charge sur la clavette si le crochet ou l'anneau en D se déforme ou pivote, sauf si le crochet à ressort est équipé d'une clavette de 16 kN (3 600 lb) de capacité. Vérifier les directives sur le crochet à ressort afin d'assurer qu'il convient à l'application.
  - En cas de fixation défectueuse, où certains éléments qui dépassent du crochet à ressort ou du mousqueton se prennent dans le point d'ancrage et semblent être totalement pris dans le point d'ancrage sans pouvoir le vérifier visuellement.
  - L'un à l'autre.
  - Directement à une sangle, une longe en corde ou à un nœud coulant (sauf s'il est indiqué dans les directives du fabricant de la longe et du connecteur qu'un tel raccord est permis).
  - À un objet dont la forme ou la dimension bloque la fermeture et le verrouillage du crochet à ressort ou du mousqueton ou pourrait provoquer leur décrochage.
  - S'ils ne permettent pas au connecteur de s'aligner correctement alors qu'il est sous tension.

### 3.0 INSTALLATION

*Le propriétaire de cet équipement peut communiquer avec le Service technique de 3M pour toute question concernant l'installation, l'utilisation ou l'inspection de l'équipement.*

*L'installation de points d'ancrage non certifiés doit être faite ou supervisée par une personne compétente<sup>1</sup>. L'installation de points d'ancrage certifiés doit être conçue, certifiée et supervisée par une personne qualifiée<sup>2</sup>.*

**3.1 PLANIFICATION :** Planifier l'installation du système de protection contre les chutes avant de commencer à travailler. Prendre en compte tous les facteurs qui pourraient affecter la sécurité avant, pendant et après une chute. Tenir compte de toutes les exigences et restrictions définies dans le présent manuel.

*Toujours utiliser un adaptateur de fixation d'une longueur convenant à votre système. Un adaptateur de fixation trop court ne pourra pas s'enrouler complètement autour de la structure. Un adaptateur de fixation trop long créera une longueur de chute libre supplémentaire pour le système de protection contre les chutes.*

*3M rendra accessible sur demande les renseignements nécessaires à la conception et à la planification des systèmes.*

**3.2 DIRECTION DU CHARGEMENT :** L'adaptateur de fixation et la rallonge d'ancrage doivent toujours être chargés le plus directement possible sous le point d'ancrage. Voir la figure 8 aux fins de référence. L'adaptateur de fixation et la rallonge d'ancrage doivent pouvoir supporter des charges statiques répondant aux exigences de la section 2.1, à plus ou moins 3° (degrés) par rapport à la verticale.

**3.3 INSTALLATION DE L'ADAPTATEUR DE FIXATION :** Les adaptateurs de fixation peuvent être installés sur des poutres et des supports structuraux répondant aux exigences spécifiées dans le tableau 1 et la section 2. Voir la figure 1 pour connaître la longueur maximale de chacun des modèles d'adaptateur de fixation. Avant d'installer l'adaptateur de fixation, se reporter aux méthodes suivantes :

*Les adaptateurs de fixation ne peuvent être installés que sur des structures d'ancrage horizontales. Ne pas installer les adaptateurs de fixation sur une structure d'ancrage verticale ou inclinée, car cela pourrait faire glisser ou déplacer l'adaptateur de fixation en cas de chute.*

*Éviter d'installer les adaptateurs de fixation autour de structures présentant des arêtes vives ou des surfaces abrasives. Si le contact avec une arête vive ou une surface abrasive est inévitable, recouvrir l'arête ou la surface avec un matériau de protection et augmentez la fréquence d'inspection de l'ancrage.*

**FIXATION :** Cette méthode d'installation s'applique aux modèles de type 1 et de type 4 illustrés à la figure 1. Voir la figure 9 pour une description de l'installation. Pour installer l'adaptateur de fixation :

1. Placer l'adaptateur de fixation sur la structure d'ancrage sélectionnée. Les connecteurs d'extrémité de l'adaptateur de fixation doivent pendre sous l'ancrage, comme illustré.
2. Faire passer le petit connecteur d'extrémité dans le grand connecteur d'extrémité. Faire glisser le grand connecteur d'extrémité jusqu'à la structure d'ancrage, par-dessus la ligne de vie attachée au petit connecteur d'extrémité.
3. Tirer vers le bas le petit connecteur d'extrémité afin de serrer l'adaptateur de fixation autour de la structure d'ancrage. L'adaptateur de fixation doit être fermement enroulé autour de la structure d'ancrage, avec le petit connecteur d'extrémité pendant librement. S'il est trop lâche, il est possible raccourcir la distance en enroulant plusieurs fois l'adaptateur de fixation autour de la structure d'ancrage. À chacun des tours, faire passer le petit connecteur d'extrémité dans le grand connecteur d'extrémité. Une fois l'installation terminée, toute connexion à l'adaptateur de fixation doit être faite au moyen du petit connecteur d'extrémité.

**DOUBLE ANNEAU :** Cette méthode d'installation s'applique aux modèles de type 2 et de type 3 illustrés à la figure 1. Voir la figure 10 pour une description de l'installation. Pour installer l'adaptateur de fixation :

1. Placer l'adaptateur de fixation sur la structure d'ancrage sélectionnée. Les connecteurs d'extrémité de l'adaptateur de fixation doivent pendre sous l'ancrage, comme illustré.
2. Rapprocher les deux extrémités de l'adaptateur de fixation et connecter le mousqueton à l'un des deux anneaux en D. S'assurer que le mousqueton est correctement fermé et verrouillé. Une fois l'installation terminée, toute connexion à l'adaptateur de fixation doit être faite au moyen de l'anneau en D libre.

**RALLONGE D'ANCRAGE :** Cette méthode d'installation s'applique aux modèles de type 5 illustrés à la figure 1. Voir la figure 11 pour une description de l'installation. Pour installer la rallonge d'ancrage :

1. La rallonge d'ancrage peut être utilisée pour rallonger un ancrage en connectant le crochet à ressort à un connecteur d'ancrage existant et en laissant la rallonge d'ancrage pendre directement vers le bas. S'assurer que le crochet est complètement fermé et verrouillé. Une fois l'installation terminée, toute connexion à la rallonge d'ancrage doit se faire au moyen du connecteur à anneau en O du bas.

*La rallonge d'ancrage doit être installée de manière à ce qu'elle pende directement vers le bas. Elle ne doit pas être installée de manière à créer une longueur de chute libre supplémentaire en cas de chute. Ne pas enrouler la rallonge d'ancrage autour de la structure.*

### 4.0 UTILISATION

**4.1 AVANT CHAQUE UTILISATION :** Vérifier que la zone de travail et le système de protection contre les chutes répondent à tous les critères définis dans les présentes instructions. S'assurer qu'un plan de sauvetage est en place. Inspecter le produit en suivant les points d'inspection « Utilisateur » définis dans le « Journal d'inspection et d'entretien ». Si l'inspection révèle des conditions dangereuses ou un état défectueux, ou s'il y a un doute relativement à son état en vue d'une utilisation sécuritaire, mettre immédiatement le produit hors service. Indiquer clairement « NE PAS UTILISER » sur le produit. Consulter la section 5 pour obtenir de plus amples renseignements.

**4.2 CONNEXIONS POUR SYSTÈME ANTICHUTE :** L'adaptateur de fixation est utilisé avec un harnais de sécurité complet et une longe amortisseur de choc ou un dispositif autorétractable. La figure 7 illustre comment relier une longe à amortisseur de choc ou un dispositif autorétractable entre un harnais et un adaptateur de fixation. Ne pas enrouler l'adaptateur de fixation (B) autour de l'ancrage (A), puis attacher connecteur (C) du sous-système de connexion au point de connexion de l'adaptateur de fixation. Relier la longe amortisseur de choc ou le dispositif autorétractable à l'anneau en D dorsal de votre harnais, comme décrit dans les directives d'utilisation de votre longe amortisseur de choc ou de votre dispositif autorétractable. Un seul système de protection contre les chutes peut être fixé à un point de connexion individuel à la fois.

*Ne laisser aucun jeu dans l'adaptateur de fixation pendant l'utilisation. L'adaptateur de fixation doit être enroulé fermement autour de l'ancrage pendant l'utilisation.*

**4.3 SYSTÈMES HORIZONTAUX :** Certains connecteurs d'ancrage peuvent être utilisés comme points d'ancrage d'extrémité pour les systèmes horizontaux. Les ancrages pour les systèmes horizontaux doivent être conçus et certifiés par une personne qualifiée ayant de l'expérience et une formation dans la conception et l'utilisation de systèmes à ligne de vie horizontale. Les ancrages non certifiés ne doivent pas être utilisés pour les lignes de vie horizontales. Utiliser uniquement un connecteur d'ancrage qui répond aux exigences de charge, de moment et de direction pour ce système horizontal précis. Les connecteurs d'ancrage non fixés, coulissants ou à contrepoids ne doivent pas être utilisés avec un système horizontal. Consulter le manuel d'instructions et le manuel d'installation fournis avec votre système horizontal avec ligne de vie pour plus d'information sur les exigences d'ancrage et de connecteur d'ancrage.

## 5.0 INSPECTION

*Une fois que le produit a été mis hors service, il ne peut pas être remis en service avant qu'une personne compétente confirme par écrit qu'il est acceptable de le faire.*

**5.1 FRÉQUENCE D'INSPECTION :** Le produit doit être inspecté par une personne autorisée avant chaque utilisation, puis, en plus, par une personne compétente autre que l'utilisateur à un intervalle n'excédant pas une fois par année. Une fréquence d'utilisation élevée du matériel et une utilisation dans des conditions plus difficiles peuvent exiger des inspections plus fréquentes par une personne compétente. La fréquence de ces inspections doit être déterminée par la personne compétente en fonction des conditions particulières du chantier.

**5.2 PROCÉDURES D'INSPECTION :** Inspecter ce produit selon les procédures énumérées dans le « *Journal d'inspection et d'entretien* ». Le propriétaire de ce matériel doit conserver la documentation de chaque inspection. Un registre d'inspection et d'entretien doit être placé à proximité du produit ou être facilement accessible aux utilisateurs. Il est recommandé d'indiquer la date de la prochaine ou de la dernière inspection sur le produit.

*Le propriétaire de cet équipement peut définir d'autres critères d'inspection. Les autres critères de rechange doivent être égaux ou supérieurs à ceux établis par 3M dans le « *Journal d'inspection et d'entretien* » et dans les autres documents officiels.*

**5.3 DÉFECTUOSITÉS :** Si le produit ne peut pas être remis en service en raison d'un défaut existant ou d'une condition dangereuse, ou parce qu'il a été soumis à un arrêt de chute, détruire le produit ou communiquer avec 3M pour un remplacement ou une réparation possible.

**5.4 DURÉE UTILE DU PRODUIT :** La durée utile du produit est déterminée par les conditions de travail et l'entretien. Tant que le produit satisfait aux critères d'inspection, il peut être utilisé.

## 6.0 ENTRETIEN, SERVICE et ENTREPOSAGE

*Le matériel qui nécessite un entretien ou dont l'entretien est prévu doit porter une étiquette indiquant « NE PAS UTILISER ». Ces étiquettes ne doivent pas être retirées avant que l'entretien du matériel soit effectué.*

**6.1 NETTOYAGE :** Les procédures de nettoyage de l'adaptateur de fixation sont les suivantes :

- Nettoyer régulièrement les composants métalliques de l'adaptateur de fixation avec de l'eau chaude et une solution savonneuse douce. Positionner l'adaptateur de fixation de manière à ce qu'il se draine. Nettoyer les étiquettes au besoin.
- S'il y a lieu, nettoyer la ligne de vie en toile avec une solution d'eau et de savon doux. Rincer et sécher complètement à l'air. Ne pas soumettre l'équipement à un séchage accéléré à la chaleur. Une accumulation excessive de saleté, peinture, etc., peut empêcher le système de fonctionner adéquatement et, dans des cas graves, peut affaiblir la corde.

**6.2 SERVICE :** Seules 3M ou les parties autorisées par écrit par 3M peuvent réparer ce matériel.

**6.3 ENTREPOSAGE ET TRANSPORT :** Lorsqu'il n'est pas utilisé, entreposer et transporter l'adaptateur de fixation et le matériel de protection contre les chutes connexe dans un endroit frais, sec et propre à l'abri de la lumière directe du soleil. Éviter les zones présentant des vapeurs chimiques. Procéder à un examen minutieux après un entreposage prolongé.

## 7.0 ÉTIQUETTES et MARQUAGES

**7.1 ÉTIQUETTES :** La figure 12 montre les étiquettes présentes sur chaque modèle d'adaptateur de fixation. Si elles ne sont pas parfaitement lisibles ou si elles sont absentes, les étiquettes doivent être remplacées. Les renseignements apparaissant sur chaque étiquette sont les suivants :

<b>A</b>	1) Énoncé de mise en garde – Lire les directives d'utilisation. 2) Logo de l'entreprise 3) Site Web de l'entreprise
<b>B</b>	1) Énoncé de mise en garde – Lire les directives d'utilisation. 2) Logo de l'entreprise 3) Site Web de l'entreprise

C	<ol style="list-style-type: none"> <li>1) Conformité du produit</li> <li>2) Date de fabrication (année/mois)</li> <li>3) Numéro de lot</li> <li>4) Numéro de modèle</li> <li>5) Matériau</li> <li>6) Longueur (pi)</li> <li>7) Normes applicables</li> <li>8) Nature du matériau</li> <li>9) La longueur (pi) est indiquée par un nombre après la nature du matériau.</li> <li>10) Capacité selon l'ANSI : 59 à 140 kg (130 à 310 lb)</li> <li>11) Spécifications du produit : ANSI Z359.18 Type A</li> </ol>
D	<ol style="list-style-type: none"> <li>1) Numéro de série</li> <li>2) Registre d'inspection</li> <li>3) Ne pas retirer cette étiquette.</li> </ol>
E	<ol style="list-style-type: none"> <li>1) Logo de l'entreprise</li> <li>2) Coordonnées et site Web de l'entreprise</li> <li>3) Spécifications de l'OSHA et de l'ANSI</li> <li>4) Matériau du produit et normes applicables</li> <li>5) Dans l'ordre : Numéro de pièce, longueur du produit, date de fabrication, nature du matériau, numéro de lot, numéro de série</li> <li>6) Énoncé de mise en garde – Lire les directives d'utilisation.</li> </ol>
F	<ol style="list-style-type: none"> <li>1) Spécifications du produit : ANSI Z359.18 Type A</li> </ol>



## INFORMACIÓN DE SEGURIDAD

Lea, comprenda y acate toda la información de seguridad incluida en estas instrucciones antes de utilizar este sistema de conector de anclaje. **DE NO HACERLO, PUEDEN PRODUCIRSE LESIONES O LA MUERTE.**

Estas instrucciones deben entregarse a los usuarios de este equipo. Conserve todas las instrucciones para consultas futuras.

### Uso pretendido:

Este conector de anclaje ha sido diseñado para utilizarse como parte de un sistema personal completo de protección contra caídas.

3M no aprueba su uso para ninguna otra aplicación, incluidas, entre otras, la manipulación de materiales, las actividades de recreación o relacionadas con el deporte, u otras actividades no descritas en las Instrucciones para el usuario, ya que podrían ocasionarse lesiones graves o la muerte.

Este dispositivo debe ser utilizado únicamente por usuarios capacitados para aplicaciones en el lugar de trabajo.

## ADVERTENCIA

Este conector de anclaje forma parte de un sistema personal completo de protección contra caídas. Se prevé que todos los usuarios estén plenamente capacitados para instalar y utilizar con seguridad el sistema de protección contra caídas. **El uso incorrecto de este dispositivo puede ocasionar lesiones graves o la muerte.** Para su selección, funcionamiento, instalación, mantenimiento y reparación en forma adecuada, consulte las Instrucciones para el usuario y todas las recomendaciones del fabricante, consulte a un supervisor, o comuníquese con el Servicio Técnico de 3M.

- **Para reducir los riesgos asociados al trabajo con un conector de anclaje, que, de no evitarse, podrían ocasionar lesiones graves o la muerte:**
  - Inspeccione el dispositivo antes de cada uso, al menos una vez por año y después de una caída. La inspección se debe realizar de acuerdo con las Instrucciones para el usuario.
  - Si la inspección revela una condición insegura o defectuosa, retire el dispositivo de servicio, y repare o reemplácelo de acuerdo con las Instrucciones para el usuario.
  - Cualquier dispositivo que haya sido sometido a las fuerzas de detención de caídas o de impacto deberá retirarse inmediatamente del servicio y destruirse.
  - El dispositivo solo debe ser instalado en sustratos especificados o en estructuras detalladas en el Manual de instrucciones. Las instalaciones y el uso fuera del alcance de las instrucciones deben ser aprobados por 3M Fall Protection.
  - La superficie o la estructura a las que se conecta el conector de anclaje deben poder soportar las cargas estáticas especificadas para el anclaje en las orientaciones que se permiten en las Instrucciones para el usuario.
  - Solo conecte otros subsistemas de protección contra caídas al punto de conexión de anclaje designado en el dispositivo.
  - Antes de perforar o ajustar, asegúrese de que el taladro o el dispositivo no entrarán en contacto con líneas eléctricas, tuberías de gas u otros sistemas integrados fundamentales.
  - Asegúrese de que los sistemas y sistemas secundarios de protección contra caídas ensamblados con componentes hechos por diferentes fabricantes sean compatibles y cumplan con los requisitos de las normas vigentes, entre ellas ANSI Z359 u otros códigos, normas o requisitos vigentes de protección contra caídas. Consulte siempre a una persona calificada o competente antes de usar estos sistemas.
  - (ADAPTADORES DE CONEXIÓN) Asegúrese de que el dispositivo adaptador de conexión esté ajustado a la estructura del anclaje. Nunca deje la parte no utilizada de la cuerda en el dispositivo adaptador de conexión.
- **Para reducir los riesgos asociados con el trabajo en altura que, en caso de no evitarse, podrían ocasionar lesiones graves o muerte:**
  - Asegúrese de que su estado de salud y su condición física le permitan tolerar con seguridad todas las fuerzas asociadas con el trabajo en altura. Consulte a su médico si tiene dudas acerca de su capacidad para utilizar este equipo.
  - Nunca exceda la capacidad permitida del equipo de protección contra caídas.
  - Nunca exceda la distancia máxima de caída libre del equipo de protección contra caídas.
  - No utilice ningún equipo de protección contra caídas que no haya aprobado las inspecciones anteriores al uso u otras inspecciones programadas o si tiene inquietudes acerca del uso o de la idoneidad del equipo para su aplicación. Comuníquese con los Servicios Técnicos de 3M si tiene preguntas.
  - Algunas combinaciones de sistemas secundarios y componentes pueden interferir en el funcionamiento de este equipo. Utilice solamente conexiones compatibles. Consulte con 3M antes de utilizar este equipo junto con componentes o sistemas secundarios distintos de aquellos descritos en las Instrucciones para el usuario.
  - Tome precauciones adicionales al trabajar cerca de maquinaria en movimiento (por ejemplo, el sistema de propulsión superior de una torre petrolera), si hay riesgos eléctricos, temperaturas elevadas, peligros químicos, gases tóxicos o explosivos, bordes filosos o materiales elevados que pudieran caer sobre el equipo de protección contra caídas.
  - Utilice dispositivos Arc Flash o Hot Works cuando trabaje en ambientes con temperaturas elevadas.
  - Evite superficies y objetos que podrían lesionar al usuario o dañar el equipo.
  - Asegúrese de que haya una separación de caída adecuada al trabajar en alturas.
  - Nunca modifique ni altere el equipo de protección contra caídas. Solo 3M o las entidades autorizadas por escrito por 3M pueden hacer reparaciones en el equipo.
  - Antes de usar el equipo de protección contra caídas, asegúrese de que se haya implementado un plan de rescate que permita el rescate inmediato en caso de producirse un incidente de caída.
  - Si se produce un incidente de caída, busque atención médica de inmediato para la persona accidentada.
  - No utilice cinturones corporales para detención de caídas. Utilice únicamente un arnés de cuerpo entero.
  - Trabaje en un lugar situado lo más directamente posible por debajo del punto de anclaje para minimizar la posibilidad de caídas por balanceo.
  - Si está en capacitación con este equipo, debe utilizar un sistema secundario de protección contra caídas de forma tal que el aprendiz no esté expuesto a un riesgo de caída accidental.
  - Lleve puesto siempre un equipo de protección personal apropiado cuando instale, utilice o revise el dispositivo/sistema.

Antes de instalar y utilizar este equipo, anote la información de identificación del producto que figura en la etiqueta de identificación que se encuentra en el Registro de inspección y mantenimiento (Tabla 2), en la parte posterior de este manual.

Siempre asegúrese de estar utilizando la última versión de su manual de instrucciones de 3M. Visite el sitio web de 3M o comuníquese con el departamento de Servicios Técnicos de 3M para obtener manuales de instrucciones actualizados.

## DESCRIPCIÓN DEL PRODUCTO:

La Figura 1 ilustra los adaptadores de amarre y extensor de anclaje 3M™ Protecta®.

El Tipo 1 es un adaptador de amarre de cable. El Tipo 2 es un adaptador de amarre de cable de doble anillo. El Tipo 3 es un adaptador de amarre de cable de doble anillo que contiene un empalme de lazo circular. El Tipo 4 es un adaptador de amarre de tejido trenzado. Los Tipos 1, 2, 3 y 4 son todos adaptadores de amarre de un solo punto diseñados para asegurarse alrededor de una viga o soporte estructural. Los adaptadores de amarre se pueden usar como conectores de anclaje para una línea de vida horizontal si el sistema se diseña, instala y utiliza bajo la supervisión de una persona calificada.

El Tipo 5 es un extensor de anclaje y solo debe usarse para unirlo a un punto de conexión de anclaje existente. El Tipo 5 no está diseñado para envolverse alrededor de una estructura.

La Figura 2 ilustra los componentes de los adaptadores de amarre y el extensor de anclaje. Consulte la Tabla 1 para informarse sobre las especificaciones de los componentes y de los conectores. Los adaptadores de amarre y el extensor de anclaje están compuestos por una línea de vida de cable (A) o una línea de vida de tejido trenzado (B). El adaptador de amarre se fija alrededor de una viga o soporte estructural mediante la acción de sus conectores terminales. Las opciones de conector terminal incluyen ganchos de seguridad (F), conectores con juntas tóricas (C), mosquetones (D) y anillos en D (E).

**Tabla 1 – Especificaciones**

Especificaciones del sistema:				
<b>Capacidad:</b>	Una persona con un peso combinado (ropa, herramientas, etc.) de no más de 310 lb (140 kg).			
<b>Anclaje:</b>	La resistencia del anclaje debe cumplir con los requisitos de la Sección 2.1. <input checked="" type="checkbox"/> Si el usuario no puede determinar si el anclaje cumple con los requisitos del producto, debe buscar una persona calificada o un ingeniero profesional que pueda hacerlo o comunicarse con el departamento de Servicios Técnicos de 3M.			
<b>Temperatura de servicio:</b>	-40 °C (-40 °F) Temperatura mínima de servicio			
<b>Resistencia a la rotura:</b>	5000 lbf (22,2 kN) Resistencia mínima a la rotura			
<b>Dimensiones:</b>	Consulte la Figura 1 para conocer las dimensiones de cada modelo de adaptador de amarre.			
<b>Estándares:</b>	Consulte la portada de estas instrucciones para conocer cuáles son los estándares aplicables. Los modelos certificados según el estándar ANSI Z359.18-2017 también se han probado de acuerdo con los requisitos del estándar ANSI Z359.7. <input checked="" type="checkbox"/> Las pruebas realizadas y el cumplimiento con el estándar ANSI cubren solo el producto y no se extienden a la estructura de anclaje ni al sustrato al que está unido el producto.			
Especificaciones de los componentes:				
Referencia de la Figura 2	Componente	Materiales		
(A)	Anticaídas de cable	Alambre galvanizado		
(B)	Línea de vida de tejido trenzado	Entretejido de seguridad de poliéster		
(C)	Conector con junta tórica	(consulte la sección "Especificaciones del conector" a continuación)		
(D)	Mosquetón	(consulte la sección "Especificaciones del conector" a continuación)		
(E)	Anillo en D	(consulte la sección "Especificaciones del conector" a continuación)		
(F)	Gancho de seguridad	(consulte la sección "Especificaciones del conector" a continuación)		
Especificaciones del conector:				
Referencia de la Figura 1	Descripción	Material	Abertura de compuerta	Resistencia de compuerta
(A)	Conector con junta tórica	Aleación de acero	---	---
(B)	Anillo en D	Aleación de acero	---	---
(C)	Anillo en D	Aleación de acero	---	---
(D)	Conector con junta tórica	Aleación de acero	---	---
(E)	Mosquetón	Aleación de acero	11/16 in (17 mm)	3600 lbf (16 kN)
(F)	Gancho de seguridad	Acero enchapado en cinc	3/4 in (19 mm)	3600 lbf (16 kN)
(G)	Anillo en D	Aleación de acero	---	---
<input checked="" type="checkbox"/> <b>Resistencia a la tracción:</b> La resistencia a la tracción de cada uno de los conectores que se indicaron anteriormente es de 5000 lbf (22,2 kN).				

## 1.0 APLICACIÓN DEL PRODUCTO

**1.1 FINALIDAD:** Los conectores de anclaje están diseñados para proporcionar puntos de conexión de anclaje para detención de caídas<sup>1</sup>, restricción de caídas<sup>2</sup>, Posicionamiento de trabajo<sup>3</sup> o de rescate<sup>4</sup>

**Solo protección contra caídas:** Este conector de anclaje está diseñado para conectar el equipo de protección contra caídas. No conecte el equipo de elevación al conector de anclaje.

**1.2 ESTÁNDARES:** Su conector de anclaje cumple con las normas nacionales o regionales que se identifican en la cubierta frontal de estas instrucciones. Si este producto se revende fuera del país de destino original, el revendedor debe proporcionar estas instrucciones en el idioma del país en el que se usará el producto.

**1.3 SUPERVISIÓN:** Una persona competente debe supervisar el uso de este equipo<sup>5</sup>.

**1.4 CAPACITACIÓN:** La instalación y el uso de este equipo deben estar a cargo de personas capacitadas en su correcta aplicación. Este manual debe usarse como parte de un programa de capacitación de empleados tal como lo exigen los estándares nacionales, regionales o locales. El usuario y quienes instalen este equipo tienen la responsabilidad de familiarizarse con estas instrucciones, capacitarse en su cuidado y uso correctos, además de informarse sobre las características operativas, los límites de aplicación y las consecuencias de su uso incorrecto.

**1.5 PLAN DE RESCATE:** Al usar este equipo y conectar subsistemas, el empleador debe tener un plan de rescate y los medios disponibles para implementar y comunicar ese plan a los usuarios<sup>6</sup>, personas autorizadas<sup>7</sup> y rescatistas<sup>8</sup>. Se recomienda la presencia de un equipo de rescate capacitado en el sitio. Los miembros del equipo deben contar con el equipo y las técnicas para realizar un rescate exitoso. Se debe proporcionar capacitación periódicamente para garantizar la competencia del rescatista.

**1.6 DESPUÉS DE UNA CAÍDA:** Si el producto está sujeto a la detención de caídas o la fuerza de impacto, retírelo del servicio inmediatamente. Etiquete claramente el producto con la inscripción "NO USAR". Consulte la Sección 5 para obtener más información.

## 2.0 REQUISITOS DEL SISTEMA

**2.1 ANCLAJE:** Los requisitos de la estructura de anclaje varían según la aplicación del sistema y si es un anclaje certificado<sup>9</sup> o no certificado<sup>10</sup>. La estructura a la cual está conectado un sistema de detención de caídas, restricción, posicionamiento de trabajo o rescate debe sostener cargas estáticas aplicadas en las direcciones permitidas según se muestra en la siguiente tabla. Los requisitos de resistencia del anclaje, junto con las aplicaciones del sistema, se especifican a continuación, a menos que se indique o defina lo contrario en la Tabla 1:

Sistema de protección contra caídas	Anclaje certificado <sup>9</sup>	Anclaje no certificado <sup>10</sup>	Definido por
Detención de caídas	2 veces la fuerza de detención máxima	5000 lbf (22.2 kN)	OSHA, ANSI
Restricción/restricción del recorrido	2 veces la fuerza prevista	1000 lbf (4.4 kN) según ANSI 5000 lbf (22.2 kN) según OSHA	OSHA, ANSI
Posicionamiento para el trabajo	2 veces la fuerza prevista	3000 lbf (13.3 kN)	OSHA, ANSI
Rescate	5 veces la carga aplicada	3000 lbf (13.3 kN)	ANSI

Cuando se conecta a un anclaje más de un sistema, las resistencias mencionadas arriba deben multiplicarse por la cantidad de sistemas conectados al anclaje. Consulte ANSI Z359.2 para obtener más información.

**2.2 SISTEMA PERSONAL DE DETENCIÓN DE CAÍDAS:** La figura 1 ilustra la aplicación de este conector de anclaje. Los sistemas personales de detención de caídas utilizados con el sistema deben cumplir con las normas, los códigos y los requisitos correspondientes para la protección contra caídas. El PFAS debe incorporar un arnés de cuerpo completo y limitar la fuerza de detención a los siguientes valores:

	Fuerza de detención máxima	Caída libre
<b>PFAS con eslingas amortiguadoras de impacto</b>	1800 lbf (8 kN)	Consulte las instrucciones incluidas en su eslinga o dispositivo autorretráctil (SRD) para ver las limitaciones de caída libre.
<b>PFAS con dispositivos autorretráctiles (SRD)</b>	1800 lbf (8 kN)	

**1 Sistema de detención de caídas:** Una colección de equipos de protección contra caídas configurados para detener una caída libre. Protege al usuario en caso de caída. Se admite la caída libre hasta los límites permitidos por el dispositivo de conexión (ya sea eslinga absorbidora de energía o un dispositivo autorretráctil [SRD, por sus siglas en inglés]).

**2 sistema de restricción:** Una colección de equipos de protección contra caídas configurados para evitar que el centro de gravedad de una persona llegue a un riesgo de caída. Impide que el usuario se acerque a un peligro. No se permite la caída libre vertical.

**3 Sistema de posicionamiento de trabajo:** Una colección de equipos de protección contra caídas configurados para soportar a un usuario en posición de trabajo. Debe incluir un sistema de respaldo personal de detención de caídas. La caída libre máxima permitida es de 2 pies.

**4 Sistema de rescate:** Una colección de equipos de protección contra caídas configurados para poner a una persona fuera de peligro, evitar lesiones o limitaciones de espacio y ubicarla en un lugar seguro. No se permite sistemas de caída libre vertical.

**5 Persona competente:** Alguien capaz de identificar peligros existentes y predecibles en los alrededores o condiciones de trabajo que son insalubres o peligrosas para los empleados, y que tiene autorización para tomar medidas correctivas rápidas para eliminarlos.

**6 Usuario:** Una persona que realiza actividades mientras está protegido por un sistema de protección contra caídas.

**7 Persona autorizada:** una persona designada por el empleador para que realice tareas en una ubicación en la que la persona estará expuesta a un riesgo de caída.

**8 Rescatista:** persona o personas que no sean el sujeto a rescatar y que actúan para realizar un rescate asistido mediante la operación de un sistema de rescate.

**9 Anclaje certificado:** Un anclaje para sistemas de rescate, detención de caídas, posicionamiento o restricción que una persona calificada certifica que cumple con los criterios para un anclaje certificado según la Sección 2.1.

**10 Anclaje no certificado:** Anclaje de detención de caídas que una persona competente puede calificar como capaz de soportar las fuerzas de anclaje predeterminadas enumeradas en la Sección 2.1.



- 2.3 TRAYECTORIA DE CAÍDA Y VELOCIDAD DE BLOQUEO DEL DISPOSITIVO AUTORRETRÁCTIL:** Se requiere una trayectoria despejada para asegurar que el SRD se bloquee. Se deben evitar situaciones donde la trayectoria de una posible caída presente obstrucciones. El hecho de trabajar en espacios muy confinados o restringidos podría no permitir que el cuerpo desarrolle una velocidad suficiente para que el SRD se bloquee si se produce una caída. Trabajar sobre materiales que se mueven lentamente, como por ejemplo, arena o granos, podría no permitir que se acumule una velocidad suficiente para que se bloquee el SRD.
- 2.4 RIESGOS:** El uso de este equipo en áreas en las que existen riesgos ambientales puede requerir precauciones adicionales para evitar lesiones al usuario o daños al equipo. Algunos de los peligros son, entre otros: calor, sustancias químicas, entornos corrosivos, líneas de alta tensión, gases explosivos o tóxicos, maquinaria en movimiento, bordes afilados o materiales ubicados sobre el nivel de la cabeza que podrían caer y entrar en contacto con el usuario o el sistema personal de detención de caídas.
- 2.5 ESPACIO LIBRE DE CAÍDA:** La Figura 3 muestra los componentes de una detención de caídas. Debe haber suficiente espacio libre de caída (FC) para detener una caída antes de que el usuario golpee contra el suelo u otra obstrucción. El espacio libre se ve afectado por una serie de factores que incluyen los siguientes: ubicación del anclaje, (A) longitud de la eslinga, (B) distancia de desaceleración de la eslinga o distancia de detención máxima del SRD, (C) tensión del arnés, y longitud y estabilización del anillo en D/conector. Consulte las instrucciones incluidas en su subsistema de detención de caídas para obtener información específica sobre el cálculo del espacio libre de caída.
- 2.6 CAÍDAS POR BALANCEO:** Las caídas por balanceo ocurren cuando el punto de anclaje no está directamente por encima del punto donde ocurre la caída (consulte la Figura 4). La fuerza del golpe contra un objeto en una caída por balanceo puede causar lesiones graves e, incluso, fatales. Trabaje en un lugar situado lo más directamente posible por debajo del punto de anclaje para minimizar la posibilidad de caídas por balanceo. No permita que ocurra una caída por balanceo si pudiera causar lesiones. Las caídas por balanceo incrementarán considerablemente el espacio libre necesario cuando se utiliza un dispositivo autorretráctil u otro sistema secundario de conexión con longitud variable.
- 2.7 COMPATIBILIDAD DE LOS COMPONENTES:** el equipo 3M está diseñado para usarse exclusivamente con los componentes y sistemas secundarios 3M aprobados. Las sustituciones o los reemplazos hechos con componentes y sistemas secundarios no aprobados pueden arriesgar la compatibilidad del equipo y pueden afectar la seguridad y confiabilidad de todo el sistema.
- 2.8 COMPATIBILIDAD DE LOS CONECTORES:** Se considera que los conectores son compatibles con los elementos de conexión cuando se han diseñado para trabajar juntos de tal manera que sus tamaños y formas no provoquen que sus mecanismos de hebilla se abran de manera involuntaria, independientemente de cómo se orienten. Póngase en contacto con 3M si tiene alguna pregunta sobre la compatibilidad.

Los conectores (ganchos, mosquetones y anillos en D) deben tener capacidad para soportar al menos 22,2 kN (5,000 lbf). Los conectores deben ser compatibles con el anclaje u otros componentes del sistema. No utilice equipos que no sean compatibles. Los conectores no compatibles pueden desconectarse involuntariamente (consulte la Figura 5). Los conectores deben ser compatibles en cuanto a tamaño, forma y resistencia. Si el elemento de conexión al que se fija un gancho de seguridad o un mosquetón es más pequeño que lo debido o tiene una forma irregular, podría surgir una situación en la que el elemento de conexión aplicara una fuerza al cierre del gancho de seguridad o mosquetón (A). Esta fuerza puede hacer que se abra la hebilla (B), lo que permite que el gancho de seguridad se desconecte del punto de conexión (C).

Los ganchos de seguridad y mosquetones con cierre automático son reglamentarios según las normas ANSI Z359 y OSHA.

- 2.9 CÓMO HACER CONEXIONES:** Los mosquetones utilizados con este equipo deben ser de cierre automático. Asegúrese de que todas las conexiones sean compatibles en cuanto a tamaño, forma y resistencia. No utilice equipos que no sean compatibles. Asegúrese de que todos los conectores estén completamente cerrados y trabados.

Los conectores de 3M (ganchos de seguridad y mosquetones) están diseñados para el uso exclusivo que se especifica en las instrucciones de uso de cada producto. Consulte la Figura 6 para ver ejemplos de conexiones inadecuadas. Los ganchos de seguridad y los mosquetones no deben conectarse de la siguiente forma:

- A. A un anillo en D al que esté conectado otro conector.
- B. De manera tal que se produzca una carga sobre la hebilla. Los ganchos de seguridad de gargantas grandes no deben conectarse a anillos en D de tamaño estándar ni a objetos similares que puedan imponer una carga sobre la compuerta si el gancho o el anillo en D gira o se tuerce, a menos que el gancho de seguridad cumpla con el estándar y esté equipado con una compuerta de 16 kN (3,600 lbf). Examine la marca en el gancho de seguridad para verificar que sea apropiado para su aplicación.
- C. En un enganche falso, donde los elementos que sobresalen del gancho de seguridad o el mosquetón se sujetan del anclaje y, a primera vista, parecería que estuvieran completamente enganchados al punto de anclaje.
- D. Entre sí.
- E. Directamente a una eslinga de cuerda o entretejido de seguridad, o eslinga para autoamarre (a menos que en las instrucciones del fabricante de la eslinga y del conector se permita expresamente esa conexión).
- F. A ningún objeto pueda cuya forma dimensión sea tal que el gancho de seguridad o carabinero quede sin cerrar o trabar o que o deslizarse izarse.
- G. De modo que impidan que el conector se alinee correctamente en condiciones de carga.

### 3.0 INSTALACIÓN

*El propietario de este equipo puede contactar al departamento de Servicios Técnicos de 3M ante cualquier pregunta relacionada con la instalación, el uso o la inspección del equipo.*

*La instalación de puntos de anclaje no certificados debe ser realizada o supervisada por una persona competente<sup>1</sup>. La instalación de puntos de anclaje certificados debe ser diseñada, certificada y supervisada por una persona calificada<sup>2</sup>.*

**3.1 PLANIFICACIÓN:** Planifique su sistema de protección contra caídas antes de comenzar a trabajar. Tenga en cuenta todos los factores que pueden afectar su seguridad antes, durante y después de una caída. Considere todos los requisitos y las limitaciones que se definen en este manual.

*Utilice siempre un adaptador de amarre que tenga la longitud adecuada para la aplicación de su sistema. El uso de un adaptador de amarre que sea demasiado corto no permitirá que se envuelva completamente alrededor de la estructura. El uso de un adaptador de amarre que sea demasiado largo creará una caída libre adicional para el sistema de protección contra caídas.*

*3M pondrá a disposición, previa solicitud, la información necesaria para el diseño y la planificación de los sistemas.*

**3.2 DIRECCIÓN DE CARGA:** El adaptador de amarre y el extensor de anclaje siempre deben cargarse lo más directamente posible debajo del punto de anclaje. Consulte la Figura 8 como referencia. El adaptador de amarre y el extensor de anclaje deben soportar cargas estáticas que cumplan con los requisitos de la Sección 2.1, dentro de más o menos 3° (grados) desde la vertical.

**3.3 INSTALACIÓN DEL ADAPTADOR DE AMARRE:** Los adaptadores de amarre se pueden instalar sobre vigas estructurales y soportes que cumplan los requisitos especificados en la Tabla 1 y la Sección 2. Consulte la Figura 1 para conocer la longitud máxima de cada modelo de adaptador de amarre. Para instalar el adaptador de amarre, consulte los siguientes métodos:

*Los adaptadores de amarre solo se pueden instalar en estructuras de anclaje horizontales. No lo instale en una estructura de anclaje vertical o en ángulo porque esto puede causar que el adaptador de amarre se deslice o se desplace durante un evento de caída.*

*Evite instalar el adaptador de amarre alrededor de estructuras que tengan bordes afilados o superficies abrasivas. Cuando el contacto con este tipo de bordes o superficies sea inevitable, cubra el borde con material protector y aumente la frecuencia de inspección del anclaje.*

**AMARRE:** Este método de instalación se aplica a los modelos Tipo 1 y Tipo 4 detallados en la Figura 1. Consulte la Figura 9 a modo de referencia para la instalación. Para instalar el adaptador de amarre:

1. colóquelo sobre el anclaje seleccionado. Los conectores terminales del adaptador de amarre deben colgar debajo del anclaje como se muestra.
2. Pase el conector terminal más pequeño a través del más grande. Deslice el conector terminal grande hasta el anclaje, sobre la línea de vida sujeta al conector terminal pequeño.
3. Tire de este último hacia abajo para apretar el adaptador de amarre alrededor del anclaje. El adaptador de amarre debe quedar apretado alrededor del anclaje con el conector terminal pequeño colgando libremente. Si hay demasiada holgura, puede acortar la distancia envolviendo el adaptador de amarre alrededor del anclaje varias veces. Pase el conector terminal pequeño a través del grande en cada pasada. Cuando esté terminada la instalación, todas las conexiones al adaptador de amarre se deben hacer al conector terminal pequeño.

**DOBLE ANILLO:** Este método de instalación se aplica a los modelos Tipo 2 y Tipo 3 detallados en la Figura 1. Consulte la Figura 10 a modo de referencia para la instalación. Para instalar el adaptador de amarre:

1. colóquelo sobre el anclaje seleccionado. Los conectores terminales del adaptador de amarre deben colgar debajo del anclaje como se muestra.
2. Junte ambos extremos del adaptador de amarre y conecte el mosquetón a uno de los dos anillos en D. Asegúrese de que el mosquetón esté completamente cerrado y trabado. Cuando esté terminada la instalación, todas las conexiones al adaptador de amarre se deben hacer al anillo en D libre.

**EXTENSIÓN DEL ANCLAJE:** Este método de instalación se aplica a los modelos Tipo 5 detallados en la Figura 1. Consulte la Figura 11 a modo de referencia para la instalación. Para instalar el extensor de anclaje:

1. La extensión de anclaje puede usarse para extender un anclaje conectando el gancho de seguridad a un conector de anclaje existente y permitiendo que la extensión de anclaje cuelgue hacia abajo de forma recta. Asegúrese de que el gancho de seguridad esté completamente cerrado y trabado. Cuando esté terminada la instalación, todas las conexiones al extensor del anclaje se deben hacer al conector con junta tórica inferior.

*El extensor de anclaje debe instalarse de manera que cuelgue hacia abajo de forma recta. No debe instalarse de manera que cree una caída libre adicional durante un evento de caída. No envuelva el extensor de anclaje alrededor de la estructura.*

### 4.0 USO

**4.1 ANTES DE CADA USO:** Verifique que su área de trabajo y el sistema de protección contra caídas cumplan con todos los criterios definidos en estas instrucciones. Verifique que exista un plan de rescate formal. Inspeccione el producto según los puntos de inspección del "Usuario" definidos en el "Registro de inspección y mantenimiento". Si la inspección revela una condición insegura o defectuosa, o si existe alguna duda sobre su condición para un uso seguro, retire el producto de servicio inmediatamente. Etiquete claramente el producto con la inscripción "NO USAR". Consulte la Sección 5 para obtener más información.

- 4.2 CONEXIONES DE DETENCIÓN DE CAÍDAS:** El adaptador de amarre se usa con un arnés de cuerpo entero y una eslinga absorbidora de energía o dispositivo autorretráctil (SRD, por sus siglas en inglés). La Figura 7 ilustra la conexión de la eslinga absorbidora de energía o SRD entre el arnés y el adaptador de amarre. Envuelva el adaptador de amarre (B) alrededor del anclaje (A) y luego fije el conector del sistema secundario de conexión (C) al punto de conexión del adaptador de amarre. Conecte la eslinga absorbidora de energía o SRD al anillo en D dorsal de su arnés como se describe en las instrucciones del usuario para estos productos. Solo se puede sujetar un sistema de protección contra caídas a un punto de conexión individual a la vez.

No deje ninguna holgura en el adaptador de amarre durante su uso. El adaptador de amarre debe estar envuelto firmemente alrededor del anclaje durante el uso.

- 4.3 SISTEMAS HORIZONTALES:** Los conectores de anclaje seleccionados se pueden usar como puntos de anclaje terminales para sistemas horizontales. Los anclajes para sistemas horizontales deben estar diseñados y certificados por una persona calificada con experiencia y capacitación en el diseño y uso de sistemas de línea de vida horizontal. Los anclajes no certificados no deberán usarse para líneas de vida horizontales. Utilice solo un conector de anclaje que cumpla con los requisitos de carga, momento y dirección para ese sistema horizontal especificado. No deben usarse conectores de anclaje no fijos, deslizantes o con contrapeso con un sistema horizontal. Consulte el manual de instrucciones y el manual de instalación suministrados con su sistema de línea de vida horizontal para obtener más información sobre los requisitos del anclaje y del conector de anclaje.

## 5.0 INSPECCIÓN

Una vez que el producto se haya retirado del servicio, no se lo podrá devolver al servicio hasta que una persona competente confirme por escrito que es aceptable hacerlo.

- 5.1 FRECUENCIA DE INSPECCIÓN:** Una persona autorizada deberá inspeccionar el producto antes de cada uso y, además, deberá hacerlo una persona competente que no sea el usuario a intervalos de no más de un año. Una mayor frecuencia de uso del equipo y condiciones más severas pueden requerir aumentar la frecuencia de inspecciones por parte de la persona competente. La frecuencia de estas inspecciones la debe determinar la persona competente según las condiciones específicas del lugar de trabajo.
- 5.2 PROCEDIMIENTOS DE INSPECCIÓN:** Inspeccione este producto según los procedimientos enumerados en el "Registro de inspección y mantenimiento". La documentación de cada inspección la debe conservar el propietario de este equipo. Se debe colocar un registro de inspección y mantenimiento cerca del producto o, de otra manera, que sea de fácil acceso para los usuarios. Se recomienda que el producto se marque con la fecha de la próxima o última inspección.

El propietario de este equipo puede establecer criterios de inspección alternativos. Los criterios alternativos deben ser iguales o superiores a los establecidos por 3M en el "Registro de inspección y mantenimiento" y otros documentos oficiales.

- 5.3 DEFECTOS:** Si el producto no se puede devolver al servicio debido a un defecto existente o una condición insegura, o porque se lo ha sometido a una detención de caída, destruya el producto o comuníquese con 3M para un posible reemplazo o reparación.
- 5.4 VIDA ÚTIL DEL PRODUCTO:** La vida útil del producto está determinada por las condiciones de trabajo y el mantenimiento. Siempre y cuando el producto supere los criterios de inspección, podrá permanecer en servicio.

## 6.0 MANTENIMIENTO, REPARACIÓN Y ALMACENAMIENTO

El equipo que necesita mantenimiento o programación para mantenimiento debe estar etiquetado con la inscripción "NO USAR". Estas etiquetas del equipo no se deben quitar hasta que se realice el mantenimiento.

- 6.1 LIMPIEZA:** Los procedimientos de limpieza para el adaptador de amarre son los siguientes:
- Limpie en forma periódica los componentes metálicos del adaptador de amarre con una solución de agua tibia y jabón suave. Coloque el adaptador de amarre de modo que pueda escurrir el agua. Limpie las etiquetas si hace falta.
  - Si corresponde, limpie la línea de vida de tejido trenzado con una solución de agua y jabón suave. Enjuague y deje secar por completo al aire. No aplique calor para apurar el secado. Una acumulación excesiva de suciedad, pintura, etc. puede hacer que el sistema no funcione correctamente, y en algunos casos extremos, debilitaría la línea de vida.
- 6.2 SERVICIO TÉCNICO:** Solo 3M o las entidades autorizadas por escrito por 3M pueden hacer reparaciones a este equipo.
- 6.3 ALMACENAMIENTO Y TRANSPORTE:** Cuando no lo utilice, transporte y guarde el adaptador de amarre y todo el equipo de protección contra caídas asociado en un lugar fresco, seco y limpio, donde no quede expuesto a la luz solar directa. Evite los lugares donde pueda haber vapores de sustancias químicas. Inspeccione minuciosamente los componentes después de que haya estado almacenado por mucho tiempo.

## 7.0 ETIQUETAS y MARCAS

- 7.1 ETIQUETAS:** La Figura 12 ilustra las etiquetas presentes en cada modelo de adaptador de amarre. Las etiquetas deben reemplazarse si faltan o no son completamente legibles. La información proporcionada en cada etiqueta es la siguiente:

<b>A</b>	1) Declaración de advertencia: lea todas las instrucciones. 2) Logotipo de la empresa 3) Sitio web de la empresa
<b>B</b>	1) Declaración de advertencia: lea todas las instrucciones. 2) Logotipo de la empresa 3) Sitio web de la empresa

C	<ol style="list-style-type: none"> <li>1) Cumplimiento del producto</li> <li>2) Fecha de fabricación (año/mes)</li> <li>3) Número de lote</li> <li>4) Número de modelo</li> <li>5) Material</li> <li>6) Longitud (pies)</li> <li>7) Estándares aplicables</li> <li>8) Designación de material</li> <li>9) La longitud (pies) se identifica a través del número después de la designación del material.</li> <li>10) Capacidad según el estándar ANSI 130 lb. - 310 lb (59 kg - 140 kg)</li> <li>11) Especificaciones del producto Tipo A según el estándar ANSI Z359.18</li> </ol>
D	<ol style="list-style-type: none"> <li>1) Número de serie</li> <li>2) Registro de inspección</li> <li>3) No quite esta etiqueta.</li> </ol>
E	<ol style="list-style-type: none"> <li>1) Logotipo de la empresa</li> <li>2) Información de contacto y sitio web de la empresa</li> <li>3) Especificaciones de OSHA y ANSI</li> <li>4) Material del producto y estándares aplicables</li> <li>5) En orden: número de pieza, longitud del producto, fecha de fabricación, designación del material, número de lote, número de serie</li> <li>6) Declaración de advertencia: lea todas las instrucciones.</li> </ol>
F	<ol style="list-style-type: none"> <li>1) Especificaciones del producto Tipo A según el estándar ANSI Z359.18</li> </ol>





## **GARANTIE INTERNATIONALE DU PRODUIT, RECOURS LIMITÉ ET LIMITATION DE RESPONSABILITÉ**

**GARANTIE :** CE QUI SUIT REMPLACE TOUTES LES GARANTIES OU CONDITIONS, EXPRESSES OU IMPLICITES, Y COMPRIS LES GARANTIES OU LES CONDITIONS IMPLICITES RELATIVES À LA QUALITÉ MARCHANDE ET À L'ADAPTATION À UN USAGE PARTICULIER.

Sauf disposition contraire de la loi, les produits de protection antichute 3M sont garantis contre tout défaut de fabrication en usine et de matériaux pour une période d'un (1) an à compter de la date d'installation ou de la première utilisation par le propriétaire initial.

**RECOURS LIMITÉ :** Moyennant un avis écrit à 3M, 3M réparera ou remplacera tout produit présentant un défaut de fabrication en usine ou de matériaux, tel que déterminé par 3M. 3M se réserve le droit d'exiger le retour du produit dans ses installations afin d'évaluer la réclamation de garantie. Cette garantie ne couvre pas les dommages au produit résultant de l'usure, d'un abus ou d'une mauvaise utilisation, les dommages subis pendant l'expédition, le manque d'entretien du produit ou d'autres dommages en dehors du contrôle de 3M. 3M jugera seul de l'état du produit et des options de garantie.

Cette garantie s'applique uniquement à l'acheteur initial et est la seule garantie applicable aux produits de protection antichute de 3M. Veuillez communiquer avec le service à la clientèle de 3M de votre région pour obtenir de l'aide.

**LIMITATION DE RESPONSABILITÉ :** DANS LES LIMITES PRÉVUES PAR LES LOIS LOCALES, 3M NE SERA TENU POUR RESPONSABLE DE TOUT DOMMAGE INDIRECT, ACCESSOIRE, SPÉCIFIQUE OU CONSÉCUTIF INCLUANT, SANS S'Y LIMITER, LA PERTE DE PROFIT, LIÉS DE QUELQUE MANIÈRE AUX PRODUITS, QUELLE QUE SOIT LA THÉORIE LÉGALE INVOQUÉE.

## **GARANTÍA GLOBAL DEL PRODUCTO, REPARACIONES LIMITADAS Y LIMITACIÓN DE RESPONSABILIDAD**

**GARANTÍA:** EL SIGUIENTE TEXTO SIRVE A MODO DE GARANTÍA O CONDICIÓN, EXPLÍCITA O IMPLÍCITA, E INCLUYE LAS GARANTÍAS O CONDICIONES IMPLÍCITAS DE COMERCIALIZACIÓN O APTITUD PARA UN PROPÓSITO ESPECÍFICO.

A menos que las leyes locales indiquen lo contrario, los productos de protección contra caídas 3M tienen garantía por defectos de fábrica en la mano de obra y en los materiales durante un periodo de un año desde la fecha de instalación o desde el primer uso del propietario original.

**REPARACIONES LIMITADAS:** 3M reparará o reemplazará un producto si determina que tiene un defecto de fábrica en la mano de obra o en los materiales y tras haber recibido una notificación por escrito sobre el presunto defecto. 3M se reserva el derecho de exigir la devolución del producto a sus instalaciones para evaluar los reclamos sobre la calidad. Esta garantía no cubre los daños ocasionados por el desgaste, el abuso, el mal mantenimiento, o como consecuencia del traslado del producto, u otros daños ajenos al control de 3M. 3M será el único capaz de determinar la condición del producto y las opciones de la garantía.

Esta garantía solo se aplica al comprador original y es la única garantía válida para los productos de protección contra caídas 3M. Comuníquese con el departamento de servicio al cliente de 3M de su región para obtener ayuda.

**LIMITACIÓN DE RESPONSABILIDAD:** EN LA MEDIDA PERMITIDA POR LAS LEYES LOCALES, 3M NO SERÁ RESPONSABLE DE LOS DAÑOS INDIRECTOS, IMPREVISTOS, ESPECIALES O CONSECUENTES; ENTRE ELLOS, LA PÉRDIDA DE INGRESOS RELACIONADOS DE CUALQUIER MANERA CON LOS PRODUCTOS, INDEPENDIEMENTE DE LA TEORÍA JURÍDICA QUE SE PUDIERA INVOCAR.

## GLOBAL PRODUCT WARRANTY, LIMITED REMEDY AND LIMITATION OF LIABILITY

**WARRANTY:** THE FOLLOWING IS MADE IN LIEU OF ALL WARRANTIES OR CONDITIONS, EXPRESS OR IMPLIED, INCLUDING THE IMPLIED WARRANTIES OR CONDITIONS OF MERCHANTABILITY OR FITNESS FOR A PARTICULAR PURPOSE.

Unless otherwise provided by local laws, 3M fall protection products are warranted against factory defects in workmanship and materials for a period of one year from the date of installation or first use by the original owner.

**LIMITED REMEDY:** Upon written notice to 3M, 3M will repair or replace any product determined by 3M to have a factory defect in workmanship or materials. 3M reserves the right to require product be returned to its facility for evaluation of warranty claims. This warranty does not cover product damage due to wear, abuse, misuse, damage in transit, failure to maintain the product or other damage beyond 3M's control. 3M will be the sole judge of product condition and warranty options.

This warranty applies only to the original purchaser and is the only warranty applicable to 3M's fall protection products. Please contact 3M's customer service department in your region for assistance.

**LIMITATION OF LIABILITY:** TO THE EXTENT PERMITTED BY LOCAL LAWS, 3M IS NOT LIABLE FOR ANY INDIRECT, INCIDENTAL, SPECIAL OR CONSEQUENTIAL DAMAGES INCLUDING, BUT NOT LIMITED TO LOSS OF PROFITS, IN ANY WAY RELATED TO THE PRODUCTS REGARDLESS OF THE LEGAL THEORY ASSERTED.



Fall Protection

### USA

3833 SALA Way  
Red Wing, MN 55066-5005  
Toll Free: 800.328.6146  
Phone: 651.388.8282  
Fax: 651.388.5065  
3Mfallprotection@mmm.com

### Brazil

Rodovia Anhanguera, km 110  
Sumaré - SP  
CEP: 13181-900  
Brasil  
Phone: 0800-013-2333  
falecoma3m@mmm.com

### Mexico

Calle Norte 35, 895-E  
Col. Industrial Vallejo  
C.P. 02300 Azcapotzalco  
Mexico D.F.  
Phone: (55) 57194820  
3msaludocupacional@mmm.com

### Colombia

Compañía Latinoamericana de Seguridad S.A.S.  
Carrera 106 #15-25 Interior 105 Manzana 15  
Zona Franca - Bogotá, Colombia  
Phone: 57 1 6014777  
fallprotection-co@mmm.com

### Canada

260 Export Boulevard  
Mississauga, ON L5S 1Y9  
Phone: 905.795.9333  
Toll-Free: 800.387.7484  
Fax: 888.387.7484  
3Mfallprotection-ca@mmm.com

### EMEA (Europe, Middle East, Africa)

*EMEA Headquarters:*  
Le Broc Center  
Z.I. 1re Avenue - BP15  
06511 Carros Le Broc Cedex  
France  
Phone: + 33 04 97 10 00 10  
Fax: + 33 04 93 08 79 70  
informationfallprotection@mmm.com

### Australia & New Zealand

137 McCredie Road  
Guildford  
Sydney, NSW, 2161  
Australia  
Toll-Free : 1800 245 002 (AUS)  
Toll-Free : 0800 212 505 (NZ)  
3msafetyau@mmm.com

### Asia

*Singapore:*  
1 Yishun Avenue 7  
Singapore 768923  
Phone: +65-6450 8888  
Fax: +65-6552 2113  
TotalFallProtection@mmm.com

### China:

38/F, Maxdo Center, 8 Xing Yi Rd  
Shanghai 200336, P R China  
Phone: +86 21 62753535  
Fax: +86 21 52906521  
3MFallProtection-CN@mmm.com

### Korea:

3M Korea Ltd  
20F, 82, Uisadang-daero,  
Yeongdeungpo-gu, Seoul  
Phone: +82-80-033-4114  
Fax: +82-2-3771-4271  
TotalFallProtection@mmm.com

### Japan:

3M Japan Ltd  
6-7-29, Kitashinagawa, Shinagawa-ku, Tokyo  
Phone: +81-570-011-321  
Fax: +81-3-6409-5818  
psd.jp@mmm.com

WEBSITE:  
[3M.com/FallProtection](http://3M.com/FallProtection)



EU DECLARATION OF CONFORMITY:  
[3M.com/FallProtection/DOC](http://3M.com/FallProtection/DOC)