



ANSI/ASSE Z359.11-2014

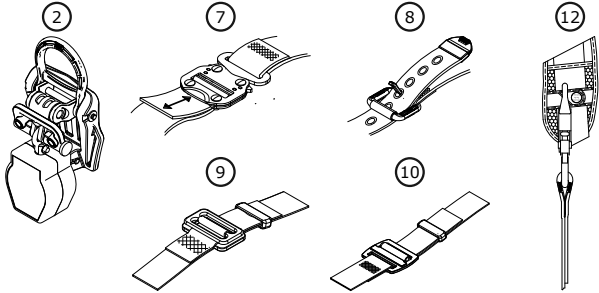


EXOFIT & EXOFIT XP FULL BODY HARNESS

USER INSTRUCTION MANUAL

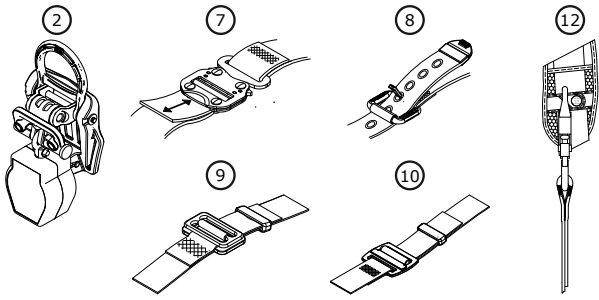
Fall Protection

1



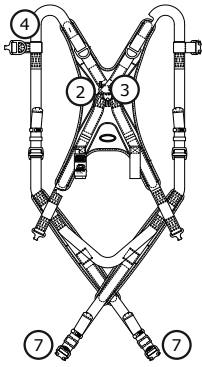
Models	Size						Attachment Elements					Buckles			Belt & Pad			
	Crossover	XS	SM	MED	LG	XL	2XL	Suspension Seat	EZ Link	Dorsal	Sternal	Shoulder	Hip	Quick Connect		Tongue Buckle	Pass-Thru Buckle	Torso Adjuster
1140000 - 1140005		✓						✓	✓					✓				✓
1140006 - 1140011			✓					✓	✓					✓				✓
1140012 - 1140017				✓				✓	✓					✓				✓
1140018 - 1140023					✓			✓	✓					✓				✓
1140024 - 1140029			✓					✓	✓					✓				✓
1140030 - 1140035				✓				✓	✓					✓				✓
1140036 - 1140041					✓			✓	✓					✓				✓
1140042 - 1140047			✓					✓	✓					✓				✓
1140048 - 1140053				✓				✓	✓					✓				✓
1140054 - 1140059					✓			✓	✓					✓				✓
1140060 - 1140065						✓		✓	✓					✓				✓
1140066 - 1140071							✓	✓	✓					✓				✓
1140072 - 1140077								✓	✓					✓				✓
1140078 - 1140083								✓	✓					✓				✓
1140084 - 1140089								✓	✓					✓				✓
1140090 - 1140095								✓	✓					✓				✓
1140096 - 1140101								✓	✓					✓				✓
1140102 - 1140107								✓	✓					✓				✓
1140108 - 1140113								✓	✓					✓				✓
1140114 - 1140119								✓	✓					✓				✓
1140120 - 1140125								✓	✓					✓				✓
1140126 - 1140131								✓	✓					✓				✓
1140132 - 1140137								✓	✓					✓				✓
1140138 - 1140143								✓	✓					✓				✓
1140144 - 1140149								✓	✓					✓				✓
1140150 - 1140155								✓	✓					✓				✓
1140156 - 1140161								✓	✓					✓				✓
1140162 - 1140167								✓	✓					✓				✓
1140168 - 1140173								✓	✓					✓				✓
1140174 - 1140179								✓	✓					✓				✓
1140180 - 1140185								✓	✓					✓				✓
1140186 - 1140191								✓	✓					✓				✓
1140192 - 1140197								✓	✓					✓				✓
1140198 - 1140203								✓	✓					✓				✓
1140204 - 1140209								✓	✓					✓				✓
1140210 - 1140215								✓	✓					✓				✓
1140216 - 1140221								✓	✓					✓				✓
1140222 - 1140227								✓	✓					✓				✓
1140228 - 1140233								✓	✓					✓				✓
1140234 - 1140239								✓	✓					✓				✓
1140240 - 1140245								✓	✓					✓				✓
1140246 - 1140251								✓	✓					✓				✓
1140252 - 1140257								✓	✓					✓				✓
1140258 - 1140263								✓	✓					✓				✓
1140264 - 1140269								✓	✓					✓				✓
1140270 - 1140275								✓	✓					✓				✓
1140276 - 1140281								✓	✓					✓				✓
1140282 - 1140287								✓	✓					✓				✓
1140288 - 1140293								✓	✓					✓				✓
1140294 - 1140299								✓	✓					✓				✓
1140300 - 1140305								✓	✓					✓				✓
1140306 - 1140311								✓	✓					✓				✓
1140312 - 1140317								✓	✓					✓				✓
1140318 - 1140323								✓	✓					✓				✓
1140324 - 1140329								✓	✓					✓				✓
1140330 - 1140335								✓	✓					✓				✓
1140336 - 1140341								✓	✓					✓				✓
1140342 - 1140347								✓	✓					✓				✓
1140348 - 1140353								✓	✓					✓				✓
1140354 - 1140359								✓	✓					✓				✓
1140360 - 1140365								✓	✓					✓				✓
1140366 - 1140371								✓	✓					✓				✓
1140372 - 1140377								✓	✓					✓				✓
1140378 - 1140383								✓	✓					✓				✓
1140384 - 1140389								✓	✓					✓				✓
1140390 - 1140395								✓	✓					✓				✓
1140396 - 1140401								✓	✓					✓				✓
1140402 - 1140407								✓	✓					✓				✓
1140408 - 1140413								✓	✓					✓				✓



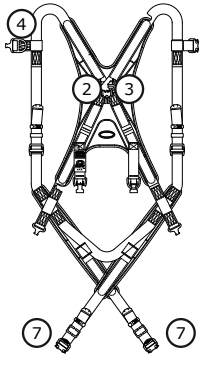


Models	Size						Attachment Elements					Buckles				Belt & Hip Pad	
	XS	SM	MED	LG	XL	2XL	1 Suspension Seat	2 EZ Link	3 Dorsal	4 Sternal	5 Shoulder	6 Hip	7 Quick Connect	8 Tongue Buckle	9 Pass-Thru Buckle		10 Torso Adjuster
1140042	✓						✓	✓	✓		✓			✓		✓	
1140043		✓					✓	✓	✓		✓			✓		✓	
1140044			✓				✓	✓	✓		✓			✓		✓	
1140045				✓			✓	✓	✓		✓			✓		✓	
1140046					✓		✓	✓	✓		✓			✓		✓	
1140047						✓	✓	✓	✓		✓			✓		✓	
1140054	✓						✓	✓	✓		✓			✓		✓	✓
1140055		✓					✓	✓	✓		✓			✓		✓	✓
1140056			✓				✓	✓	✓		✓			✓		✓	✓
1140057				✓			✓	✓	✓		✓			✓		✓	✓
1140058					✓		✓	✓	✓		✓			✓		✓	✓
1140059						✓	✓	✓	✓		✓		✓		✓	✓	✓
1140060	✓						✓	✓	✓		✓			✓		✓	✓
1140061		✓					✓	✓	✓		✓		✓		✓	✓	✓
1140062			✓				✓	✓	✓		✓			✓		✓	✓
1140063				✓			✓	✓	✓		✓			✓		✓	✓
1140064					✓		✓	✓	✓		✓			✓		✓	✓
1140065						✓	✓	✓	✓		✓			✓		✓	✓
1140066	✓						✓	✓	✓	✓	✓			✓		✓	✓
1140067		✓					✓	✓	✓	✓	✓			✓		✓	✓
1140068			✓				✓	✓	✓	✓	✓			✓		✓	✓
1140069				✓			✓	✓	✓	✓	✓			✓		✓	✓
1140070					✓		✓	✓	✓	✓	✓			✓		✓	✓
1140071						✓	✓	✓	✓		✓	✓		✓		✓	✓
1140078	✓						✓	✓	✓		✓		✓		✓		✓
1140079		✓					✓	✓	✓		✓		✓		✓		✓
1140080			✓				✓	✓	✓		✓		✓		✓		✓
1140081				✓			✓	✓	✓		✓		✓		✓		✓
1140082					✓		✓	✓	✓		✓		✓		✓		✓
1140083						✓	✓	✓	✓		✓		✓		✓		✓
1140084	✓						✓	✓	✓		✓		✓		✓		✓
1140085		✓					✓	✓	✓		✓		✓		✓		✓
1140086			✓				✓	✓	✓		✓		✓		✓		✓
1140087				✓			✓	✓	✓		✓		✓		✓		✓
1140088					✓		✓	✓	✓		✓		✓		✓		✓
1140089						✓	✓	✓	✓		✓		✓		✓		✓
1140090	✓						✓	✓	✓		✓		✓		✓		✓
1140091		✓					✓	✓	✓		✓		✓		✓		✓
1140092			✓				✓	✓	✓		✓		✓		✓		✓
1140093				✓			✓	✓	✓		✓		✓		✓		✓
1140094					✓		✓	✓	✓		✓		✓		✓		✓
1140095						✓	✓	✓	✓		✓		✓		✓		✓
1140096	✓	✓					✓	✓	✓		✓		✓		✓		✓
1140097	✓		✓				✓	✓	✓		✓		✓		✓		✓
1140098	✓			✓			✓	✓	✓		✓		✓		✓		✓
1140099	✓				✓		✓	✓	✓		✓		✓		✓		✓
1140100	✓					✓	✓	✓	✓		✓		✓		✓		✓
1140101	✓					✓	✓	✓	✓		✓		✓		✓		✓

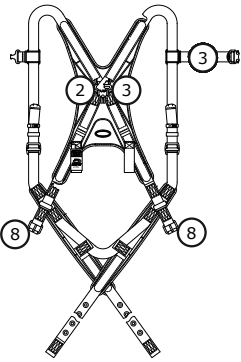
1140060 - 1140065



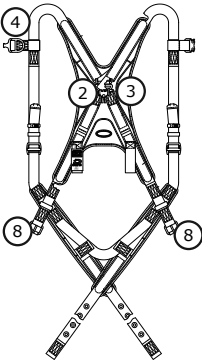
1140066 - 1140071



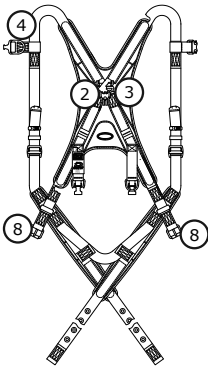
1140078 - 1140083



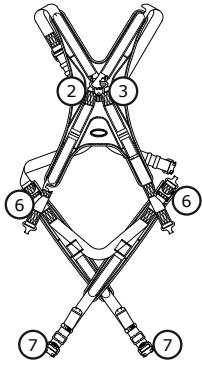
1140084 - 1140089



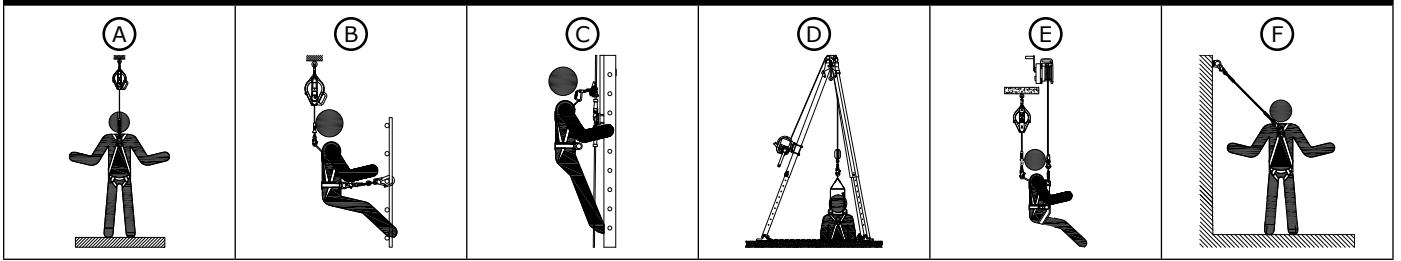
1140090 - 1140095



1140096 - 11400101

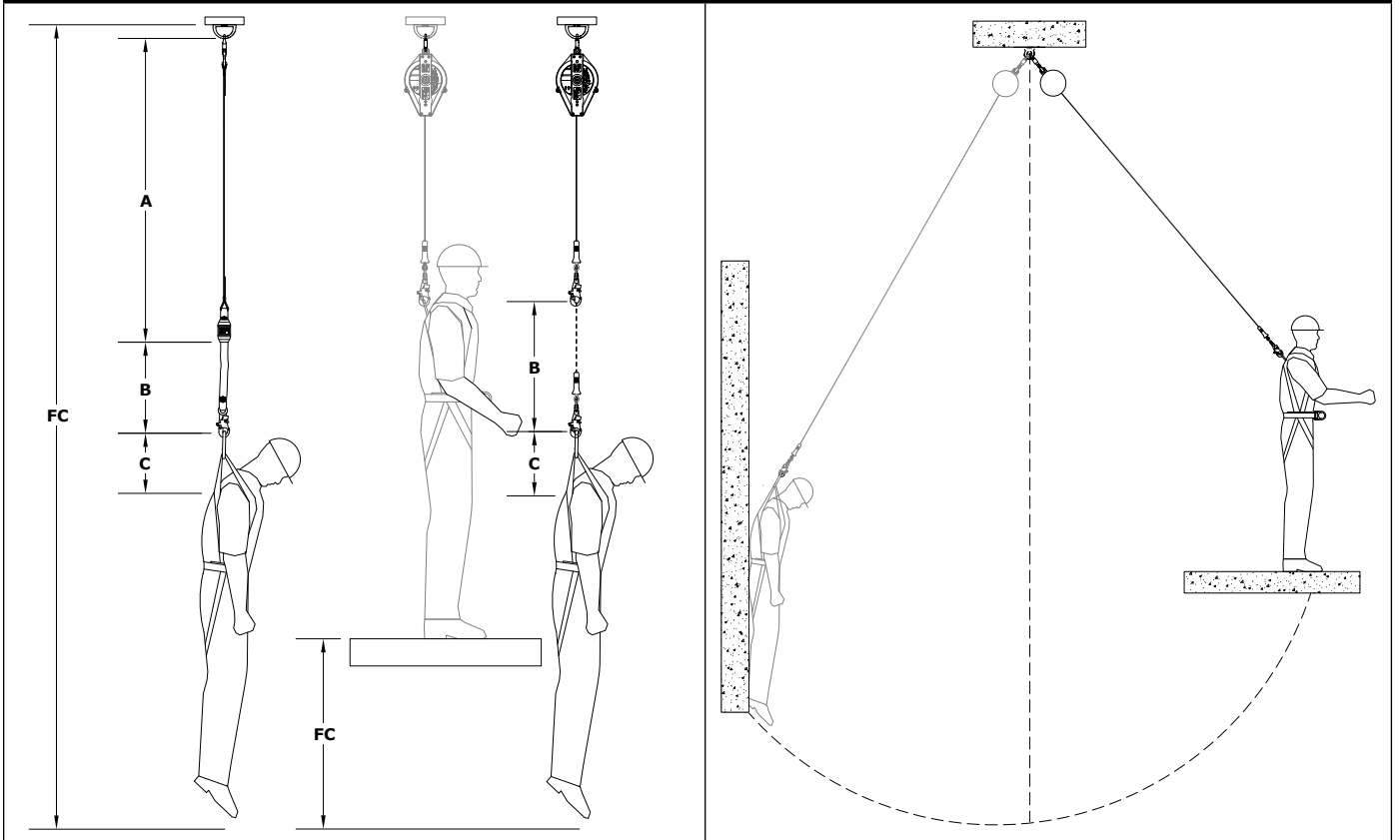


2



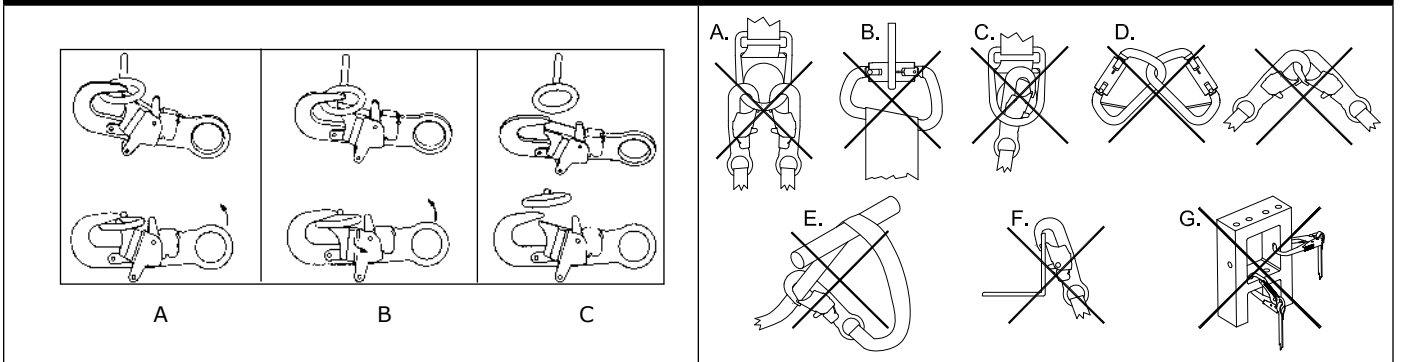
3

4

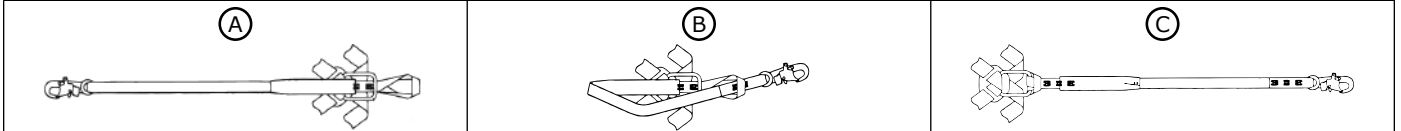


5

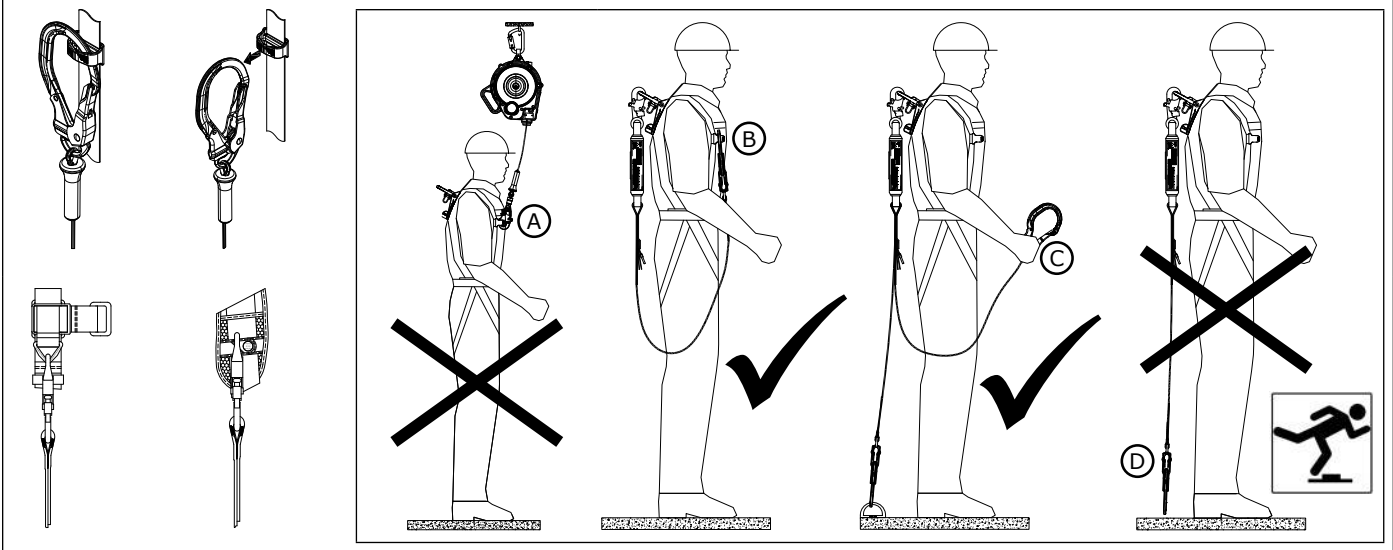
6



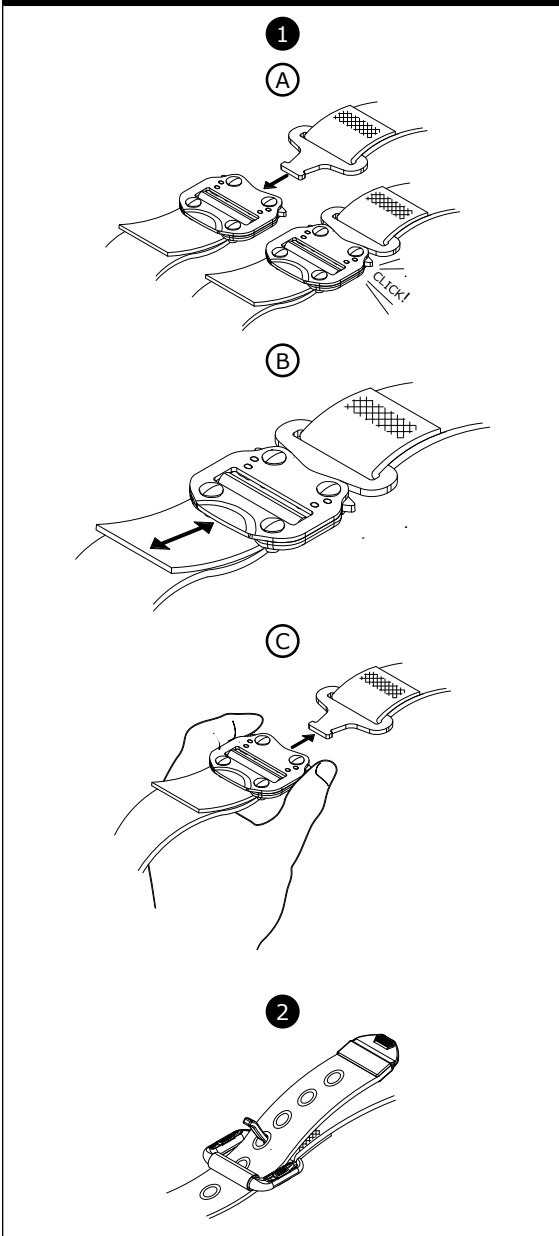
7



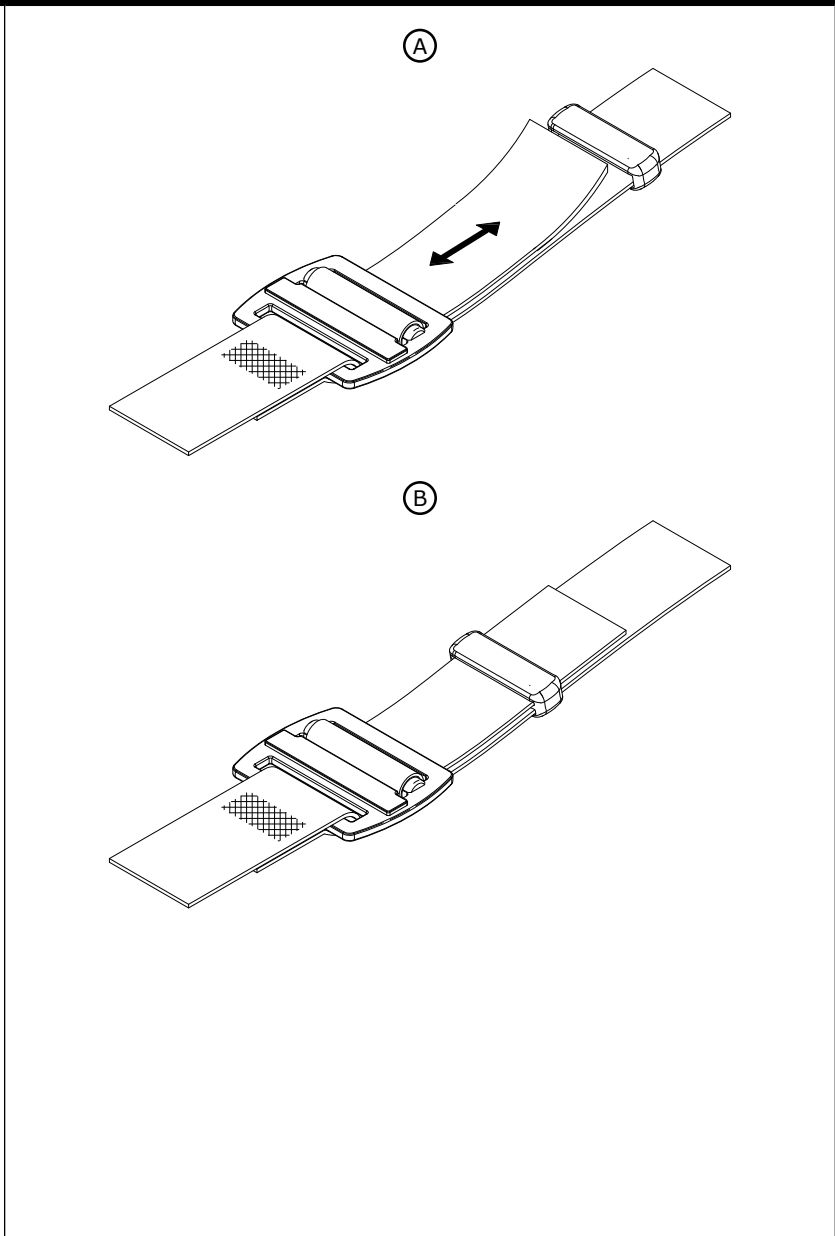
8



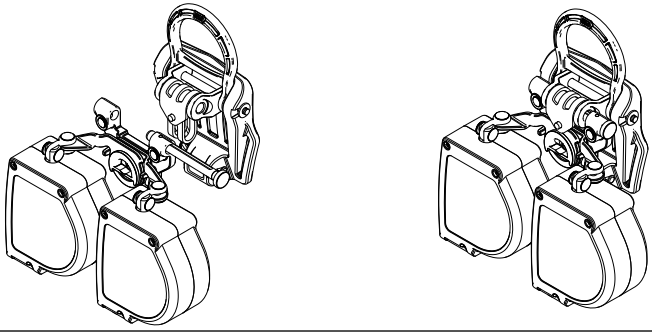
9



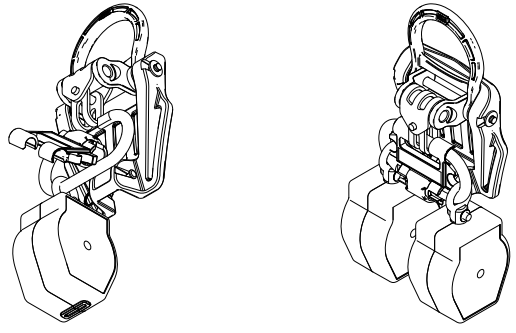
10



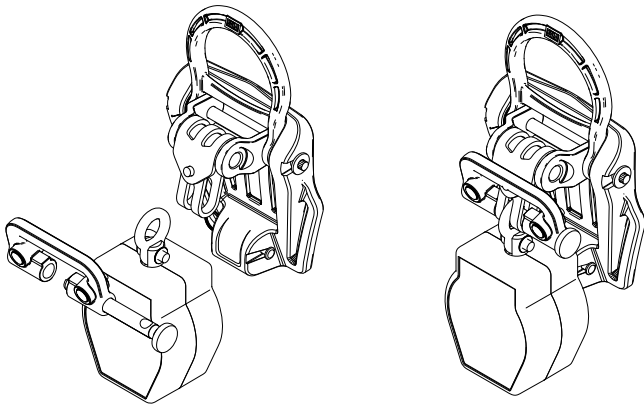
A



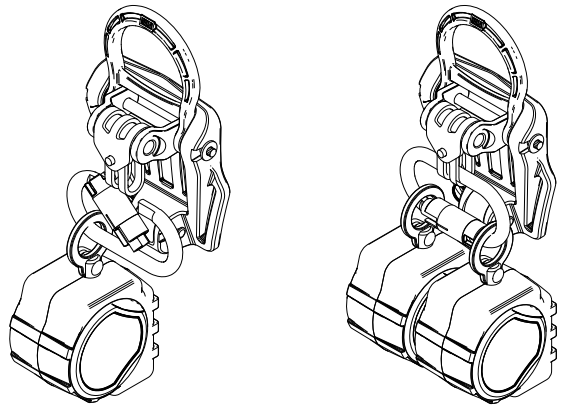
B



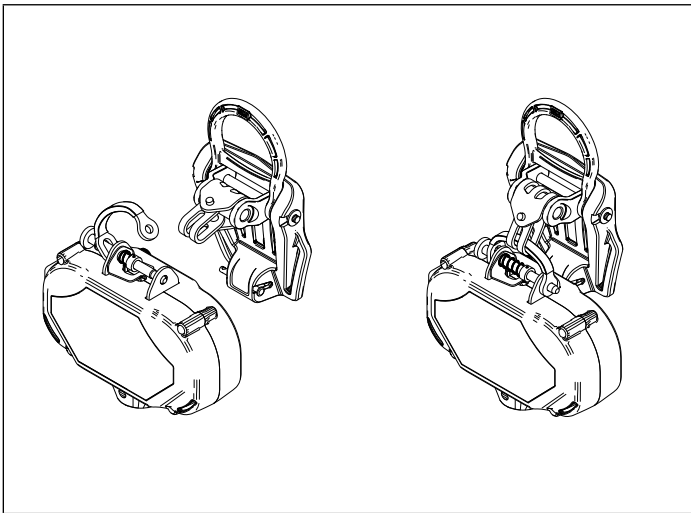
C

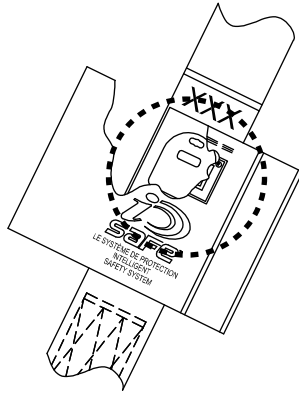


D



E





1



2



3



4

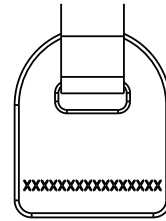
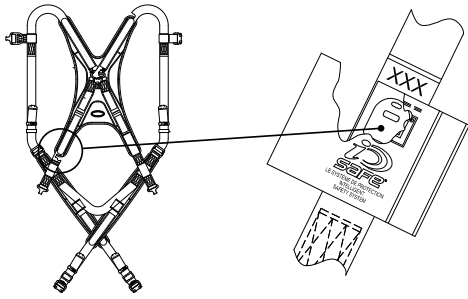


5



6





SERIAL NO.: SEE RFID TAG

INITIAL									
DATE									

INSPECTION LOG

9503011 Rev. D

- A - Dorsal attachment element is for fall arrest, travel restraint, or rescue.
- B - Sternal attachment element is for fall arrest (feet first falls only, 2 ft. maximum free fall), travel restraint, or rescue.
- C - Frontal attachment element is for fall arrest (feet first falls only, 2 ft. maximum free fall), work positioning, travel restraint, or rescue.
- D - Shoulder attachment elements are for rescue or entry/retrieval.
- E - Waist, rear attachment element is for travel restraint.
- F - Hip attachment elements are for work positioning or travel restraint.

9503020 Rev. E

ANSI Z359.11-2014
ANSI Z359 Recognizes the use of this harness only within the capacity range of:
130-310 lbs.

Model No.: Mfrd.(yr/mo): Lot: Stds:

PRODUCT COMPLIANCE	DO NOT REMOVE THIS LABEL
This product complies with the following standards only if marked with the corresponding letter code under the "Stds" section.	
A = ANSI Z359.1	D = ASTM F887
B = OSHA	E = ANSI Z359.3
C = ANSI A10.32	F = ANSI Z359.4
	G = ANSI Z359.11

USER IDENTIFICATION
 Mark label with permanent marker _____

9500340 Rev. K

⚠ WARNING Manufacturer's instructions must be read and understood prior to use. Instructions supplied with this product at time of shipment must be followed. Failure to do so could result in serious injury or death. Contact Capital Safety if instruction sheet is needed. Inspect before each use. Do not use if wear or damage is present. This body harness is intended to be used to arrest the most severe free falls. Items subjected to fall arrest or impact forces must be immediately removed from service and destroyed. Connecting snap and D-Ring must be compatible in size, shape, and strength. This item is not flame or heat resistant. Repairs only to be performed by Capital Safety. Equipment modification or misuse voids warranty.

DBI SALA
 www.capitalsafety.com
 Capital Safety
 Red Wing, MN, USA
 +1-800-328-6146

Full Body Harness
 Material: Polyester Webbing
 ANSI Capacity: 130-310 lbs.
 OSHA Capacity: 420 lbs.

⚠ WARNING
 Do not exceed the capacity of this or other system components. Capacity is the combined weight for which the component is designed to be used. Combined weight includes the user's body weight, clothing, tools, and any objects carried. Contact Capital Safety for more information.

DO NOT REMOVE LABEL

SAFETY INFORMATION

Please read, understand, and follow all safety information contained in these instructions prior to the use of this Full Body Harness. FAILURE TO DO SO COULD RESULT IN SERIOUS INJURY OR DEATH.

These instructions must be provided to the user of this equipment. Retain these instructions for future reference.

Intended Use:

This Full Body Harness is intended for use as part of a complete personal fall protection system.

Use in any other application including, but not limited to, material handling, recreational or sports related activities, or other activities not described in the User Instructions, is not approved by 3M and could result in serious injury or death.

This device is only to be used by trained users in workplace applications.

WARNING

This Full Body Harness is part of a personal fall protection system. It is expected that all users be fully trained in the safe installation and operation of their personal fall protection system. **Misuse of this device could result in serious injury or death.** For proper selection, operation, installation, maintenance, and service, refer to these User Instructions and all manufacturer recommendations, see your supervisor, or contact 3M Technical Service.

- **To reduce the risks associated with working with a Full Body Harness which, if not avoided, could result in serious injury or death:**
 - Inspect the device before each use, at least annually, and after any fall event. Inspect in accordance with the User Instructions.
 - If inspection reveals an unsafe or defective condition, remove the device from service and destroy it.
 - Any device that has been subject to fall arrest or impact force must be immediately removed from service and destroyed.
 - Ensure the harness is worn correctly, appropriately sized, and properly adjusted.
 - Ensure all connecting subsystems (e.g. lanyards) are kept free from all hazards including, but not limited to, entanglement with other workers, yourself, moving machinery, or other surrounding objects.
 - Ensure that fall protection systems/subsystems assembled from components made by different manufacturers are compatible and meet the requirements of applicable standards, including the ANSI Z359 or other applicable fall protection codes, standards, or requirements. Always consult a Competent or Qualified Person before using these systems.
- **To reduce the risks associated with working at height which, if not avoided, could result in serious injury or death:**
 - Ensure your health and physical condition allow you to safely withstand all of the forces associated with working at height. Consult with your doctor if you have any questions regarding your ability to use this equipment.
 - Never exceed allowable capacity of your fall protection equipment.
 - Never exceed maximum free fall distance of your fall protection equipment.
 - Do not use any fall protection equipment that fails pre-use or other scheduled inspections, or if you have concerns about the use or suitability of the equipment for your application. Contact 3M Technical Services with any questions.
 - Some subsystem and component combinations may interfere with the operation of this equipment. Only use compatible connections. Consult 3M prior to using this equipment in combination with components or subsystems other than those described in the User Instructions.
 - Use extra precautions when working around moving machinery (e.g. top drive of oil rigs), electrical hazards, extreme temperatures, chemical hazards, explosive or toxic gases, sharp edges, or below overhead materials that could fall onto you or your fall protection equipment.
 - Use Arc Flash or Hot Works devices when working in high heat environments.
 - Avoid surfaces and objects that can damage the user or equipment.
 - Ensure there is adequate fall clearance when working at height.
 - Never modify or alter your fall protection equipment. Only 3M or parties authorized in writing by 3M may make repairs to the equipment.
 - Prior to use of fall protection equipment, ensure a rescue plan is in place which allows for prompt rescue if a fall event occurs.
 - If a fall event occurs, immediately seek medical attention for the worker who has fallen.
 - Do not use a body belt for fall arrest applications. Use only a Full Body Harness.
 - Minimize swing falls by working as directly below the anchorage point as possible.
 - If training with this device, a secondary fall protection system must be utilized in a manner that does not expose the trainee to an unintended fall hazard.
 - Always wear appropriate personal protective equipment when installing, using, or inspecting the device/system.

Before using this equipment, record the product identification information from the ID label in the "Inspection and Maintenance Log" at the back of this manual.

DESCRIPTION

Figure 1 defines available ExoFit™ & Exofit XP™ Full Body Harness models. Harness models are available with various combinations of the following features:

	Figure 1 Reference:	Description:
Sizes	SM, MED, LG, XL, 2XL	Small, Medium, Large, Extra Large, Extra Extra Large
Attachment Elements	①	Suspension Seat
	②	EZ-Link
	③	Dorsal D-Ring
	④	Sternal D-Ring
	⑤	Shoulder
	⑥	Hip
Buckles	⑦	Quick Connect
	⑧	Tongue Buckle
	⑨	Pass-Thru Buckle
	⑩	Torso Adjuster
Belt & Pads	⑪	Belt and Hip Pad
Other	⑫	Lanyard Parking Element

SPECIFICATIONS

Performance:	
Maximum Free Fall Distance	1.8 m (6 ft)
Maximum Arresting Force	6 kN (1,349 lbs)
Capacity	140 kg (310 lbs)

Materials:	
Webbing	Polyester - 27 kN (6,000 lbs) Tensile Strength Nylon - 31 kN (7,000 lbs) Tensile Strength
Pad Covers	Blend of Nylon and Polyester
Label Cover	Blend of Nylon and Polyester
Thread	Polyester Thread on Polyester Webbing Nylon Thread on Nylon Webbing
D-Rings	Steel Alloy - 22 kN (5,000 lbs) Tensile Strength
Pass-Thru Buckle	Alloy Steel
Torso Adjuster	Alloy Steel - 18 kN (4,000 lbs) Tensile Strength

1.0 APPLICATIONS

1.1 PURPOSE: Full Body Harnesses are to be used as components in Personal Fall Protection System designed to prevent a fall or safely arrest a fall (see Figure 2). Full Body Harnesses are used in the following applications:

(A)	<p>Fall Arrest: Personal fall arrest systems typically include a Full Body Harness and a connecting subsystem (Energy Absorbing Lanyard, Self-Retracting Device, etc.). Maximum arresting force must not exceed 1,800 lbs (8 kN).</p> <p><i>Attachment Elements:</i> Dorsal (feet first with a 2 ft. maximum free fall when using a Self-Retracting Device or 6 ft. maximum free fall when using an Energy Absorbing Lanyard), Sternal (feet first with a 2 ft. maximum free fall), Frontal (feet first with a 2 ft. maximum free fall).</p>
(B)	<p>Work Positioning: Work positioning systems typically include a Full Body Harness, positioning lanyard, and a back-up personal fall arrest system. For work positioning applications, connect the work positioning subsystem (example: lanyard, Y-lanyard, etc.) to the lower (hip level) side or belt mounted work positioning attachment anchorage elements (D-Rings). Never use these connection points for fall arrest.</p> <p><i>Attachment Elements:</i> Frontal, Hip.</p>
(C)	<p>Climbing: The Full Body Harness is used as a component of a climbing system to prevent the user from falling when climbing a ladder or other climbing structure. Climbing systems typically include a Full Body Harness, vertical cable or rail attached to the structure, and climbing sleeve. For ladder climbing applications, harnesses equipped with a frontal D-Ring in the sternal location may be used for fall arrest on fixed ladder climbing systems.</p> <p><i>Attachment Elements:</i> Sternal</p>
(D)	<p>Rescue: The Full Body Harness is used as a component of a rescue system. Rescue systems are configured depending on the type of rescue. For limited access (confined space) applications, harnesses equipped with D-Rings on the shoulders may be used for entry and egress into confined spaces where worker profile is an issue.</p> <p><i>Attachment Elements:</i> Dorsal, Sternal, Frontal, Shoulder</p>
(E)	<p>Controlled Descent: For controlled descent applications, harnesses equipped with a single sternal level D-Ring, one or two frontal mounted D-Rings, or a pair of connectors originating below the waist (such as a seat sling) may be used for connection to a descent or evacuation system.</p> <p><i>Attachment Elements:</i> Dorsal Sternal, Frontal</p>
(F)	<p>Restraint: The Full Body Harness is used as a component of a restraint system to prevent the user from reaching a fall hazard. Restraint systems typically include a Full Body Harness and a lanyard or restraint line.</p> <p><i>Attachment Elements:</i> Dorsal, Sternal, Frontal, Hip</p>
<input checked="" type="checkbox"/>	<p>Certain application and work conditions require the use of Full Body Harnesses with specific attributes:</p> <ul style="list-style-type: none"> • Full body harnesses with Kevlar web should be used when working with tools, materials, or environments of high temperature (foundries, chemical manufacturing, steel fabrication, emergency rescue services, fire services, welders, oil industry, nuclear industry, explosives). • Harnesses with PVC coated hardware should be used when working in explosive or electrically conductive environments, or where surfaces must be protected from the hardware. • Harnesses with high visibility webbing should be used when increased visibility of the user is required.

1.2 STANDARDS: Harnesses included in this manual conform to the standard(s) identified on the cover of this instruction.

1.3 TRAINING: It is the responsibility of the user and the purchaser of this equipment to assure that they are familiar with these instructions, trained in the correct care and use of, and are aware of the operating characteristics, application limits, and the consequences of improper use of this equipment.

1.4 LIMITATIONS: Always consider the following application limitations before using this equipment:

- **CAPACITY:** The Full Body Harness is designed for use by persons with a combined weight (clothing, tools, etc.) ranging from 130 lbs (59 kg) to 310 lbs (140 kg)¹. Make sure all of the components in your system are rated to a capacity appropriate to your application.
- **FREE FALL:** Personal fall arrest systems used with this equipment must be rigged to limit the free fall to 6 feet (1.8 m)². Restraint systems must be rigged so that no vertical free fall is possible. Work positioning systems must be rigged so that free fall is limited to 2 feet (.6 m) or less. Personnel riding systems must be rigged so that no vertical free fall is possible. Climbing systems must be rigged so that free fall is limited to 18 in. (.46 m) or less. Rescue systems must be rigged so that no vertical free fall is possible. See subsystem manufacturer's instructions for more information.
- **FALL CLEARANCE:** Figure 3 illustrates the components of a Fall Arrest. There must be sufficient Fall Clearance (FC) to arrest a fall before the user strikes the ground or other obstruction. Clearance is affected by a number of factors including: (A) Lanyard Length, (B) Lanyard Deceleration Distance or SRL Maximum Arrest Distance, (C) Harness Stretch and D-Ring/Connector Length and Settling (typically a Safety Factor of 1.5 ft). Refer to the instructions included with your Lanyard or Self-Retracting Device for specifics regarding Fall Clearance calculation.
- **SWING FALLS:** Swing Falls occur when the anchorage point is not directly above the point where a fall occurs (see Figure 4). The force of striking an object in a swing fall may cause serious injury or death. Minimize swing falls by working as directly below the anchorage point as possible. Do not permit a swing fall if injury could occur. Swing falls will significantly increase the clearance required when a Self-Retracting Device or other variable length connecting subsystem is used.
- **EXTENDED SUSPENSION:** A Full Body Harness is not intended for use in extended suspension applications. If the user is going to be suspended for an extended length of time it is recommended that some form of seat support be used. 3M recommends a seat board, suspension work seat, seat sling, or a boatswain chair. Contact 3M for more information on these items.
- **ENVIRONMENTAL HAZARDS:** Use of this equipment in areas with environmental hazards may require additional precautions to prevent injury to the user or damage to the equipment. Hazards may include, but are not limited to; heat, chemicals, corrosive environments, high voltage power lines, gases, moving machinery, and sharp edges. Although PVC coated and zinc plated hardware exhibit excellent corrosion resistance in chemical, acidic, alkaline, and atmospheric conditions, frequent inspections may be required. Consult with 3M if you question the use of this equipment in hazardous environments.
- **HARNESSES FOR HIGH TEMPERATURE ENVIRONMENTS:** Harnesses with Kevlar webbing are designed for use in high temperature environments, with limitations: Kevlar webbing begins to char at 800° to 900° Fahrenheit. Kevlar webbing can withstand limited contact exposure to temperatures up to 1,000° F. Polyester webbing loses strength at 300° to 400° F. PVC coating on hardware has a melting point of approximately 350° F. When working with tools, materials, or in high temperature environments, ensure that associated fall protection equipment can withstand high temperatures, or provide protection for those items.

¹ **Capacity:** 310 lbs (140 kg) is the maximum capacity allowed by ANSI/ASSE Z359.11. 3M harnesses are factory tested to a maximum capacity of 420 lbs (191 kg).

² **Fall Arrest Free Falls:** Free falls greater than 6 ft. (1.8 m) may be permitted when users are secured to the anchorage with a connecting subsystem which limits maximum arresting force to 1,800 lbs (8 kN) and is authorized for such use (i.e., DBI-SALA Force 2™ Lanyards).

2.0 SYSTEM USE

- 2.1 RESCUE PLAN:** When using this equipment and connecting subsystem(s), the employer must have a rescue plan and the means at hand to implement and communicate that plan to users³, authorized persons⁴, and rescuers⁵.
- 2.2 INSPECTION FREQUENCY:** The Full Body Harness shall be inspected by the user before each use and by a competent person⁶ other than the user at intervals of no more than one year⁷. Inspection procedures are described in the "Inspection and Maintenance Log". Results of each Competent Person inspection should be recorded on copies of the "Inspection and Maintenance Log" or tracked with a Radio Frequency Identification (RFID) system (see "Inspection").
- 2.3 COMPATIBILITY OF COMPONENTS:** 3M equipment is designed for use with 3M approved components and subsystems only. Substitutions or replacements made with non-approved components or subsystems may jeopardize compatibility of equipment and may effect the safety and reliability of the complete system.

- 2.4 COMPATIBILITY OF CONNECTORS:** Connectors are compatible with connecting elements when they have been designed to work together in such a way that their sizes and shapes do not cause their gate mechanisms to inadvertently open regardless of how they become oriented. Contact Capital Safety if you have any questions about compatibility.

Connectors (hooks, carabiners, and D-Rings) must be capable of supporting at least 5,000 lbs. (22.2 kN). Connectors must be compatible with the anchorage or other system components. Do not use equipment that is not compatible. Non-compatible connectors may unintentionally disengage (See Figure 5). Connectors must be compatible in size, shape, and strength. If the connecting element to which a snap hook (shown) or carabiner attaches is undersized or irregular in shape, a situation could occur where the connecting element applies a force to the gate of the snap hook or carabiner. This force may cause the gate (of either a self-locking or a non-locking snap hook) to open, allowing the snap hook or carabiner to disengage from the connecting point. Self-locking snap hooks and carabiners are required.

- 2.5 MAKING CONNECTIONS:** Use only self-locking snap hooks and carabiners with this equipment. Use only connectors that are suitable for each application. Ensure all connections are compatible in size, shape and strength. Do not use equipment that is not compatible. Ensure all connectors are fully closed and locked.

3M connectors (snap hooks and carabiners) are designed to be used only as specified in each product's user's instructions. See Figure 6 for inappropriate connections. 3M snap hooks and carabiners should not be connected:

- A. To a D-Ring to which another connector is attached.
 - B. In a manner that would result in a load on the gate.
 - C. In a false engagement, where features that protrude from the snap hook or carabiner catch on the anchor, and without visual confirmation seems to be fully engaged to the anchor point.
 - D. To each other.
 - E. Directly to webbing or rope lanyard or tie-back (unless the manufacturer's instructions for both the lanyard and connector specifically allows such a connection).
 - F. To any object which is shaped or dimensioned such that the snap hook or carabiner will not close and lock, or that roll-out could occur.
 - G. In a manner that does not allow the connector to align properly while under load.
- 2.6 CONNECTING SUBSYSTEMS:** Connecting subsystems (self-retracting lifeline, lanyard, rope grab and lifeline, cable sleeve, etc.) must be suitable for your application (See section 1.1). See the subsystem manufacturer's instructions for additional information. Some harness models have web loop connection points. Do not use snap hooks to connect to web loops. Use a self-locking carabiner to connect to a web loop. Ensure the carabiner cannot cross-gate load (load against the gate rather than along the major axis of the carabiner). Some lanyards are designed to choke onto a web loop to provide a compatible connection. Lanyards may be sewn directly to the web loop forming a permanent connection. Do not make multiple connections onto one web loop, unless choking two lanyards onto a properly sized web loop. To choke the lanyard on a web loop (Figure 7): A) Insert the lanyard web loop through the web loop or D-Ring on the harness. B) Insert the appropriate end of the lanyard through the lanyard web loop. C) Pull the lanyard through the connecting web loop to secure.
- 2.7 LANYARD PARKING ATTACHMENT:** Figure 8 illustrates Lanyard Parking. The Lanyard Parking Attachment is for attaching the free end of a Lanyard or harness mounted Self-Retracting Device when not connected to an Anchorage Connection Point for purposes of fall protection. Lanyard Parking Attachments must never be used as a Fall Protection Attachment Element on the Harness for connecting a Lanyard or Self-Retracting Device (A).

When not connected to an Anchorage Connection Point, an unconnected Lanyard Leg must be properly parked on the harness (B) or secured in the user's hand as in 100% Tie-Off applications (C). Free hanging Lanyard Legs (D) can trip the user or catch on surrounding objects resulting in a fall.

³ **User:** A person who performs activities at heights while protected by a personal fall protection system.

⁴ **Authorized Person:** A person assigned by the employer to perform duties at a location where the person will be exposed to a fall hazard.

⁵ **Rescuer:** Person or persons other than the rescue subject acting to perform an assisted rescue by operation of a rescue system.

⁶ **Competent Person:** One who is capable of identifying existing and predictable hazards in the surroundings or working conditions which are unsanitary, hazardous, or dangerous to employees, and who has authorization to take prompt corrective measures to eliminate them.

⁷ **Inspection Frequency:** Extreme working conditions (harsh environments, prolonged use, etc.) may require increasing the frequency of competent person inspections.

3.0 HARNESS USE

3.1 BEFORE EACH USE of this equipment inspect it according to the "Inspection and Maintenance Log" (Table 1).

3.2 PLAN your system before use. Consider all factors that will affect your safety during use of this equipment. The following list gives important points to consider when planning your system:

- **Anchorage:** Select an anchorage capable of sustaining the Static Load requirements of the intended fall protection application (see Section 1.1). The anchorage location should address Free Fall, Fall Clearance, Swing Fall, and Environmental limitations described in Section 1.4.
- **Sharp Edges:** Avoid working where system components may be in contact with, or abrade against, unprotected sharp edges.
- **After A Fall:** Components which have been subjected to the forces of arresting a fall must be removed from service and destroyed.
- **Rescue:** The employer must have a rescue plan when using this equipment. The employer must have the ability to perform a rescue quickly and safely.
- **Rescue Harness:** Rescue Harnesses are intended to be worn during normal work activities. Before using rescue attachment elements for the first time, the user should carry out a suspension test in safe conditions to ensure the harness is sized and fitted for optimal comfort during suspension.

3.3 BUCKLES: Full Body Harnesses are equipped with Quick Connect Buckles for fastening and adjusting Leg Straps and Chest Straps. Harness Body Belts have a Tongue Buckle. See Figure 1 for the buckle types on your Harness. Figure 9 illustrates operation of each of the following buckles:

1. Quick Connect Buckles:

- A. To fasten the Quick Connect Buckle, insert the Tab into the Receptor until a click is heard.
- B. To adjust the attached Web Strap: Pull the Web Strap forward or backward through the Buckle Slot to tighten or loosen.
- C. To release the Quick Connect Buckle: Squeeze the Lock Levers on each side of the Receptor. Pull the Tab out of the Receptor.

2. Tongue Buckles: Fasten and adjust Tongue Buckles by passing the Tongue through the Buckle Frame and inserting the Prong through the desired Grommet in the Tongue.

3.4 ADJUSTMENTS: Harnesses are equipped with a pair of Parachute Style™ Torso Adjusters for adjusting the Shoulder Straps. Figure 10 illustrates adjustment of the Parachute Style Torso Adjusters:

1. Parachute Style Torso Adjusters: To adjust the Shoulder Straps with the Parachute Style Torso Adjusters:

- A. Pull on the free strap to tighten the Shoulder Strap. To loosen the Shoulder Strap, pull on the free strap and then back the strap through the Parachute Adjuster.
- B. When properly adjusted, secure the free strap in the Strap Keeper

3.5 EASY-LINK™ ATTACHMENTS: Full Body Harnesses are equipped with a patented Easy-Link™ System that integrates the Dorsal D-Ring with attachment elements for Harness-Mounted Self-Retracting Devices (SRDs). Figure 11 illustrates attachment of the following 3M and Protecta Self-Retracting Devices: (A) 3M Nano-Lok™ Edge SRDs, (B) 3M Twin Nano-Lok™ SRDs, (C) 3M Single Nano-Lok™ SRDs, (D) Protecta Twin Rebel™ SRDs, (E) 3M Twin Talon™ SRD. Other manufacturers' SRDs can also be mounted on the Harness in similar fashion. See the SRD manufacturer's instructions for requirements and installation instructions specific to the SRD.

Contact 3M with any questions or concerns regarding compatibility of your SRD with the Easy-Link System.

3.6 DONNING AND FITTING THE FULL BODY HARNESS: Figure 13 illustrates donning and fitting of the Full Body Harness. Prior to each use, inspect the harness per the checklist on the "Inspection and Maintenance Log (Table 1)". To don and fit the harness:

Procedures for buckling and adjusting the straps on you Harness will vary with the harness model. See Sections 3.3 thru 3.4 and Figures 9 thru 10 for details.

1. Lift up and hold the harness by the back Dorsal D-Ring on the Easy-Link System. Ensure the straps are not twisted.
2. Grasp the Shoulder Straps and slip the harness onto one arm. The Dorsal D-Ring will be located on your back side. Ensure that the straps are not tangled and hang freely. Slip your free arm into the harness and position the Shoulder Straps on top of your shoulders. The Chest Strap and Chest Buckle will be positioned on the front side when worn properly.
3. Reach between your legs and grasp the Leg Strap on your right side. Bring the strap up between your legs; buckle to the mating receptor on you right hip, and adjust the Leg Strap for a snug comfortable fit (see Section 3.3 for buckle operation). When properly adjusted, tuck the loose end of the Leg Strap under the Strap Keeper.
Repeat this process to buckle and adjust the left Leg Strap.
4. Adjust and buckle the Tongue Buckle Waist Belt (see Section 3.3 for Tongue Buckle operation).

5. Buckle and adjust the Chest Strap (see Section 3.3 for buckle operation). The Chest Strap should be 6 in. (15 cm) down from the top of your shoulders. When properly adjusted, tuck the loose end of the Chest Strap under the Strap Keeper.
6. Adjust the Shoulder Straps for a Snug Fit with the Revolver Torso Adjusters (see Section 3.4 for Torso Adjuster operation). Left and right sides of Shoulder Straps should be adjusted to the same length and the Chest Strap should be centered on your lower chest, 6 in. (15 cm) down from the shoulders. The back Dorsal D-Ring should be centered between your Shoulder Blades. The front Sternal D-Ring, if present, should be located laterally within 2 in. (51 mm) of the vertical centerline of the harness (see Section 3.6 for Store-Away D-Ring adjustment).

3.7 USE OF FALL ARREST D-RING OR ATTACHMENT ELEMENT: For Fall Arrest applications connect to the Dorsal D-ring or attachment element on your back, between your shoulder blades. Side D-rings, if present, are for Positioning or Restraint applications only. Shoulder D-rings are for Rescue or Retrieval applications only. The front Sternal D-ring is for Ladder Climbing or Positioning. D-rings on a Suspension Seat are for Suspension or Positioning applications only. (See Section 1.1.).

3.8 MAKING CONNECTIONS: When using a hook to connect to an anchorage or when coupling components of the system together, ensure roll-out cannot occur. Roll-out occurs when interference between the hook and mating connector causes the hook gate to unintentionally open and release. Self-locking snap hooks and carabiners should be used to reduce the possibility of roll-out. Do not use hooks or connectors that will not completely close over the attachment object. See subsystem manufacturer's instructions for more information on making connections.

3.9 CONNECTING SYSTEM COMPONENTS: After fitting the Harness the user may then connect to other system components. Follow the guidelines in Section 2 and the manufacturer's instructions included with the component.

4.0 INSPECTION

4.1 RFID TAG: The Radio Frequency Identification (RFID) tag on the Harness (see Figure 12) can be used in conjunction with a handheld reading device and the web based portal to simplify inspection and inventory control and provide records for your fall protection equipment.

4.2 INSPECTION FREQUENCY: The Full Body Harness must be inspected at the intervals defined in Section 2.2. Inspection procedures are described on the "Inspection and Maintenance Log" (Table 1).

4.3 DEFECTS: If inspection reveals a defective condition, remove unit from service immediately and destroy.

4.4 PRODUCT LIFE: The functional life of Harnesses is determined by work conditions and maintenance. As long as the product passes inspection criteria, it may remain in service.

5.0 MAINTENANCE, SERVICING, STORAGE

5.1 CLEANING INSTRUCTIONS: Clean the Full Body Harness as follows:

1. Spot clean the harness with water and a mild soap solution.

Use a bleach-free detergent when washing the harness and pads. Fabric softener or dryer sheets **SHOULD NOT** be used when laundering and drying the harness and pads.

2. Water temperature for wash and rinse must not exceed 160° F (70° C).
3. The harness and pads may be air dried or tumble dried on low heat not exceeding 200° F (90° C).

More information on cleaning is available from 3M. If you have questions concerning the condition of your harness, or have any doubt about putting it into service, contact 3M.

5.2 AUTHORIZED SERVICE: Additional maintenance and servicing procedures must be completed by a factory authorized service center. Authorization must be in writing. Do not attempt to disassemble the unit.

5.3 STORAGE AND TRANSPORT: Store and transport the Full Body Harness in a cool, dry, clean environment out of direct sunlight. Avoid areas where chemical vapors may exist. Thoroughly inspect the harness after extended storage.

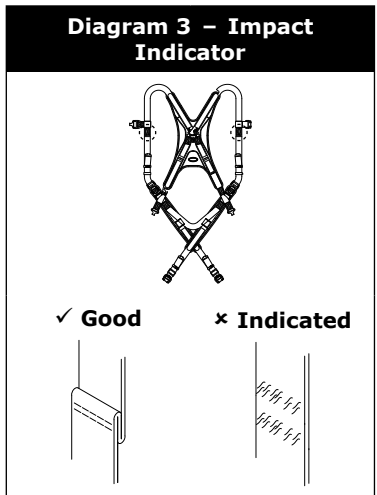
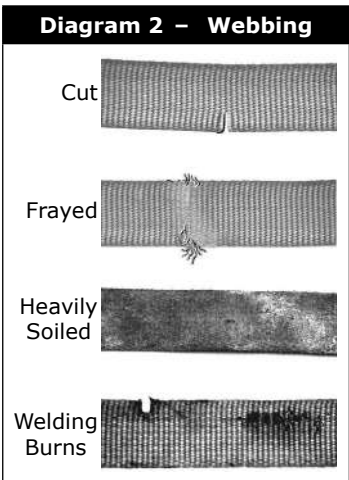
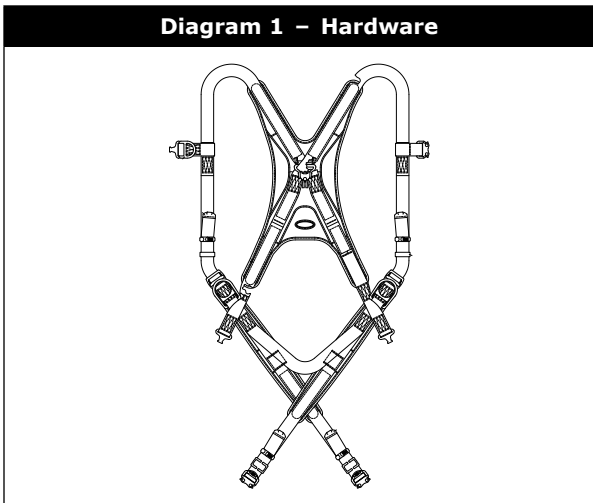
6.0 LABELING:

Figure 14 illustrates product labels and their location on the Full Body Harness. All labeling must be present and fully legible.

Table 1 – Inspection and Maintenance Log

Serial Number(s):	Date Purchased:
Model Number:	Date of First Use:

Inspection Date:		Inspected By:	
Component:	Inspection: (See Section 2.2 for Inspection Frequency)	User	Competent Person
Harness Hardware (Diagram 1)	Inspect harness hardware including buckles, adjusters, D-rings, Easy-Link, loop keepers, lanyard parking, etc. These items must not be damaged, broken, or distorted, and must be free of sharp edges, burrs, cracks, worn parts, or corrosion. PVC coated hardware must be free of cuts, rips, tears, holes, etc. in the coating to ensure non-conductivity. Ensure buckles and adjusters work smoothly.	<input type="checkbox"/>	<input type="checkbox"/>
Webbing & Stitching (Diagram 2)	Inspect webbing; material must be free of frayed, cut, or broken fibers. Check for tears, abrasions, mold, burns, or discoloration. Inspect stitching; Check for pulled or cut stitches. Broken stitches may be an indication that the harness has been impact loaded and must be removed from service.	<input type="checkbox"/>	<input type="checkbox"/>
Stitched Impact Indicators (Diagram 3)	The Stitched Impact Indicators are sections of webbing lapped back on themselves and secured with a specific stitch pattern. The stitch pattern is designed to release when the harness arrests a fall or is exposed to equivalent force. If an Impact Indicator has been activated (indicated), the harness must be removed from service and destroyed.	<input type="checkbox"/>	<input type="checkbox"/>
Labels	All labels should be present and fully legible. See Figure 14.	<input type="checkbox"/>	<input type="checkbox"/>
System & Subsystem Components	Inspect each system component or subsystem according to the manufacturer's instructions.	<input type="checkbox"/>	<input type="checkbox"/>



Corrective Action/Maintenance:	Approved By:
	Date:
Corrective Action/Maintenance:	Approved By:
	Date:
Corrective Action/Maintenance:	Approved By:
	Date:
Corrective Action/Maintenance:	Approved By:
	Date:
Corrective Action/Maintenance:	Approved By:
	Date:
Corrective Action/Maintenance:	Approved By:
	Date:
Corrective Action/Maintenance:	Approved By:
	Date:
Corrective Action/Maintenance:	Approved By:
	Date:

① **NOTE:** *These are general requirements and information provided by ANSI/ASSE Z359, the Manufacturer of this equipment may impose more stringent restrictions on the use of the products they manufacture, see the Manufacturer's instructions.*

1. It is essential that the users of this type of equipment receive proper training and instruction, including detailed procedures for the safe use of such equipment in their work application. ANSI/ASSE Z359.2, Minimum Requirements for a Comprehensive Managed Fall Protection Program, establishes guidelines and requirements for an employer's managed fall protection program, including policies, duties and training; fall protection procedures; eliminating and controlling fall hazards; rescue procedures; incident investigations; and evaluating program effectiveness.
2. Correct fit of a Full Body Harness is essential to proper performance. Users must be trained to select the size and maintain the fit of their Full Body Harness.
3. Users must follow manufacturer's instructions for proper fit and sizing, paying particular attention to ensure that buckles are connected and aligned correctly, leg straps and shoulder straps are kept snug at all times, chest straps are located in the middle chest area and leg straps are positioned and snug to avoid contact with the genitalia should a fall occur.
4. Full Body Harnesses which meet ANSI/ASSE Z359.11 are intended to be used with other components of a Personal fall Arrest system that limit maximum arrest forces to 1800 pounds (8 kn) or less.
5. Suspension intolerance, also called suspension trauma or orthostatic intolerance, is a serious condition that can be controlled with good harness design, prompt rescue and post fall suspension relief devices. A conscious user may deploy a suspension relief device allowing the user to remove tension from around the legs, freeing blood flow, which can delay the onset of suspension intolerance. An attachment element extender is not intended to be attached directly to an anchorage or anchorage connector for fall arrest. An energy absorber must be used to limit maximum arrest forces to 1800 pounds (8 kn). the length of the attachment element extender may affect free fall distances and free fall clearance calculations.
6. Full Body Harness (FBH) Stretch, the amount the FBH component of a personal fall arrest system will stretch and deform during a fall, can contribute to the overall elongation of the system in stopping a fall. it is important to include the increase in fall distance created by FBH Stretch, as well as the FBH connector length, the settling of the user's body in the FBH and all other contributing factors when calculating total clearance required for a particular fall arrest system.
7. When not in use, unused lanyard legs that are still attached to a Full Body Harness D-Ring should not be attached to a work positioning element or any other structural element on the Full Body Harness unless deemed acceptable by the competent person and manufacturer of the lanyard. this is especially important when using some types of "Y" style lanyards, as some load may be transmitted to the user through the unused lanyard leg if it is not able to release from the harness. the lanyard parking attachment is generally located in the sternal area to help reduce tripping and entanglement hazards.
8. Loose ends of straps can get caught in machinery or cause accidental disengagement of an adjuster. All Full Body Harnesses shall include keepers or other components which serve to control the loose ends of straps.
9. Due to the nature of soft loop connections, it is recommended that soft loop attachments only be used to connect with other soft loops or carabiners. Snaphooks should not be used unless approved for the application by the manufacturer.

Sections 10-16 provide additional information concerning the location and use of various attachments that may be provided on this FBH.

- 10. Dorsal** – the dorsal attachment element shall be used as the primary fall arrest attachment, unless the application allows the use of an alternate attachment. the dorsal attachment may also be used for travel restraint or rescue. When supported by the dorsal attachment during a fall, the design of the Full Body Harness shall direct load through the shoulder straps supporting the user, and around the thighs. Supporting the user, post fall, by the dorsal attachment will result in an upright body position with a slight lean to the front with some slight pressure to the lower chest. considerations should be made when choosing a sliding versus fixed dorsal attachment element. Sliding dorsal attachments are generally easier to adjust to different user sizes, and allow a more vertical rest position post fall, but can increase FBH Stretch.
- 11. Sternal** – the sternal attachment may be used as an alternative fall arrest attachment in applications where the dorsal attachment is determined to be inappropriate by a competent person, and where there is no chance to fall in a direction other than feet first. Accepted practical uses for a sternal attachment include, but are not limited to, ladder climbing with a guided type fall arrester, ladder climbing with an overhead self-retracting lifeline for fall arrest, work positioning and rope access. the sternal attachment may also be used for travel restraint or rescue.

When supported by the sternal attachment during a fall, the design of the Full Body Harness shall direct load through the shoulder straps supporting the user, and around the thighs. Supporting the user, post fall, by the sternal attachment will result in roughly a sitting or cradled body position with weight concentrated on the thighs, buttocks and lower back. Supporting the user during work positioning by this sternal attachment will result in an approximate upright body position.

if the sternal attachment is used for fall arrest, the competent person evaluating the application should take measures to ensure that a fall can only occur feet first. This may include limiting the allowable free fall distance. it may be possible for a sternal attachment incorporated into an adjustable style chest strap to cause the chest strap to slide up and possibly choke the user during a fall, extraction, suspension, etc. The competent person should consider Full Body Harness models with a fixed sternal attachment for these applications.

- 12. Frontal** – the frontal attachment serves as a ladder climbing connection for guided type fall arresters where there is no chance to fall in a direction other than feet first, or may be used for work positioning. Supporting the user, post fall or during work positioning, by the frontal attachment will result in a sitting body position, with the upper torso upright, with weight concentrated on the thighs and buttocks. When supported by the frontal attachment the design of the Full Body Harness shall direct load directly around the thighs and under the buttocks by means of the sub-pelvic strap.
- if the frontal attachment is used for fall arrest, the competent person evaluating the application should take measures to ensure that a fall can only occur feet first. This may include limiting the allowable free fall distance.
- 13. Shoulder** – the shoulder attachment elements shall be used as a pair, and are an acceptable attachment for rescue and entry/retrieval. the shoulder attachment elements shall not be used for fall arrest. it is recommended that the shoulder attachment elements be used in conjunction with a yoke which incorporates a spreader element to keep the Full Body Harness shoulder straps separate.
- 14. Waist, Rear** – the waist, rear attachment shall be used solely for travel restraint. the waist, rear attachment element shall not be used for fall arrest. Under no circumstances is it acceptable to use the waist, rear attachment for purposes other than travel restraint. the waist, rear attachment shall only be subjected to minimal loading through the waist of the user, and shall never be used to support the full weight of the user.
- 15. Hip** – the hip attachment elements shall be used as a pair, and shall be used solely for work positioning. the hip attachment elements shall not be used for fall arrest. Hip attachments are often used for work positioning by arborists, utility workers climbing poles and construction workers tying rebar and climbing on form walls. Users are cautioned against using the hip attachment elements (or any other rigid point on the Full Body Harness) to store the unused end of a fall arrest lanyard, as this may cause a tripping hazard, or, in the case multiple leg lanyards, could cause adverse loading to the Full Body Harness and the wearer through the unused portion of the lanyard.
- 16. Suspension Seat** – the suspension seat attachment elements shall be used as a pair, and shall be used solely for work positioning. the suspension seat attachment elements shall not be used for fall arrest. Suspension seat attachments are often used for prolonged work activities where the user is suspended, allowing the user to sit on the suspension seat formed between the two attachment elements. An example of this use would be window washers on large buildings.

User Inspection, Maintenance, and Storage of Equipment

Users of personal fall arrest systems shall, at a minimum, comply with all manufacturer instructions regarding the inspection, maintenance and storage of the equipment. the user's organization shall retain the manufacturer's instructions and make them readily available to all users. See ANSI/ASSE Z359.2, Minimum Requirements for a Comprehensive Managed Fall Protection Program, regarding user inspection, maintenance and storage of equipment.

1. In addition to the inspection requirements set forth in the manufacturer's instructions, the equipment shall be inspected by the user before each use and, additionally, by a competent person, other than the user, at interval of no more than one year for:
 - **Absence** or illegibility of markings.
 - **Absence** of any elements affecting the equipment form, fit or function.
 - **Evidence** of defects in, or damage to, hardware elements including cracks, sharp edges, deformation, corrosion, chemical attack, excessive heating, alteration and excessive wear.
 - **Evidence** of defects in or damage to strap or ropes including fraying, unsplicing, unlaying, kinking, knotting, roping, broken or pulled stitches, excessive elongation, chemical attack, excessive soiling, abrasion, alteration, needed or excessive lubrication, excessive aging and excessive wear.
2. Inspection criteria for the equipment shall be set by the user's organization. Such criteria for the equipment shall equal or exceed the criteria established by this standard or the manufacturer's instructions, whichever is greater.
3. When inspection reveals defects in, damage to, or inadequate maintenance of equipment, the equipment shall be permanently removed from service or undergo adequate corrective maintenance, by the original equipment manufacturer or their designate, before return to service.

Maintenance and Storage

1. Maintenance and storage of equipment shall be conducted by the user's organization in accordance with the manufacturer's instructions. Unique issues, which may arise due to conditions of use, shall be addressed with the manufacturer.
2. Equipment which is in need of, or scheduled for, maintenance shall be tagged as unusable and removed from service.
3. Equipment shall be stored in a manner as to preclude damage from environmental factors such as temperature, light, UV, excessive moisture, oil, chemicals and their vapors or other degrading elements.

The follow models also apply to this instruction:

1100160	1100737H	1101618	1102462	1107888H	1108612	1109756	1110166	1110504	1111092
1100161	1100738	1101619	1102463	1107889H	1108613	1109759	1110167	1110525	1111093
1100162	1100738H	1101620	1102464	1107975	1108614	1109760	1110168	1110526	1111094
1100163	1100739	1101621	1102465	1107976	1108615	1109761	1110169	1110527	1111095
1100164	1100739H	1101710	1102605	1107976	1108616	1109762	1110169H	1110528	1111096
1100170	1100740	1101711	1102606	1107977	1108617	1109763	1110170	1110529	1111097
1100171	1100741	1101712	1102607	1107977A	1108618	1109764	1110170H	1110550	1111098
1100172	1100742	1101720	1102608	1107981	1108619	1109765	1110171	1110551	1111150
1100173	1100743	1101735	1102609	1107982	1108620	1109766	1110171H	1110552	1111151
1100234	1100790	1101736	1102615	1107983	1108621	1109767	1110172	1110553	1111152
1100235	1100791	1101737	1102616	1107985	1108622	1109768	1110172H	1110560	1111153
1100236	1100792	1101738	1102617	1107986	1108623	1109769	1110174	1110561	1111154
1100237	1100793	1101740	1102618	1107987	1108624	1109770	1110175	1110562	1111155
1100238	1100825	1101741	1102619	1107988	1108650	1109771	1110176	1110563	1111156
1100239	1100826	1101763	1102660	1107989	1108651	1109772	1110177	1110840	1111157
1100240	1100827	1101763H	1102661	1107990	1108652	1109773	1110178	1110841	1111158
1100241	1100828	1101764	1102665	1107991	1108653	1109775	1110179	1110842	1111300
1100264	1100829	1101764H	1102666	1107992	1108656	1109776	1110180	1110843	1111301
1100300	1100940	1101765	1102667	1107993	1108657	1109777	1110200	1110844	1111302
1100301	1100940H	1101765H	1102668	1107994	1108658	1109778	1110201	1110845	1111303
1100302	1100941	1101766	1102669	1107995	1108664	1109779	1110202	1110846	1111307
1100303	1100941H	1101766H	1102685	1107996	1108675	1109800	1110203	1110847	1111380
1100304	1100942	1101767	1102686	1107997	1108676	1109801	1110204	1110848	1111381
1100305	1100943	1101767H	1102687	1107998	1108677	1109802	1110205	1110849	1111382
1100306	1100944	1101768	1102688	1107999	1108681	1109803	1110206	1110850	1111383
1100307	1100970	1101768H	1102729	1108158	1108682	1109804	1110207	1110851	1111384
1100308	1100971	1101769	1102730	1108498	1108683	1109805	1110208	1110852	1111400
1100375	1100972	1101769H	1102731	1108499	1108700	1109806	1110209	1110853	1111401
1100376	1100973	1101770	1102732	1108500	1108701	1109807	1110221	1110854	1111402
1100378	1100990	1101770H	1102740	1108500H	1108702	1109808	1110221H	1110855	1111403
1100445	1100991	1101771	1102741	1108501	1108703	1109809	1110222	1110856	1111404
1100446	1100992	1101771H	1102742	1108501H	1108704	1109810	1110222H	1110857	1111405
1100451	1100993	1101772	1102743	1108502	1108705	1109811	1110223	1110858	1111406
1100452	1100995	1101772H	1102754	1108502H	1108706	1109812	1110223H	1110859	1111407
1100453	1100996	1101773	1102829	1108503	1108707	1109813	1110224	1110860	1111408
1100454	1100997	1101773H	1102830	1108504	1108708	1109814	1110224H	1110861	1111409
1100455	1101093	1101774	1102831	1108505	1108709	1109815	1110225	1110862	1111410
1100456	1101094	1101883	1102832	1108506	1108716	1109816	1110226	1110870	1111425
1100457	1101095	1101884	1102833	1108507	1108725	1109817	1110227	1110871	1111426
1100458	1101096	1101885	1102840	1108507H	1108726	1109818	1110228	1110872	1111427
1100459	1101097	1101886	1102841	1108508	1108727	1109827	1110229	1110873	1111428
1100460	1101098	1101887	1102842	1108508H	1108728	1109925	1110230	1110880	1111429
1100525	1101099	1101915	1102843	1108509	1108729	1109926	1110231	1110881	1111452
1100526	1101190	1101916	1102844	1108510	1108750	1109927	1110232	1110882	1111475
1100527	1101191	1101940	1102860	1108511	1108751	1109928	1110233	1110883	1111476
1100528	1101192	1101941	1102861	1108512	1108752	1109929	1110234	1110884	1111477
1100529	1101193	1101942	1102862	1108513	1108753	1110000	1110235	1110885	1111478
1100530	1101194	1101943	1102863	1108514	1108754	1110001	1110250	1110886	1111479
1100531	1101195	1101990	1102864	1108515	1108755	1110075	1110251	1110887	1111525
1100532	1101196	1101991	1102890	1108516	1108900	1110076	1110252	1110888	1111526
1100533	1101197	1101992	1102891	1108517	1108901	1110077	1110253	1110889	1111527
1100534	1101198	1101993	1102892	1108518	1108902	1110078	1110254	1110890	1111528
1100535	1101361	1101994	1102893	1108519	1108903	1110079	1110275	1110891	1111529
1100536	1101362	1101995	1102894	1108520	1108975	1110100	1110276	1110892	1111530
1100537	1101363	1101996	1102915	1108521	1108976	1110101	1110277	1110893	1111550
1100538	1101364	1101997	1102944	1108522	1108977	1110102	1110278	1110894	1111551
1100539	1101365	1102011	1103039	1108523	1108978	1110103	1110279	1110900	1111552
1100545	1101366	1102012	1103040	1108524	1108979	1110104	1110300	1110901	1111553
1100546	1101367	1102013	1103041	1108525	1108980	1110105	1110301	1110902	1111554
1100547	1101368	1102014	1103042	1108525H	1108987H	1110106	1110302	1110903	1111600
1100548	1101369	1102015	1103043	1108526	1108988H	1110107	1110303	1110904	1111601
1100549	1101370	1102144	1103044	1108526H	1108989H	1110108	1110304	1110910	1111602
1100580	1101371	1102145	1103054H	1108527	1108990H	1110109	1110305	1110911	1111603
1100581	1101372	1102146	1103055H	1108527H	1108991H	1110110	1110325	1110912	1111640
1100582	1101373	1102147	1103056	1108531	1108995	1110111	1110326	1110913	1111641
1100583	1101374	1102148	1103056H	1108531H	1108996	1110112	1110327	1110914	1111642
1100590	1101411	1102149	1103057H	1108532	1108997	1110113	1110328	1110960	1111643
1100591	1101412	1102181	1103058H	1108532H	1108998	1110113H	1110350	1110963	1111644
1100592	1101412H	1102182	1103065	1108533	1108999	1110114	1110351	1110964	1111645H
1100593	1101413	1102183	1103066	1108533H	1109225	1110114H	1110352	1110970	1111700
1100594	1101414	1102184	1103067	1108535	1109226	1110115	1110353	1110971	1111701
1100595	1101414H	1102185	1103068	1108536	1109227	1110115H	1110354	1110982	1111702
1100596	1101449	1102286	1103080	1108537	1109228	1110116	1110355	1110983	1111703
1100640	1101485	1102306	1103081	1108538	1109229	1110116H	1110375	1111010	1111704
1100641	1101486	1102307	1103082	1108543	1109230	1110117	1110376	1111011	1111800
1100642	1101487	1102340	1103083	1108550	1109355	1110117H	1110377	1111012	1111801
1100685	1101488	1102341	1103090	1108551	1109356	1110125	1110378	1111013	1111802
1100686	1101489	1102342	1103091	1108552	1109357	1110126	1110379	1111014	1111803
1100687	1101490	1102343	1103092	1108553	1109358	1110127	1110400	1111015	1111804
1100688	1101491	1102346	1103093	1108575	1109359	1110128	1110401	1111016	1113790
1100689	1101492	1102347	1103910	1108576	1109375	1110129	1110402	1111017	1113791
1100692	1101493	1102384	1103911	1108577	1109376	1110150	1110403	1111018	1113792
1100694	1101495	1102385	1103912	1108581	1109377	1110151	1110404	1111019	1113793
1100730	1101496	1102386	1103913	1108582	1109378	1110152	1110427	1111020	1114062
1100730H	1101497	1102387	1106093	1108583	1109700	1110152H	1110475	1111021	1114063
1100731	1101498	1102388	1106094	1108587	1109701	1110153	1110476	1111022	1114064
1100731H	1101590	1102389	1106095	1108588	1109702	1110154	1110477	1111075	1114065
1100732	1101591	1102393	1106096	1108600	1109703	1110155	1110478	1111076	1114066
1100732H	1101592	1102440	1107303	1108601	1109725	1110156	1110479	1111077	
1100733	1101593	1102441	1107304	1108602	1109726	1110157	1110480	1111078	
1100733H	1101594	1102442	1107880H	1108604	1109727	1110158	1110481	1111079	
1100734	1101595	1102443	1107881H	1108605	1109728	1110159	1110482	1111085	
1100734H	1101596	1102444	1107882H	1108606	1109729	1110160	1110483	1111086	
1100735	1101597	1102457	1107883H	1108607	1109750	1110161	1110484	1111087	
1100735H	1101598	1102458	1107884H	1108608	1109751	1110162	1110500	1111088	
1100736	1101615	1102459	1107885H	1108609	1109752	1110163	1110501	1111089	
1100736H	1101616	1102460	1107886H	1108610	1109753	1110164	1110502	1111090	
1100737	1101617	1102461	1107887H	1108611	1109754	1110165	1110503	1111091	

U.S. PRODUCT WARRANTY, LIMITED REMEDY AND LIMITATION OF LIABILITY

WARRANTY: THE FOLLOWING IS MADE IN LIEU OF ALL WARRANTIES OR CONDITIONS, EXPRESS OR IMPLIED, INCLUDING THE IMPLIED WARRANTIES OR CONDITIONS OF MERCHANTABILITY OR FITNESS FOR A PARTICULAR PURPOSE.

Unless otherwise provided by applicable law, 3M fall protection products are warranted against factory defects in workmanship and materials for a period of one year from the date of installation or first use by the original owner.

LIMITED REMEDY: Upon written notice to 3M, 3M will repair or replace any product determined by 3M to have a factory defect in workmanship or materials. 3M reserves the right to require product be returned to its facility for evaluation of warranty claims. This warranty does not cover product damage due to wear, abuse, misuse, damage in transit, failure to maintain the product or other damage beyond 3M's control. 3M will be the sole judge of product condition and warranty options.

This warranty applies only to the original purchaser and is the only warranty applicable to 3M's fall protection products. Please contact 3M's customer service department at 800-328-6146 or via email at 3MFallProtection@mmm.com for assistance.

LIMITATION OF LIABILITY: TO THE EXTENT PERMITTED BY APPLICABLE LAW, 3M IS NOT LIABLE FOR ANY INDIRECT, INCIDENTAL, SPECIAL OR CONSEQUENTIAL DAMAGES INCLUDING, BUT NOT LIMITED TO LOSS OF PROFITS, IN ANY WAY RELATED TO THE PRODUCTS REGARDLESS OF THE LEGAL THEORY ASSERTED.



Fall Protection

USA

3833 SALA Way
Red Wing, MN 55066-5005
Toll Free: 800.328.6146
Phone: 651.388.8282
Fax: 651.388.5065
3Mfallprotection@mmm.com

Brazil

Rua Anne Frank, 2621
Boqueirão Curitiba PR
81650-020
Brazil
Phone: 0800-942-2300
falecoma3m@mmm.com

Mexico

Calle Norte 35, 895-E
Col. Industrial Vallejo
C.P. 02300 Azcapotzalco
Mexico D.F.
Phone: (55) 57194820
3msaludocupacional@mmm.com

Colombia

Compañía Latinoamericana de Seguridad S.A.S.
Carrera 106 #15-25 Interior 105 Manzana 15
Zona Franca - Bogotá, Colombia
Phone: 57 1 6014777
fallprotection-co@mmm.com

Canada

260 Export Boulevard
Mississauga, ON L5S 1Y9
Phone: 905.795.9333
Toll-Free: 800.387.7484
Fax: 888.387.7484
3Mfallprotection-ca@mmm.com

EMEA (Europe, Middle East, Africa)

EMEA Headquarters:
5a Merse Road
North Moons Moat
Redditch, Worcestershire
B98 9HL UK
Phone: + 44 (0)1527 548 000
Fax: + 44 (0)1527 591 000
informationfallprotection@mmm.com

France:

Le Broc Center
Z.I. 1re Avenue - BP15
06511 Carros Le Broc Cedex
France
Phone: + 33 04 97 10 00 10
Fax: + 33 04 93 08 79 70
informationfallprotection@mmm.com

Australia & New Zealand

95 Derby Street
Silverwater
Sydney NSW 2128
Australia
Phone: +(61) 2 8753 7600
Toll-Free : 1800 245 002 (AUS)
Toll-Free : 0800 212 505 (NZ)
Fax: +(61) 2 8753 7603
anzfallprotectionsales@mmm.com

Asia

Singapore:
1 Yishun Avenue 7
Singapore 768923
Phone: +65-6450 8888
Fax: +65-6552 2113
TotalFallProtection@mmm.com

Shanghai:

19/F, L'Avenue, No.99 Xian Xia Rd
Shanghai 200051, P R China
Phone: +86 21 62539050
Fax: +86 21 62539060
3MFallProtection-CN@mmm.com

Korea:

3M Korea Ltd
20F, 82, Uisadang-daero,
Yeongdeungpo-gu, Seoul
Phone: +82-80-033-4114
Fax: +82-2-3771-4271
TotalFallProtection@mmm.com

Japan:

3M Japan Ltd
6-7-29, Kitashinagawa, Shinagawa-ku, Tokyo
Phone: +81-570-011-321
Fax: +81-3-6409-5818
psd.jp@mmm.com

3M.com/FallProtection

