

Guarantee | Repairs & Returns

Please complete and include the form below. MH Instruments honors a 30-day satisfaction guarantee for products purchased ONLY and directly from us. For MHI-direct purchases, we reserve the right to charge a minimum restocking fee of 10%.

Used, Modified and/or Damaged Merchandise

Any product that we determine shows evidence of being used, modified and/or installed contrary to our instructions, and/or subjected to improper handling, packaging or shipping by the customer, may not be eligible for exchange, refund or warranty consideration at our discretion. Modified units may be assessed a repair fee at our discretion.

Consumer-Direct Repairs | One-Year Warranty

MH Instruments warrants each new product it manufactures to be free from defective materials and workmanship. MHI agrees to remedy any such defect or replace the unit, at our option, provided the unit is delivered to us, intact, *with all transportation charges prepaid* to our factory, for a period of one (1) year from the date of sale to the consumer. **DO NOT SEND REPAIRS TO YOUR DEALER/DISTRIBUTOR.**

NOTE: Returns from dealers on behalf of consumers must include a dated proof of purchase or will be returned.

DATED PROOF OF PURCHASE REQUIRED FOR WARRANTY REPAIRS**Return/Repair Slip Information** *(Please complete and include with product.)*

Name _____
Address _____
City _____
State _____ Zip _____
Phone _____
Reason _____
Purchased at: _____

Ship to:

MH Instruments*
1040 Hillcrest Drive
Pomona, CA 91768-1422
p +1.949.713.2173

For additional information, please visit us at www.mhinstruments.com.

***PLEASE DO NOT REQUIRE DELIVERY SIGNATURE. LIMITED 1217**

Rumble Road™ 'Limited' Non-Amplified Speaker System

**Owner Manual & Warranty**

Congratulations! You have purchased a quality upgrade for your 12-Volt motorcycle, scooter, ATV or other powersports vehicle. The Rumble Road™ Limited speaker system will improve the looks of your ride and provide many hours of pure listening pleasure when used in conjunction with your personal stereo or smartphone.

Contents

- Items inventory
- Features
- Choosing a stereo
- Mounting options
- Installation instructions
 - Step-by-step mounting instructions
- Figures
 - Figure 1: Electrical wiring
 - Figure 2: Speaker assembly
- Warranty/Guarantee

Items inventory

Each Rumble Road™ Limited package includes:

- 2 chromed or black Rumble Road™ non-amplified speakers
- 2 three-piece mounting clamps in matching finish
- All audio cabling and power wiring
- Black mesh wire dressing

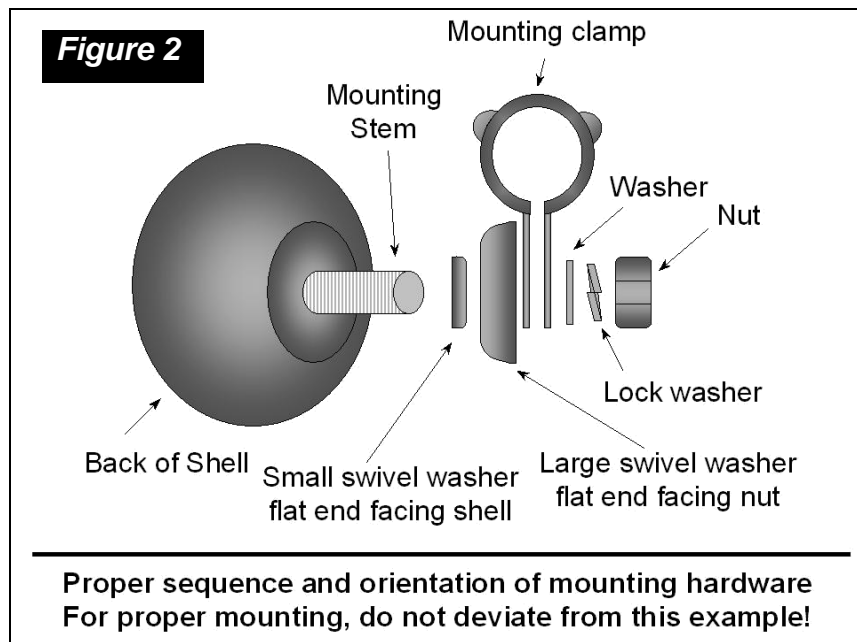
Features

- Powerful, clear sound
- 4" coaxial full-range, high-power 4-Ohm Alpine™ speakers
- Standard cruiser spotlight housing
- Chrome-plated or black enclosure
- Stainless steel grilles and mounting hardware
- Versatile mounting locations
- Use with motor running or off
- Easy installation

Check us out on Facebook!
www.facebook.com/mhinstruments



Leave a comment, share some photos of your installed Rumble Road™ speaker system.



Choosing a stereo

The non-amplified Rumble Road™ Limited series requires an amplified car stereo. Virtually any brand works. An amplified stereo rated at 4 Ohms is best.

Mounting options

Common mounting options include:

- Handlebars
- Engine guard
- Forks
- Utility bars

It's worth taking some time to consider the best installation locations for your Rumble Road™ speakers. While many options are possible, choose one that will look best from both the front and back. An ideal location is on the handlebars using three-piece clamps in a matching finish (included with Rumble Road™ Kits). Mounting here brings Rumble Road™ speakers closer to the rider and dash for optimal looks and sound.

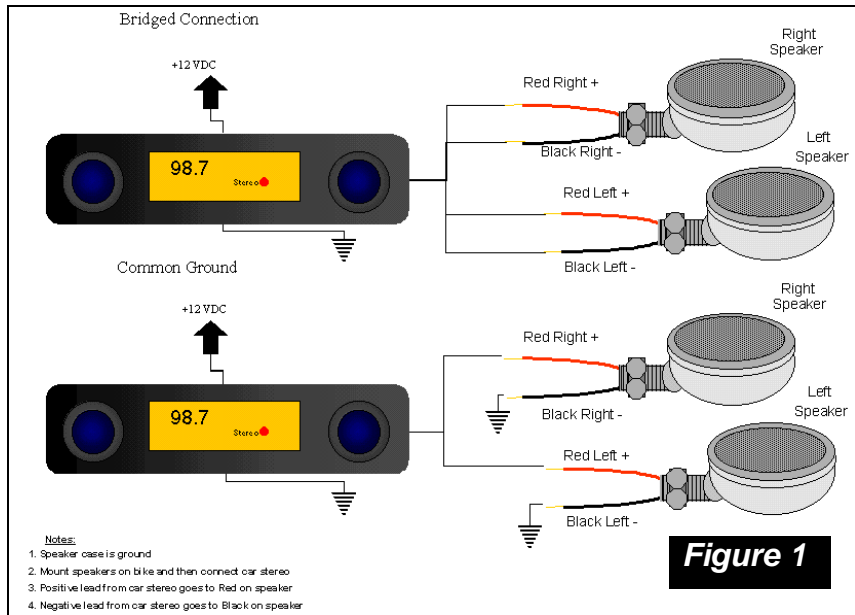


If you have an existing set of bar-mounted spotlights, try mounting the speakers behind them. If you mount both, a three-hole mounting bar or plate would probably work well for you.

For other mounting ideas, visit our website at www.mhinstruments.com.

Installation instructions

An electrical wiring diagram of the Rumble Road™ Limited speaker system is shown below.



Install the amplified car stereo and then wire each of the Rumble Road™ speakers to the stereo according to the stereo manufacturer's instructions. Figure 1 shows two possible wiring schemes that may be recommended by the stereo manufacturer.

If you need technical assistance, please visit our website at www.mhinstruments.com for answers to Frequently Asked Questions or email us at service@mhinstruments.com.

Step-by-step mounting instructions

- 1) Install the car stereo according to the manufacturer's instructions.
- 2) Mount the speakers (see Figure 2 for proper assembly) and feed the wires from the speaker to the car stereo.
- 3) Refer to the car stereo's owner manual to determine whether you have a "floating ground" or "common ground" stereo. Refer to Figure 1 and associated text for wiring instructions.
- 4) Wire the system.
- 5) Review your wiring sequence *before* turning on any of the equipment.
- 6) Once the system is properly connected, turn on the car stereo to test the entire system. **Troubleshooting Tip: If you find the balance control on your car stereo is backwards, flip the speaker connections around.**
- 7) Final electrical installation can be dressed up using provided mesh braiding around the power and signal wires leading up to and from the speakers, stereo, switch and battery or power source.
- 8) **Troubleshooting Tip: If you experience electrical noise or whine, produced by some motorcycle electrical/ignition systems, you may want to install an electrical noise filter, available from MH Instruments.**