

# 4 Get Control

Your SVS PB-2000 PRO Subwoofer can be controlled from the new SVS Mobile App or via the rear panel for maximum flexibility when optimizing performance based on your room layout, speakers, system set-up and more.

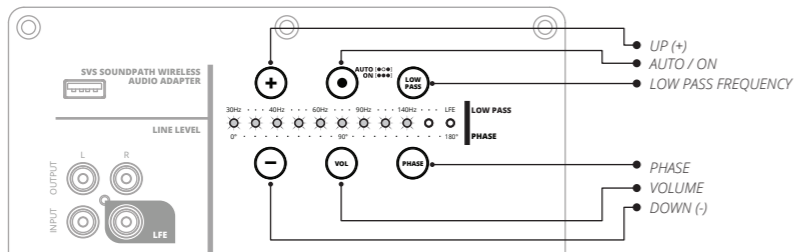
## Download The App

The SVS App is the easiest and most convenient way to access all of the advanced control features available on your PB-2000 PRO, from the comfort of your favorite seat.



## On The Subwoofer

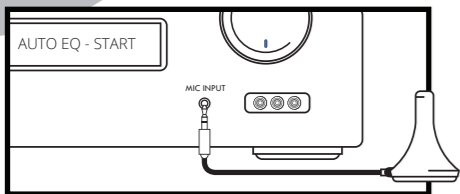
The rear panel features an intuitive all-new user interface with controls for adjusting the subwoofer's primary settings. The blue LED bar shows settings for Volume, Low Pass Frequency, and Phase. Simply press the setting you want to change and then use the "+" and "-" buttons to adjust the settings.



Please note, some DSP settings can only be accessed using the SVS app.

# 5 Get Calibrated

For connection to an AV Receiver, set the PB-2000 PRO volume to -10 in the app (on the rear panel, all but the last two lights illuminated). Set the low pass filter to LFE and the phase to 0 degrees, then run auto-set-up on the AV Receiver. Always re-run set-up if you move the subwoofer to another location.



For connection to a Stereo Receiver or Preamp without auto-set-up, adjust the PB-2000 PRO volume to match the output of your main speakers, and adjust the low pass filter to blend the bass between the PB-2000 PRO and your speakers. If needed, consult with our Sound Experts on the best phase setting.

For additional guidance on recommended crossover or low pass filter settings specific to your system, visit our Subwoofer Matching Tool at [www.svsound.com/merlin](http://www.svsound.com/merlin), or just call, email or chat online with our Sound Experts: (877) 626-5623 | [custservice@svs.com](mailto:custservice@svs.com) | [www.svsound.com](http://www.svsound.com)



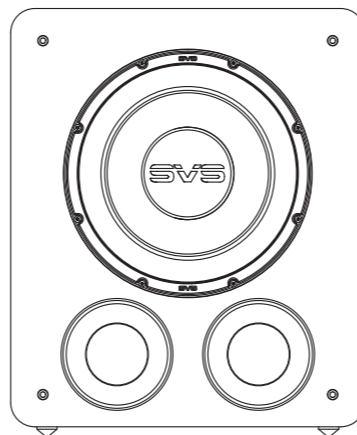
# Quick Start Guide PB-2000 PRO

Congratulations on choosing the SVS PB-2000 PRO, one of the most powerful and advanced subwoofers in the world. We know you're anxious to get it cranking so the following steps will guide you through the quick and easy installation process.

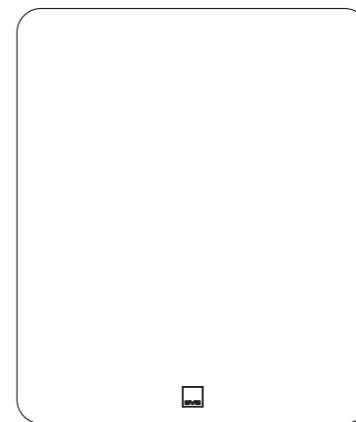
**We strongly recommend reading the PB-2000 PRO Owner's Manual to get the best possible performance out of your new subwoofer.** You'll find useful information about subwoofer placement, connections, DSP functions and more. The full SVS PB-2000 PRO Owner's Manual can be found here: [www.svsound.com/pb-2000pro-manual](http://www.svsound.com/pb-2000pro-manual)

## Unbox It

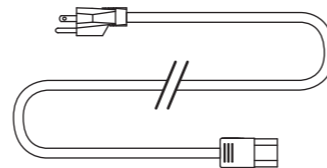
If you followed the PB-2000 PRO Subwoofer unboxing instructions properly you will have the following items in front of you. Please confirm all pieces are available before continuing.



[PB-2000 PRO Subwoofer]



[Removable Grille]



[Detachable Power Cord]

Register Your  
New SVS Product:



Thank you for choosing SVS! Registering your SVS product expedites any Sound Experts support requests, confirms your warranty registration and provides a proof of purchase. Plus, as a registered customer, you'll be the first to get SVS news and updates.

Register your product now at: [www.svsound.com/register](http://www.svsound.com/register)

# REGISTER

# REVIEW

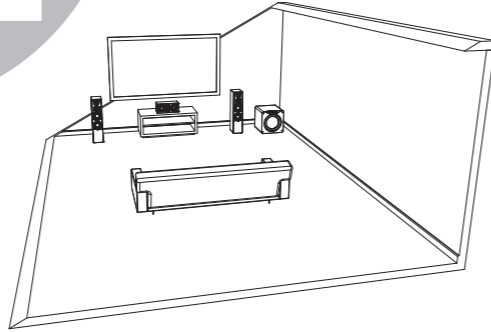
**Review Your New SVS Product:**  
 Your SVS product is built with the highest standards of engineering excellence to achieve stunning sound quality and dynamics. Honest feedback is important to us and others making decisions about audio products. Please share your ownership experience with the SVS community by writing a review today.



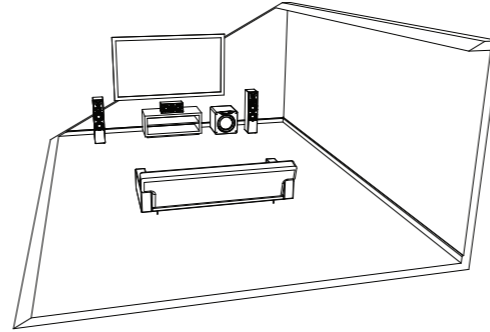
Review your product now at: [www.svsound.com/review](http://www.svsound.com/review)

## 2 Set It Up

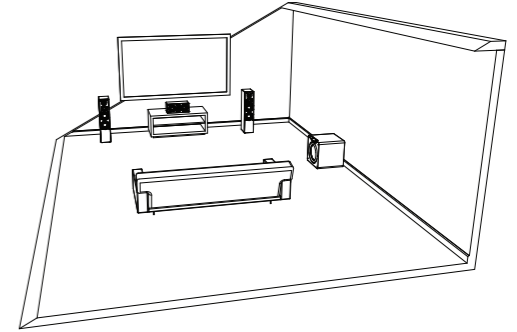
The location of your subwoofer in the listening environment can affect its performance. If possible, start with corner placement on the same wall as the front speakers, or anywhere along the front stage in between or outside of your main speakers.



**Corner Placement:** offers huge impact and reduces the potential to encounter bass nulls, or 'dead spots'. If "boominess" occurs, you can try pulling it away from the wall and using the DSP tuning controls to smooth performance.



**Front Placement:** In between or to the side of the front channel speakers often results in the best blending with the main speakers and center channel and minimizes localization effects.

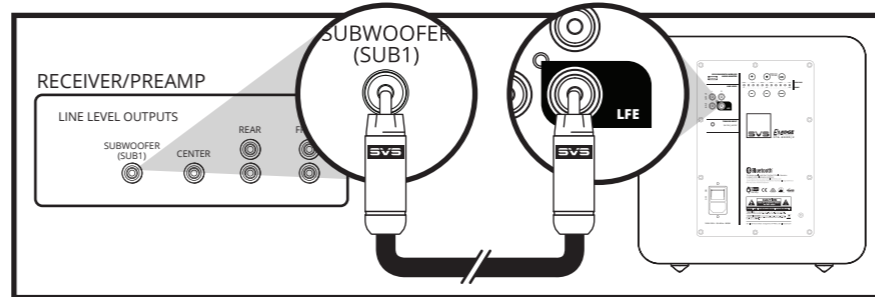


**Side Wall Placement:** Side wall placement is less frequently used but can be an effective subwoofer location for excellent accuracy and output.

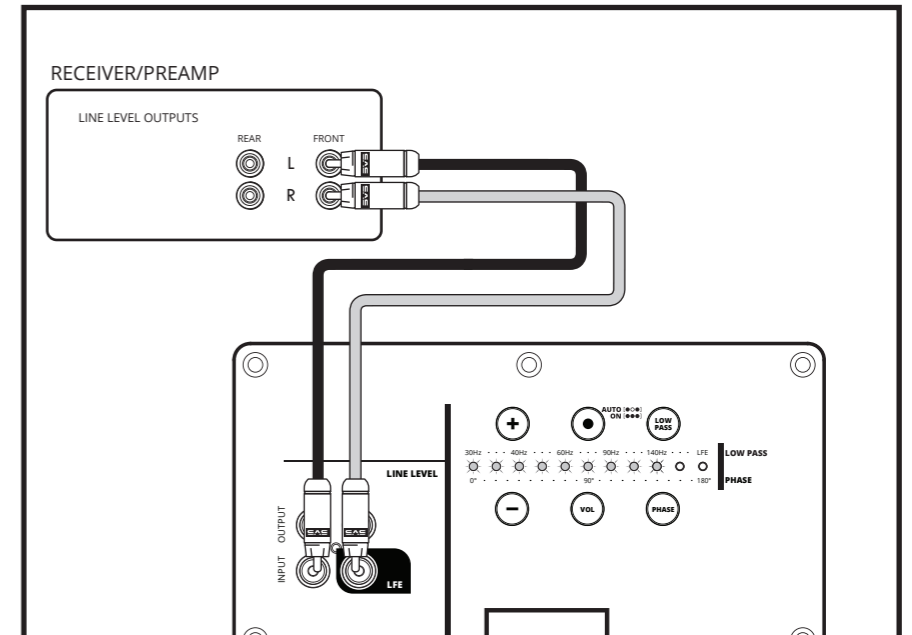
## 3 Hook It Up

For most set-ups, a single RCA subwoofer interconnect cable running from the AV Receiver's "SUB 1" output to the PB-2000 PRO's "LFE" line level input is all that's required to connect the subwoofer into your system. If you run separate Preamp and Power Amplifiers, follow the "Line Level Connection - Stereo Receiver or Preamp Left/Right Channels" connection guide below.

### Line Level Connection - Single LFE Channel



### Line Level Connection - Stereo Receiver or Preamp Left/Right Channels



## Need Help?

Our Sound Experts are standing by to help with subwoofer placement, installation, calibration, AV receiver settings, room rattle and anything else you need advice about. Just call, email or chat online with our Sound Experts:

(877) 626-5623 | [custservice@svsound.com](mailto:custservice@svsound.com) | [www.svsound.com](http://www.svsound.com)