



OWNER'S MANUAL

SoundPath

Subwoofer Isolation System



Thank you, and congratulations on purchasing your new SVS SoundPath Subwoofer Isolation System!

The SVS SoundPath Subwoofer Isolation System decouples and isolates the subwoofer from the flooring, resulting in tighter and cleaner sounding bass, less buzz/rattle in the room, and fewer complaints from adjacent neighbors in apartments and townhouses. It's the next best thing to sound-proofing!

The SoundPath Subwoofer Isolation System works with any brand of subwoofer which accepts screw-in feet. Developed with extensive accelerometer and acoustic measurements, this system features optimized durometer elastomer feet which significantly reduce floor vibration.

Our Sound Experts in Customer Service can assist you with installing the SoundPath Subwoofer Isolation System, so please don't hesitate to contact Customer Service if you need guidance.

If you have any questions about your SVS product, please contact us directly.

www.svsound.com • custservice@svsound.com • (877) 626-5623

TABLE OF CONTENTS

PACKAGE CONTENTS.....	3
INSTALLATION	4
CABINET / BOX STYLE SUBWOOFERS.....	4
SVS CYLINDER SUBWOOFERS – BASE PLATE RETAINED.....	5
SVS CYLINDER SUBWOOFERS – BASE PLATE REMOVED.....	6
SPECIFICATIONS.....	7
SHARE YOUR THOUGHTS.....	7

PACKAGE CONTENTS

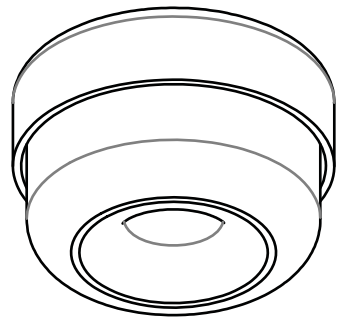
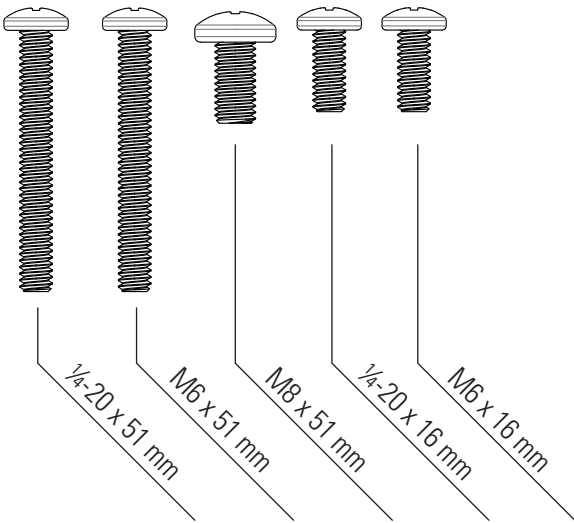
Package Contents:

4 Foot System:

- Four (4) SoundPath Isolation Elastomer Feet with Steel Outer Shell
- Four (4) ¼-20 x 16 mm screws
- Four (4) M6 x 16 mm screws
- Four (4) M8 x 16 mm screws
- Four (4) ¼-20 x 51 mm screws (SVS PC models – baseplate removed)
- Four (4) M6 x 51 mm screws (SVS PC models – baseplate removed)

6 Foot System:

- Six (6) SoundPath Isolation Elastomer Feet with Steel Outer Shell
- Six (6) ¼-20 x 16 mm screws
- Six (6) M6 x 16 mm screws
- Six (6) M8 x 16 mm screws
- Six (6) ¼-20 x 51 mm screws (SVS PC models – baseplate removed)
- Six (6) M6 x 51 mm screws (SVS PC models – baseplate removed)



SoundPath Isolation
Elastomer Feet

Cabinet / Box Style Subwoofers:

1. Place padding such as a soft blanket on the flooring to protect the finish of the subwoofer.

2. Using a helper (if needed), carefully place the subwoofer cabinet on its side or top, resting on the blanket. Take care to avoid damaging the amplifier. Important Notice: When moving the subwoofer, do not allow the weight of the cabinet to place an excessive lateral (sideways) load on the feet. This may damage the feet, the threaded insert or the cabinet.

3. Unthread and remove the subwoofer's original equipment (OE) feet.

4. Gather all of the 16 mm long machine screws from the Isolation System kit. There are three (3) thread sizes provided – ¼-20, M6 and M8.

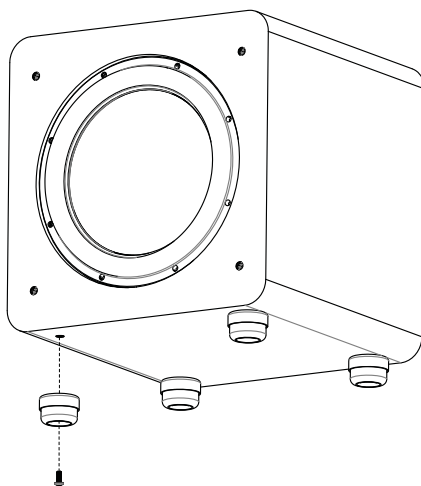
5. Compare the OE feet machine screws to the 16 mm long Isolation System machine screws. Select the matching/correct thread size (SVS cabinet subwoofers utilize the ¼-20 thread size).

6. Once you have selected the correct thread size, install the Isolation feet by inserting the 16 mm long machine screw through the bottom opening of the rubber foot, through the opening in the steel outer shell, and into the threaded insert of the subwoofer cabinet.

7. Make sure the machine screw is correctly aligned and does not cross-thread.

8. Hand-tighten snugly. Avoid over-tightening, which might damage the threaded insert or the cabinet.

9. Using a helper (if needed) carefully lift the subwoofer cabinet and place it directly down onto the installed Isolation feet. Take care to avoid damaging the amplifier.



Important Notice: When placing the subwoofer back into position, do not allow the weight of the cabinet to place an excessive lateral (sideways) load on the Isolation feet. This may damage the Isolation feet, the threaded insert or the cabinet.

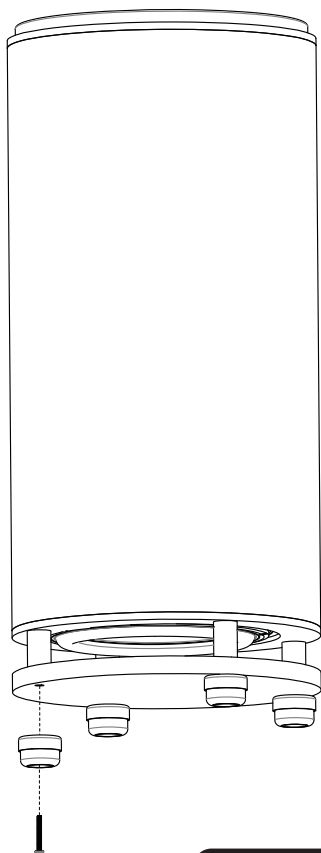
Important Notice: - Do not drag the subwoofer cabinet across the flooring with the Isolation feet installed. This may damage the Isolation feet, the threaded insert or the cabinet. If you need to move the subwoofer, always lift (use a helper if needed) the subwoofer and then place it into the new location.

SVS Cylinder Subwoofers:

There are two options for installing the Isolation System on SVS cylinder subwoofers - base plate retained or base plate removed. Retaining the base plate is recommended in applications which have very high pile carpeting, in order to avoid woofer interference at high playback levels. Aside from that exception, there is no performance difference between the two options, so choose whichever option you personally prefer.

SVS Cylinder Subwoofers – Base Plate Retained:

1. Using a helper as needed, lay the cylinder subwoofer sideways on a stable surface. Take care to avoid damaging the amplifier.
2. Peel off the original equipment (OE) rubber disc feet.
3. Only remove one (1) OE machine screw at a time. This will prevent the base plate from dislodging. Important Notice: - If you are using a powered bit driver to remove and/or install the machine screws, avoid excessive downward pressure on the screw, as that may dislodge the t-nut mounted to the backside of the woofer end-cap.
4. Install the Isolation foot by inserting the OE machine screw through the bottom opening of the rubber foot, through the opening in the steel outer shell, through the base plate, through the dowel (re-aligning the dowel as necessary) and into the t-nut on the backside of the woofer end-cap.
5. Make sure the machine screw is correctly aligned and does not cross-thread.
6. Tighten the OE machine screw avoiding excessive downward pressure. Once the screw fully tightens and starts to pull against the end-cap t-nut, tighten securely using hand-pressure.
7. Using a helper (if needed), carefully stand the cylinder subwoofer back onto the installed Isolation feet. Take care to avoid damaging the amplifier.



Important Notice: - Do not drag the subwoofer base plate across the flooring with the Isolation feet installed. This may damage the Isolation feet or the base plate. If you need to move the subwoofer, always lift (use a helper if needed) the subwoofer and then place it into the new location.

SVS Cylinder Subwoofers – Base Plate Removed:

1. Using a helper as needed, lay the cylinder subwoofer sideways on a stable surface. Take care to avoid damaging the amplifier.

2. Peel off the original equipment (OE) rubber disc feet.

3. Remove the OE machine screws. Support the base plate as needed to prevent it from inadvertently dislodging while removing the screws. Important Notice: - If you are using a powered bit driver to remove and/or install the machine screws, avoid excessive downward pressure on the screw, as that may dislodge the t-nut mounted to the backside of the woofer end-cap

4. Remove the base plate and the dowels and set aside.

5. Gather all of the 51 mm long machine screws from the Isolation System kit. There are two (2) thread sizes provided – ¼-20 and M6.

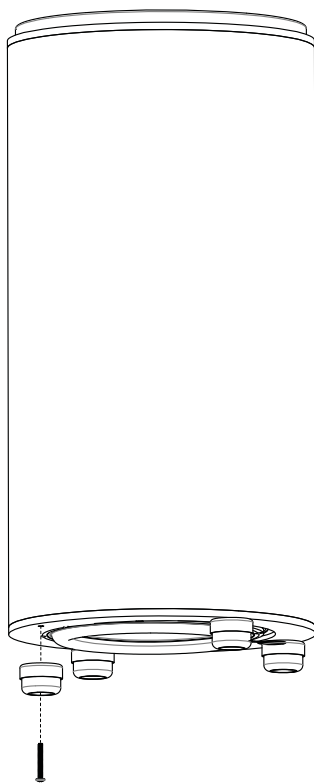
6. Compare the OE feet machine screws to the Isolation System 51 mm long machine screws and select the matching/correct thread size.

7. Install each Isolation foot by inserting the 51 mm long machine screw through the bottom opening of the rubber foot, through the opening in the steel outer shell and into the t-nut on the backside of the woofer end-cap.

8. Make sure the machine screw is correctly aligned and does not cross-thread.

9. Tighten the machine screw avoiding excessive downward pressure. Once the screw fully tightens and starts to pull against the end-cap t-nut, tighten securely using hand-pressure.

10. Using a helper (if needed) carefully stand the cylinder subwoofer back onto the installed Isolation feet. Take care to avoid damaging the amplifier.



Important Notice: - Do not drag the subwoofer base plate across the flooring with the Isolation feet installed. This may damage the Isolation feet or the base plate. If you need to move the subwoofer, always lift (use a helper if needed) the subwoofer and then place it into the new location.

SPECIFICATIONS

Materials Of Construction:

- Durable Anodized Steel Outer Shell
- Elastomer Foot with Optimized Durometer
- Steel Machine Screws

SoundPath Isolation Feet Dimensions:

- Overall Height: 40 mm
- Shell Diameter: 58 mm
- Foot Diameter: 53 mm
- Screw Engagement Depth: 9 mm (applies to 16 mm length screws)

SHARE YOUR THOUGHTS

At SVS, we strive to deliver products that surpass every expectation and provide unbeatable value. After you have had an opportunity to install and audition the impact of the SoundPath Subwoofer Isolation System on your subwoofer, please share your comments for our team and other customers to see.



Write a review at svsound.com



Post at facebook.com/SVSound



Tweet @[SVSSoundExperts](https://twitter.com/SVSSoundExperts)

.....
.....
.....
.....
.....
.....
.....
.....
.....
.....
.....
.....
.....
.....
.....
.....
.....
.....
.....
.....
.....
.....
.....
.....
.....
.....
.....
.....
.....
.....
.....
.....
.....
.....
.....
.....
.....
.....
.....
.....
.....
.....
.....
.....
.....
.....
.....
.....
.....
.....
.....
.....
.....
.....



SVS
6420 Belmont Ave.
Girard, Ohio 44420
United States
(877) 626-5623
www.svsound.com