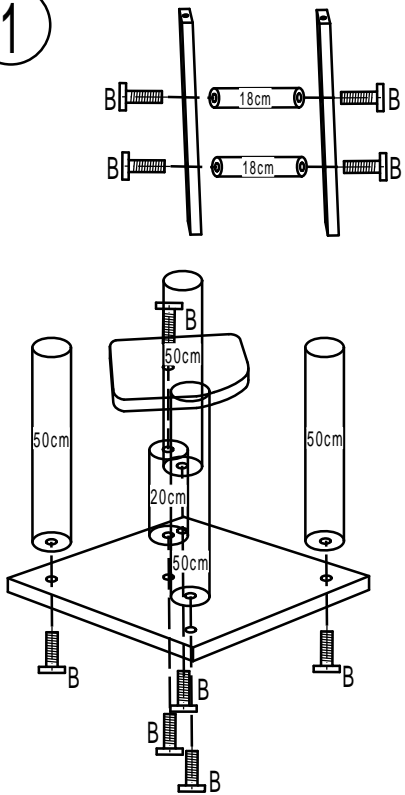
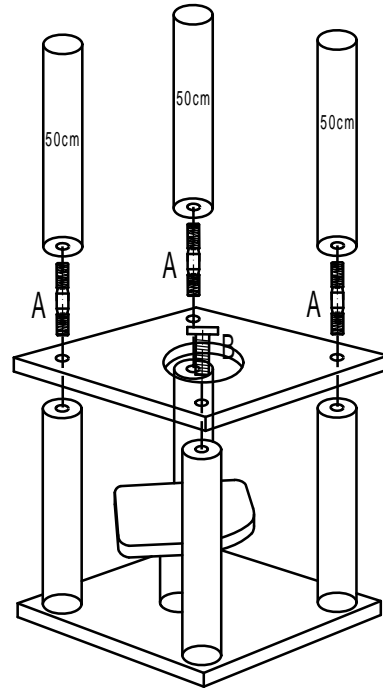


www.kittymansions.com

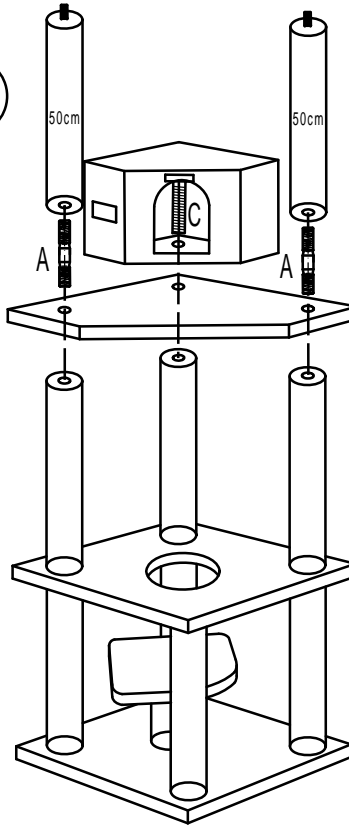
1



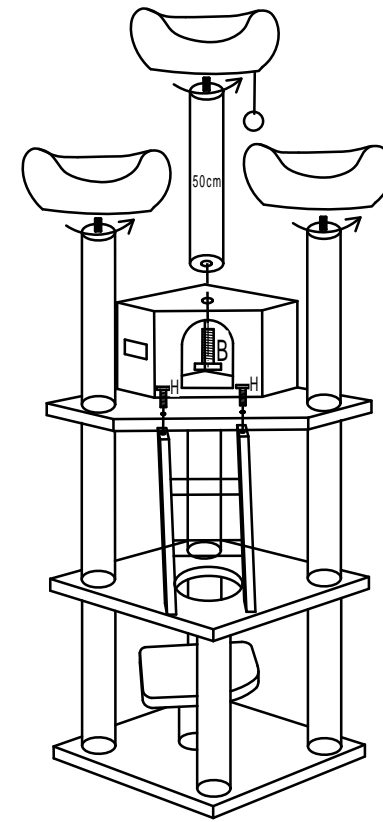
2

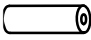

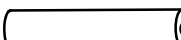
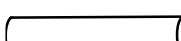
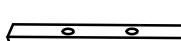


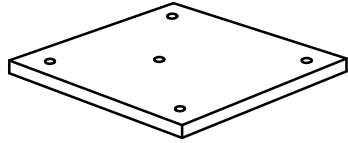
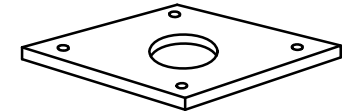

3


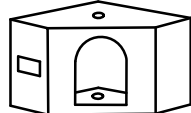

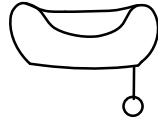


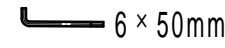
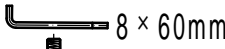

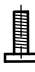
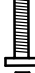

4



- 2 ×  $\text{Ø} 5 \times 18\text{cm}$
- 1 ×  $\text{Ø} 9 \times 20\text{cm}$
- 7 ×  $\text{Ø} 9 \times 50\text{cm}$
- 3 ×  $\text{Ø} 9 \times 50\text{cm}$
- 2 × 

- 1 ×  55 × 55cm
- 1 ×  55 × 55cm
- 1 ×  55 × 55cm

- 1 ×  30 × 30cm
- 1 ×  40 × 40 × 25cm
- 2 ×  $\text{Ø} 35\text{cm}$
- 1 ×  $\text{Ø} 35\text{cm}$

- 1 ×  6 × 50mm
- 1 ×  8 × 60mm
- (5+1) ×  $\text{Ø} 8 \times 70\text{mm}$ (A)
- (12+1) ×  $\text{Ø} 8 \times 40\text{mm}$ (B)
- 1 ×  $\text{Ø} 8 \times 60\text{mm}$ (C)
- 2 ×  $\text{Ø} 6 \times 35\text{mm}$ (H)