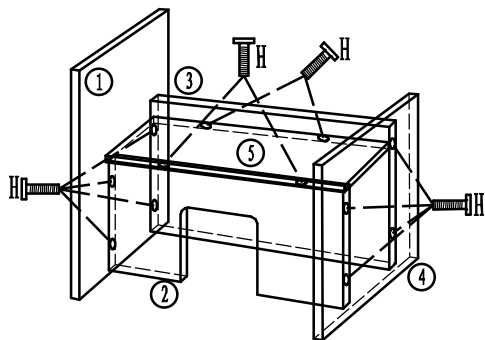
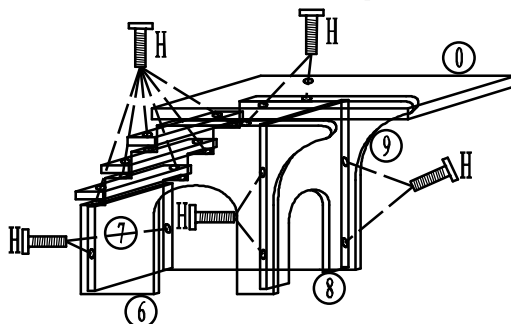


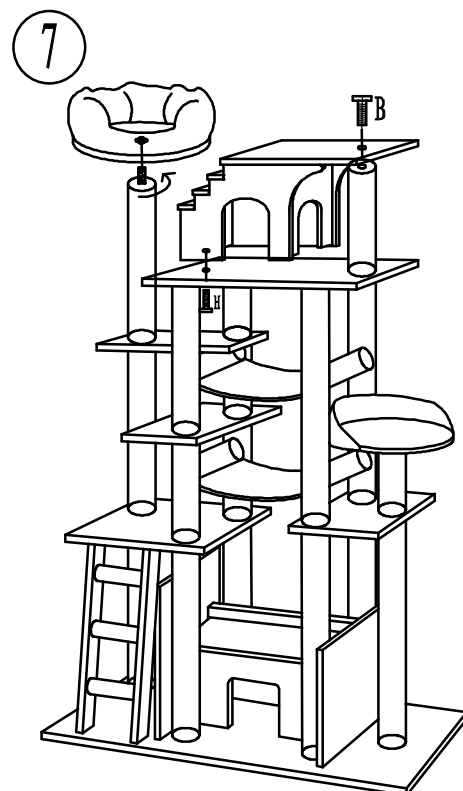
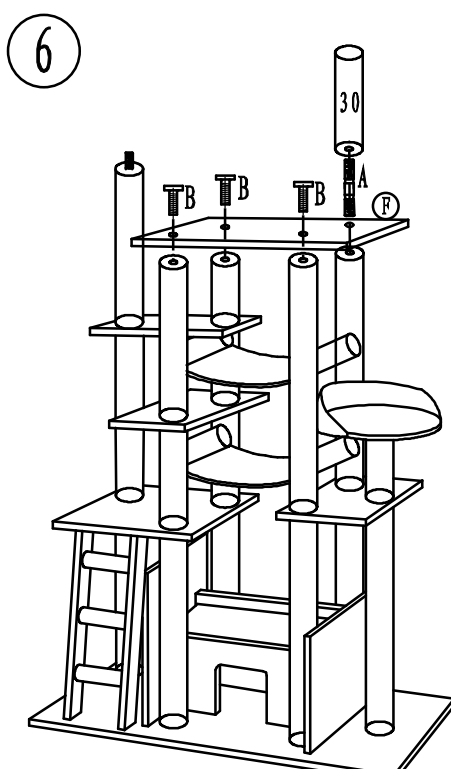
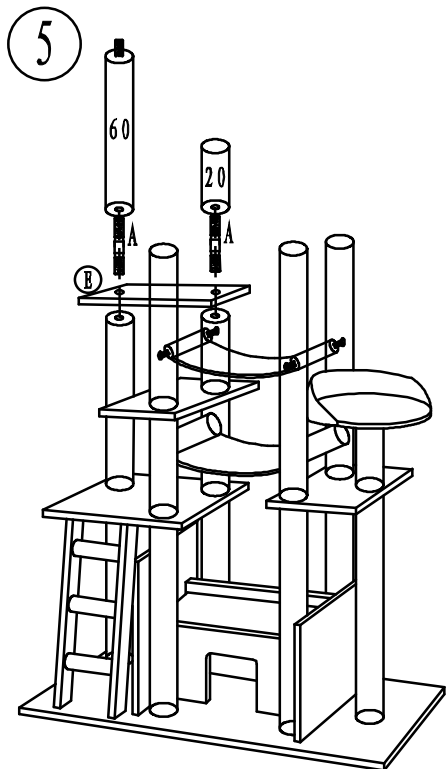
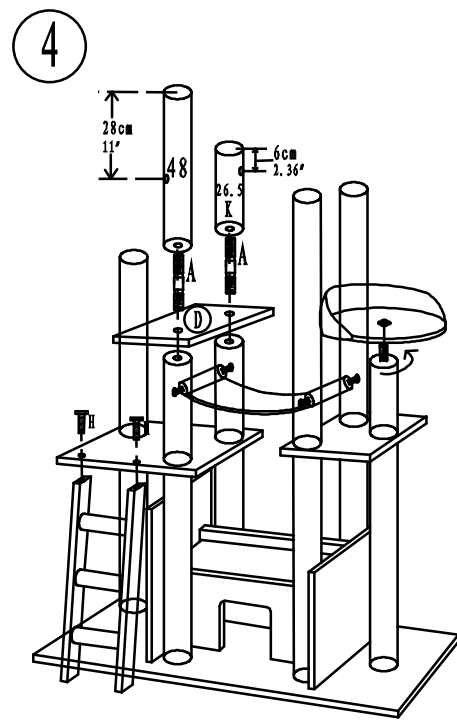
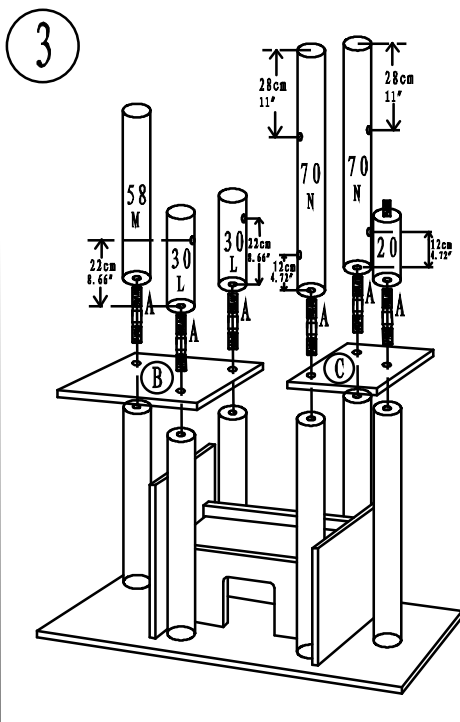
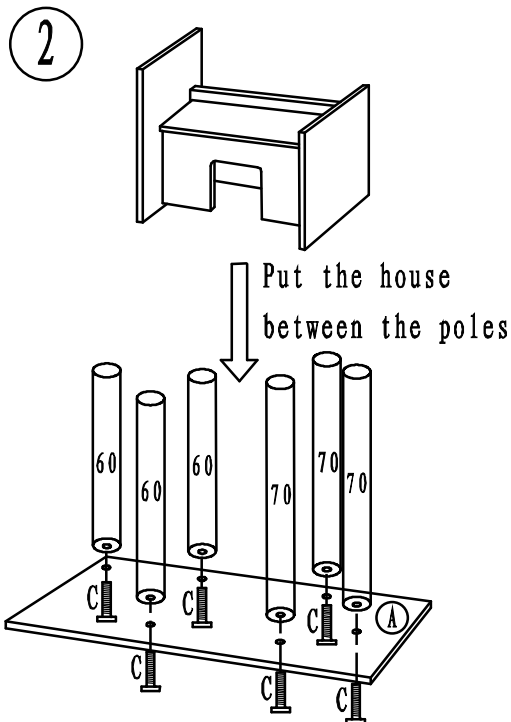
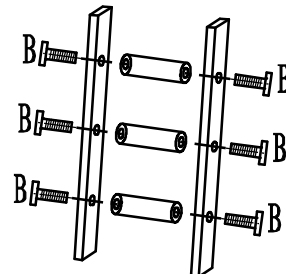
① Step 1: you need to assemble the house which is on the baseboard.

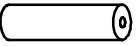

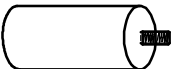


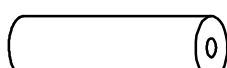




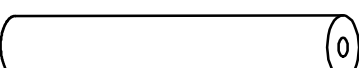
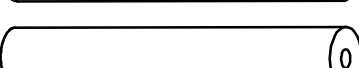
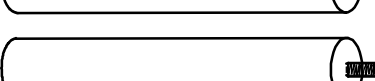
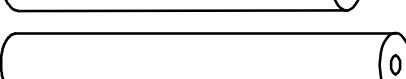
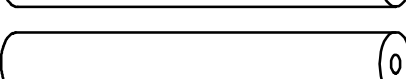
Step 2: you need to assemble the house which is on the top.

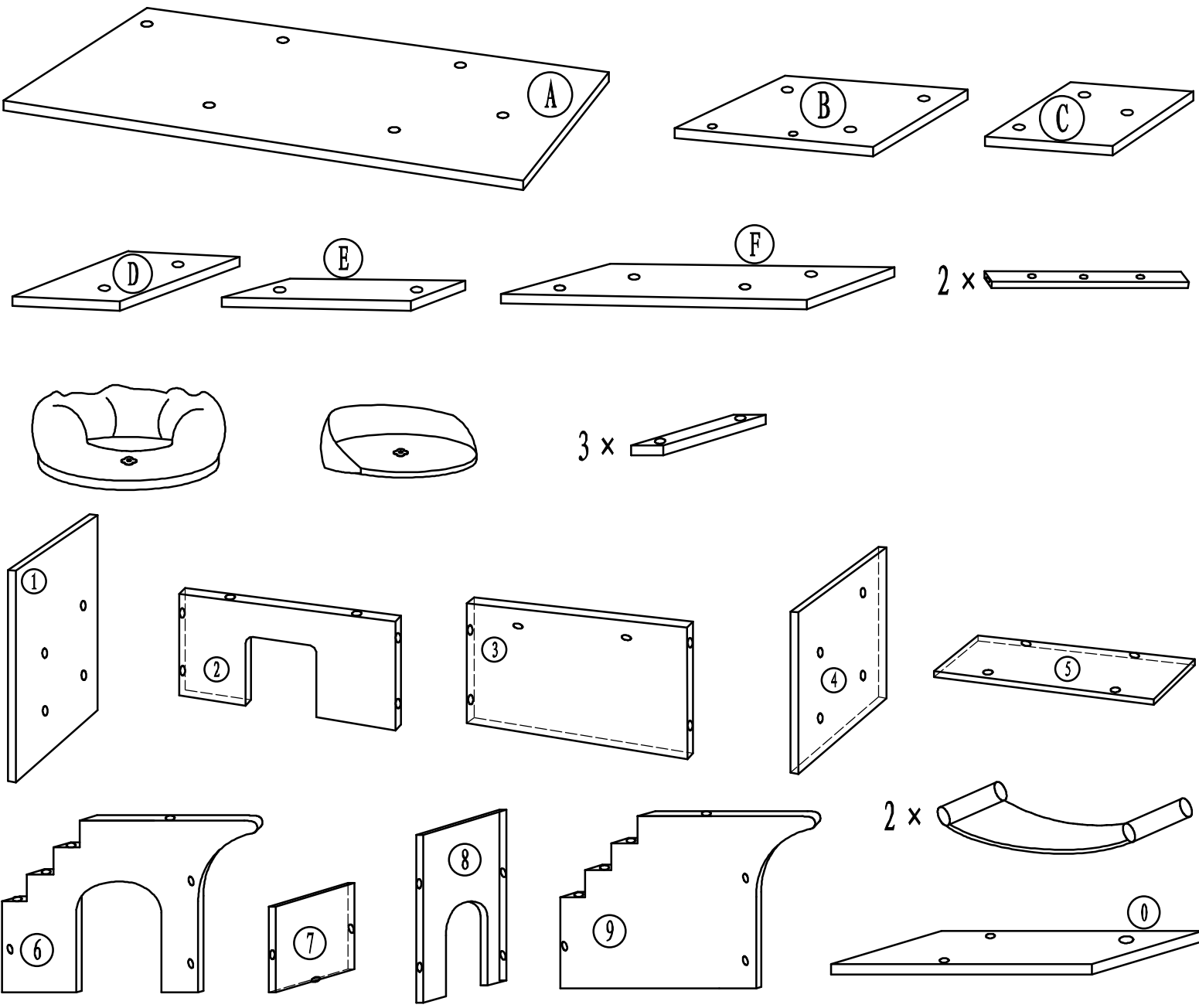


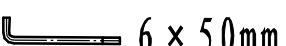
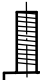
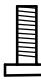
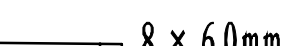


Step 3: assemble the stairs



- 3 ×  $\phi 5 \times 18 \text{ cm}$
- 4 ×  $\phi 7 \times 30 \text{ cm}$
- 1 ×  $\phi 9 \times 20 \text{ cm}$
- 1 ×  $\phi 9 \times 20 \text{ cm}$
- 1 ×  $\phi 9 \times 26.5 \text{ cm (K)}$
- 1 ×  $\phi 9 \times 30 \text{ cm}$
- 2 ×  $\phi 9 \times 30 \text{ cm (L)}$

- 1 ×  $\phi 9 \times 48 \text{ cm}$
- 1 ×  $\phi 9 \times 58 \text{ cm (M)}$
- 3 ×  $\phi 9 \times 60 \text{ cm}$
- 1 ×  $\phi 9 \times 60 \text{ cm}$
- 3 ×  $\phi 9 \times 70 \text{ cm}$
- 2 ×  $\phi 9 \times 70 \text{ cm (N)}$



1 ×  6 × 50mm	(10+1) ×  $\phi 8 \times 40 \text{ mm (B)}$	(29+3) ×  $\phi 6 \times 35 \text{ mm (H)}$
1 ×  8 × 60mm	(11+1) ×  $\phi 8 \times 70 \text{ mm (A)}$	(6+1) ×  $\phi 8 \times 60 \text{ mm (C)}$