

# UV-Clean Payment Terminal (UV24-PT+)

## Safely Disinfect Payment Terminals on Stands

UV-C light is used to eradicate harmful bacteria, including antibiotic resistant viruses (including Coronaviruses SARS and MERS), Staphylococcus aureus (MRSA) and Enterococcus (VRE), as well as E. coli, difficile, Proteus spp., Klebsiella spp and Listeria spp. UV-C light has also been shown to be successful against the COVID-19 strain.

Given that there are over 8 million payment terminal stands in US and credit cards continue to be the primary form of payment, the UV24-PT+ is a game-changing solution designed to mount to your on-site payment stand. 24/7 automated disinfecting cycles of low doses of UV-C light are harmful to pathogens, but safe for your employees and customers. UV-C light is also safe for extended use on payment terminals.

Liquid disinfectants and harsh chemicals can damage payment devices, and overlays will nullify PCI compliance.  
<https://blog.pcisecuritystandards.org/maintaining-pos-device-security-and-cleanliness>

### WHY UV-PT

- 24/7 Continuous Disinfecting
- Eradicates 99.9% of viruses and bacteria
- Doesn't damage or compromise device
- Easy field installation
- Works with most existing stands
- Works with the leading terminal manufactures
- No integration needed to your current POS software
- Maintains PCI compliance

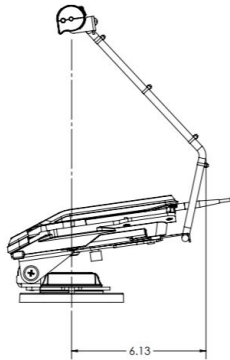
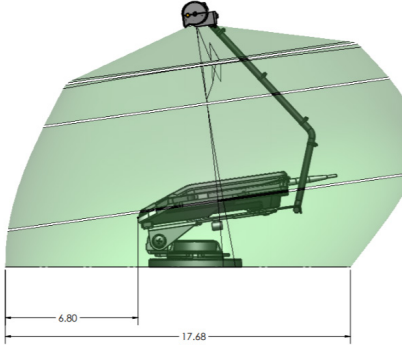


# UV-Clean Payment Terminal (UV24-PT+)

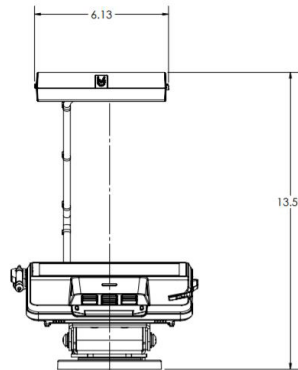
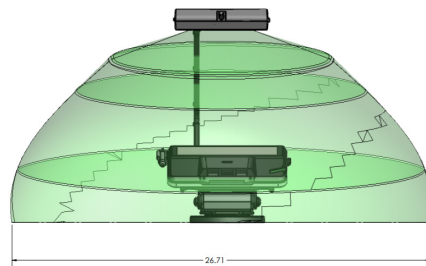
## Safely Disinfect Payment Terminals on Stands

### COVERAGE AREA

Payment Mount  
(shown from side)



Payment Mount  
(shown from front)



## Safe, Flexible, Next-Generation High Touch Surface Disinfectant

With UV-Clean, you can set up a strong line of defense against the spread of infectious microorganisms on high-touch surfaces or objects. Lead the Change, create the safest environments for your employees, customers and community.

### PRODUCT DETAILS

- Product number: Device Dependent
- Compatible with most major payment devices
- Automated disinfecting cycle
- Motion activated for safe deployment of UV-C light
- Package dimensions: approx. 6" x 8" x 12" (device/product dependent)
- Package weight: approx. 2.5 lbs
- One-year warranty
- Extended Warranty options available

### MATERIAL OVERVIEW

- 100% recyclable UV stable plastic
- UV-C bulb
- 10' long 5.5mm pin to USB power cable
- Power adapter included

### KEY FEATURES

- Attaches to most ENS and Tailwind payment stands with retail hardened brackets
- Maintains PCI compliance
- Optimizes day-to-day workflow with an automatic means of self-disinfection
- Low cost of ownership



The MET Mark for product safety indicates compliance to required standards by virtue of Eurofins MET Labs' equivalent NRTL accreditations to UL.

