

Heckler AV

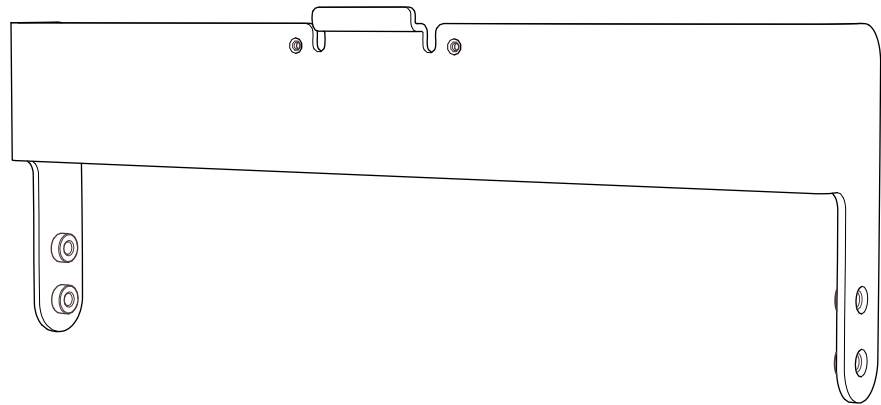


Hecklerdesign

LOGITECH MEETUP BRACKET

Mounting Bracket for Heckler AV Cart

Assembly & Installation



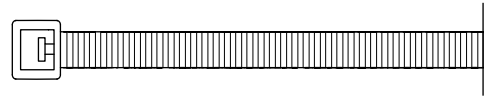
Compatible with

Logitech MeetUp and Heckler AV Cart

Limited Warranty

Heckler Design warrants your product to be free from defect in material and workmanship for a period of two years from the original date of purchase. Electronic components are warranted to be free from defect for a period of one year from the original date of purchase. If you discover a defect, please contact service@hecklerdesign.com. Heckler Design will repair, at our discretion, using new or refurbished components. If repair is not possible, Heckler Design will replace the item.

2x



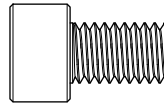
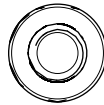
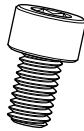
Cable zip ties
F530

2x



Bracket security screws, (6-32, 3/8 inch)
F546

4x



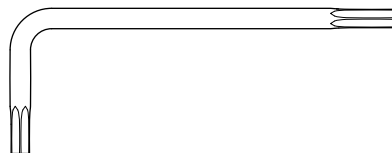
Bracket installation screws, (5/64, 2 inch)
F522

1x



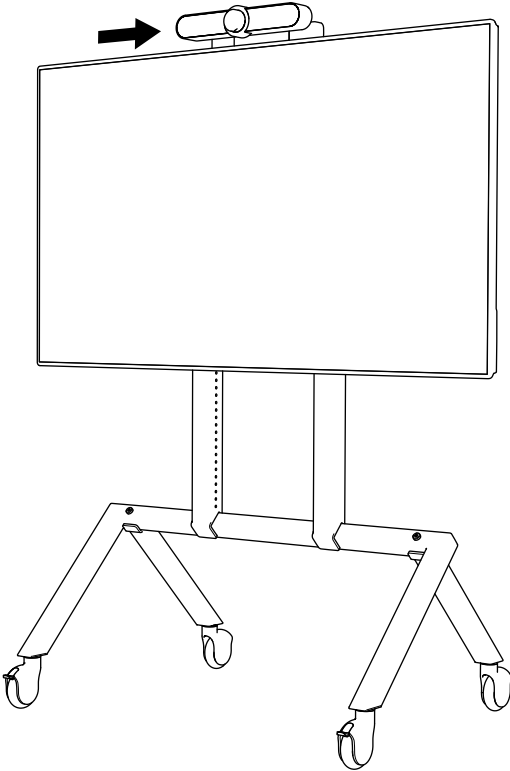
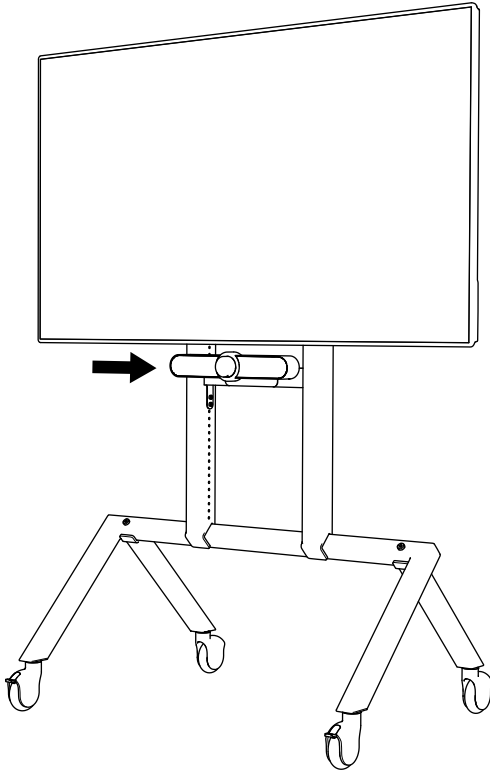
Bracket assembly tool, (5/64, 2 inch)
F523

1x

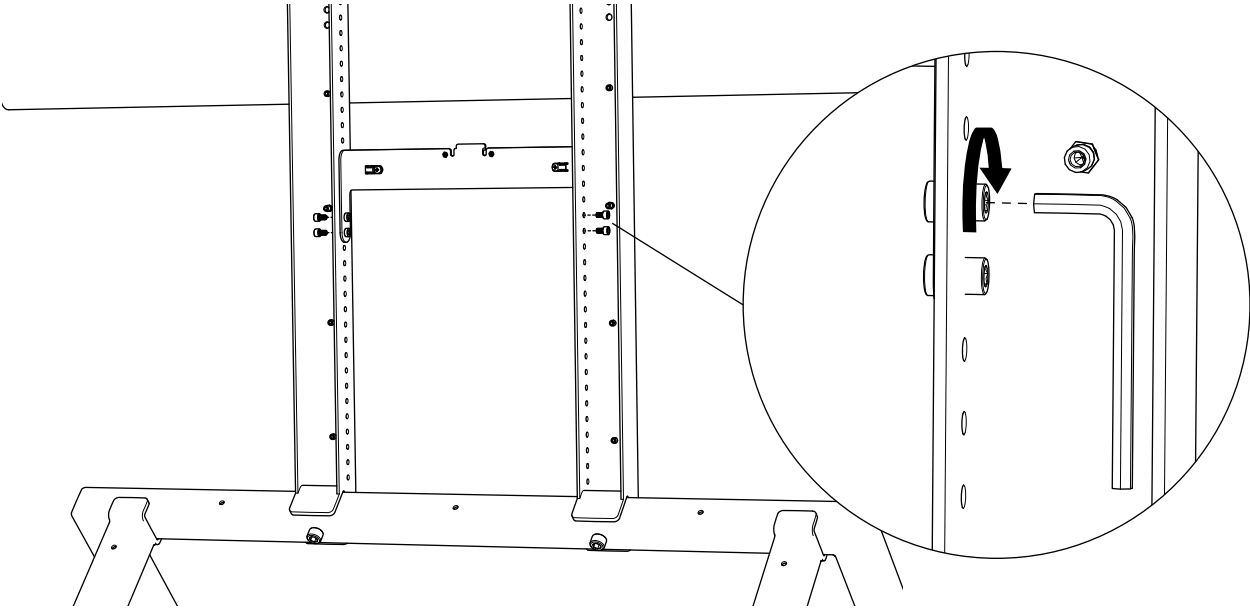
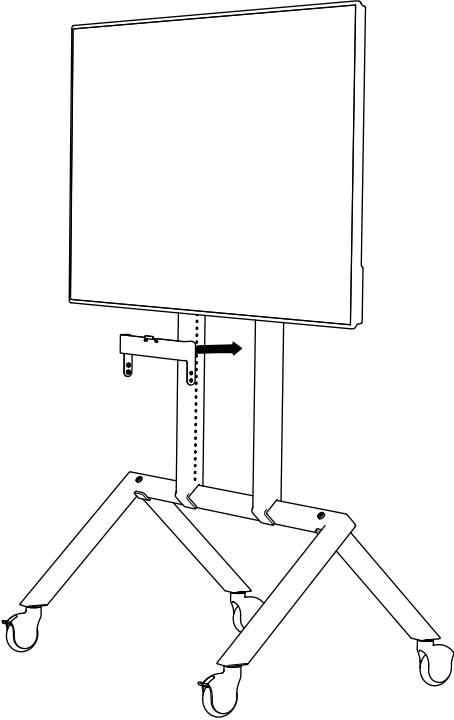
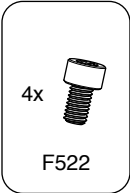


Bracket security tool (2 inch)
F160

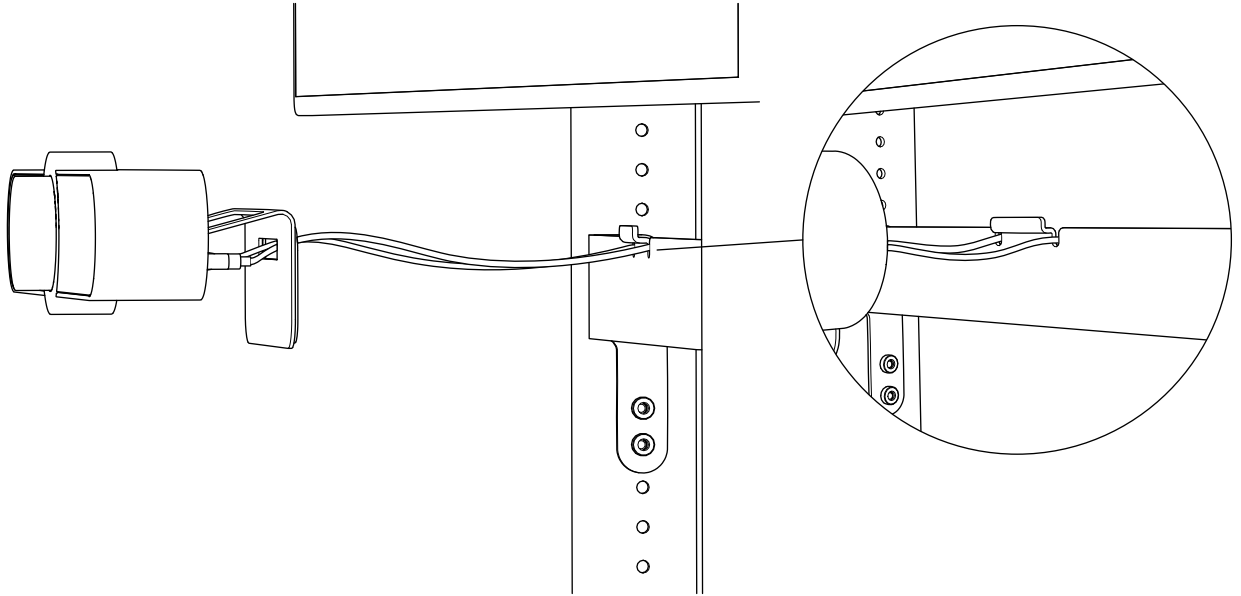
1 Select installation position for MeetUp camera



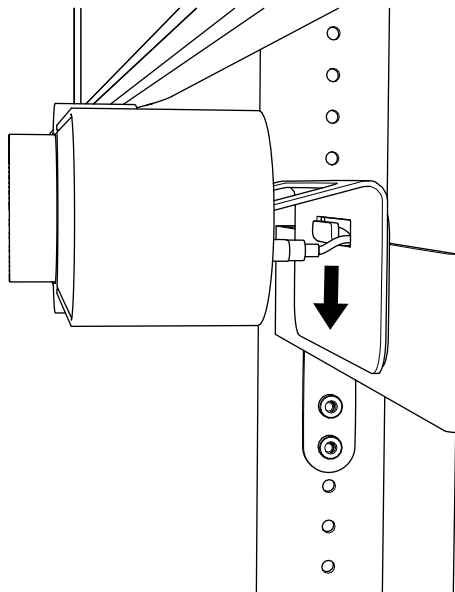
2 Install bracket to Heckler AV Cart



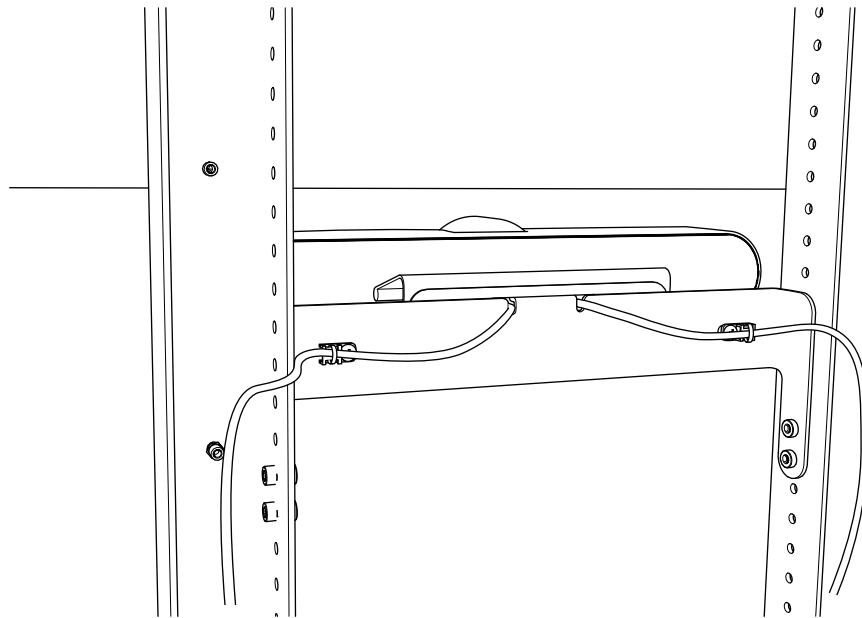
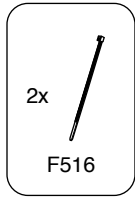
3 Channel cables through MeetUp base



4 Hang Logitech Meetup on bracket lip



5 Route cables down AV Cart vertical arms



5 Secure Meetup

