



YVC-1000 Extension Microphone

YVC-MIC1000EX



User's Manual

Manuel de l'utilisateur

取扱説明書

用户手册

사용 설명서

Bedienungsanleitung

Manuale dell'utente

Manual del usuario

Manual do utilizador

Руководство пользователя

Please also refer to the YVC-1000 user's manual.

You can download the latest user's manual from the following website:

<https://uc.yamaha.com/resources/support/>

YVC-1000 の取扱説明書もご覧ください。

最新の取扱説明書は下記のウェブサイトからダウンロードできます。

<https://sound-solution.yamaha.com/download/>

请一并阅读 YVC-1000 的用户手册。

您可从以下网站下载最新的用户手册。

<https://www.yamaha.com/products/zh/communication/support/>

EN

FR

JA

ZH

KO

DE

IT

ES



PT

RU

Contents

IMPORTANT SAFETY INSTRUCTIONS	2	Controls and Functions	7
Safety Precautions	3	Microphone (YVC-MIC1000)	7
Precautions for Use	4	Microphone (YVC-MIC1000): Side	7
Location of name plate	5	Microphone (YVC-MIC1000): Bottom	8
Introduction	6	Specifications	9
Check the contents	6	General	9
Please read other instruction manuals as well as this manual	6	Audio	9

IMPORTANT SAFETY INSTRUCTIONS

	CAUTION RISK OF ELECTRIC SHOCK DO NOT OPEN	
CAUTION: TO REDUCE THE RISK OF ELECTRIC SHOCK, DO NOT REMOVE COVER (OR BACK). NO USER-SERVICEABLE PARTS INSIDE. REFER SERVICING TO QUALIFIED SERVICE PERSONNEL.		

• Explanation of Graphical Symbols



The lightning flash with arrowhead symbol, within an equilateral triangle, is intended to alert you to the presence of uninsulated "dangerous voltage" within the product's enclosure that may be of sufficient magnitude to constitute a risk of electric shock to persons.



The exclamation point within an equilateral triangle is intended to alert you to the presence of important operating and maintenance (servicing) instructions in the literature accompanying the appliance.

- 1 Read these instructions.
- 2 Keep these instructions.
- 3 Heed all warnings.
- 4 Follow all instructions.
- 5 Do not use this apparatus near water.

- 6 Clean only with dry cloth.
- 7 Do not block any ventilation openings. Install in accordance with the manufacturer's instructions.
- 8 Do not install near any heat sources such as radiators, heat registers, stoves, or other apparatus (including amplifiers) that produce heat.
- 9 Do not defeat the safety purpose of the polarized or grounding-type plug. A polarized plug has two blades with one wider than the other. A grounding type plug has two blades and a third grounding prong. The wide blade or the third prong are provided for your safety. If the provided plug does not fit into your outlet, consult an electrician for replacement of the obsolete outlet.
- 10 Protect the power cord from being walked on or pinched particularly at plugs, convenience receptacles, and the point where they exit from the apparatus.
- 11 Only use attachments/accessories specified by the manufacturer.
- 12 Use only with the cart, stand, tripod, bracket, or table specified by the manufacturer, or sold with the apparatus. When a cart is used, use caution when moving the cart/apparatus combination to avoid injury from tip-over.



- 13 Unplug this apparatus during lightning storms or when unused for long periods of time.
- 14 Refer all servicing to qualified service personnel. Servicing is required when the apparatus has been damaged in any way, such as power-supply cord or plug is damaged, liquid has been spilled or objects have fallen into the apparatus, the apparatus has been exposed to rain or moisture, does not operate normally, or has been dropped.

FCC INFORMATION (U.S.A.)
1 IMPORTANT NOTICE: DO NOT MODIFY THIS UNIT! This product, when installed as indicated in the instructions contained in this manual, meets FCC requirements. Modifications not expressly approved by Yamaha may void your authority, granted by the FCC, to use the product.
2 IMPORTANT: When connecting this product to accessories and/ or another product use only high quality shielded cables. Cable/s supplied with this product MUST be used. Follow all installation instructions. Failure to follow instructions could void your FCC authorization to use this product in the USA.
3 NOTE: This equipment has been tested and found to comply with the limits for a Class A digital device, pursuant to Part 15 of the FCC rules. These limits are designed to provide reasonable protection against harmful interference when the equipment is operated in a commercial environment. This equipment generates, uses and can radiate radio frequency energy and, if not installed and used in accordance with the instruction manual, may cause harmful interference to radio communications. Operation of this equipment in a residential area is likely to cause harmful interference in which case the user will be required to correct the interference at his own expense.

Safety Precautions

- 1 Do not touch the terminals with your fingers or metal objects.
Failure to observe this may result in electric shock or damage to the product.
- 2 Ensure the product does not fall or strongly impacted. The internal parts could break, which could then result in electric shock, fire, or damage to the product.
- 3 If the product has been damaged, request repair or inspection services from a dealer.
Continued use of the product may result in fire or electric shock.
- 4 Do not disassemble or alter this product in any way.
Failure to observe this could result in fire, electric shock, or damage to the product.
- 5 Do not obstruct heat dissipation.
 - Do not place a cloth, tablecloth or other such object over the product.
 - Do not place the product on top of a rug, carpet, etc.
 - Do not wedge or squeeze the product into a narrow space that has poor air circulation.
 - Do not block the ventilation holes.
 Allow ventilation space of at least 1 cm on the top, 1 cm on the left and right, and 5 cm on the back of this product.
Failure to observe the above may result in heat being trapped inside the product and cause a fire or damage to the product.
- 6 Do not place the product outdoors or in a location where water may drip on it.
Failure to observe this may result in fire, electric shock or damage to the product.
- 7 Do not install the product anywhere it will be exposed to dust or humidity, oily smoke or steam, or corrosive gas. Failure to observe this could result in fire, electric shock, or damage to the product.
- 8 Ensure that the product is on the level.
Do not place it upside down or in a vertical orientation. Failure to observe this may result in fire, electric shock or damage to the product.
- 9 Avoid installing the product where foreign object may fall onto the product and/or the product may be exposed to liquid dripping or splashing. On the top of the product, do not place:
 - Other components, as they may cause damage and/or discoloration on the surface of the product.
 - Burning objects (i.e. candles), as they may cause fire, damage to the product, and/or personal injury.
 - Containers with liquid in them, as they may fall and liquid may cause electrical shock to the user and/or damage to the product.
- 10 Do not insert foreign objects such as metal or paper in the product.
Failure to observe this may result in fire, electric shock or damage to the product.
- 11 If thunder is heard, avoid touching the product.
Failure to observe this may result in electric shock.
- 12 The product should be used at least 22 cm away from persons using a pacemaker, defibrillator, or similar device.
Failure to observe this may affect the pacemaker, resulting in a serious accident.
- 13 Do not use this product near medical equipment. Radio waves from this product may adversely affect the operation of electro-medical equipment. Do not use this product in locations where use of radio waves is restricted, such as near medical equipment.
- 14 Avoid damaging the microphone cables.
 - Do not place heavy objects on cables.
 - Do not modify cables.
 - Do not affix cables using staples.
 - Do not apply unnecessary force to cables.
 - Do not place cables near heat sources.
 Doing so may result in fire, electric shock or damage to the product.
- 15 Be sure to use the microphone cable that come with the product.
Using other microphone cables may result in fire, electric shock, or damage to the product.
- 16 Ensure your hands are dry when connecting or disconnecting the microphone or cables.
Failure to observe this may result in electric shock or damage to the product.
- 17 Ensure not to install the product anywhere unstable or where it will be exposed to vibrations as it could fall over or turn upside down, thus resulting in injury or damage to the product.
- 18 Ensure not to install the product anywhere it will be exposed to direct sunlight or extraordinarily high temperatures (near a heater, etc.). Failure to observe this could result in damage to the product.
- 19 Do not sit/stand on the product or place other objects on top of it.
Failure to observe this may result in damage to the product.
- 20 Ensure not to use the product anywhere it will be exposed to rapid changes in the ambient temperature. Any rapid change in the ambient temperature could result in condensation on the product, which could then result in damage to the product. Ensure to leave the product for a while until it has dried off with the power turned off if any condensation has occurred.
- 21 Ensure to earth any static electricity from your body or clothing before touching the product. Failure to observe this could result in damage to the product.
- 22 Route and connect the microphone cables correctly.
If the microphone cables are pulled or become caught on someone's leg, the product or connected equipment could tip over or fall, thus resulting in injury or damage to the product.
- 23 Do not connect the product to any item of equipment other than the YVC-CTU1000 or YVC-MIC1000.
Failure to observe this could result in fire, electric shock, or damage to the product.

Precautions for Use

- This product is intended for use in general offices and is not designed for use in any fields requiring a high degree of reliability in the handling of human lives or valuable assets.
- Please note that Yamaha cannot assume any responsibility for any damage resulting from improper use or configuration of the product.
- Depending on the usage environment, this product may generate noise in a telephone, radio, television etc. If this occurs, change the location where it is installed or its orientation.
- If you transfer this product to a third party, please pass this manual and accessories along with it.
- Ensure to follow the instructions of your local government when disposing of the product.

WARNING

TO REDUCE THE RISK OF FIRE OR ELECTRIC SHOCK, DO NOT EXPOSE THIS APPARATUS TO RAIN OR MOISTURE.

This device complies with Part 15 of the FCC Rules. Operation is subject to the following conditions:

- 1) this device may not cause harmful interference, and
- 2) this device must accept any interference received including interference that may cause undesired operation.

Warning: Operation of this equipment in a residential environment could cause radio interference.

Information for users on collection and disposal of old equipment:



This symbol on the products, packaging, and/or accompanying documents means that used electrical and electronic products should not be mixed with general household waste.

For proper treatment, recovery and recycling of old products, please take them to applicable collection points, in accordance with your national legislation.

By disposing of these products correctly, you will help to save valuable resources and prevent any potential negative effects on human health and the environment which could otherwise arise from inappropriate waste handling.

For more information about collection and recycling of old products, please contact your local municipality, your waste disposal service or the point of sale where you purchased the items.

For business users in the European Union:

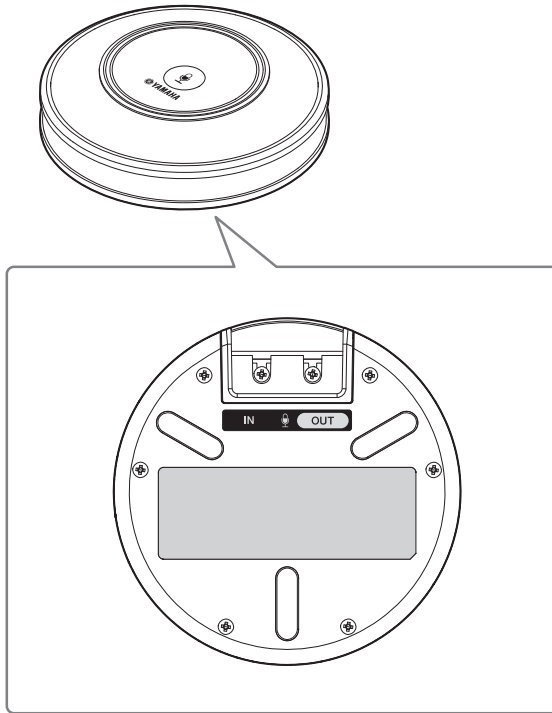
If you wish to discard electrical and electronic equipment, please contact your dealer or supplier for further information.

Information on Disposal in other Countries outside the European Union:

This symbol is only valid in the European Union. If you wish to discard these items, please contact your local authorities or dealer and ask for the correct method of disposal.

Location of name plate

The name plate is placed on the bottom of the microphone.



Introduction

Thank you for purchasing a YVC-MIC1000EX. The YVC-MIC1000EX is an optional microphone specifically designed for use with the YVC-1000, a unified communications microphone and speaker system.

Please thoroughly read this manual before installing and connecting the product.

Keep this manual in a safe place for future reference.

- No part of this manual may be copied or used in any form without permission of Yamaha.
- The contents of this manual apply to the latest specifications as of the publishing date. To obtain the latest manual, access the following website then download the manual file.
<https://uc.yamaha.com/resources/support/>
- Yamaha is not liable for any loss or damage to data resulting from use of the product. Please note that the warranty covers repair of the product only.

Check the contents

- Microphone (YVC-MIC1000) x 1
- Microphone cable (5 m) x 1
- User's Manual (this manual) x 1

Please read other instruction manuals as well as this manual

This manual contains fundamental information only.

For detailed information on how to use the product, please read the following:

YVC-1000 user's manual: Contains information about utilizing the product in combination with the YVC-1000.

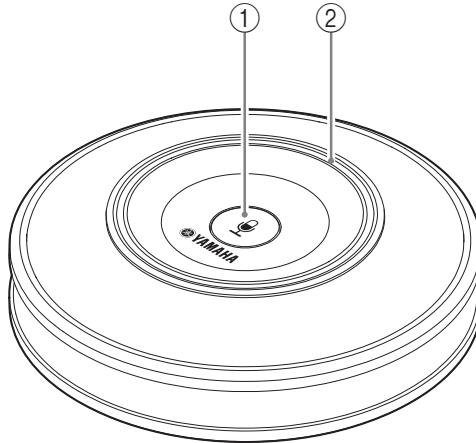
Please download the latest user's manual from the download page of our website.

■Download page

<https://uc.yamaha.com/resources/support/>

Controls and Functions

Microphone (YVC-MIC1000)



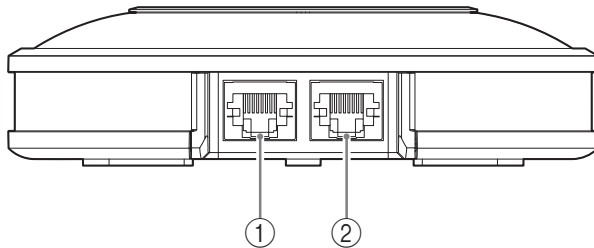
① Microphone mute button

Press to temporarily turn off (mute) the microphone. To cancel the mute function, press it again.

② Microphone status indicator

Lights up green when the microphone is active. Flashes red when the microphone is set to mute.

Microphone (YVC-MIC1000): Side



① Input terminal (IN)

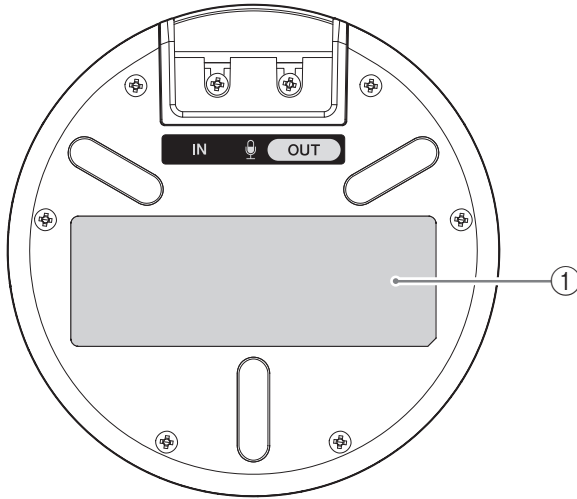
Connects the optional microphone (YVC-MIC1000EX) using the microphone cable.

② Output terminal (OUT)

Connects the microphone using the microphone cable.

For detailed instructions, refer to the YVC-1000 user's manual.

Microphone (YVC-MIC1000): Bottom



① Name plate

Provides the following information.

Model No.: Model number of the product

SERIAL LABEL: Serial number of the product

Specifications

General

Interface:	Input and output terminals
Operating environment:	Temperature: 0 to 40°C (32 to 104°F) Humidity: 20 to 85% (no condensation)
Storage environment:	Temperature: -20 to +50°C (-4 to 122°F) Humidity: 10 to 90% (no condensation)
Dimensions:	136 (W) x 36 (H) x 136 (D)mm (5.35 x 1.42 x 5.35 in)
Weight:	0.4 kg (0.9 lbs)
Accessories:	Microphone cable (5 m), User's Manual

Audio

Microphone units:	Unidirectional x 3
--------------------------	--------------------

Table des matières

PRÉCAUTIONS CONCERNANT LA SÉCURITÉ	2	Commandes et leurs fonctions	7
Consignes de sécurité	3	Microphone (YVC-MIC1000)	7
Précautions d'utilisation	4	Microphone (YVC-MIC1000): vue latérale	7
Emplacement de la plaque signalétique	5	Microphone (YVC-MIC1000): vue de dessous	8
Introduction	6	Caractéristiques techniques	9
Vérification du contenu	6	Généralités	9
Veillez lire les autres manuels d'instructions en plus de ce mode d'emploi	6	Son	9

PRÉCAUTIONS CONCERNANT LA SÉCURITÉ

ATTENTION

RISQUE DE CHOC ÉLECTRIQUE NE PAS OUVRIR

ATTENTION : POUR RÉDUIRE LES RISQUES D'INCENDIE ET DE DÉCHARGE ÉLECTRIQUE, NE PAS RETIRER LE COUVERCLE (OU LE PANNEAU ARRIÈRE). AUCUNE PIÈCE INTERNE NE PEUT ÊTRE CHANGÉE PAR L'UTILISATEUR. POUR L'ENTRETIEN, S'ADRESSER À UN PERSONNEL QUALIFIÉ.

• Explication des symboles



L'éclair avec une flèche à l'intérieur d'un triangle équilatéral est destiné à attirer l'attention de l'utilisateur sur la présence d'une « tension dangereuse » non isolée à l'intérieur du produit, pouvant être suffisamment élevée pour constituer un risque d'électrocution.



Le point d'exclamation à l'intérieur d'un triangle équilatéral est destiné à attirer l'attention de l'utilisateur sur la présence d'instructions importantes sur l'emploi ou de la maintenance (réparation) de l'appareil dans la documentation fournie.

- 1 Lire ces instructions.
- 2 Conserver ces instructions.
- 3 Tenir compte de tous les avertissements.
- 4 Suivre toutes les instructions.
- 5 Ne pas utiliser cet appareil à proximité de l'eau.

- 6 Nettoyer cet appareil avec un chiffon sec seulement.
- 7 Ne pas recouvrir les ailettes de ventilation. Installer l'appareil selon les instructions du fabricant.
- 8 Ne pas installer près d'une source de chaleur, comme un appareil de chauffage, une résistance électrique, un poêle, ou tout autre appareil (amplificateurs compris) produisant de la chaleur.
- 9 Ne pas désamorcer le système de sécurité d'une fiche polarisée ou d'une fiche avec mise à la terre. Une fiche polarisée est munie de deux lames, dont l'une est plus large que l'autre. Une fiche avec mise à la terre est munie de deux lames et d'une broche de terre. La lame la plus large ou la troisième broche sont reliées à la terre pour des raisons de sécurité. Si la fiche fournie ne s'insère pas dans la prise, s'adresser à un électricien pour faire remplacer la prise obsolète.
- 10 Protéger le cordon d'alimentation de sorte qu'il ne risque pas d'être piétiné ou coincé, surtout au niveau des fiches, des prises et de sa sortie de l'appareil.
- 11 Utiliser seulement les fixations et accessoires spécifiés par le fabricant.
- 12 Utiliser seulement le chariot, socle, trépied, support ou meuble spécifié par le fabricant ou vendu avec l'appareil. Si un chariot est utilisé, faire attention de ne pas se blesser ou de le renverser pendant le transport de l'appareil.



- 13 Débrancher cet appareil pendant les orages électriques, ou s'il ne doit pas être utilisé pendant un certain temps.
- 14 Pour toute inspection s'adresser à un personnel qualifié. Une inspection est nécessaire en cas de dommage, quel qu'il soit, par exemple cordon d'alimentation ou fiche endommagé, liquide répandu ou objet tombé à l'intérieur de l'appareil, exposition de l'appareil à la pluie ou à l'humidité, fonctionnement anormal ou chute de l'appareil.

Consignes de sécurité

- 1 Ne touchez pas les bornes avec vos doigts ou des objets métalliques.
Le non-respect de cette consigne pourrait provoquer une décharge électrique ou endommager le produit.
- 2 Veillez à ce que le produit ne tombe pas ou ne soit soumis à aucun choc violent. Les composants internes pourraient se casser, ce qui pourrait provoquer une décharge électrique, un incendie ou endommager le produit.
- 3 En cas d'endommagement du produit, demandez à un revendeur de le réparer ou de l'inspecter.
Si vous continuez à utiliser le produit dans ces conditions, vous risquez de provoquer un incendie ou une décharge électrique.
- 4 Ce produit ne peut être démonté ou modifié d'aucune manière.
Le non-respect de cette consigne pourrait provoquer un incendie, une décharge électrique ou endommager le produit.
- 5 N'empêchez pas la dissipation de chaleur.
 - Ne couvrez pas l'appareil d'un chiffon, d'une nappe ou d'un autre objet de ce type.
 - Ne placez pas le produit sur un tapis, une moquette, etc.
 - Ne coinciez ou n'enfonchez pas le produit dans un espace exigü mal ventilé.
 - N'obstruez pas les orifices d'aération.
 Laissez un espace d'aération d'au moins 1 cm au dessus, 1 cm à gauche et à droite et 5 cm à l'arrière de l'appareil.
Le non-respect des consignes ci-dessus pourrait emprisonner la chaleur à l'intérieur de l'appareil et provoquer un incendie ou endommager le produit.
- 6 Ne placez pas le produit à l'extérieur ou dans un endroit susceptible d'être exposé à l'eau.
Le non-respect de cette consigne pourrait provoquer un incendie, une décharge électrique ou endommager le produit.
- 7 N'installez pas le produit dans un endroit où il pourrait être exposé à la poussière ou l'humidité, à de la fumée ou à de la vapeur huileuse, ou à un gaz corrosif. Le non-respect de cette consigne pourrait provoquer un incendie, une décharge électrique ou endommager le produit.
- 8 Veillez à placer le produit sur une surface plane.
Ne le placez pas à l'envers ou à la verticale. Le non-respect de cette consigne pourrait provoquer un incendie, une décharge électrique ou endommager le produit.
- 9 Évitez d'installer l'appareil dans un endroit où des objets peuvent tomber et où l'appareil pourrait être exposé à des éclaboussures ou des gouttes d'eau. Sur le dessus de cet appareil, ne placez pas:
 - d'autres appareils car cela risquerait d'endommager la surface de l'appareil ou de provoquer sa décoloration.
 - des objets se consumant (par exemple, une bougie) car cela pourrait provoquer un incendie, endommager l'appareil ou vous blesser.
 - des récipients contenant des liquides car ils risqueraient de se renverser et de causer des décharges électriques ou d'endommager l'appareil.
- 10 N'introduisez pas de corps étrangers, tels que du métal ou du papier, dans le produit.
Le non-respect de cette consigne pourrait provoquer un incendie, une décharge électrique ou endommager le produit.
- 11 Évitez de toucher le produit lors d'un orage.
Le non-respect de cette consigne pourrait provoquer une décharge électrique.
- 12 Il convient d'utiliser le produit à plus de 22 cm d'un stimulateur cardiaque.
Le non-respect de cette consigne pourrait perturber le stimulateur et provoquer un accident grave.
- 13 N'utilisez pas ce produit à proximité d'équipement médical. Les ondes radio émises par ce produit peuvent nuire au fonctionnement des appareils électriques utilisés en médecine. N'utilisez pas ce produit dans des endroits où l'utilisation d'ondes radio est restreinte, comme à proximité d'équipement médical.
- 14 Évitez d'endommager les câbles du microphone.
 - Ne déposez pas d'objets lourds sur les câbles.
 - Ne modifiez pas les câbles.
 - Ne fixez pas les câbles à l'aide d'agrafes.
 - Ne forcez pas inutilement sur les câbles.
 - Ne placez pas les câbles à proximité de sources de chaleur.
 Cela pourrait provoquer un incendie ou une décharge électrique, ou encore endommager le produit.
- 15 Utilisez le câble du microphone fourni avec le produit.
L'utilisation d'un autre câble pourrait provoquer un incendie, une décharge électrique ou endommager le produit.
- 16 Vos mains doivent être sèches pour brancher et débrancher la fiche d'alimentation ou les câbles.
Le non-respect de cette consigne pourrait provoquer une décharge électrique ou endommager le produit.
- 17 N'installez pas l'appareil sur une surface non stable ou dans un endroit où il pourrait être exposé à des vibrations pouvant le faire tomber ou le renverser, provoquant ainsi des lésions ou des dommages à l'appareil.
- 18 N'installez pas cet appareil dans un endroit où il pourrait être exposé à la lumière directe du soleil ou à des températures extrêmement élevées (à proximité d'un chauffage, etc.). Le non-respect de cette consigne pourrait endommager l'appareil.
- 19 Ne vous asseyez pas/mettez pas debout sur l'appareil et ne placez pas d'autres objets dessus.
Le non-respect de cette consigne pourrait endommager l'appareil.
- 20 Veillez à ne pas utiliser l'appareil dans un endroit où il pourrait être exposé à des variations rapides de la température ambiante. Tout changement brutal de la température ambiante pourrait provoquer la formation de condensation sur l'appareil et l'endommager. En cas de formation de condensation, coupez l'alimentation de l'appareil et laissez-le sécher pendant un certain temps.
- 21 Veillez à mettre à la masse l'électricité statique de votre corps ou de vos vêtements avant de toucher l'appareil. Le non-respect de cette consigne pourrait endommager l'appareil.
- 22 Veillez à acheminer et raccorder les câbles correctement.
Si quelqu'un tire sur les câbles ou se prend les pieds dedans, le produit ou l'équipement raccordé risque de basculer ou tomber, provoquant des blessures ou endommageant le produit.
- 23 Ne raccordez pas le produit à un équipement autre que le YVC-CTU1000 ou le YVC-MIC1000.
Le non-respect de cette consigne pourrait provoquer un incendie, une décharge électrique ou endommager le produit.

Précautions d'utilisation

- Cet appareil est destiné à être utilisé dans des bâtiments administratifs et pas dans des contextes nécessitant une importante fiabilité lors de la prise en charge de vies humaines ou de biens précieux.
- Yamaha rejette toute responsabilité quant aux éventuels dommages découlant d'une utilisation ou configuration induite de l'appareil.
- En fonction de son environnement d'utilisation, cet appareil peut produire des interférences dans un téléphone, une radio, une télévision, etc. Si cela devait se produire, installez-le ailleurs ou orientez-le différemment.
- En cas de cession de cet appareil à un tiers, remettez-lui ce mode d'emploi et les accessoires l'accompagnant.
- En cas de mise au rebut de l'appareil, respectez la réglementation locale en vigueur.

AVERTISSEMENT

POUR RÉDUIRE LES RISQUES D'INCENDIE OU DE DÉCHARGE ÉLECTRIQUE, N'EXPOSEZ PAS CET APPAREIL À LA PLUIE OU À L'HUMIDITÉ.

Avertissement : La mise en service de cet équipement dans un environnement résidentiel pourrait créer des interférences radio.

Informations concernant la collecte et le traitement des déchets d'équipements électriques et électroniques



Le symbole sur les produits, l'emballage et/ou les documents joints signifie que les produits électriques et électroniques usagés ne doivent pas être mélangés avec les déchets domestiques habituels. Pour un traitement, une récupération et un recyclage appropriés des déchets d'équipements électriques et électroniques, veuillez les déposer aux points de collecte prévus à cet effet, conformément à la réglementation nationale.

En vous débarrassant correctement des déchets d'équipements électriques et électroniques, vous contribuerez à la sauvegarde de précieuses ressources et à la prévention de potentiels effets négatifs sur la santé humaine qui pourraient advenir lors d'un traitement inapproprié des déchets.

Pour plus d'informations à propos de la collecte et du recyclage des déchets d'équipements électriques et électroniques, veuillez contacter votre municipalité, votre service de traitement des déchets ou le point de vente où vous avez acheté les produits.

Pour les professionnels dans l'Union européenne :

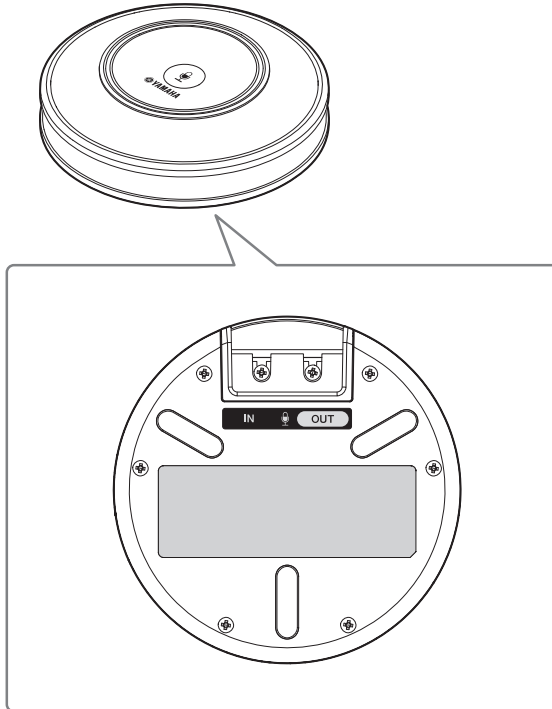
Si vous souhaitez vous débarrasser des déchets d'équipements électriques et électroniques, veuillez contacter votre vendeur ou fournisseur pour plus d'informations.

Informations sur la mise au rebut dans d'autres pays en dehors de l'Union européenne :

Ce symbole est seulement valable dans l'Union européenne. Si vous souhaitez vous débarrasser de déchets d'équipements électriques et électroniques, veuillez contacter les autorités locales ou votre fournisseur et demander la méthode de traitement appropriée.

Emplacement de la plaque signalétique

La plaque de nom est située au dessous du microphone.



Introduction

Nous vous remercions d'avoir acheté un YVC-MIC1000EX. Le YVC-MIC1000EX est un microphone en option spécifiquement conçu pour être utilisé avec le YVC-1000, un système intégré Haut-parleurs et Microphone pour Communications Unifiées.

Lisez attentivement ce manuel avant d'installer et de raccorder l'unité.

Conservez-le soigneusement pour référence.

- Aucune partie du présent manuel ne peut être copiée ou utilisée sous quelque forme que ce soit sans l'autorisation de Yamaha.
- Le contenu de ce mode d'emploi s'applique aux dernières caractéristiques techniques connues à la date de publication du manuel. Pour obtenir la version la plus récente du manuel, accédez au site ci-dessous puis téléchargez le fichier du manuel concerné.
<https://uc.yamaha.com/resources/support/>
- Yamaha ne peut être tenue responsable de toute perte de données ou de tout dommage résultant de l'utilisation du produit. Notez que la garantie couvre les réparations de ce produit uniquement.

Vérification du contenu

- Microphone (YVC-MIC1000) x 1
- Câble du microphone (5 m) x 1
- Manuel de l'utilisateur (le présent mode d'emploi) x 1

Veillez lire les autres manuels d'instructions en plus de ce mode d'emploi

Ce mode d'emploi contient uniquement des informations de base.

Lisez le mode d'emploi suivant pour obtenir des informations détaillées sur l'utilisation du produit:

Manuel de l'utilisateur du YVC-1000 : contient des informations sur l'utilisation du produit en combinaison avec le YVC-1000.

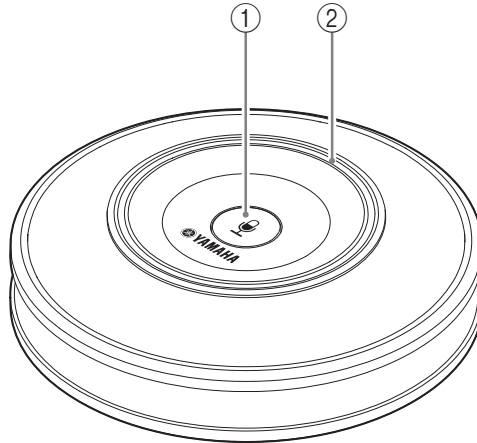
Veillez télécharger le manuel de l'utilisateur le plus récent depuis la page de téléchargement de notre site Web.

■ Page de téléchargement

<https://uc.yamaha.com/resources/support/>

Commandes et leurs fonctions

Microphone (YVC-MIC1000)



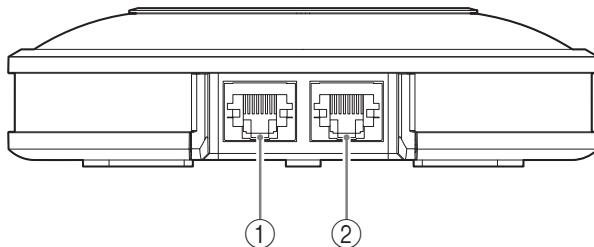
① Touche de mise en sourdine du microphone

Appuyez pour couper (mettre en sourdine) temporairement le microphone. Pour annuler la fonction de mise en sourdine, appuyez de nouveau sur la touche.

② Témoin d'état du microphone

S'allume en vert lorsque le microphone est activé. Clignote en rouge lorsque le microphone est en sourdine.

Microphone (YVC-MIC1000): vue latérale



① Borne d'entrée (IN)

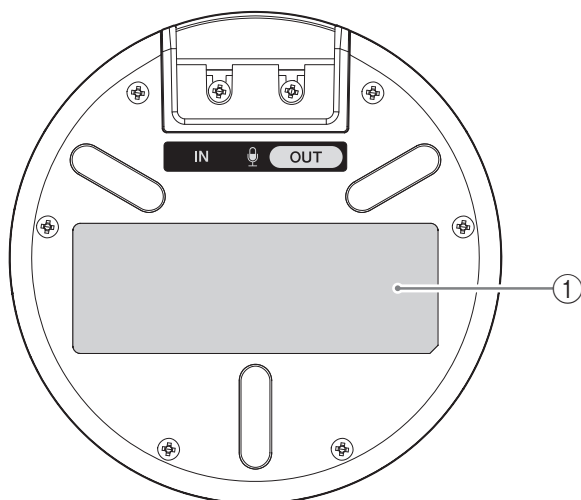
Permet de raccorder le microphone optionnel (YVC-MIC1000EX) à l'aide du câble du microphone.

② Borne de sortie (OUT)

Permet de raccorder le microphone à l'aide du câble du microphone.

Pour des instructions détaillées, reportez-vous au manuel de l'utilisateur du YVC-1000.

Microphone (YVC-MIC1000): vue de dessous



① Plaque signalétique

Fournit les informations suivantes.

Model No.: numéro de modèle de ce produit

SERIAL LABEL: numéro de série de ce produit

Caractéristiques techniques

Généralités

Interface:	Bornes d'entrée et de sortie
Conditions d'utilisation:	Température: 0 à 40°C (32 à 104°F) Humidité: 20 à 85% (sans condensation)
Conditions de stockage:	Température: -20 à +50°C (-4 à 122°F) Humidité: 10 à 90% (sans condensation)
Dimensions:	136 (W) x 36 (H) x 136 (D) mm (5,35 x 1,42 x 5,35 in)
Poids :	0,4 kg (0,9 lbs)
Accessoires:	Câble du microphone (5 m), Manuel de l'utilisateur

Son

Unités de microphone:	Unidirectionnel x 3
------------------------------	---------------------

目次

安全上のご注意	2	本製品のお客様サポートについて (サポート規定)	9
「警告」と「注意」について	2	サポート窓口のご案内	10
記号表示について	2	各部の名称とはたらき	11
警告	3	マイク (YVC-MIC1000)	11
注意	5	マイク (YVC-MIC1000) : 側面	11
使用上のご注意	6	マイク (YVC-MIC1000) : 底面	12
銘板の位置	7	主な仕様	13
はじめに	8	総合	13
箱の中身をご確認ください	8	オーディオ	13
本書以外の説明書もご覧ください	8		

安全上のご注意

本製品を安全にお使いいただくために、本書の「警告」と「注意」をよくお読みになり、必ず守ってお使いください。本書に示した「警告」と「注意」は、製品を安全に正しくご使用いただき、お客様や他の方々への危害や財産への損害を未然に防止するためのものです。お読みになったあとは、使用される方がいつでも見られる場所に必ず保管してください。

「警告」と「注意」について

以下、誤った取り扱いをすると生じることが想定される内容を、危害や損害の大きさと切迫の程度を明示するために、「警告」と「注意」に区分して掲載しています。

⚠警告



この表示の欄は、「死亡する可能性または重傷を負う可能性が想定される」内容です。

⚠注意







この表示の欄は、「傷害を負う可能性または物的損害が発生する可能性が想定される」内容です。




記号表示について

本書に表示されている記号には、次のような意味があります。

	「～しないでください」という禁止を示します。
	「実行してください」という強制を示します。

 **警告**

 禁止	<p>端子部を指や金属で触れない。 感電や故障の原因になります。</p>
 禁止	<p>本製品を落下させたり、強い衝撃を与えない。 内部の部品が破損し、感電や火災、故障の原因となります。</p>
 必ず実行	<p>本製品が破損した場合には、必ず販売店に点検や修理を依頼する。 そのまま使用すると、火災や感電の原因になります。</p>
 分解禁止	<p>分解・改造は絶対にしない。 火災や感電、故障の原因になります。</p>
 禁止	<p>放熱を妨げない。 <ul style="list-style-type: none"> • 布やテーブルクロスをかけない • じゅうたん、カーペットの上には設置しない • 通風口をふさがない • 通気性の悪い狭いところへは押し込まない 本製品の周囲に左右 1cm、上 1cm、背面 5cm 以上のスペースを確保する 本製品の内部に熱がこもり、火災や故障の原因になります。</p>
 禁止	<p>本製品は屋外や、水滴のかかる場所には設置しない。 火災や感電、故障の原因になります。</p>
 禁止	<p>ほこりや湿気が多い場所、油煙や湯気があたる場所、腐蝕性ガスがかかる場所に設置しない。 火災や感電、故障の原因になります。</p>
 必ず実行	<p>水平置きで設置する。 上下逆さまや縦置きで設置した場合、火災や感電、故障の原因になります。</p>
 禁止	<p>本製品の上には、花瓶・植木鉢・コップ・化粧品・薬品・ロウソクなどを置かない。 水や異物が入ると、火災や感電の原因になります。</p>
 禁止	<p>内部に金属や紙片など異物を入れない。 火災や感電、故障の原因になります。</p>
 接触禁止	<p>雷が鳴りはじめたら、本製品には触れない。 感電の恐れがあります。</p>

 <p>必ず実行</p>	<p>心臓ペースメーカーまたは除細動器などを装着している人から22 cm 以上離してご使用ください。</p> <p>ペースメーカーに影響を与え重大事故につながるおそれがあります。</p>
 <p>禁止</p>	<p>医療機器の近くでは使用しない。</p> <p>電波が医療用電気機器に影響を与えるおそれがあります。</p> <p>医療機器の近くなどの電波の使用が制限された区域では使わないでください。</p>
 <p>禁止</p>	<p>YVC-CTU1000 および YVC-MIC1000 以外の機器と接続しない。</p> <p>火災や感電、故障の原因になります。</p>

⚠ 注意

 禁止	<p>マイクケーブルを傷つけない。</p> <ul style="list-style-type: none"> • 重いものを上に載せない • 加工をしない • ステーブルで止めない • 無理な力を加えない • 熱器具には近づけない <p>火災や感電、故障の原因になります。</p>
 必ず実行	<p>必ず付属のマイクケーブルを使用する。 それ以外のマイクケーブルを使用すると、火災や感電、故障の原因になります。</p>
 ぬれ手禁止	<p>ぬれた手でマイクケーブルを抜き差ししない。 感電や故障の原因になります。</p>
 禁止	<p>不安定な場所や振動する場所には設置しない。 本製品が落下や転倒して、けがや故障の原因になります。</p>
 禁止	<p>直射日光のあたる場所や、温度が異常に高くなる場所（暖房機のそばなど）には設置しない。 故障の原因になります。</p>
 禁止	<p>本製品の上に乗ったり、物を置いたりしない。 故障の原因になります。</p>
 禁止	<p>環境温度が急激に変化する場所では使用しない。 環境温度が急激に変化すると、本製品に結露が発生することがあります。そのまま使用すると故障の原因になるため、結露が発生したときは電源を入れない状態で乾くまでしばらく放置してください。</p>
 必ず実行	<p>本製品に触れるときは、人体や衣服から静電気を除去する。 静電気によって故障するおそれがあります。</p>
 必ず実行	<p>マイクケーブルは正しく配置、接続する。 マイクケーブルを引っ張ったり足にひっかけたりすると、本製品や接続機器の転倒や落下などにより、けがや故障の原因になります。</p>

使用上のご注意

- 本製品は一般オフィス向けの製品であり、人の生命や高額財産などを扱うような高度な信頼性を要求される分野に適応するには設計されていません。
- 本製品の使用方法や設定を誤って使用した結果発生したあらゆる損失について、弊社では一切その責任を負いかねますので、あらかじめご了承ください。
- 本製品のご使用にあたり、周囲の環境によっては電話、ラジオ、テレビなどに雑音が入る場合があります。雑音が入る場合は、本製品の設置場所、向きを変えてみてください。
- 本製品を譲渡する際は、本書と付属品も合わせて譲渡してください。
- 本製品を廃棄する際はお住まいの自治体の指示に従ってください。

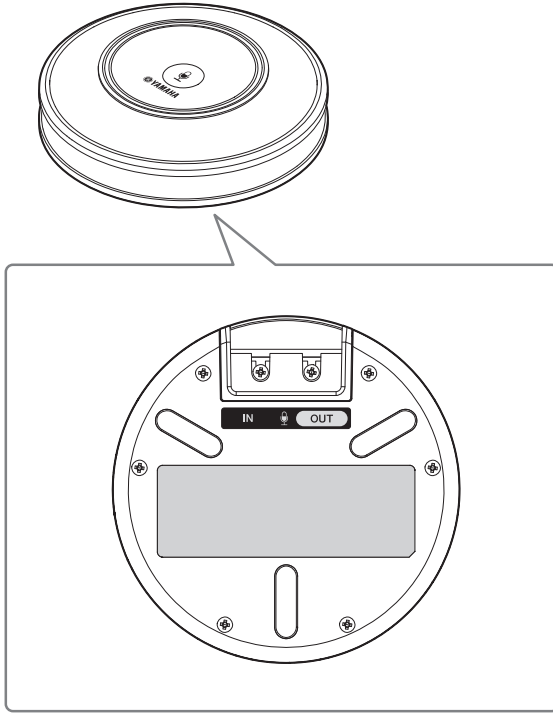
電波障害自主規制について

この装置は、クラス A 情報技術装置です。この装置を家庭環境で使用すると電波妨害を引き起こすことがあります。この場合には使用者が適切な対策を講ずるよう要求されることがあります。

VCCI-A

銘板の位置

銘板は、マイクの底面にあります。



はじめに

ヤマハ YVC-MIC1000EX をお買い上げいただきありがとうございます。本製品はユニファイドコミュニケーションマイクスピーカーシステム YVC-1000 専用の拡張マイクです。

お使いになる前に本書をよくお読みになり、正しく設置や接続を行ってください。

本書はなくさないように、大切に保管してください。

- 本書の記載内容の一部または全部を無断で転載することを禁じます。
- 本書は、発行時点での最新仕様で説明しています。最新版は、下記のウェブサイトからダウンロードできます。
<https://sound-solution.yamaha.com/download/>
- 本製品を使用した結果発生した情報の消失などの損失については、弊社ではいかなる責任も負いかねます。保証は本製品の物損の範囲に限ります。あらかじめご了承ください。

箱の中身をご確認ください

- マイク (YVC-MIC1000) × 1
- マイクケーブル (5m) × 1
- 取扱説明書 (本書) × 1
- 保証書 × 1

本書以外の説明書もご覧ください

本書は基本的な情報のみを記載しています。

詳しい使い方については、以下の説明書も合わせてご覧ください。

YVC-1000 取扱説明書：本製品を YVC-1000 と組み合わせて活用するための情報を記載しています。

弊社 Web サイトのダウンロードページから最新の取扱説明書をダウンロードしてください。

■ダウンロードページ

<https://sound-solution.yamaha.com/download/>

本製品のお客サポートについて（サポート規定）

ヤマハ株式会社は、お客様が本製品を快適にご利用いただけますように、また本製品の性能、機能を最大限に活用していただけますように、以下の内容、条件でサポートをご提供します。

1. サポート方法

- ① FAQ、技術情報、設定例、ソリューション例などの Web 掲載
- ② 電話でのご質問への回答
- ③ お問い合わせフォームからのご質問への回答
- ④ カタログ送付
- ⑤ 代理店・販売店からの回答

ご質問内容によっては代理店・販売店へご質問内容を案内し、代理店・販売店よりご回答させていただく場合がありますのであらかじめご了承のほどお願い致します。

2. サポート項目

- ① 製品仕様について
- ② お客様のご利用環境に適した弊社製品の選定について
- ③ 簡易な構成での利用方法について
- ④ 製品の修理について
- ⑤ 代理店または販売店のご紹介

3. 免責事項・注意事項

- ① 回答内容につきましては正確性を欠くことのないように万全の配慮をしておりますが、回答内容の保証、及び回答結果に起因して生じるあらゆる事項について弊社は一切の責任を負うことはできません。また、サポートの結果又は製品をご利用いただいたことによって生じたデータの消失や動作不良などによって発生した経済的損失、その対応のために費やされた時間的・経済的損失、直接的か間接的かを問わず逸失利益などを含む損失及びそれらに付随的な損失などのあらゆる損失について弊社は一切の責任を負うことはできません。なお、これらの責任に関しては弊社が事前にその可能性を知らされていた場合でも同様です。ただし、契約及び法律でその履行義務を定めた内容は、その定めるところを遵守するものと致します。
- ② ファームウェアの修正は弊社が修正を必要と認めたものについて生産終了後 2 年間行います。
- ③ 質問受付対応、修理対応は生産終了後 5 年間行います。
- ④ 期日・時間指定のサポート、日本語以外でのサポートは行っていません。
- ⑤ お問い合わせの回答を行うにあたって、必要な情報のご提供をお願いする場合があります。情報のご提供がない場合は適切なサポートができない場合があります。
- ⑥ 再現性がない、及び特殊な環境でしか起きないなどの事象に関しては、解決のための時間がかかたり適切なサポートが行えない場合があります。
- ⑦ 他社サービス、他社製品、及び他社製品との相互接続に関するサポートは弊社 Web 上に掲載している範囲に限定されます。
- ⑧ やむを得ない事由により本製品の返品・交換が生じた場合は、ご購入店経由となります。なお、返品・交換に際しましてはご購入店、ご購入金額を証明する証憑が必要となります。
- ⑨ 製品の修理は代理店・販売店経由で受け付けてさせていただきます。弊社への直接持ち込みはできません。また、着払いでの修理品受付は致しておりません。発送は弊社指定の通常宅配便（国内発送のみ）にて行わせていただきます。修理完了予定期間は変更になる場合がありますのでご了承のほどお願い致します。なお、保証期間中の無料修理（無料例外事項）などの詳細規定は保証書に記載しております。
- ⑩ 上記サポート規定は予告なく変更されることがあります。

サポート窓口のご案内

本製品に関するご質問やお問い合わせは、下記へご連絡ください。

■音声コミュニケーション機器お客様相談センター

TEL : 03-5651-1838

ご相談受付時間

9 : 00 ~ 12 : 00、13 : 00 ~ 17 : 00

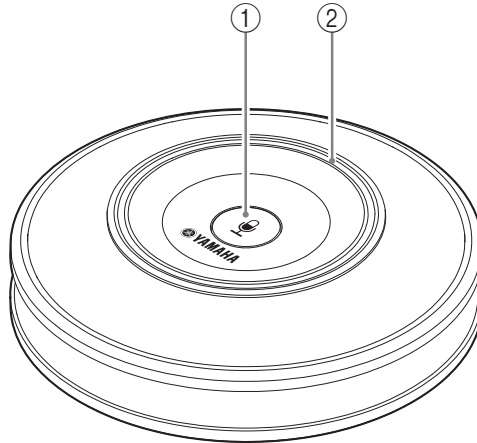
(土・日・祝日、弊社定休日、年末年始は休業とさせていただきます)

■お問い合わせページ

<https://sound-solution.yamaha.com/support/uc/>

各部の名称とはたらき

マイク (YVC-MIC1000)



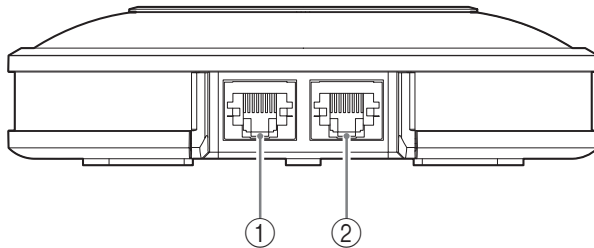
① マイクミュートボタン

マイクを一時的に停止（ミュート）する際に押します。もう一度押すとミュートは解除されます。

② マイクステータスインジケータ

マイクが有効のときは緑色に点灯します。マイクミュート時は赤色に点滅します。

マイク (YVC-MIC1000) : 側面



① 入力端子 (IN)

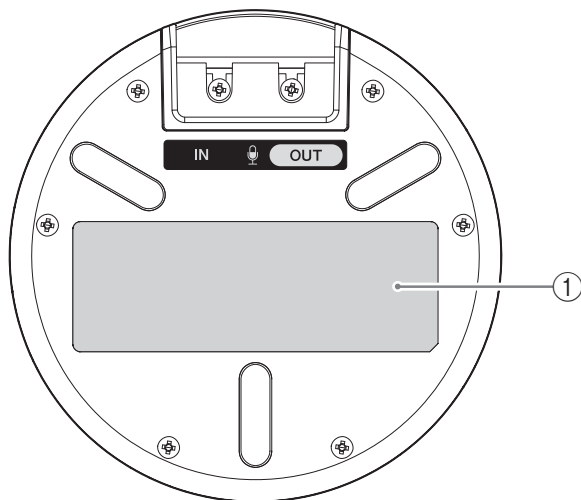
オプションのマイク (YVC-MIC1000EX) とマイクケーブルで接続します。

② 出力端子 (OUT)

マイクとマイクケーブルで接続します。

本製品の接続方法や使い方については、YVC-1000 取扱説明書をご覧ください。

マイク (YVC-MIC1000) : 底面



① 銘板

以下の情報が記載されています。

Model No. : 本製品の機器名が記載されています。

SERIAL LABEL : 製品を管理 / 区分するための製造番号 (シリアル番号) が記載されています。

主な仕様

総合

外部インターフェース:	入力端子、出力端子
動作環境:	温度：0～40℃ 湿度：20～85%（結露しないこと）
保管環境:	温度：-20～+50℃ 湿度：10～90%（結露しないこと）
寸法:	136(W) × 36(H) × 136(D) mm
質量:	0.4kg
付属品:	マイクケーブル（5m）、取扱説明書、保証書

オーディオ

マイクユニット:	単一指向性 × 3
----------	-----------

目录

安全须知	2	控制装置和功能	7
使用须知	4	麦克风 (YVC-MIC1000)	7
铭牌位置	5	麦克风 (YVC-MIC1000) : 侧面	7
介绍	6	麦克风 (YVC-MIC1000) : 底部	8
检查内容	6	规格	9
除本手册之外, 请阅读其它		常规	9
使用说明书	6	音频	9

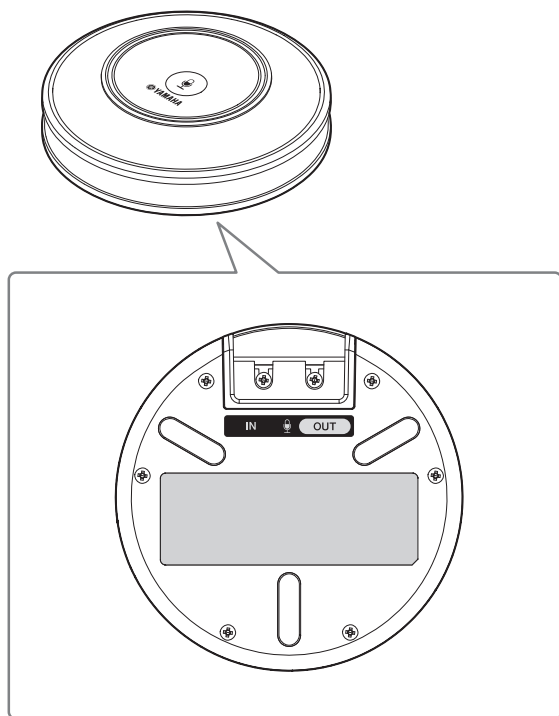
安全须知

- 1 请勿用手指或金属物体触碰端口。
未遵循此项可能会导致触电或损坏本产品。
- 2 请确保本产品不会跌落或受到强烈撞击。内部元件可能会损坏，从而导致触电、火灾或损坏本产品。
- 3 如果本产品已损坏，则请求经销商进行维修或检查。
继续使用本产品可能会导致火灾或触电。
- 4 请勿以任何方式拆卸或改装本产品。
未遵循此项可能会导致火灾、触电或损坏本产品。
- 5 请勿阻碍散热。
 - 请勿在本产品上放置衣服、桌布或此类物体。
 - 请勿将本产品放置在毛毯和地毯等表面上。
 - 请勿将本产品挤放在通风不良的狭窄空间内。
 - 请勿阻挡通风孔。
本产品的允许通风空间至少为顶部 1 cm、左右各 1 cm 及背部 5 cm。
未遵循上述要求可能会导致热量积聚在本产品内，从而造成火灾或本产品损坏。
- 6 请勿将本产品放置在室外或可能会受水淋的场所。
未遵循此项可能会导致火灾、触电或损坏本产品。
- 7 请勿将本产品安装在易受灰尘、湿气、油烟、蒸汽或腐蚀性气体影响的地方。
未遵循此项可能会导致火灾、触电或损坏本产品。
- 8 请确保本产品保持水平。
请勿上下颠倒或垂直放置。未遵循此项可能会导致火灾、触电或损坏本产品。
- 9 避免将本设备安装在异物可能会跌落在本设备上和 / 或本设备可能会受到液体滴溅的场所。请勿在本设备顶部放置以下物体：
 - 其它组件，因其可能会导致本机表面损坏和 / 或变形。
 - 点燃物（如蜡烛等），因其可能会导致火灾、损坏本设备和 / 或人身伤害。
 - 含有液体的容器，因其可能会跌落且液体可能会导致使用者触电和 / 或损坏本产品。
- 10 请勿将金属或纸张等异物插入本产品。
未遵循此项可能会导致火灾、触电或损坏本产品。
- 11 如果听到雷声，请勿触碰本产品。
未遵循此项可能会导致触电。
- 12 本产品应远离心脏起搏器至少 22 cm 处使用。
未遵循此项可能会影响心脏起搏器，从而导致严重事故。
- 13 请勿在医疗设备附近使用本产品。本产品发出的无线电波可能会对电子医疗设备的操作产生不利影响。请勿在限制无线电波的场所（如医疗设备等附近）使用本产品。
- 14 避免损坏麦克风电线。
 - 请勿在电线上放置重物。
 - 请勿改装电线。
 - 请勿用图钉固定电线。
 - 请勿对电线用力过大。
 - 请勿将电线放置在热源附近。
否则可能会导致火灾、触电或本产品损坏。
- 15 请务必使用随本产品附带的麦克风电线。
使用其它麦克风电线可能会导致火灾、触电或损坏本产品。
- 16 连接或断开连接麦克风或电线时，请保持手部干燥。
未遵循此项可能会导致触电或损坏本产品。

- 17 切勿将本产品安装在不平稳或易受震动的地方，否则可能会跌落或倒置，从而导致人身伤害或损坏本产品。
- 18 切勿将本产品安装在易受阳光直射或极高温度（电热器等附近）的地方。未遵循此项可能会导致本产品损坏。
- 19 请勿坐 / 站立于本产品上或在本产品顶部放置其它物体。
未遵循此项可能会导致本产品损坏。
- 20 切勿在本产品会受环境温度骤变影响的场所使用本产品。环境温度的任何骤变可能会导致湿气凝结在本产品上，从而可能会导致产品损坏。如果出现湿气凝结，请在本产品电源关闭的情况下将其搁置一段时间直至其完全干燥。
- 21 在触碰本产品前，请确保将身体或衣服上的静电接地。未遵循此项可能会导致本产品损坏。
- 22 正确排布和连接麦克风缆线。
如果麦克风缆线被扯拉或被脚绊住，则本产品或连接的设备可能会倾倒或跌落，从而造成人身伤害或产品损坏。
- 23 请勿将本产品连接至 YVC-CTU1000 或 YVC-MIC1000 以外的任何设备。
未遵循此项可能会导致火灾、触电或损坏本产品。

铭牌位置

铭牌位于麦克风的底部。



介绍

感谢您购买 YVC-MIC1000EX。YVC-MIC1000EX 是一个选购麦克风，专门设计与 YVC-1000（统一通信全向麦克风和扬声器组合）一起使用。

在安装和连接本产品之前，请仔细阅读本手册。

将本手册存放在安全的地方以备将来参考。

- 未经 Yamaha 许可，不得以任何形式复制或使用本手册的任何部分。
- 本使用说明书的内容为出版时最新的技术规格。请至以下网站下载最新版本的使用说明书。
<https://www.yamaha.com/products/zh/communication/support/>
- Yamaha 不对使用本产品造成的任何损失或损害承担任何责任。请注意，保修仅包含本产品的维修。

检查内容

- 麦克风（YVC-MIC1000）x 1
- 麦克风缆线（5 m）x 1
- 用户手册（本手册）x 1

除本手册之外，请阅读其它使用说明书

本手册仅包含基础信息。

有关如何使用本设备的详细信息，请阅读以下内容：

YVC-1000 用户手册：包含有关结合 YVC-1000 使用本产品的信息。

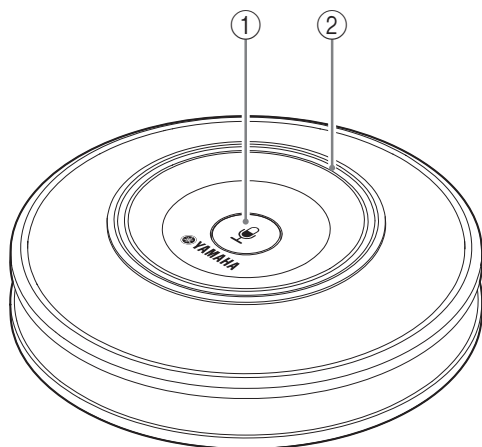
请从我们网站的下载页面下载最新的用户手册。

■ 下载页面

<https://www.yamaha.com/products/zh/communication/support/>

控制装置和功能

麦克风 (YVC-MIC1000)



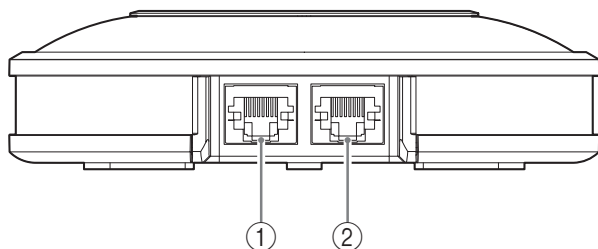
① 麦克风静音按钮

按下暂时关闭（静音）麦克风。若要取消静音功能，则再按该按钮。

② 麦克风状态指示灯

当麦克风开启时亮起绿色。当麦克风设置为静音时闪烁红色。

麦克风 (YVC-MIC1000) : 侧面



① 输入端口 (IN)

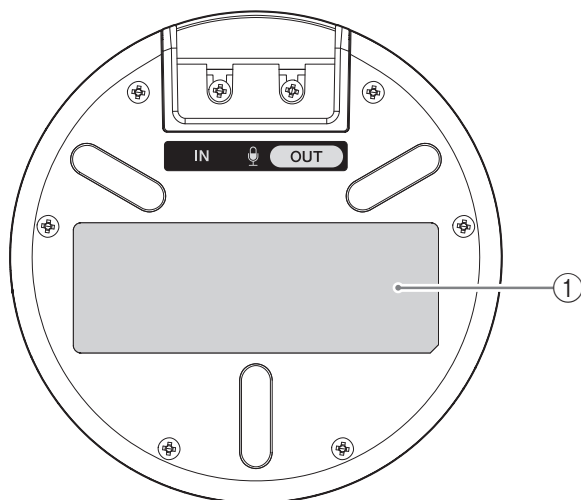
使用麦克风缆线连接选购的麦克风 (YVC-MIC1000EX)。

② 输出端口 (OUT)

使用麦克风缆线连接麦克风。

有关详细说明，请参阅 YVC-1000 用户手册。

麦克风 (YVC-MIC1000) : 底部



① 铭牌

提供以下信息。

Model No. (型号): 本设备的型号

SERIAL LABEL: 本设备的序列号

规格

常规

接口:	输入和输出端口
运行环境:	温度: 0 至 40°C 湿度: 20 至 85% (无冷凝)
存放环境:	温度: -20 至 +50°C 湿度: 10 至 90% (无冷凝)
尺寸:	136 (W) x 36 (H) x 136 (D) mm
重量:	0.4 kg
附件:	麦克风缆线 (5 m), 用户手册

音频

麦克风单元:	单指向性 x 3
--------	----------

목차

안전 관련 주의 사항	2	제어장치 및 기능	6
사용 관련 주의 사항	3	마이크로폰 (YVC-MIC1000)	6
명판 위치	4	마이크로폰 (YVC-MIC1000): 측면	6
소개	5	마이크로폰 (YVC-MIC1000): 바닥	7
내용물 확인	5	사양	8
본 설명서뿐 아니라 다른 지침 설명서도 읽어보시기 바랍니다.	5	일반	8
		음향	8

안전 관련 주의 사항

- 1 손가락 또는 금속 물체로 단자를 만지지 마십시오.
이 사항을 준수하지 않을 경우 전기 충격 또는 제품 손상이 발생할 수 있습니다.
- 2 제품을 떨어뜨리거나 강한 충격을 받지 않도록 주의하십시오.
내부 부품이 파손되어 전기 충격, 화재 또는 제품 손상이 발생할 수 있습니다.
- 3 제품이 손상된 경우 대리점에 수리 또는 검사를 요청하십시오.
제품을 지속적으로 사용할 경우 화재 또는 전기 충격이 발생할 수 있습니다.
- 4 본 제품을 어떤 방법으로도 분해하거나 개조하지 마십시오.
이 사항을 준수하지 않을 경우 화재, 전기 충격 또는 제품 손상이 발생할 수 있습니다.
- 5 열 분산을 막지 마십시오.
 - 옷, 테이블 천 또는 기타 유사 물체를 제품 위에 두지 마십시오.
 - 칼개, 카렛 등의 위에 제품을 놓지 마십시오.
 - 제품을 공기 순환이 제대로 이루어지지 않는 좁은 공간에 수서 넣거나 떨어 놓지 마십시오.
 - 환기 구멍을 막지 마십시오.
 본 제품의 경우 상단에 최소 1cm, 좌측 및 우측에 1cm 및 후방에 5cm의 환기 공간이 필요합니다.
- 6 제품을 실의 또는 물이 떨어질 수 있는 장소에 두지 마십시오.
이 사항을 준수하지 않을 경우 화재, 전기 충격 또는 제품 손상이 발생할 수 있습니다.
- 7 먼지 또는 습기, 기름 연기 또는 증기나 부식성 기체가 노출되는 장소에 제품을 설치하지 마십시오. 이 사항을 준수하지 않을 경우 화재, 전기 충격 또는 제품 손상이 발생할 수 있습니다.
- 8 제품이 평평한 곳에 있는지 확인하십시오.
제품을 뒤집거나 수직 방향으로 두지 마십시오. 이 사항을 준수하지 않을 경우 화재, 전기 충격 또는 제품 손상이 발생할 수 있습니다.
- 9 이물질이 본 제품에 떨어질 수 있는 장소 및/또는 떨어지거나 분산되는 액체에 노출되는 장소에 본 제품을 설치하지 마십시오.
 - 본 제품 상단에 다음을 놓지 마십시오.
 - 기타 구성품을 놓을 경우 본 제품 표면의 손상 및/또는 변색이 발생할 수 있습니다.
 - 발화 물체 (예 : 양초) 를 놓을 경우 화재, 본 제품 손상 및/또는 신체적 부상이 발생할 수 있습니다.
 - 액체를 담은 용기를 놓을 경우 용기가 떨어질 수 있으며 그 안의 액체로 인해 전기 충격 및/또는 본 제품 손상이 발생할 수 있습니다.
- 10 제품에 금속 또는 종이와 같은 이물질을 삽입하지 마십시오.
이 사항을 준수하지 않을 경우 화재, 전기 충격 또는 제품 손상이 발생할 수 있습니다.
- 11 천둥 소리가 들릴 경우 제품을 만지지 마십시오.
이 사항을 준수하지 않을 경우 전기 충격이 발생할 수 있습니다.
- 12 제품을 심박 조율기로부터 최소 22cm 떨어진 거리에서 사용해야 합니다.
이 사항을 준수하지 않을 경우 심박 조율기에 영향을 주어 심각한 사고가 발생할 수 있습니다.
- 13 의료가 근처에서 본 제품을 사용하지 마십시오. 본 제품의 전자파가 전자 의료가 작동에 나쁜 영향을 미칠 수 있습니다. 의료가 근처와 같이 전자파 사용이 금지된 곳에서는 본 제품을 사용하지 마십시오.
- 14 마이크 케이블이 손상되지 않도록 주의하십시오.
 - 케이블 위에 무거운 물체를 놓지 마십시오.
 - 케이블을 개조하지 마십시오.
 - 스테이플을 사용하여 케이블을 고정하지 마십시오.
 - 케이블에 불필요한 힘을 가하지 마십시오.
 - 열원 근처에 케이블을 두지 마십시오.
 화재, 전기 충격 또는 제품 손상이 발생할 수 있습니다.
- 15 제품과 함께 제공되는 마이크 케이블을 사용해야 합니다.
다른 마이크 케이블을 사용할 경우 화재, 전기 충격 또는 제품 손상이 발생할 수 있습니다.
- 16 마이크로폰 또는 케이블을 연결하거나 분리할 때 손이 건조한지 확인하십시오.
이 사항을 준수하지 않을 경우 전기 충격 또는 제품 손상이 발생할 수 있습니다.
- 17 불안정하거나 진동에 노출된 장소에 제품을 설치하지 마십시오.
그렇지 않을 경우 떨어지거나 뒤집어져서 부상 또는 제품 손상이 발생할 수 있습니다.
- 18 직사광선 또는 과도하게 높은 온도 (히터 근처 등) 에 노출되는 장소에 제품을 설치하지 마십시오. 이 사항을 준수하지 않을 경우 제품이 손상될 수 있습니다.
- 19 제품 위에서 앉거나 서지 말고 상단에 다른 물체를 두지 마십시오.
이 사항을 준수하지 않을 경우 제품이 손상될 수 있습니다.
- 20 주변 온도가 급격하게 변하는 장소에서 제품을 사용하지 마십시오.
주변 온도가 급격하게 변할 경우 제품에 응축수가 발생하여 제품이 손상될 수 있습니다. 응축수가 발생한 경우 전원을 끈 상태에서 제품을 건조시킬 때까지 그대로 두어야 합니다.
- 21 제품을 만지기 전에 신체 또는 옷에서 발생하는 정전기를 접지시켜야 합니다. 이 사항을 준수하지 않을 경우 제품이 손상될 수 있습니다.
- 22 마이크 케이블을 빠르게 전술 및 연결하십시오.
누군가의 다리에 의해 마이크 케이블이 당겨지거나 끼인 경우 제품혹은 연결된 장비가 뒤집어지거나 떨어져 부상이 발생할 수 있습니다.
- 23 YVC-CTU1000 또는 YVC-MIC1000 을 어떠한 종류의 장비와도 연결하지 마십시오.
이 사항을 준수하지 않을 경우 화재, 전기 충격 또는 제품 손상이 발생할 수 있습니다.

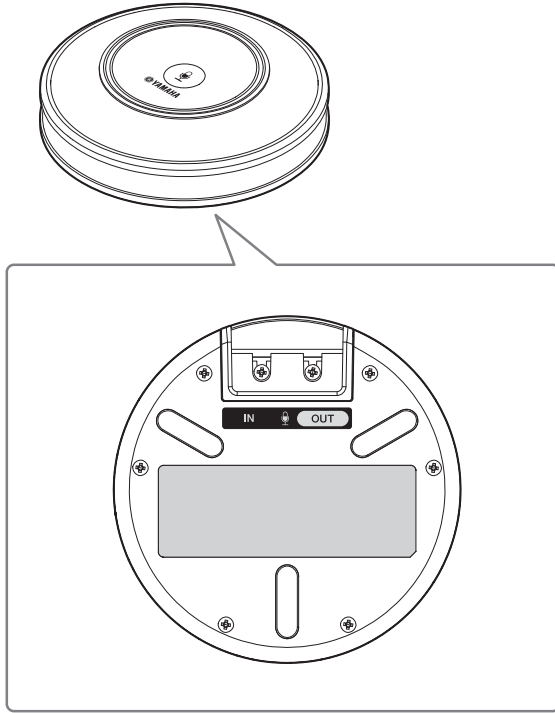
사용 관련 주의 사항

- 본 제품은 일반 사무실에서 사용하도록 설계되었으며, 생명 또는 소중한 자산을 취급하는 높은 수준의 신뢰성이 필요한 분야에서는 사용할 수 없습니다.
- Yamaha 는 제품의 부적절한 사용 또는 구성으로 인해 발생하는 어떠한 피해에 대해서도 책임을 지지 않습니다.
- 사용 환경에 따라 본 제품으로 인해 전화, 라디오, TV 등에서 소음이 발생할 수 있습니다. 이러한 경우 설치 위치 또는 방향을 바꾸십시오.
- 본 제품을 제 3 자에게 양도하는 경우 본 설명서 및 액세서리를 함께 전달하십시오.
- 본 제품을 폐기 시 해당 지역 정부의 지침을 준수해야 합니다.

이 기기는 업무용 (A 급) 전자파적합기기로서 판매자 또는 사용자는 이 점을 주의하시기 바라며, 가정외의 지역에서 사용하는 것을 목적으로 합니다.

명판 위치

명판은 마이크로폰 하단에 있습니다.



소개

Yamaha YVC-MIC1000EX 를 구입해 주셔서 감사합니다. YVC-MIC1000EX 는 YVC-1000, 통합 커뮤니케이션 마이크로폰 & 스피커 사용을 위해 특별히 디자인된 마이크로폰 (옵션) 입니다. 제품을 설치 및 연결하기 전에 본 설명서를 자세히 읽어보시기 바랍니다. 추후에도 참조할 수 있도록 본 설명서를 안전한 장소에 보관하십시오.

- Yamaha 의 허가 없이는 본 설명서를 어떠한 형태로든 복사하거나 사용할 수 없습니다.
- 본 설명서의 내용은 발행일 현재 최신 사양을 기준으로 하고 있습니다. 최신 설명서를 가져오려면 하기의 웹사이트에 접속 후 해당 설명서 파일을 다운로드 받으십시오.
<https://uc.yamaha.com/resources/support/>
- Yamaha 는 본 제품 사용으로 인한 어떠한 데이터 손실 혹은 파손에 대해서도 법적 책임을 지지 않습니다. 보증서는 본 장치의 수리에 한하여 보장합니다.

내용물 확인

- 마이크로폰 (YVC-MIC1000) x 1
- 마이크로폰 케이블 (5m) x 1
- 사용 설명서 (본 설명서) x 1

본 설명서뿐 아니라 다른 지침 설명서도 읽어보시기 바랍니다.

본 설명서에는 기본 정보만 수록되어 있습니다.

제품 사용 방법에 대한 자세한 내용은 다음을 참조하십시오.

YVC-1000 사용 설명서 : YVC-1000 과 결합된 제품 활용에 대한 정보가 수록되어 있습니다.

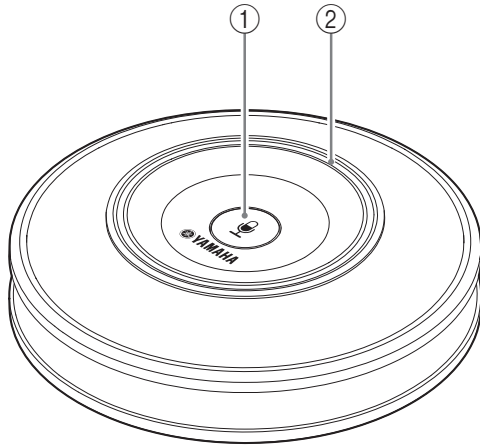
자사 웹사이트의 다운로드 페이지에서 최신 사용 설명서를 다운로드하십시오.

■ 다운로드 페이지

<https://uc.yamaha.com/resources/support/>

제어장치 및 기능

마이크로폰 (YVC-MIC1000)



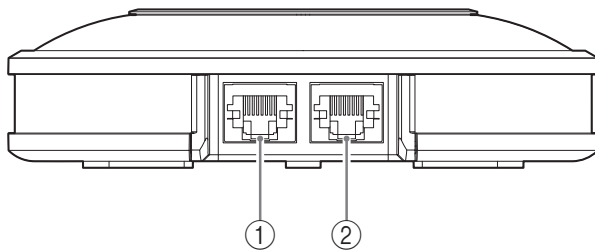
① 마이크로폰 음소거 단추

누르면 마이크로폰이 일시적으로 음소거됩니다. 음소거 기능을 취소하려면 다시 누릅니다.

② 마이크로폰 상태 표시등

마이크로폰이 활성 상태인 경우 녹색으로 켜집니다. 마이크로폰이 음소거 상태인 경우 빨간색으로 깜빡입니다.

마이크로폰 (YVC-MIC1000): 측면



① 입력 단자 (IN)

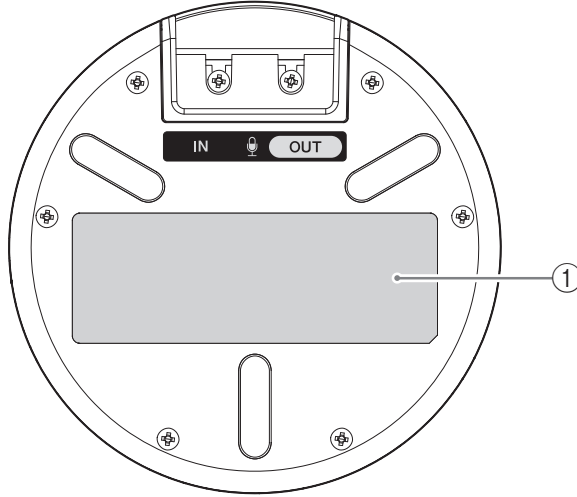
마이크로폰 (YVC-MIC1000EX)(옵션) 을 마이크로폰 케이블을 사용하여 연결합니다.

② 출력 단자 (OUT)

마이크로폰을 마이크로폰 케이블을 사용하여 연결합니다.

자세한 지침은 YVC-1000 사용 설명서를 참조하십시오.

마이크로폰 (YVC-MIC1000): 바닥



① 명판

다음 정보를 제공합니다.

Model No. (모델명): 본 제품의 모델 번호입니다

SERIAL LABEL: 본 제품의 일련 번호입니다

사양

일반

인터페이스 :	입력 및 출력 단자
사용 환경 :	온도 : 0 ~ 40°C 습도 : 20 ~ 85%(비응결)
보관 환경 :	온도 : -20 ~ +50°C 습도 : 10 ~ 90%(비응결)
크기 :	136(W) x 36(H) x 136(D)mm
무게 :	0.4kg
부속품 :	마이크로폰 케이블 (5m), 사용 설명서

음향

마이크로폰 유닛 :	단방향 x 3
------------	---------

Inhalt

Sicherheitsvorkehrungen	2	Bedienelemente und deren Funktion	6
Vorsichtsmaßnahmen beim Gebrauch	3	Mikrofon (YVC-MIC1000)	6
Position des Typenschildes	4	Mikrofon (YVC-MIC1000): Seite	6
Einleitung	5	Mikrofon (YVC-MIC1000): Unterseite	7
Lieferumfang prüfen	5	Technische Daten	8
Bitte lesen Sie zusätzlich zu dieser Anleitung auch andere Anleitungen	5	Allgemeines	8
		Audio	8

Sicherheitsvorkehrungen

- 1 Berühren Sie die Anschlussklemmen nicht mit den Fingern oder mit Metallgegenständen.
Die Missachtung dieser Vorsichtsmaßnahme kann zu einem Stromschlag oder zur Beschädigung des Produkts führen.
- 2 Sorgen Sie dafür, dass das Produkt nicht herunterfällt oder starken Stößen ausgesetzt wird. Die internen Komponenten könnten zerstört werden, was dann zu einem Stromschlag, einem Brand oder einer Beschädigung des Produkts führen könnte.
- 3 Wenn das Produkt beschädigt wurde, wenden Sie sich an einen Händler, um es reparieren oder inspizieren zu lassen.
Die anhaltende Verwendung des Produkts kann zu einem Brand oder Stromschlag führen.
- 4 Nehmen Sie das Produkt nicht auseinander und verändern Sie es in keiner Weise.
Die Missachtung dieser Vorsichtsmaßnahme könnte zu einem Brand oder Stromschlag oder zur Beschädigung des Produkts führen.
- 5 Behindern Sie nicht die Wärmeabfuhr.
 - Legen Sie keine Tücher, Tischdecken oder ähnliche Gegenstände über das Produkt.
 - Stellen Sie das Produkt nicht auf einem Vorleger oder Teppich usw. auf.
 - Zwängen oder quetschen Sie das Produkt nicht auf beengtem Raum mit schlechter Luftzirkulation ein.
 - Versperren Sie nicht die Lüftungslöcher.
 Lassen Sie zur Belüftung über dem Produkt mindestens 1 cm, links und rechts mindestens 1 cm sowie hinten mindestens 5 cm frei.
Die Missachtung dieser Vorsichtsmaßnahme kann dazu führen, dass sich im Produkt die Hitze staut, oder sie kann einen Brand oder eine Beschädigung des Produkts verursachen.
- 6 Stellen Sie das Produkt nicht im Freien oder an einem Ort auf, an dem Wasser darauftropfen kann.
Die Missachtung dieser Vorsichtsmaßnahme kann zu einem Brand oder Stromschlag oder einer Beschädigung des Produkts führen.
- 7 Installieren Sie das Produkt nicht an Orten, wo es Staub oder Feuchtigkeit, ölhaltigem Nebel oder Dampf oder korrodierendem Gas ausgesetzt wird. Die Missachtung dieser Vorsichtsmaßnahme könnte zu einem Brand oder Stromschlag oder zur Beschädigung des Produkts führen.
- 8 Achten Sie darauf, das Produkt waagrecht aufzustellen.
Stellen Sie es nicht auf den Kopf und platzieren Sie es nicht senkrecht. Die Missachtung dieser Vorsichtsmaßnahme kann zu einem Brand oder Stromschlag oder einer Beschädigung des Produkts führen.
- 9 Vermeiden Sie es, das Produkt an Orten zu installieren, an denen Fremdbjekte auf das Produkt fallen können und/oder das Produkt tropfenden oder spritzenden Flüssigkeiten ausgesetzt sein kann. Platzieren Sie auf dem Produkt keine der folgenden Gegenstände:
 - Andere Komponenten; diese können die Oberfläche des Produkts beschädigen und/oder verfärben.
 - Brennende Gegenstände (d. h. Kerzen); diese können einen Brand, eine Beschädigung des Produkts und/oder Verletzungen verursachen.
 - Behälter mit Flüssigkeit; diese können umkippen, und durch die Flüssigkeit kann der Anwender einen Stromschlag erleiden und/oder das Produkt beschädigt werden.
- 10 Stecken Sie keine Fremdbjekte wie Metall oder Papier in das Produkt.
Die Missachtung dieser Vorsichtsmaßnahme kann zu einem Brand oder Stromschlag oder einer Beschädigung des Produkts führen.
- 11 Wenn Donner zu hören ist, vermeiden Sie es, das Produkt zu berühren.
Die Missachtung dieser Vorsichtsmaßnahme kann zu einem Stromschlag führen.
- 12 Das Produkt sollte mit mindestens 22 cm Abstand zu Personen verwendet werden, die einen Herzschrittmacher, einen Defibrillator oder ein ähnliches Gerät verwenden.
Die Missachtung dieser Vorsichtsmaßnahme kann den Herzschrittmacher beeinträchtigen und zu einem schweren Unfall führen.
- 13 Verwenden Sie dieses Produkt nicht in der Nähe von medizinischen Geräten. Von diesem Produkt ausgehende Funkwellen können den Betrieb elektromedizinischer Geräte beeinträchtigen. Verwenden Sie dieses Produkt nicht an Orten, an denen die Verwendung von Funkwellen Beschränkungen unterliegt, wie z. B. in der Nähe von medizinischen Geräten.
- 14 Vermeiden Sie eine Beschädigung der Mikrofonkabel.
 - Stellen Sie keine schweren Gegenstände auf Kabel.
 - Verändern Sie Kabel nicht.
 - Befestigen Sie Kabel nicht mit Heftklammern.
 - Üben Sie keine übermäßige Kraft auf Kabel aus.
 - Verlegen Sie Kabel nicht in der Nähe von Wärmequellen.
 Dies kann zu einem Brand oder Stromschlag oder einer Beschädigung des Produkts führen.
- 15 Verwenden Sie unbedingt das mit dem Produkt mitgelieferte Mikrofonkabel.
Die Verwendung anderer Kabel kann zu einem Brand oder Stromschlag oder einer Beschädigung des Produkts führen.
- 16 Sorgen Sie dafür, dass Ihre Hände trocken sind, wenn Sie die Mikrofonkabel anschließen oder trennen.
Die Missachtung dieser Vorsichtsmaßnahme kann zu einem Stromschlag oder zur Beschädigung des Produkts führen.
- 17 Achten Sie darauf, das Produkt nicht an instabilen Orten oder an Orten zu installieren, an denen es Vibrationen ausgesetzt wird, da es umfallen oder auf den Kopf gedreht werden könnte, was zu Verletzungen oder einer Beschädigung des Produkts führen kann.
- 18 Achten Sie darauf, das Produkt nicht an Orten zu installieren, an denen es direktem Sonnenlicht oder außerordentlich hohen Temperaturen ausgesetzt wird (neben einer Heizung usw.). Die Missachtung dieser Vorsichtsmaßnahme könnte zu einer Beschädigung des Produkts führen.
- 19 Setzen/stellen Sie sich nicht auf das Produkt und legen Sie keine anderen Gegenstände darauf ab.
Die Missachtung dieser Vorsichtsmaßnahme kann zu einer Beschädigung des Produkts führen.
- 20 Achten Sie darauf, das Produkt nicht an Orten zu verwenden, an denen es raschen Veränderungen der Umgebungstemperatur ausgesetzt wird. Rasche Veränderungen der Umgebungstemperatur könnten dazu führen, dass sich am Produkt Kondensat bildet, was dann zu einer Beschädigung des Produkts führen könnte. Falls es zu Kondensatbildung gekommen sein sollte, achten Sie darauf, vor der Verwendung des Produkts abzuwarten, bis es getrocknet ist.
- 21 Achten Sie darauf, von Ihrem Körper oder Ihrer Kleidung ausgehende statische Elektrizität zu entladen, bevor Sie das Produkt berühren. Die Missachtung dieser Vorsichtsmaßnahme könnte zu einer Beschädigung des Produkts führen.
- 22 Verlegen und verbinden Sie die Mikrofonkabel richtig.
Wenn an den Mikrofonkabel gezogen wird oder sie sich um ein Bein wickeln, kann das Produkt oder ein daran angeschlossenes Gerät umkippen, wodurch Verletzungen oder Schäden am Produkt verursacht werden können.
- 23 Verbinden Sie das Produkt ausschließlich mit den Geräten YVC-CTU1000 und YVC-MIC1000.
Die Missachtung dieser Vorsichtsmaßnahme könnte zu einem Brand oder Stromschlag oder zur Beschädigung des Produkts führen.

Vorsichtsmaßnahmen beim Gebrauch

- Dieses Produkt ist zum Gebrauch in normalen Büros vorgesehen und nicht zum Einsatz in Bereichen, in denen ein hohes Maß an Zuverlässigkeit im Umgang mit dem menschlichen Leben oder Wertgegenständen verlangt wird.
- Bitte beachten Sie, dass Yamaha keine Verantwortung für Schäden übernehmen kann, die durch eine unsachgemäße Verwendung oder Konfiguration des Produkts entstehen.
- Je nach Einsatzumgebung kann dieses Produkt bei einem Telefon, Radio, Fernseher usw. Störgeräusche erzeugen. Sollte dies der Fall sein, ändern Sie seinen Installationsort oder seine Ausrichtung.
- Wenn Sie dieses Produkt an einen Dritten übertragen, händigen Sie ihm bitte auch diese Anleitung und das Produktzubehör aus.
- Achten Sie beim Entsorgen des Produkts darauf, den Anweisungen Ihrer Kommunalverwaltung zu folgen.

Warnung: Der Betrieb dieses Gerats in einer Wohngegend kann zu Funkstörungen führen.

Verbraucherinformation zur Sammlung und Entsorgung alter Elektrogeräte



Befindet sich dieses Symbol auf den Produkten, der Verpackung und/oder beiliegenden Unterlagen, so sollten benutzte elektrische Geräte nicht mit dem normalen Haushaltsabfall entsorgt werden. In Übereinstimmung mit Ihren nationalen Bestimmungen bringen Sie alte Geräte bitte zur fachgerechten Entsorgung, Wiederaufbereitung und Wiederverwendung zu den entsprechenden Sammelstellen.

Durch die fachgerechte Entsorgung der Elektrogeräte helfen Sie, wertvolle Ressourcen zu schützen, und verhindern mögliche negative Auswirkungen auf die menschliche Gesundheit und die Umwelt, die andernfalls durch unsachgerechte Müllentsorgung auftreten könnten.

Für weitere Informationen zum Sammeln und Wiederaufbereiten alter Elektrogeräte kontaktieren Sie bitte Ihre örtliche Stadt- oder Gemeindeverwaltung, Ihren Abfallentsorgungsdienst oder die Verkaufsstelle der Artikel.

Information für geschäftliche Anwender in der Europäischen Union:

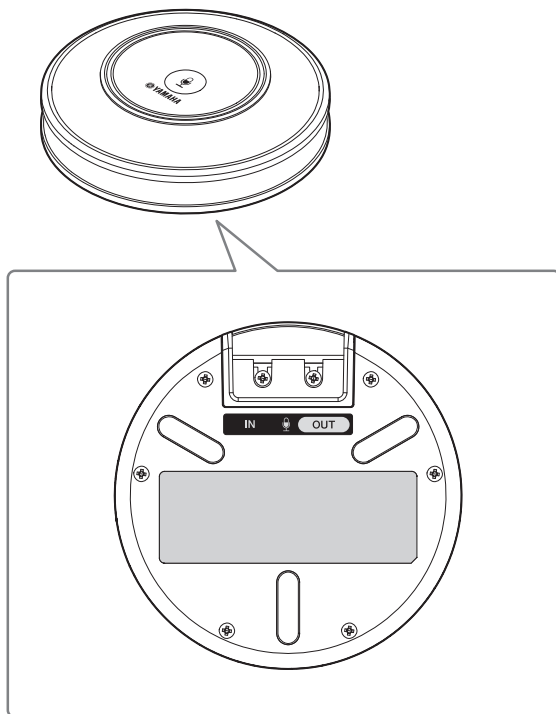
Wenn Sie Elektrogeräte ausrangieren möchten, kontaktieren Sie bitte Ihren Händler oder Zulieferer für weitere Informationen.

Entsorgungsinformation für Länder außerhalb der Europäischen Union:

Dieses Symbol gilt nur innerhalb der Europäischen Union. Wenn Sie solche Artikel ausrangieren möchten, kontaktieren Sie bitte Ihre örtlichen Behörden oder Ihren Händler und fragen Sie nach der sachgerechten Entsorgungsmethode.

Position des Typenschilds

Das Typenschild befindet sich auf der Unterseite des Mikrofons.



Einleitung

Vielen Dank, dass Sie sich für ein YVC-MIC1000EX entschieden haben. Das YVC-MIC1000EX ist ein optionales Mikrofon, das speziell für den Gebrauch mit YVC-1000 ausgelegt ist, einem Mikrofon- und Lautsprechersystem für Unified Communications.

Bitte lesen Sie sich diese Anleitung sorgfältig durch, bevor Sie das Produkt installieren und anschließen.

Bewahren Sie diese Anleitung an einem sicheren Ort auf, um später darin nachlesen zu können.

- Kein Teil dieser Anleitung darf ohne Genehmigung von Yamaha kopiert oder in irgendeiner Form genutzt werden.
- Der Inhalt dieser Bedienungsanleitung gilt für die neuesten technischen Daten zum Zeitpunkt der Veröffentlichung. Um die neueste Version der Anleitung zu erhalten, rufen Sie die folgende Website auf und laden Sie dann die Datei mit der Bedienungsanleitung herunter.
<https://uc.yamaha.com/resources/support/>
- Yamaha haftet nicht für durch die Nutzung des Produkts entstehende Datenverluste oder -beschädigungen. Bitte beachten Sie, dass die Garantie ausschließlich für Reparaturen des Produkts gilt.

Lieferumfang prüfen

- Mikrofon (YVC-MIC1000) x 1
- Mikrofonkabel (5 m) x 1
- Bedienungsanleitung (diese Anleitung) x 1

Bitte lesen Sie zusätzlich zu dieser Anleitung auch andere Anleitungen

Diese Anleitung enthält lediglich grundlegende Informationen.

Ausführliche Informationen zur Verwendung des Produkts finden Sie in der folgenden Dokumentation:

Bedienungsanleitung für YVC-1000: Enthält Informationen zur Verwendung des Produkts zusammen mit dem YVC-1000.

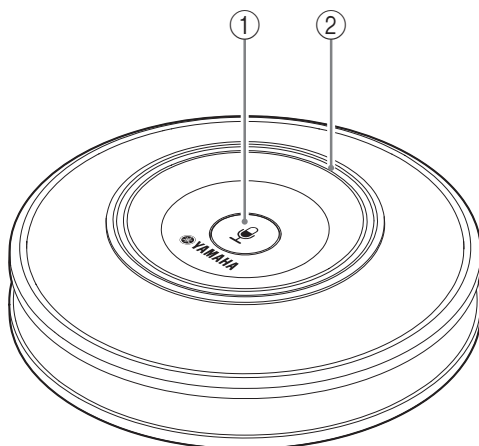
Bitte laden Sie die neueste Bedienungsanleitung von der Download-Seite unserer Website herunter.

■ Download-Seite

<https://uc.yamaha.com/resources/support/>

Bedienungselemente und deren Funktion

Mikrofon (YVC-MIC1000)



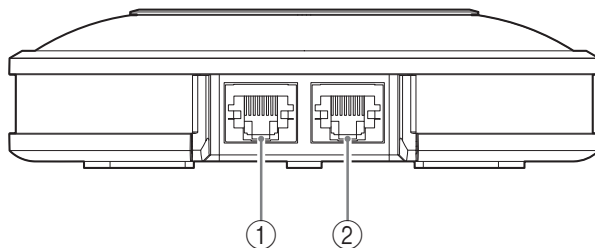
① Mikrofon-Stummschaltungstaste

Drücken Sie diese Taste, um das Mikrofon vorübergehend aus- (stumm-) zuschalten. Um die Stummschaltung aufzuheben, drücken Sie die Taste erneut.

② Mikrofon-Statusanzeige

Leuchtet grün, wenn das Mikrofon aktiv ist. Blinkt rot, wenn das Mikrofon stummgeschaltet ist.

Mikrofon (YVC-MIC1000): Seite



① Eingangsanschluss (IN)

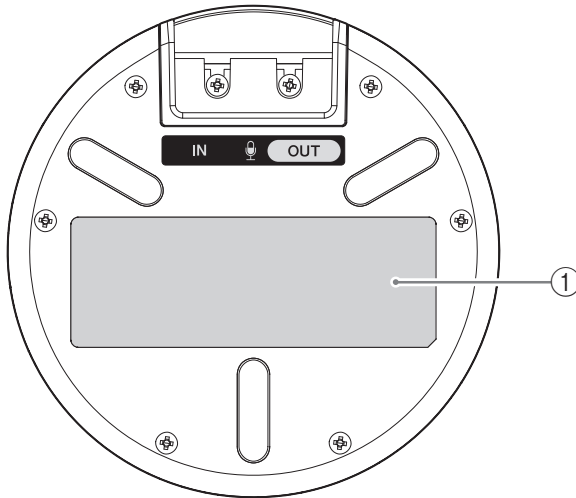
Hier kann über das Mikrofonkabel das optional erhältliche Mikrofon (YVC-MIC1000EX) angeschlossen werden.

② Ausgangsanschluss (OUT)

Dient zum Anschließen des Mikrofons über das Mikrofonkabel.

Detaillierte Anweisungen finden Sie in der Bedienungsanleitung des YVC-1000.

Mikrofon (YVC-MIC1000): Unterseite



① Typenschild

Enthält die folgenden Informationen.

Model No.: Nummer des Gerätemodells

SERIAL LABEL: Seriennummer des Produkts

Technische Daten

Allgemeines

Schnittstelle:	Ein- und Ausgangsanschluss
Betriebsumgebung:	Temperatur: 0 bis 40 °C (32 bis 104 °F) Luftfeuchtigkeit: 20 bis 85 % (keine Kondensation)
Lagerungsumgebung:	Temperatur: -20 bis +50 °C (-4 bis 122 °F) Luftfeuchtigkeit: 10 bis 90% (keine Kondensation)
Abmessungen:	136 (B) x 36 (H) x 136 (T) mm (5,35 x 1,42 x 5,35")
Gewicht:	0,4 kg (0,9 lbs)
Zubehör:	Mikrofonkabel (5 m), Bedienungsanleitung

Audio

Mikrofone:	Unidirektional x 3
-------------------	--------------------

Sommario

Precauzioni relative alla sicurezza	2	Controlli e funzioni	6
Precauzioni per l'uso	3	Microfono (YVC-MIC1000)	6
Posizione della targa informativa	4	Microfono (YVC-MIC1000): Pannello laterale	6
Introduzione	5	Microfono (YVC-MIC1000): Pannello inferiore	7
Verifica della confezione	5	Caratteristiche tecniche	8
Leggere la presente guida e gli altri manuali	5	Generali	8
		Audio	8

Precauzioni relative alla sicurezza

- 1 Non toccare i terminali elettrici con le dita od oggetti metallici. In caso contrario, è possibile subire una scossa elettrica o danneggiare il prodotto.
- 2 Evitare di far cadere il prodotto o di sottoporlo a forti urti. In caso contrario, i componenti interni e il prodotto potrebbero subire danni, e indurre una scossa elettrica o causare un incendio.
- 3 Se il prodotto presenta danni, richiedere l'assistenza o l'ispezione da parte del rivenditore.
L'utilizzo in condizioni non sicure può causare un incendio o indurre una scossa elettrica.
- 4 Non smontare o alterare il prodotto in alcun modo. In caso contrario, è possibile causare un incendio, indurre una scossa elettrica o danneggiare il prodotto.
- 5 Evitare di ostruire le prese di ventilazione.
 - Non collocare panni, tovaglie od oggetti simili sopra il prodotto.
 - Non collocare il prodotto sopra un tappeto, moquette, ecc.
 - Non tentare di inserire o forzare il prodotto all'interno di spazi non dotati di una sufficiente circolazione dell'aria.
 - Evitare di bloccare i fori di ventilazione.
 Assicurarsi di lasciare almeno 1 cm di spazio sopra e ai lati del prodotto, e almeno 5 cm sul retro.
In caso contrario, è possibile che all'interno del prodotto si verifichi un surriscaldamento che potrebbe causare un incendio o danneggiare il prodotto.
- 6 Non collocare il prodotto all'esterno o in luoghi soggetti a contaminazione dall'acqua.
In caso contrario, è possibile causare un incendio, subire una scossa elettrica o danneggiare il prodotto.
- 7 Non installare il prodotto in luoghi polverosi o umidi, ambienti saturi di fumo da combustibile o vapore e gas corrosivi. In caso contrario, è possibile causare un incendio, indurre una scossa elettrica o danneggiare il prodotto.
- 8 Posizionare il prodotto su un piano orizzontale.
Non collocarlo sottosopra o in posizione verticale. In caso contrario, è possibile causare un incendio, subire una scossa elettrica o danneggiare il prodotto.
- 9 Evitare di installare il prodotto in luoghi ove è possibile la caduta di oggetti e/o in ambienti dove si possa verificare la contaminazione da liquidi o acqua. Evitare di collocare sul prodotto:
 - altri componenti dell'attrezzatura, in quanto ciò potrebbe causare danni e/o scolorire la superficie del prodotto.
 - oggetti incandescenti (es.: candele), in quanto ciò potrebbe causare incendi, danneggiare il prodotto o provocare infortuni al personale.
 - contenitori con liquidi, in quanto il loro rovesciamento potrebbe indurre una scossa elettrica all'utente e/o danneggiare il prodotto.
- 10 Non tentare di inserire all'interno del prodotto oggetti di metallo o carta.
In caso contrario, è possibile causare un incendio, subire una scossa elettrica o danneggiare il prodotto.
- 11 In caso di temporale, evitare di toccare il prodotto.
In caso contrario, è possibile subire una scossa elettrica.
- 12 Il presente prodotto dovrebbe essere utilizzato a una distanza minima di 22 cm da portatori di pacemaker, defibrillatori o dispositivi simili.
In caso contrario, è possibile interferire con il funzionamento del pacemaker e causare seri danni alla persona.
- 13 Non utilizzare il prodotto in prossimità di apparecchiatura medica. Le onde radio del prodotto potrebbero influire sul funzionamento di apparecchiatura medica elettrica. Non utilizzare il prodotto in ambienti dove l'emissione di onde radio è limitata, ad esempio in prossimità di apparecchiature mediche.
- 14 Evitare di danneggiare i cavi microfonici.
 - Non collocare oggetti pesanti sui cavi.
 - Non tentare di alterare i cavi.
 - Non utilizzare punti metallici per fermare i cavi nella posizione desiderata.
 - Non applicare eccessiva forza nell'uso dei cavi.
 - Non collocare i cavi vicino a fonti di calore.
 In caso contrario, è possibile causare un incendio, indurre una scossa elettrica o danneggiare il prodotto.
- 15 Assicurarsi di utilizzare il cavo microfonico incluso con il prodotto.
L'utilizzo di altri cavi microfonici può causare un incendio, indurre una scossa elettrica o danneggiare il prodotto.
- 16 Assicurarsi che le mani siano asciutte prima di collegare o scollegare il microfono o i cavi.
In caso contrario, è possibile subire una scossa elettrica o danneggiare il prodotto.
- 17 Evitare di installare il prodotto su superfici instabili o soggette a vibrazioni, in quanto un'eventuale caduta o rovesciamento potrebbe causare danni a persone o danneggiare il prodotto.
- 18 Evitare di esporre il prodotto alla luce solare diretta o di sottoporlo a temperature eccessive (vicino a un radiatore, ecc.). In caso contrario, è possibile danneggiare il prodotto.
- 19 Evitare di sedersi sopra/calpestare il prodotto, né collocare sopra di esso alcun oggetto.
In caso contrario, è possibile danneggiare il prodotto.
- 20 Evitare di utilizzare il prodotto in tutti quei casi in cui si verificano rapide escursioni di temperatura nell'ambiente. Repentini cambi di temperatura possono causare l'accumulo di condensa sul prodotto, che potrebbe causarne il danneggiamento. Se ciò dovesse verificarsi, prima di accendere il prodotto assicurarsi di lasciar passare abbastanza tempo per dar modo alla condensa di evaporare.
- 21 Prima di toccare il prodotto, assicurarsi di scaricare a terra l'elettricità statica naturalmente presente sul corpo o sui vestiti. In caso contrario, è possibile danneggiare il prodotto.
- 22 Ordinare e collegare i cavi microfonici in modo corretto.
I cavi microfonici possono essere causa di intralcio, e se non ben organizzati possono provocare incidenti o far cadere i componenti del sistema, causando danni a cose o persone.
- 23 Non collegare il prodotto ad altra attrezzatura diversa dalle unità YVC-CTU1000 o YVC-MIC1000.
In caso contrario, è possibile causare un incendio, indurre una scossa elettrica o danneggiare il prodotto.

Precauzioni per l'uso

- Questo prodotto è stato realizzato per l'uso generico in ufficio, e non per scopi in cui è richiesto un elevato grado di affidabilità nella riproduzione della voce umana o di altre risorse di valore.
- Yamaha declina ogni responsabilità per qualsivoglia danno causato dall'utilizzo improprio o la non corretta configurazione del prodotto.
- A seconda delle condizioni d'utilizzo, il prodotto potrebbe generare rumore e interferire con telefoni, radio, televisori ecc. Qualora ciò dovesse verificarsi, installare il prodotto in altri locali o modificarne l'orientamento.
- Nel caso si ceda il prodotto a terze parti, assicurarsi di trasferire anche il manuale dell'utente e gli accessori.
- Smaltire il prodotto secondo le direttive e le istruzioni degli enti locali.

Avvertenza: il funzionamento di questo apparecchio in ambiente residenziale potrebbe causare interferenze radio.

Informazioni per gli utenti sulla raccolta e lo smaltimento di vecchia attrezzatura



Questi simboli sui prodotti, sull'imballaggio e/o sui documenti che li accompagnano, indicano che i prodotti elettrici ed elettronici non devono essere mischiati con i rifiuti generici.

Per il trattamento, il recupero e il riciclaggio appropriato di vecchi prodotti, si prega di portarli ai punti di raccolta designati, in accordo con la legislazione locale.

Smaltendo correttamente questi prodotti si potranno recuperare risorse preziose, oltre a prevenire potenziali effetti negativi sulla salute e l'ambiente che potrebbero sorgere a causa del trattamento improprio dei rifiuti.

Per ulteriori informazioni sulla raccolta e il riciclaggio di vecchi prodotti, si prega di contattare l'amministrazione comunale locale, il servizio di smaltimento dei rifiuti o il punto vendita dove sono stati acquistati gli articoli.

Per utenti imprenditori dell'Unione europea:

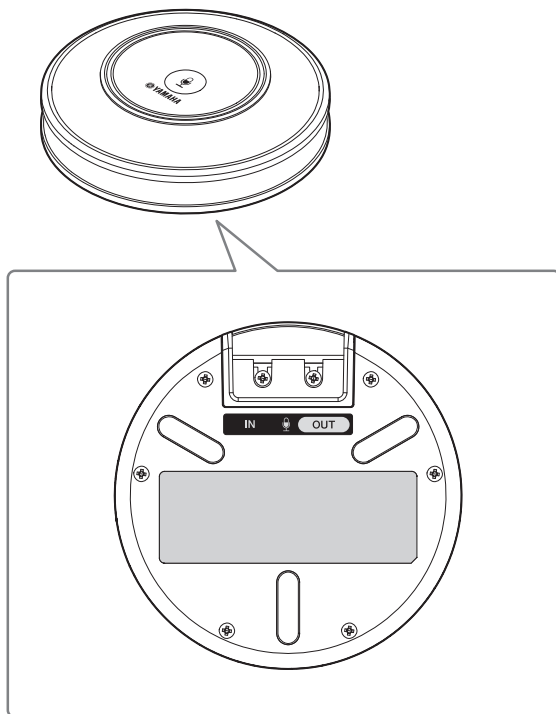
Se si desidera scartare attrezzatura elettrica ed elettronica, si prega di contattare il proprio rivenditore o il proprio fornitore per ulteriori informazioni.

Informazioni sullo smaltimento negli altri Paesi al di fuori dell'Unione europea:

Questi simboli sono validi solamente nell'Unione Europea; se si desidera scartare questi articoli, si prega di contattare le autorità locali o il rivenditore e richiedere informazioni sulla corretta modalità di smaltimento.

Posizione della targa informativa

La targa informativa è collocata sul pannello inferiore del microfono.



Introduzione

Grazie per aver scelto l'unità YVC-MIC1000EX. L'unità YVC-MIC1000EX è un microfono opzionale specificatamente progettato per l'utilizzo insieme all'unità YVC-1000, un Sistema Integrato di Microfoni ed Altoparlanti per Comunicazioni Unificate.

Leggere attentamente tutto il manuale prima di installare e utilizzare il prodotto.

Conservare il manuale per qualsiasi riferimento futuro.

- L'utilizzo o la copia del presente manuale per altri scopi sono soggetti a licenza da parte di Yamaha.
- Il contenuto del presente manuale si applica alle ultime specifiche tecniche a partire dalla data di pubblicazione. Per ottenere la versione più recente del manuale, accedere al sito Web riportato di seguito e scaricare il file corrispondente.
<https://uc.yamaha.com/resources/support/>
- Yamaha non potrà essere ritenuta responsabile per perdita o danneggiamento dei dati derivanti dall'uso del presente prodotto. La garanzia è a copertura dei soli costi di riparazione del prodotto.

Verifica della confezione

- Microfono (YVC-MIC1000) x 1
- Cavo per microfono (5 m) x 1
- Manuale dell'utente (il presente manuale) x 1

Leggere la presente guida e gli altri manuali

Il presente manuale contiene solo le informazioni di base.

Per maggiori dettagli sulle funzioni e su come utilizzare il prodotto, consultare:

Manuale dell'utente YVC-1000: Contiene informazioni sull'utilizzo del prodotto insieme all'unità YVC-1000.

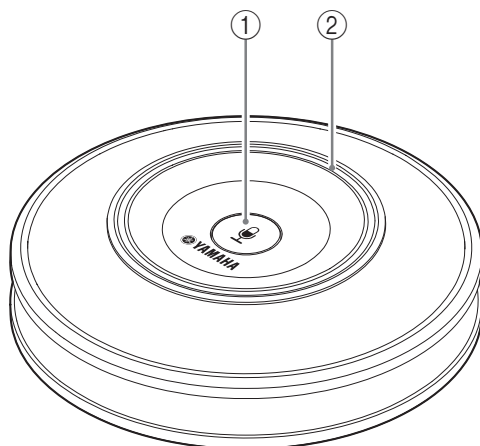
L'ultima versione del manuale dell'utente può essere scaricata dalla pagina di download sul nostro sito internet.

■ Pagina di download

<https://uc.yamaha.com/resources/support/>

Controlli e funzioni

Microfono (YVC-MIC1000)



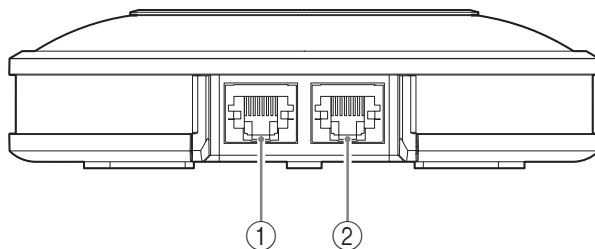
① Pulsante mute del microfono

Se premuto, disattiva (mute) il microfono. Per annullare la funzione mute, premere nuovamente il pulsante.

② Indicatore di stato del microfono

Si illumina in verde per segnalare che il microfono è attivo. Lampeggia in rosso per segnalare che il microfono è disattivato (mute).

Microfono (YVC-MIC1000): Pannello laterale



① Ingresso (IN)

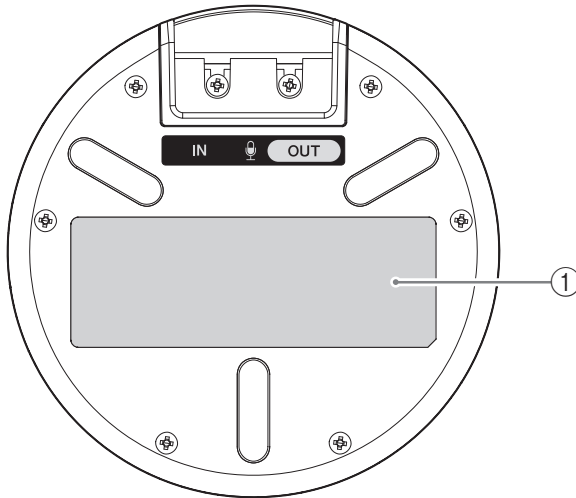
Consente il collegamento del microfono opzionale (YVC-MIC1000EX) con un cavo microfonico.

② Uscita (OUT)

Consente il collegamento del microfono con cavo microfonico.

Per maggiori dettagli, consultare il manuale dell'utente YVC-1000.

Microfono (YVC-MIC1000): Pannello inferiore



① Targa informativa

Include le seguenti informazioni.

Model No.: Numero del modello del prodotto

SERIAL LABEL: Numero di serie del prodotto

Caratteristiche tecniche

Generali

Interfaccia:	Ingressi e uscite
Ambiente d'uso:	Temperatura: da 0 a 40°C (da 32 a 104°F) Umidità: dal 20 all'85% (senza condensa)
Ambiente di stoccaggio:	Temperatura: da -20 a +50°C (da -4 a 122°F) Umidità: dal 10 al 90% (senza condensa)
Dimensioni:	136 (L) x 36 (A) x 136 (P)mm (5,35 x 1,42 x 5,35 in)
Peso:	0,4 kg (0,9 lbs)
Accessori:	Cavo microfonico (5 m), manuale dell'utente

Audio

Unità microfono:	Unidirezionale x 3
-------------------------	--------------------

Contenido

Precauciones de seguridad	2	Mandos y funciones	6
Precauciones de uso	3	Micrófono (YVC-MIC1000)	6
Ubicación de la placa identificativa	4	Micrófono (YVC-MIC1000): lateral	6
Introducción	5	Micrófono (YVC-MIC1000): parte inferior	7
Comprobación del contenido	5	Especificaciones	8
Además de este manual, lea otros manuales de instrucciones	5	Generales	8
		Audio	8

Precauciones de seguridad

- 1 No toque los terminales con los dedos ni con objetos metálicos. Si lo hace, podría provocar una descarga eléctrica o daños en el producto.
- 2 Evite que el producto se caiga o sufra impactos fuertes. Las piezas internas podrían romperse, lo que podría provocar un incendio, descarga eléctrica o daños en el producto.
- 3 Si el producto ha sufrido daños, solicite su inspección o reparación a un distribuidor. Si sigue usando el producto podría provocar un incendio o una descarga eléctrica.
- 4 No desmonte ni manipule el producto de forma alguna. Si lo hace, podría provocar un incendio, descarga eléctrica o daños en el producto.
- 5 No obstruya las salidas de calor.
 - No coloque paños, manteles ni ningún otro objeto similar sobre el producto.
 - No coloque el producto sobre una alfombra, moqueta, etc.
 - No coloque el producto en ningún lugar estrecho donde el espacio sea escaso y tenga poca circulación de aire.
 - No tape los orificios de ventilación.
 Deje un espacio de ventilación de al menos 1 cm por arriba, 1 cm por la derecha y por la izquierda, y 5 cm por la parte trasera del producto. Si no cumple las indicaciones anteriores, podría acumularse calor dentro del producto y provocar un incendio o daños en el producto.
- 6 No coloque el producto en exteriores o en lugares donde pudiera mojarse. Si lo hace, podría provocar un incendio, descarga eléctrica o daños en el producto.
- 7 No instale el producto en ningún lugar expuesto a polvo o humedad, humo o vapor de aceite, o gas corrosivo. Si lo hace, podría provocar un incendio, descarga eléctrica o daños en el producto.
- 8 Asegúrese de que el producto está nivelado. No lo coloque boca abajo ni en vertical. Si lo hace podría provocar un incendio, descarga eléctrica o daños en el producto.
- 9 No instale el producto en lugares donde pudieran caer objetos extraños sobre él o donde el producto pudiera quedar expuesto al goteo o proyección de líquidos. No coloque encima del producto lo siguiente:
 - Otros componentes, ya que podrían causar daños o decoloración en la superficie del producto.
 - Objetos incandescentes (p. ej., velas), ya que podrían provocar un incendio, daños en el producto y daños personales.
 - Recipientes con líquido, ya que podrían caer y el líquido podría provocar una descarga eléctrica en el usuario o daños en el producto.
- 10 No inserte objetos extraños, como metales o papel, en el producto. Si lo hace podría provocar un incendio, descarga eléctrica o daños en el producto.
- 11 Si oye un trueno, evite tocar el producto. Si lo hace podría recibir una descarga eléctrica.
- 12 El producto debería utilizarse al menos a 22 cm de cualquier marcapasos. Si no se respeta esta distancia, el marcapasos podría verse afectado y desembocar en un accidente grave.
- 13 No utilice este producto cerca de equipos médicos. Las ondas de radio de este producto podrían afectar negativamente al funcionamiento de los equipos electromédicos. No utilice este producto en lugares donde el uso de ondas de radio esté restringido, p. ej., cerca de equipos médicos.
- 14 Evite daños en los cables de micrófono.
 - No coloque objetos pesados sobre los cables.
 - No modifique los cables.
 - No fije los cables con grapas.
 - No aplique fuerza innecesaria a los cables.
 - No coloque cables cerca de fuentes de calor.
 Si lo hace, podría provocar un incendio, descarga eléctrica o daños en el producto.
- 15 Asegúrese de utilizar el cable de micrófono suministrado con el producto. Si utiliza otros cables de micrófono podría provocar un incendio, descarga eléctrica o daños en el producto.
- 16 Asegúrese de tener las manos secas al conectar o desconectar el micrófono o cables de alimentación. Si no lo hace, podría provocar una descarga eléctrica o daños en el producto.
- 17 No instale el producto en ninguna superficie inestable o donde pudiera quedar expuesto a vibraciones, ya que podría volcarse o caerse, provocando lesiones personales o daños en el producto.
- 18 No instale el producto en ningún lugar expuesto a la luz directa del sol o a temperaturas excesivamente altas (cerca de un calefactor, etc.). Si lo hace, podría provocar daños en el producto.
- 19 No se siente ni se ponga de pie sobre el producto, ni coloque otros objetos sobre él. Si lo hace, podría provocar daños en el producto.
- 20 No utilice el producto en ningún lugar donde quede expuesto a cambios rápidos en la temperatura ambiente. Cualquier cambio rápido de la temperatura ambiente podría provocar condensación en el producto, lo que a su vez podría provocar daños en él. Si se produce condensación, deje el producto apagado un tiempo hasta que se seque.
- 21 Descargue cualquier electricidad estática de su cuerpo o ropa antes de tocar el producto. Si no lo hace, podría provocar daños en el producto.
- 22 Tienda y conecte los cables de micrófono correctamente. Si tira de los cables de micrófono o quedan enganchados en la pierna de alguien, el producto o los equipos conectados podrían caerse o volcarse, provocando lesiones personales o daños en el producto.
- 23 No conecte el producto a ningún equipo distinto del YVC-CTU1000 o del YVC-MIC1000. Si lo hace, podría provocar un incendio, descarga eléctrica o daños en el producto.

Precauciones de uso

- El producto está diseñado para su uso en oficinas comunes y no para su uso en lugares que precisen de un alto grado de fiabilidad en el tratamiento de vidas humanas o bienes de gran valor.
- Tenga en cuenta que Yamaha no se hará responsable de ningún daño derivado de un uso o configuración inapropiados del producto.
- Dependiendo del entorno de uso, este producto puede provocar ruido en un teléfono, radio, televisión, etc. En tal caso, cambie el lugar de instalación o su orientación.
- Si transfiere este producto a un tercero, entréguele también este manual y los accesorios.
- En el momento de deshacerse del producto, asegúrese de seguir las indicaciones de su administración local.

Advertencia: el uso de este equipo en un entorno residencial podría causar radiointerferencias.

Información para usuarios sobre la recogida y eliminación de los equipos antiguos



Este símbolo en los productos, embalajes y documentos anexos significa que los productos eléctricos y electrónicos no deben mezclarse con los desperdicios domésticos normales.

Para el tratamiento, recuperación y reciclaje apropiados de los productos antiguos, llévelos a puntos de reciclaje correspondientes, de acuerdo con la legislación nacional.

Al deshacerse de estos productos de forma correcta, ayudará a ahorrar recursos valiosos y a impedir los posibles efectos desfavorables en la salud humana y en el entorno que de otro modo se producirían si se trataran los desperdicios de modo inapropiado.

Para obtener más información acerca de la recogida y el reciclaje de los productos antiguos, póngase en contacto con las autoridades locales, con el servicio de eliminación de basuras o con el punto de venta donde adquirió los artículos.

Para los usuarios empresariales de la Unión Europea:

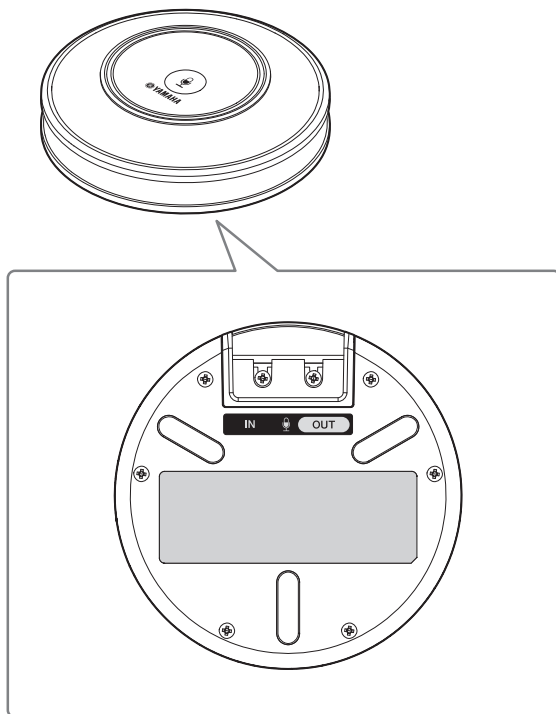
Si desea desechar equipos eléctricos y electrónicos, póngase en contacto con su vendedor o proveedor para obtener más información.

Información sobre la eliminación en otros países fuera de la Unión Europea:

Este símbolo solo es válido en la Unión Europea. Si desea desechar estos artículos, póngase en contacto con las autoridades locales o con el vendedor y pregúnteles el método correcto.

Ubicación de la placa identificativa

La placa de características se encuentra ubicada en la parte inferior del micrófono.



Introducción

Gracias por adquirir un YVC-MIC1000EX. El YVC-MIC1000EX es un micrófono opcional especialmente diseñado para su uso con el YVC-1000, un sistema de comunicaciones unificadas entre micrófono y altavoces.

Lea este manual en su totalidad antes de instalar y conectar el producto.

Guarde este manual en un lugar seguro para futuras consultas.

- Ninguna parte de este manual puede copiarse o utilizarse bajo ningún concepto sin el permiso de Yamaha.
- El contenido de este manual se aplica a las últimas especificaciones según la fecha de publicación. Para obtener el último manual, acceda al sitio web que se indica abajo y descargue el archivo del manual.
<https://uc.yamaha.com/resources/support/>
- Yamaha no acepta ninguna responsabilidad por cualquier pérdida o daño que resulte del uso del producto. La garantía cubre solamente una reparación del producto.

Comprobación del contenido

- 1 micrófono (YVC-MIC1000)
- 1 cable de micrófono (5 m)
- Manual del usuario (este manual)

Además de este manual, lea otros manuales de instrucciones

Este manual solo contiene información básica.

Para obtener información detallada sobre el uso del producto, lea los siguientes documentos:

Manual de usuario del YVC-1000: contiene información sobre cómo usar el producto en combinación con el YVC-1000.

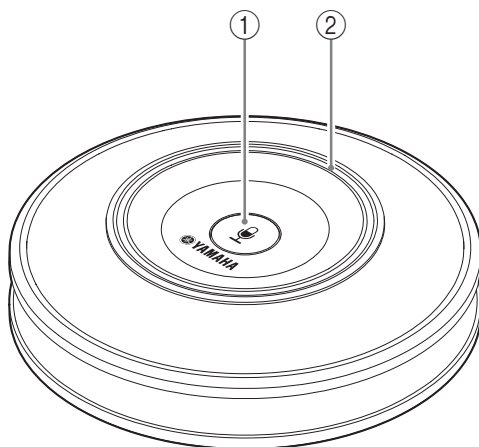
Descargue el manual del usuario más actualizado desde la página de descargas de nuestro sitio web.

■Página de descarga

<https://uc.yamaha.com/resources/support/>

Mandos y funciones

Micrófono (YVC-MIC1000)



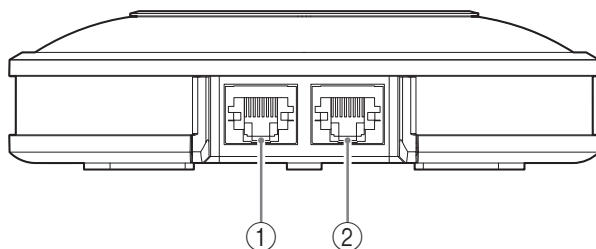
① Botón de silencio del micrófono

Púlselo para desactivar temporalmente (silenciar) el micrófono. Para cancelar la función de silencio, vuelva a pulsarlo.

② Indicador de estado del micrófono

Se ilumina en verde cuando el micrófono está activo. Parpadea en rojo cuando el micrófono está silenciado.

Micrófono (YVC-MIC1000): lateral



① Terminal de entrada (IN)

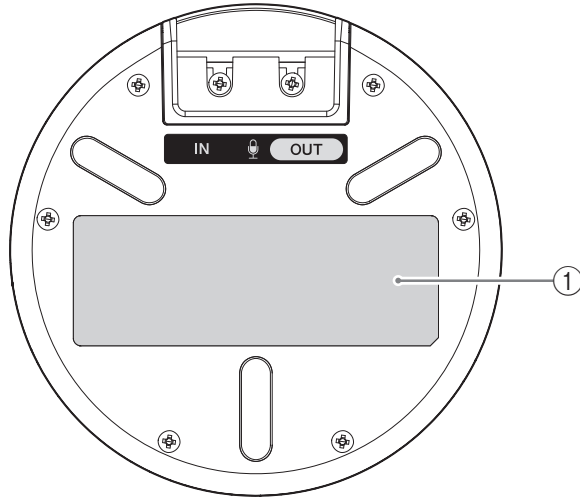
Conecta el micrófono opcional (YVC-MIC1000EX) mediante el cable del micrófono.

② Terminal de salida (OUT)

Conecta el micrófono mediante el cable del micrófono.

Para obtener instrucciones detalladas, consulte el manual de usuario del YVC-1000.

Micrófono (YVC-MIC1000): parte inferior



① Placa identificativa

Ofrece los siguientes datos:

Model No.: número de modelo del producto

SERIAL LABEL: número de serie del producto

Especificaciones

Generales

Interfaz:	Terminales de entrada y salida
Entorno de funcionamiento:	Temperatura: 0 a 40°C (32 a 104°F) Humedad: 20 a 85%
Entorno de almacenamiento:	Temperatura: -20 a +50°C (-4 a +122°F) Humedad: 10 a 90% (sin condensación)
Dimensiones:	136 (An) x 36 (Al) x 136 (Prof) mm (5,35 x 1,42 x 5,35 in)
Peso:	0,4 kg (0,9 lbs)
Accesorios:	Cable del micrófono (5 m), Manual del usuario

Audio

Micrófonos:	3 unidireccionales
--------------------	--------------------

Índice

Precauções de segurança	2	Controlos e funções	6
Precauções de utilização	3	Microfone (YVC-MIC1000)	6
Localização da placa de identificação	4	Microfone (YVC-MIC1000): parte lateral	6
Introdução	5	Microfone (YVC-MIC1000): parte inferior	7
Verificar o conteúdo da embalagem	5	Especificações	8
Leia também os outros manuais de instruções	5	Geral	8
		Áudio	8

Precauções de segurança

- 1 Não toque nos terminais com os dedos nem com objetos metálicos. Caso contrário poderá sofrer um choque elétrico ou danificar o produto.
- 2 Certifique-se de que o produto não cai nem sofre impactos fortes. As peças internas podem partir-se, o que pode provocar um choque elétrico, incêndio ou danificar o produto.
- 3 Se o produto ficar danificado, solicite a sua reparação ou inspeção junto de um revendedor. Se o continuar a utilizar, poderá provocar um incêndio ou sofrer um choque elétrico.
- 4 Não desmonte nem faça qualquer alteração a este produto. Caso contrário poderá provocar um incêndio, sofrer um choque elétrico ou danificar o produto.
- 5 Não impeça a dissipação do calor.
 - Não coloque um pano, uma toalha ou qualquer outro objeto em cima do produto.
 - Não coloque o produto em cima de um tapete, carpete, etc.
 - Não tente colocar nem force o produto a entrar num espaço pequeno onde a circulação de ar é fraca.
 - Não obstrua os orifícios de ventilação.
 Deixe pelo menos 1 cm de espaço relativamente à parte superior do produto, 1 cm relativamente aos lados esquerdo e direito e 5 cm relativamente à parte posterior para permitir a ventilação. Caso contrário, o calor poderá acumular-se dentro do produto e provocar um incêndio ou danificar o produto.
- 6 Não coloque o produto num espaço exterior ou num local em que possa ficar exposto a água. Caso contrário poderá provocar um incêndio, sofrer um choque elétrico ou danificar o produto.
- 7 Não instale o produto num local em que fique exposto a pó ou humidade, fumo ou vapor oleosos ou gases corrosivos. Caso contrário poderá provocar um incêndio, sofrer um choque elétrico ou danificar o produto.
- 8 Certifique-se de que o produto fica nivelado. Não o vire ao contrário nem o coloque na vertical. Caso contrário poderá provocar um incêndio, sofrer um choque elétrico ou danificar o produto.
- 9 Evite instalar o produto num local onde objetos estranhos possam cair e entrar dentro do produto e/ou onde este possa estar exposto a gotas ou a salpicos. Não coloque os seguintes objetos em cima do produto:
 - Outros equipamentos, pois podem danificar e/ou provocar a descoloração da superfície do produto.
 - Objetos com chamas (por exemplo, velas), pois estas podem provocar incêndios, danificar o produto e/ou causar ferimentos corporais.
 - Recipientes com líquido, já que estes podem cair e o utilizador poderá sofrer um choque elétrico devido ao líquido, que poderá também danificar o produto.
- 10 Não insira objetos estranhos, como objetos metálicos ou de papel, no produto. Caso contrário poderá provocar um incêndio, sofrer um choque elétrico ou danificar o produto.
- 11 Se ouvir trovoadas, evite tocar no produto. Caso contrário, poderá sofrer um choque elétrico.
- 12 O produto deve ser utilizado a, pelo menos, 22 cm de distância de pessoas com um pacemaker, desfibrilhador ou um dispositivo semelhante. Caso contrário o funcionamento do dispositivo poderá ser afetado, o que poderá provocar um acidente grave.
- 13 Não utilize este produto perto de equipamento médico. As ondas de rádio deste produto podem ter um impacto negativo no funcionamento do equipamento médico eletrónico. Não utilize este produto em locais onde existam restrições às ondas de rádio, como perto de equipamento médico.
- 14 Tenha cuidado para não danificar os cabos do microfone.
 - Não coloque objetos pesados sobre os cabos.
 - Não modifique os cabos.
 - Não fixe os cabos com agrafos.
 - Não utilize força excessiva ao manusear os cabos.
 - Não coloque os cabos perto de fontes de calor.
 Caso contrário poderá provocar um incêndio, sofrer um choque elétrico ou danificar o produto.
- 15 Utilize apenas o cabo do microfone fornecido com o produto. Utilizar outros cabos do microfone poderá provocar incêndios, choque elétrico ou danificar o produto.
- 16 Certifique-se de que tem as mãos secas quando ligar ou desligar o microfone ou os cabos. Caso contrário poderá sofrer um choque elétrico ou danificar o produto.
- 17 Não instale o produto num local instável ou onde possa ficar exposto a vibrações, já que isso o poderia fazer cair ou virar-se, o que poderia provocar ferimentos ou danificar o produto.
- 18 Não instale o produto num local onde possa ficar exposto à luz direta do sol ou a temperaturas extremamente elevadas (perto de um aquecedor, etc.). Caso contrário poderá danificar o produto.
- 19 Não se sente/coloque de pé em cima do produto nem coloque outros objetos sobre o mesmo. Caso contrário poderá danificar o produto.
- 20 Não utilize o produto em locais onde este fique exposto a alterações rápidas na temperatura ambiente. Uma alteração rápida na temperatura ambiente poderia resultar na formação de condensação no produto, o que poderia danificá-lo. Em caso de condensação, mantenha o produto desligado durante algum tempo até que este seque.
- 21 Elimine toda a eletricidade estática do corpo e da roupa, antes de tocar no produto. Caso contrário poderá danificar o produto.
- 22 Ligue e organize os cabos do microfone de modo que não sejam um obstáculo. Se os cabos do microfone forem puxados ou ficarem presos nas pernas de uma pessoa, o produto e os equipamentos ligados poderão ser puxados ou cair, o que poderá provocar ferimentos ou danificar o produto.
- 23 Não ligue o produto a nenhum outro equipamento que não o YVC-CTU1000 ou o YVC-MIC1000. Caso contrário poderá provocar um incêndio, sofrer um choque elétrico ou danificar o produto.

Precauções de utilização

- Este produto foi concebido para ser utilizado em espaços normais, não estando apto a ser utilizado em atividades que exijam um elevado grau de fiabilidade, como a gestão de vidas humanas ou bens de elevado valor.
- Note que a Yamaha não assume qualquer responsabilidade pelos danos provocados pela utilização ou configuração incorretas do produto.
- Consoante o ambiente de utilização, este produto pode gerar ruído em telefones, rádios, televisões, etc. Se isso ocorrer, instale o produto noutra local ou altere a sua orientação.
- Se entregar este produto a terceiros, entregue também este manual e os acessórios fornecidos.
- Siga as instruções do governo local para a eliminação deste produto.

Advertência: A operação deste equipamento em um ambiente residencial pode causar interferências de radioelétricas.

Informações para os utilizadores relativas à recolha e eliminação de equipamentos usados



Este símbolo, presente em produtos, embalagens e/ou incluído na documentação associada, indica que os produtos elétricos e eletrônicos usados não devem ser eliminados juntamente com os resíduos domésticos em geral. O procedimento correto consiste no tratamento, recuperação e reciclagem de produtos usados, pelo que deve proceder à respetiva entrega nos pontos de recolha adequados, em conformidade com a legislação nacional em vigor.

A eliminação destes produtos de forma adequada permite poupar recursos valiosos e evitar potenciais efeitos prejudiciais para a saúde pública e para o ambiente, associados ao processamento incorreto dos resíduos.

Para mais informações relativas à recolha e reciclagem de produtos usados, contacte as autoridades locais, o serviço de eliminação de resíduos ou o ponto de venda onde foram adquiridos os itens relevantes.

Informações para utilizadores empresariais na União Europeia:

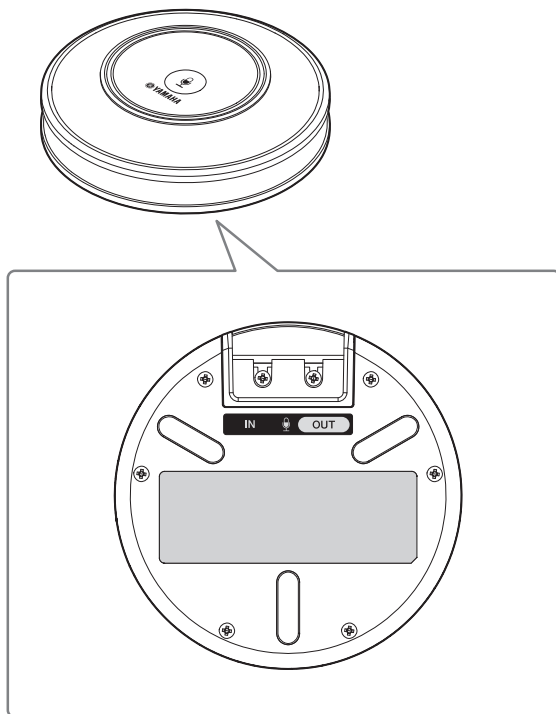
Para proceder à eliminação de equipamento elétrico e eletrónico, contacte o seu revendedor ou fornecedor para obter informações adicionais.

Informações relativas à eliminação em países não pertencentes à União Europeia:

Este símbolo é válido exclusivamente na União Europeia. Caso pretenda eliminar este tipo de itens, contacte as autoridades locais ou o seu revendedor e informe-se acerca do procedimento correto para proceder à respetiva eliminação.

Localização da placa de identificação

A placa de identificação encontra-se na parte inferior do microfone.



Introdução

Obrigado por ter adquirido o YVC-MIC1000EX. O YVC-MIC1000EX é um microfone opcional concebido especificamente para ser utilizado com o YVC-1000, um sistema de comunicações unificadas entre microfone e altifalante.

Leia este manual cuidadosamente antes de instalar e ligar o produto.

Mantenha este manual num local seguro para referência futura.

- É proibido copiar ou utilizar qualquer parte deste manual sem permissão da Yamaha.
- O conteúdo deste manual se aplica às especificações mais recentes a partir da data de publicação. Para obter o manual mais recente, acesse o site abaixo e faça o download do arquivo do manual.
<https://uc.yamaha.com/resources/support/>
- A Yamaha não é responsável por quaisquer perdas ou corrupção de dados resultantes da utilização do produto. Note que a garantia só abrange a reparação do produto.

Verificar o conteúdo da embalagem

- Microfone (YVC-MIC1000) x 1
- Cabo do microfone (5 m) x 1
- Manual do utilizador (este manual) x 1

Leia também os outros manuais de instruções

Este manual contém apenas as informações mais importantes.

Para mais informações sobre como utilizar o produto, leia o seguinte:

Manual do utilizador do YVC-1000: Inclui informações sobre como utilizar o produto juntamente com o YVC-1000.

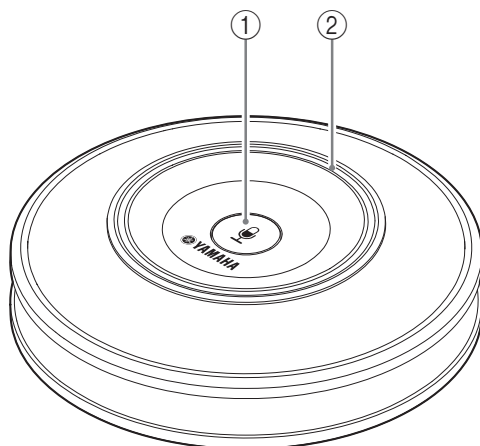
Transfira o manual do utilizador mais recente a partir da página de transferências do nosso website.

■Página de transferências

<https://uc.yamaha.com/resources/support/>

Controlos e funções

Microfone (YVC-MIC1000)



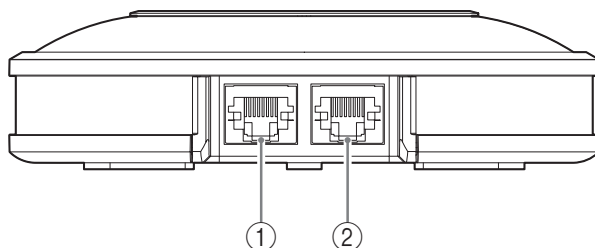
① Botão para silenciar o microfone

Prima para desligar (silenciar) o microfone temporariamente. Para cancelar a função silenciar, prima-o novamente.

② Indicador de estado do microfone

Acende-se a verde quando o microfone está ativo. Pisca a vermelho quando o microfone está no modo de silêncio.

Microfone (YVC-MIC1000): parte lateral



① Terminal de entrada (IN)

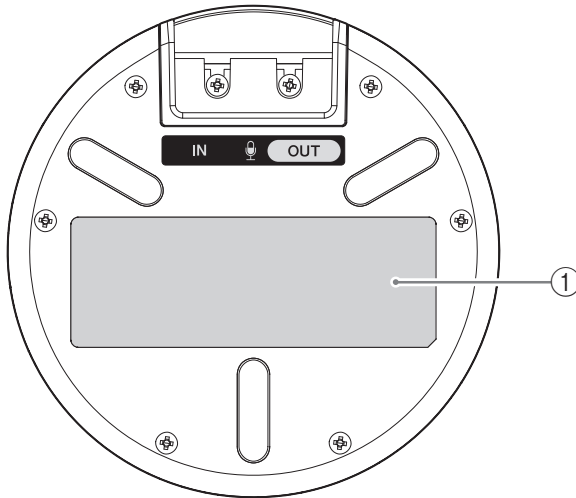
Para ligar o microfone adicional (YVC-MIC1000EX) com o cabo do microfone.

② Terminal de saída (OUT)

Para ligar o microfone com o cabo do microfone.

Para instruções mais detalhadas, consulte o manual do utilizador do YVC-1000.

Microfone (YVC-MIC1000): parte inferior



① Placa de identificação

Contém as seguintes informações.

Model No.: número de modelo do produto

SERIAL LABEL: número de série do produto

Especificações

Geral

Interface:	Terminais de entrada e de saída
Ambiente de funcionamento:	Temperatura: 0 °C a 40 °C (32 °F a 104 °F) Humidade: 20% a 85% (sem condensação)
Ambiente de armazenamento:	Temperatura: -20 °C a 50 °C (-4 °F a 122 °F) Humidade: 10% a 90% (sem condensação)
Dimensões:	136 (L) x 36 (A) x 136 (P) mm (5,35 x 1,42 x 5,35 pol)
Peso:	0,4 kg (0,9 lb)
Acessórios:	Cabo do microfone (5 m), Manual do utilizador

Áudio

Microfones:	Unidirecional x 3
--------------------	-------------------

Содержание

Меры безопасности	2	Элементы управления и функции	6
Меры предосторожности при эксплуатации устройства	3	Микрофон (YVC-MIC1000)	6
Место расположения таблички с техническими данными	4	Микрофон (YVC-MIC1000): Боковая сторона	6
Введение	5	Микрофон (YVC-MIC1000): Нижняя сторона	7
Проверьте содержимое комплекта поставки	5	Техническая спецификация	8
Пожалуйста, помимо данного руководства, прочтите все другие руководства по эксплуатации	5	Общие характеристики	8
		Аудио	8

Меры безопасности

- 1 Не прикасайтесь к контактам пальцами или металлическими предметами.
Несоблюдение этого требования может привести к поражению электрическим током или повреждению устройства.
- 2 Не допускайте падений или сильных нагрузок на устройство.
Повреждение его внутренних деталей может привести к поражению электрическим током, возгоранию или поломке устройства.
- 3 Если устройство было повреждено, обязательно обратитесь к продавцу, чтобы произвести необходимый ремонт или проверку устройства.
Дальнейшая эксплуатация такого устройства может привести к возгоранию или поражению электрическим током.
- 4 Не разбирайте и никоим образом не модифицируйте данное устройство.
Несоблюдение этого требования может привести к возгоранию, поражению электрическим током или повреждению устройства.
- 5 Не перекрывайте систему охлаждения устройства.
 - Не накрывайте устройство тканью, скатертью и т. п.
 - Не кладите устройство на коврик, ковер и т. п.
 - Не зажимайте и не помещайте устройство в узкое пространство с плохой циркуляцией воздуха.
 - Не закрывайте вентиляционные отверстия.
 Оставляйте вентилируемое пространство не менее 1 сантиметра сверху, 1 сантиметра слева и справа, а также 5 сантиметров с задней стороны устройства.
Несоблюдение этих требований может вызвать аккумулярование выделяемого в процессе работы тепла внутри устройства и привести к его возгоранию или повреждению.
- 6 Не устанавливайте устройство на открытом воздухе или в местах, где на него может попасть вода.
Несоблюдение этого требования может привести к возгоранию, поражению электрическим током или повреждению устройства.
- 7 Не устанавливайте устройство там, где оно будет подвержено воздействию пыли или влаги, копоти или пара, а также коррозионного газа.
Несоблюдение этого требования может привести к возгоранию, поражению электрическим током или повреждению устройства.
- 8 Устанавливайте устройство в горизонтальном положении.
Не ставьте его вверх дном или вертикально.
Несоблюдение этого требования может привести к возгоранию, поражению электрическим током или повреждению устройства.
- 9 Не устанавливайте устройство там, где на него сверху может упасть посторонний предмет и/или на него могут попасть капли или брызги каких-либо жидкостей.
Не помещайте сверху на устройство следующие предметы:
 - Другие элементы системы во избежание повреждения и/или изменения цвета поверхности устройства.
 - Горящие предметы (например, свечи) во избежание возгорания, повреждения устройства и/или травмы.
 - Контейнеры с жидкостью во избежание их опрокидывания и разливания этих жидкостей, что может привести к поражению электрическим током пользователя и/или повреждению устройства.
- 10 Не вставляйте металлические, бумажные и прочие посторонние предметы в устройство.
Несоблюдение этого требования может привести к возгоранию, поражению электрическим током или повреждению устройства.
- 11 Не прикасайтесь к устройству во время грозы.
Несоблюдение этого требования может привести к поражению электрическим током.
- 12 Устройство должно использоваться на расстоянии по меньшей мере 22-х сантиметров от лиц, пользующихся кардиостимуляторами, дефибриляторами или другими аналогичными устройствами.
Несоблюдение этого правила может повлиять на работу кардиостимулятора и привести к несчастному случаю с тяжелыми последствиями.
- 13 Не используйте устройство рядом с медицинским оборудованием.
Испускаемые устройством радиоволны могут отрицательно повлиять на работу электро-медицинского оборудования. Не используйте устройство в местах ограничения использования радиоволн (например, рядом с медицинским оборудованием).
- 14 Не допускайте повреждения микрофонных кабелей.
 - Не ставьте сверху на кабели тяжелые предметы.
 - Не модифицируйте кабели.
 - Не закрепляйте кабели с помощью скоб.
 - Не прикладывайте излишнюю силу при обращении с кабелем.
 - Не располагайте кабели вблизи источников тепла.
 Несоблюдение этих требований может привести к возгоранию, поражению электрическим током или повреждению устройства.
- 15 Обязательно используйте микрофонный кабель, прилагаемый в комплекте к устройству.
Использование иных микрофонных кабелей может привести к возгоранию, поражению электрическим током или повреждению устройства.
- 16 Осуществляйте подключение или отключение микрофона или кабелей сухими руками.
Несоблюдение этого требования может привести к поражению электрическим током или повреждению устройства.
- 17 Не устанавливайте устройство в неустойчивом месте или там, где оно будет подвергаться воздействию вибрации.
В противном случае оно может упасть или перевернуться вверх дном, что приведет к травме или повреждению устройства.
- 18 Не устанавливайте устройство в местах, подверженных воздействию прямого солнечного света или чрезвычайно высоких температур (вблизи нагревателей и т. п.).
Несоблюдение этого требования может привести к повреждению устройства.
- 19 Не садитесь, не вставляйте на устройство и не ставьте на него другие предметы.
Несоблюдение этого требования может привести к повреждению устройства.
- 20 Не используйте устройство в местах, подверженных резким изменениям температуры окружающей среды.
Любое быстрое изменение температуры окружающей среды может привести к конденсации влаги на устройстве и к его поломке.
При появлении на устройстве конденсированной влаги оставьте его выключенным до полного высыхания.
- 21 Перед тем, как прикасаться к устройству, снимите со своего тела или одежды статическое электричество.
Несоблюдение этого требования может привести к повреждению устройства.
- 22 Правильным образом протяните и подключите микрофонные кабели.
Если неосторожно потянуть за микрофонные кабели или зацепиться о них, то устройство или подключенное оборудование может опрокинуться или упасть, что приведет к травме или его повреждению.
- 23 Не подключайте данное устройство к другим элементам оборудования, кроме YVC-CTU1000 или YVC-MIC1000.
Несоблюдение этого требования может привести к возгоранию, поражению электрическим током или повреждению устройства.

Меры предосторожности при эксплуатации устройства

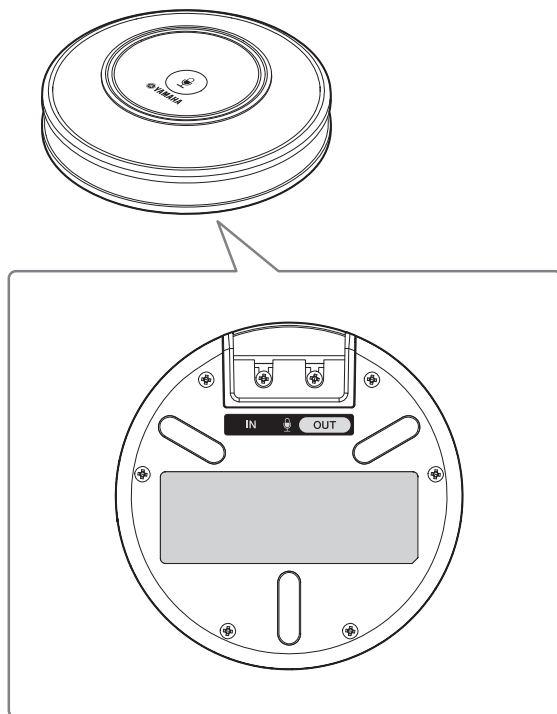
- Данное устройство спроектировано для использования в обычных офисных помещениях и конструктивно не предназначено для применения в любых требующих высокой степени надежности работы областях, ответственных за жизни людей или ценные активы.
- Просим Вас принять во внимание тот факт, что компания Yamaha не несет никакой ответственности за любой ущерб, причиненный в результате неправильного использования или настройки данного устройства.
- В зависимости от условий эксплуатации, данное устройство может являться причиной возникновения помех в телефонной, радио, телевизионной связи и т. п. В таком случае измените место его установки или его положение.
- При передаче устройства в третьи руки, пожалуйста, приложите к нему данное руководство, а также все идущие в комплекте аксессуары.
- При утилизации устройства следуйте предписаниям Вашего органа местного самоуправления.

ПРЕДУПРЕЖДЕНИЕ

ДЛЯ УМЕНЬШЕНИЯ РИСКА ВОЗГОРАНИЯ ИЛИ ПОРАЖЕНИЯ ЭЛЕКТРИЧЕСКИМ ТОКОМ НЕ ПОДВЕРГАЙТЕ УСТРОЙСТВО ВОЗДЕЙСТВИЮ ВЛАГИ.

Место расположения таблички с техническими данными

Табличка с техническими данными находится на нижней части микрофона.



Введение

Благодарим Вас за покупку YVC-MIC1000EX. YVC-MIC1000EX является дополнительным микрофоном, разработанным специально для использования в сочетании с микрофонной и акустической системой для унифицированных коммуникаций YVC-1000.

Пожалуйста, внимательно прочитайте данное руководство перед установкой и подключением устройства.

Бережно храните данное руководство в надежном месте для того, чтобы в случае необходимости им всегда можно было воспользоваться.

- Никакая часть данного руководства не может быть скопирована или использована в любой форме без разрешения компании Yamaha.
- Содержание данного руководства относится к самой последней на дату его публикации технической спецификации устройства. Для того, чтобы получить обновленное руководство последней версии, зайдите на следующий веб-сайт и скачайте соответствующий файл.
<https://uc.yamaha.com/resources/support/>
- Компания Yamaha не несет никакой ответственности за любые возможные потери или повреждения данных в результате использования данного устройства. Обратите внимание, что гарантия распространяется только на ремонт данного устройства.

Проверьте содержимое комплекта поставки

- Микрофон (YVC-MIC1000) x 1
- Микрофонный кабель (5 метров) x 1
- Руководство пользователя (данное руководство) x 1

Пожалуйста, помимо данного руководства, прочтите все другие руководства по эксплуатации

Данное руководство содержит только основную информацию.

Для получения более подробной информации об использовании данного устройства, пожалуйста, прочтите следующее:

Руководство пользователя YVC-1000: Содержит информацию об использовании устройства в сочетании с YVC-1000.

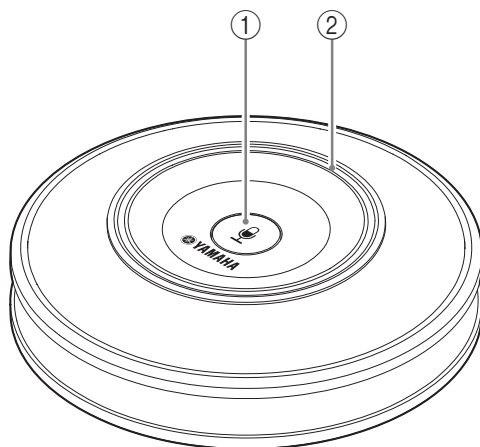
Пожалуйста, скачайте последнюю версию Руководства пользователя со страницы загрузки на нашем сайте.

■ Страница загрузки

<https://uc.yamaha.com/resources/support/>

Элементы управления и функции

Микрофон (YVC-MIC1000)



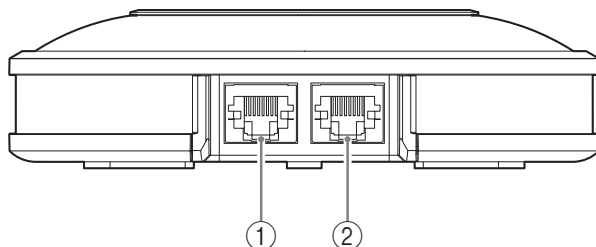
① Кнопка временного отключения микрофона

Нажмите, чтобы временно отключить (выключить звук) микрофон. Для того, чтобы отменить функцию временного выключения звука, нажмите эту кнопку еще раз.

② Индикатор состояния микрофона

Горит зеленым, когда микрофон включен. Мигает красным, когда микрофон временно отключен.

Микрофон (YVC-MIC1000): Боковая сторона



① Входной разъем (IN)

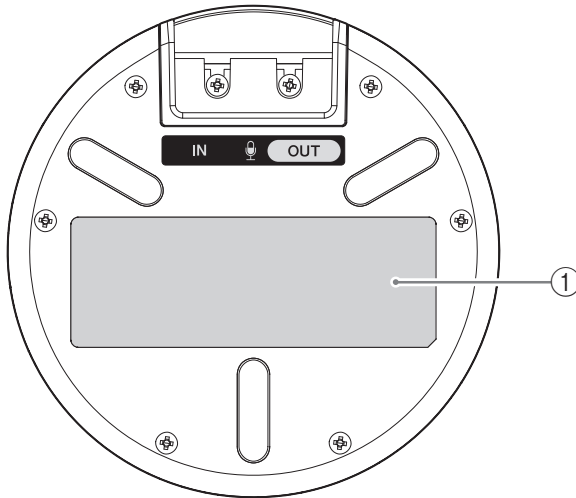
Используется для подключения дополнительного микрофона (YVC-MIC1000EX) с помощью микрофонного кабеля.

② Выходной разъем (OUT)

Используется для подключения микрофона с помощью микрофонного кабеля.

Подробнее см. Руководство пользователя YVC-1000.

Микрофон (YVC-MIC1000): Нижняя сторона



① Табличка с техническими данными

Содержит следующую информацию.

Model No.: Номер модели устройства

SERIAL LABEL: Серийный номер устройства

Техническая спецификация

Общие характеристики

Интерфейс:	Входные и выходные разъемы
Условия эксплуатации:	Температура: от 0 до 40 °C (от 32 до 104 °F) Влажность: от 20 до 85% (без конденсации)
Условия хранения:	Температура: от -20 до +50°C (от -4 до 122°F) Влажность: от 10 до 90% (без конденсации)
Размеры:	136 (Ш) x 36 (В) x 136 (Г) миллиметров (5,35 x 1,42 x 5,35 дюйма)
Вес:	0,4 килограмма (0,9 фунта)
Аксессуары:	Микрофонный кабель (5 метров), Руководство пользователя

Аудио

Блок микрофонов:	Однонаправленный x 3
-------------------------	----------------------

Important Notice: Guarantee Information for customers in European Economic Area (EEA) and Switzerland

Important Notice: Guarantee Information for customers in EEA* and Switzerland	English
For detailed guarantee information about this Yamaha product, and Pan-EEA* and Switzerland warranty service, please either visit the website address below (Printable file is available at the website) or contact the Yamaha representative office for your country. * EEA: European Economic Area	
Wichtiger Hinweis: Garantie-Information für Kunden in der EWR* und der Schweiz	Deutsch
Für nähere Garantie-Information über dieses Produkt von Yamaha, sowie über den Pan-EWR*- und Schweizer Garantieservice, besuchen Sie bitte entweder die folgend angegebene Internetadresse (eine druckfähige Version befindet sich auch auf der Webseite), oder wenden Sie sich an den für Ihr Land zuständigen Yamaha-Vertrieb. *EWR: Europäischer Wirtschaftsraum	
Remarque importante: informations de garantie pour les clients de l'EEE et la Suisse	Français
Pour des informations plus détaillées sur la garantie de ce produit Yamaha et sur le service de garantie applicable dans l'ensemble de l'EEE ainsi qu'en Suisse, consultez notre site Web à l'adresse ci-dessous (le fichier imprimable est disponible sur le site Web) ou contactez directement Yamaha dans votre pays de résidence. * EEE : Espace Economique Européen	
Belangrijke mededeling: Garantie-informatie voor klanten in de EER* en Zwitserland	Nederlands
Voor gedetailleerde garantie-informatie over dit Yamaha-product en de garantieservice in heel de EER* en Zwitserland, gaat u naar de onderstaande website (u vindt een afdrukbaar bestand op de website) of neemt u contact op met Yamaha-vertegenwoordiger in uw land. * EER: Europese Economische Ruimte	
Aviso importante: información sobre la garantía para los clientes del EEE* y Suiza	Español
Para una información detallada sobre este producto Yamaha y sobre el soporte de garantía en la zona EEE* y Suiza, visite la dirección web que se incluye más abajo (la versión del archivo para imprimir está disponible en el sitio web) o póngase en contacto con el representante de Yamaha en su país. * EEE: Espacio Económico Europeo	
Avviso importante: informazioni sulla garanzia per i clienti residenti nell'EEA* e in Svizzera	Italiano
Per informazioni dettagliate sulla garanzia relativa a questo prodotto Yamaha e l'assistenza in garanzia nei paesi EEA* e in Svizzera, potete consultare il sito Web all'indirizzo riportato di seguito (è disponibile il file in formato stampabile sul sito) oppure contattare l'ufficio di rappresentanza locale della Yamaha. * EEA: Area Economica Europea	
Aviso importante: informações sobre as garantias para clientes da AEE* e da Suíça	Português
Para obter uma informação pormenorizada sobre este produto da Yamaha e sobre o serviço de garantia na AEE* e na Suíça, visite o site a seguir (o arquivo para impressão está disponível no site) ou entre em contato com o escritório de representação da Yamaha no seu país. * AEE: Área Económica Europeia	
Σημαντική σημείωση: Πληροφορίες εγγύησης για τους πελάτες στον EOX* και Ελλάδα	Ελληνικά
Για λεπτομερείς πληροφορίες εγγύησης σχετικά με το παρόν προϊόν της Yamaha και την κάλυψη εγγύησης σε όλες τις χώρες του EOX και την Ελλάδα, επισκεφτείτε την παρακάτω ιστοσελίδα (Εκτυπώσιμη μορφή είναι διαθέσιμη στην ιστοσελίδα) ή απευθυνθείτε στην αντιπροσωπεία της Yamaha στη χώρα σας. * EOX: Ευρωπαϊκός Οικονομικός Χώρος	
Viktigt: Garantiinformation för kunder i EES-området* och Schweiz	Svenska
För detaljerad information om denna Yamahaprodukt samt garantiservice i hela EES-området* och Schweiz kan du antingen besöka nedanstående webbadress (en utskriftsvänlig fil finns på webbplatsen) eller kontakta Yamahas officiella representant i ditt land. * EES: Europeiska Ekonomiska Samarbetsområdet	
Viktig merknad: Garantiinformasjon for kunder i EØS* og Sveits	Norsk
Detaljert garantiinformasjon om dette Yamaha-produktet og garantiservice for hele EØS-området* og Sveits kan fås enten ved å besøke nettstedene nedenfor (utskriftsversjon finnes på nettsiden) eller kontakte Yamaha-kontoret i landet der du bor. *EØS: Det europeiske økonomiske samarbeidsområdet	
Viktig opplysning: Garantioplysninger til kunder i EØO* og Schweiz	Dansk
De kan finde detaljerede garantioplysninger om dette Yamaha-produkt og den fælles garantiserviceordning for EØO* (og Schweiz) ved at besøge det websted, der er angivet nedenfor (der findes en fil, som kan udskrives, på webstedet), eller ved at kontakte Yamaha nationale repræsentationskontor i det land, hvor De bor. * EØO: Det Europæiske Økonomiske Område	

<https://europe.yamaha.com/warranty/>

<p>Tärkeä ilmoitus: Takuutiedot Euroopan talousalueen (ETA)* ja Sveitsin asiakkaille</p> <p>Tämän Yamaha-tuotteen sekä ETA-alueen ja Sveitsin takuuta koskevat yksityiskohtaiset tiedot saatte alla olevasta nettiosoitteesta. (Tulostettava tiedosto saatavissa sivustolla.) Voitte myös ottaa yhteyttä paikalliseen Yamaha-edustajaan. *ETA: Euroopan talousalue</p>	<p>Suomi</p>
<p>Ważne: Warunki gwarancyjne obowiązujące w EOG* i Szwajcarii</p> <p>Aby dowiedzieć się więcej na temat warunków gwarancyjnych tego produktu firmy Yamaha i serwisu gwarancyjnego w całym EOG* i Szwajcarii, należy odwiedzić wskazaną poniżej stronę internetową (Plik gotowy do wydruku znajduje się na stronie internetowej) lub skontaktować się z przedstawicielstwem firmy Yamaha w swoim kraju. * EOG — Europejski Obszar Gospodarczy</p>	<p>Polski</p>
<p>Důležité oznámení: Záruční informace pro zákazníky v EHS* a ve Švýcarsku</p> <p>Podrobné záruční informace o tomto produktu Yamaha a záručním servisu v celém EHS* a ve Švýcarsku naleznete na níže uvedené webové adrese (soubor k tisku je dostupný na webových stránkách) nebo se můžete obrátit na zastoupení firmy Yamaha ve své zemi. * EHS: Evropský hospodářský prostor</p>	<p>Česky</p>
<p>Fontos figyelemzetés: Garancia-információk az EGT* területén és Svájcban élő vásárlók számára</p> <p>A jelen Yamaha termékre vonatkozó részletes garancia-információk, valamint az EGT*-re és Svájcra kiterjedő garanciális szolgáltatás tekintetében keresse fel webhelyünket az alábbi címen (a webhelyen nyomtatható fájl is talál), vagy pedig lépjen kapcsolatba az országában működő Yamaha képviselői irodával. * EGT: Európai Gazdasági Térség</p>	<p>Magyar</p>
<p>Oluline märkus: Garantiteave Euroopa Majanduspiirkonna (EMP)* ja Šveitsi klientidele</p> <p>Täpsema teabe saamiseks selle Yamaha toote garantii ning kogu Euroopa Majanduspiirkonna ja Šveitsi garantiiteeninduse kohta, külastage palun veebisaiti alljärgneval aadressil (sel saidil on saadaval printitav fail) või pöörduge Teie regiooni Yamaha esinduse poole. * EMP: Euroopa Majanduspiirkond</p>	<p>Eesti keel</p>
<p>Svarīgs paziņojums: garantijas informācija klientiem EEZ* un Šveicē</p> <p>Lai saņemtu detalizētu garantijas informāciju par šo Yamaha produktu, kā arī garantijas apkalpošanu EEZ* un Šveicē, lūdzu, apmeklējiet zemāk norādīto tīmekļa vietnes adresi (tīmekļa vietnē ir pieejams drukājams fails) vai sazinieties ar jūsu valsti apkalpojošo Yamaha pārstāvniecību. * EEZ: Eiropas Ekonomikas zona</p>	<p>Latviešu</p>
<p>Dēmesio: informacija dėl garantijos pirkėjams EEE* ir Šveicarijoje</p> <p>Jei reikia išsamios informacijos apie šį „Yamaha“ produktą ir jo techninę priežiūrą visoje EEE* ir Šveicarijoje, apsilankykite mūsų svetainėje toliau nurodytu adresu (svetainėje yra spausdintinas failas) arba kreipkitės į „Yamaha“ atstovybę savo šaliai. *EEE – Europos ekonominė erdvė</p>	<p>Lietuvių kalba</p>
<p>Dôležité upozornenie: Informácie o záruke pre zákazníkov v EHP* a Švajčiarsku</p> <p>Podrobné informácie o záruke týkajúce sa tohto produktu od spoločnosti Yamaha a garančnom servise v EHP* a Švajčiarsku nájdete na webovej stránke uvedenej nižšie (na webovej stránke je k dispozícii súbor na tlač) alebo sa obráťte na zástupcu spoločnosti Yamaha vo svojej krajine. * EHP: Európsky hospodársky priestor</p>	<p>Slovenčina</p>
<p>Pomembno obvestilo: Informacije o garanciji za kupce v EGP* in Švici</p> <p>Za podrobnejše informacije o garanciji za ta Yamahin izdelek ter garancijskem servisu v celotnem EGP in Švici, obiščite spletno mesto, ki je navedeno spodaj (natisljiva datoteka je na voljo na tem spletnem mestu), ali se obrnite na Yamahinega predstavnika v svoji državi. * EGP: Evropski gospodarski prostor</p>	<p>Slovenščina</p>
<p>Важно съобщение: Информация за гаранцията за клиенти в ЕИП* и Швейцария</p> <p>За подробна информация за гаранцията за този продукт на Yamaha и гаранционното обслужване в паневропейската зона на ЕИП* и Швейцария или посетете посочения по-долу уеб сайт (на уеб сайта има файл за печат), или се свържете с представителния офис на Yamaha във вашата страна. * ЕИП: Европейско икономическо пространство</p>	<p>Български език</p>
<p>Notificare importantă: Informații despre garanție pentru clienții din SEE* și Elveția</p> <p>Pentru informații detaliate privind acest produs Yamaha și serviciul de garanție Pan-SEE* și Elveția, vizitați site-ul la adresa de mai jos (fișierul imprimabil este disponibil pe site) sau contactați biroul reprezentanței Yamaha din țara dumneavoastră. * SEE: Spațiul Economic European</p>	<p>Limba română</p>

<https://europe.yamaha.com/warranty/>



厂名：雅马哈电子（苏州）有限公司
厂址：中国江苏省苏州新区鹿山路 18号

YAMAHA CORPORATION

Manual Development Group
© 2014 Yamaha Corporation
Published 04/2021
2021年4月 发行
ABES-J0

VFF4540