

Heckler

The Lectern Reimagined.

Heckler Lectern
H900





*Shown with optional accessories

Heckler



*Shown with optional accessories

Heckler

The Heckler Lectern completely reimagines the traditional lectern to provide a significantly improved experience for instructors, AV teams, and learners. With universal accessibility, technology future-proofing, and aesthetics designed into its DNA, everyone in your organization will find something to enjoy.

Features

Sit/Stand motorized desktop height adjusts from 30 inches to 50 inches.

Large desktop gives instructors room for their computers, documents, keyboard, mouse, and more.

Fully accessible, ADA-compliant, and provides an identical experience for standing and seated instructors.

Future-proof console area includes:

Three console insert areas for embedding mic chargers, courtesy cables and outlets, control panels, and more.

Four mounting holes for display arms, document camera, lights, and other AV gear.



Heckler

Features

Three stacks of 2RU component racking concealed inside the desktop.

Innovative component layout makes integration a breeze by positioning components directly next to displays, control screens, and courtesy outlets.

Easy-lift desktop offers quick and secure access to components and other gear.

Interior floor features grid for easy wire management, gear mounting, and passive airflow.

Full aluminum and steel construction for strength, durability, and recyclability.



Heckler



Features

Obscured rear surface features four pass-through cable grommets and mounting locations for three 80mm exhaust fans.

Side and rear walls feature mounting locations for modesty panels. Modesty panels are sold separately to enable last-mile installation, and a wide variety of customization.

Heckler

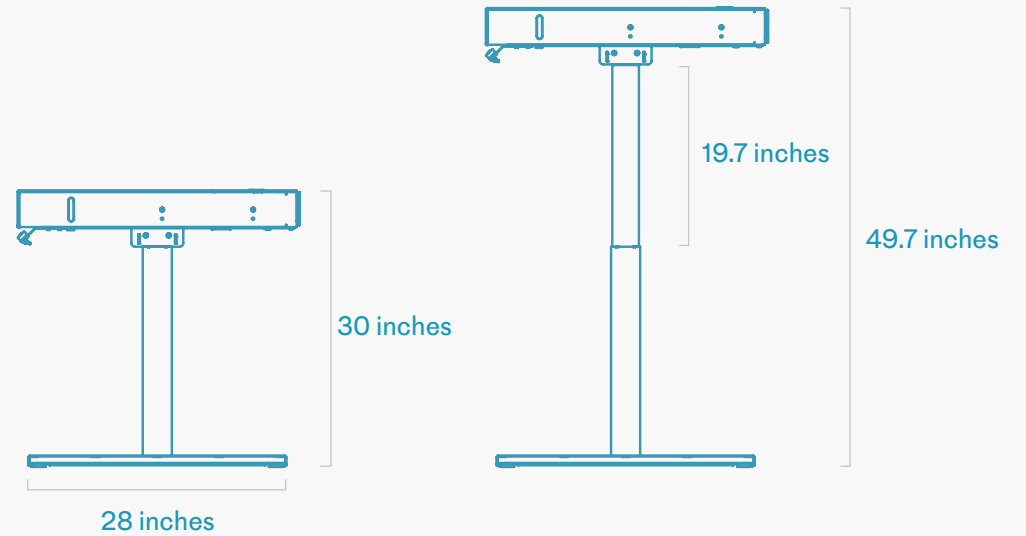
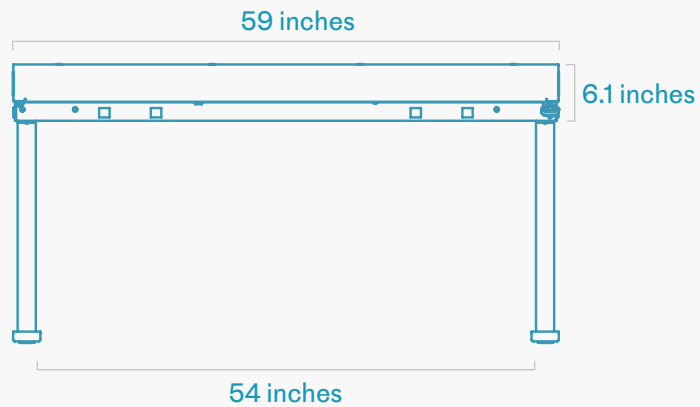
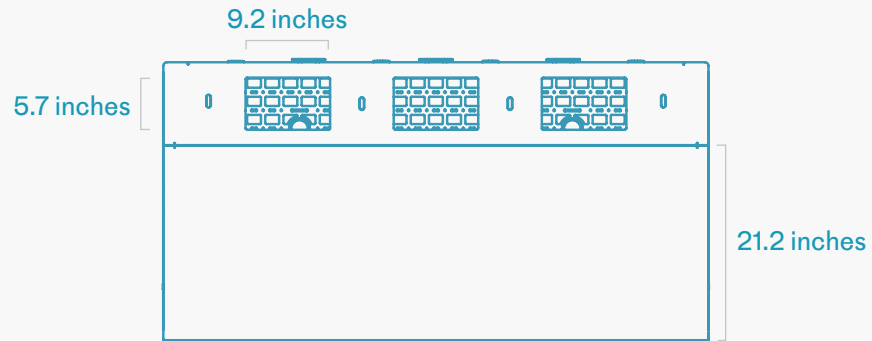
Specifications

SKU	H900-WT Heckler Lectern body. White. T530-WT LINAK Lifting columns and controller. White. T508-WT LINAK Feet with levelers. White.	Country of Origin	US
Color	White. Custom colors available. 16-unit MOQ.	Height Adjustable Range	19.7 inches (30in to 49.7in AFF)
Lectern Dimension	59 x 30.5 x 6.1 inches (269 x 76 x 84 mm)	Maximum Load Capacity	250 lb.
Product Weight	75 lbs (34 kg)	Material	Powder coated Steel Powder coated Aluminum 3D Printed PLA 3D Printed PETG
Sit/Stand Lifting Columns Dimension	9 x 31 x 5.5 inches (230 x 785 x 140 mm)	In the Box	Lectern Main Body Lectern Sit/Stand Lifting Columns Lectern Sit/Stand Feet Lectern Sit/Stand Control Components
Sit/Stand Lifting Columns Weight	28 lbs (13 kg)		
Sit/Stand Feet & Control Components Dimension	2.5 x 31 x 4.5 inches (64 x 785 x 114 mm)		
Sit/Stand Feet & Control Components Weight	8 lbs (4 kg)		
Shipping Dimension	62 x 33 x 14 inches (1575 x 838 x 356 mm)		
Shipping Weight	120 lbs (55 kg)		
Warranty	Lectern Main Body - 2 years Lectern Sit/Stand Lifting Columns - 5 years Lectern Sit/Stand Control Components - 5 years		

H900 Heckler Lectern

Heckler

Drawing



For more information, contact
Heckler or your favorite Heckler
Authorized Dealer.

hecklerdesign.com
sales@hecklerdesign.com
(844) 432-5930

Heckler

The Modern Modesty Panel

**Modesty Panel
for Heckler Lectern
H901**

Heckler



Heckler

The innovative design of Heckler Lectern creates a modern look for teaching tables, podiums, and lecterns. The boxy particle board structures are gone, replaced by a modular modesty panel design that appears to float in mid-air.

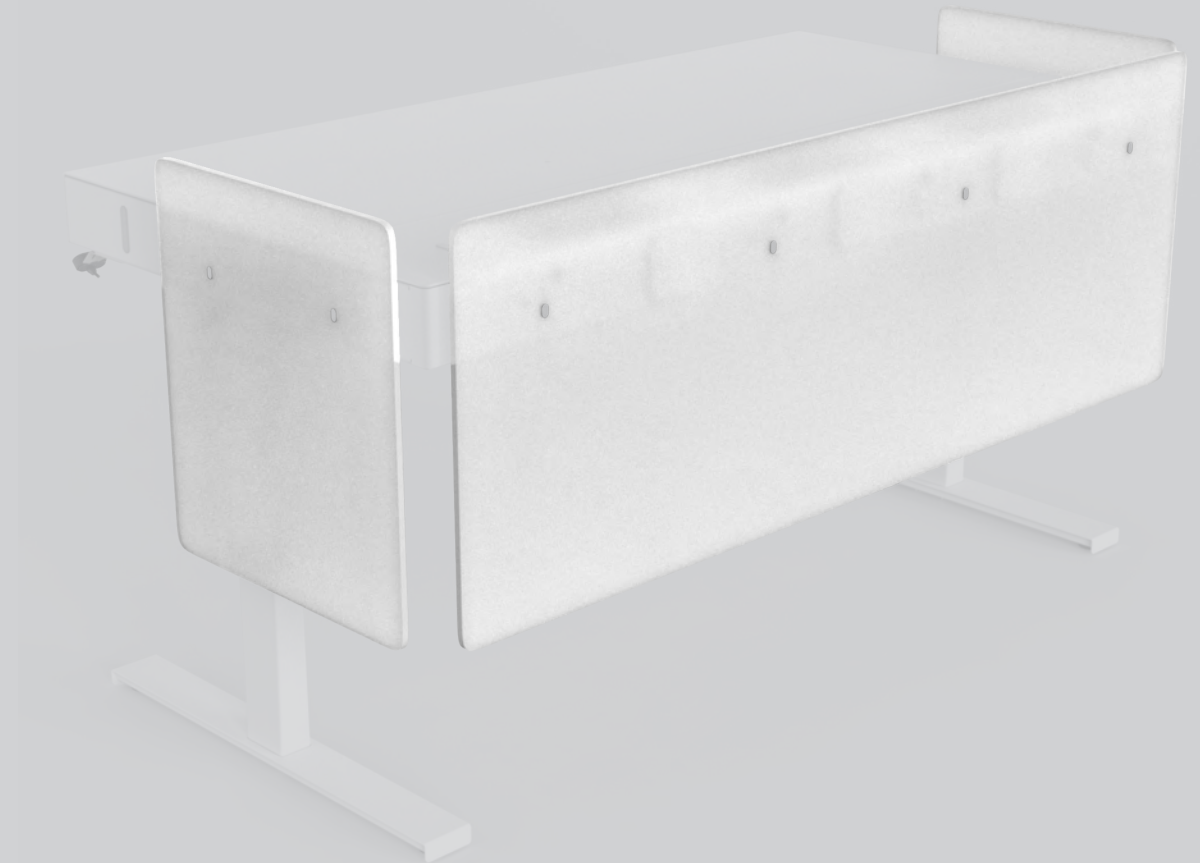
Features

The frosted cast acrylic panels diffuse and obscure the visibility of the instructor, cabling, and desktop contents.

Each Modesty Panel is easily installed by one person in seconds - without tools.

Modesty panel sets are modular and sold separately from the Heckler Lectern to enable customization and last-mile installation.

The front panel can be customized with full-color emblems and logos.



Heckler

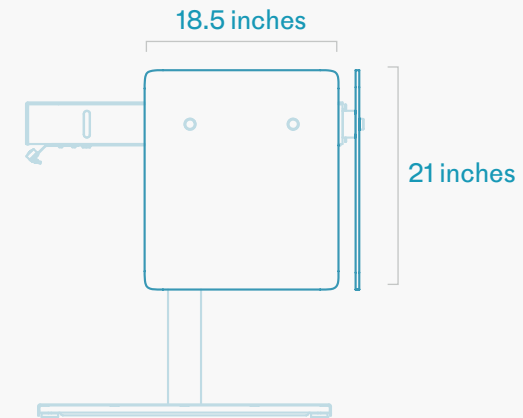


H901 Modesty Panel for Heckler Lectern

Heckler

Specifications

SKU	H901-CL
Color	Frosted, Colorless
Product Dimension	58.3 x 21 x 0.4 inches (1480 x 533 x 9 mm) 18.5 x 21 x 0.4 inches (470 x 533 x 9 mm)
Product Weight	5 lbs (2.3 kg)
Shipping Dimension	62 x 26 x 2 inches (1575 x 660 x 51 mm)
Shipping Weight	7 lbs (3.2 kg)
Warranty	2 years
Country of Origin	US
Material	Cast Acrylic
In the Box	Two Side Modesty Panels One Front Modesty Panel *Modesty Panel mounting hardware and spacers are provided with H900 Heckler Lectern



For more information, contact
Heckler or your favorite Heckler
Authorized Dealer.

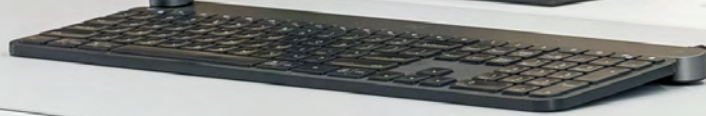
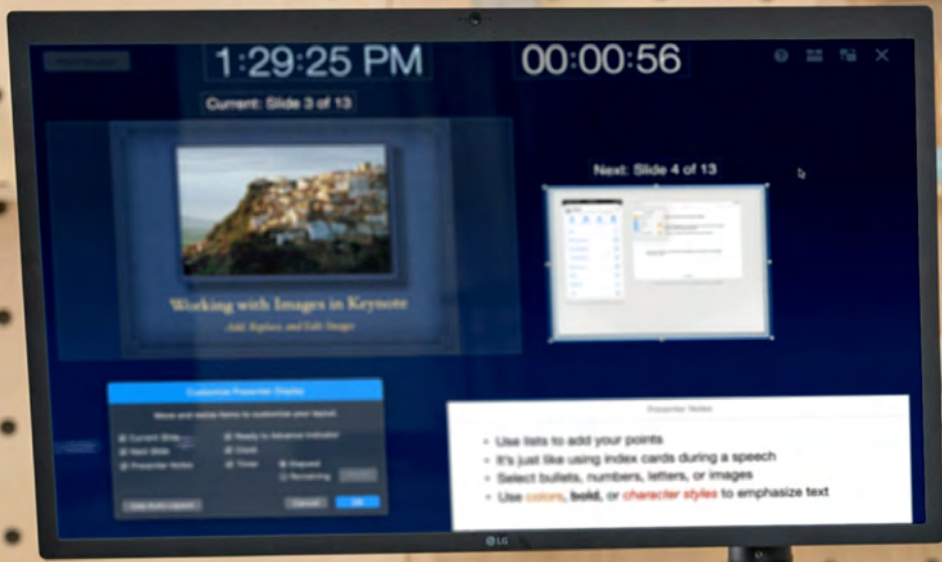
hecklerdesign.com
sales@hecklerdesign.com
(844) 432-5930

Heckler

Enhance Your Work Surface

Desk Pad
for Heckler Lectern
H902





Heckler

Line your Heckler Lectern with an expansive desk pad that will provide an ideal surface for typing, mousing, writing, and document camera use.

Features

Made of premium desktop linoleum and renowned for its elegance and durability. The matte surface and its warm, soft texture make it a unique surfacing solution.

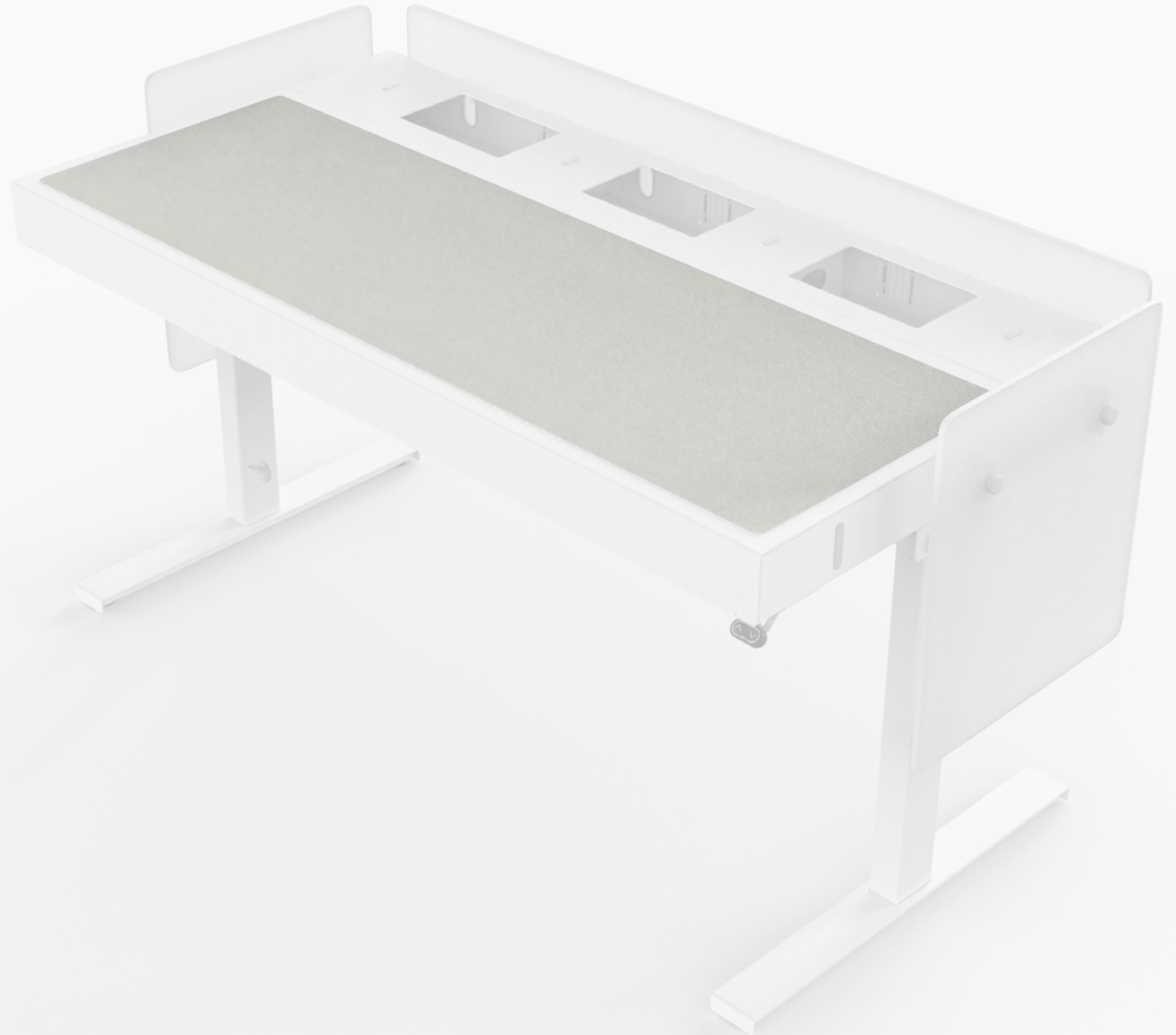
The natural composition and the special surface finish ensure the desk pad is naturally antistatic.

The surface actively resists the build-up of static charges and prevents dust or dirt from sticking to the surface.

Available in twenty one sophisticated colors.

Adheres to the desktop surface to resist sliding and theft.

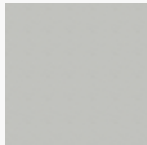
Desk Pads are sold separately to enable last-mile installation and replacement for years to come.



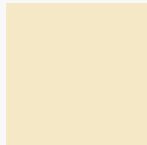
H902 Desk Pad for Heckler Lectern

Heckler

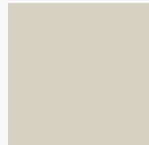
Color options



H902-4117
Vapour



H902-4157
Pearl



H902-4176
Mushroom



H902-4132
Ash



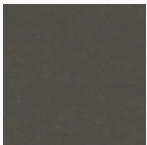
H902-4155
Pewter



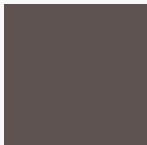
H902-4166
Charcoal



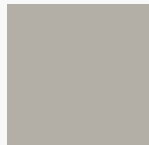
H902-4023
Nero



H902-4178
Iron



H902-4172
Mauve



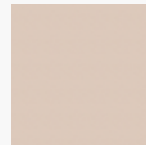
H902-4175
Pebble



H902-4154
Burgundy



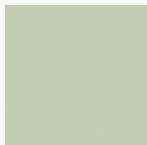
H902-4174
Conifer



H902-4185
Powder



H902-4184
Olive



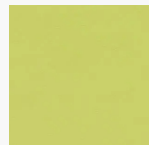
H902-4183
Pistachio



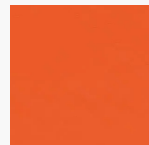
H902-4164
Salsa



H902-4180
Aquavert



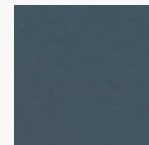
H902-4182
Spring
Green



H902-4186
Orange Blast



H902-4181
Midnight
Blue

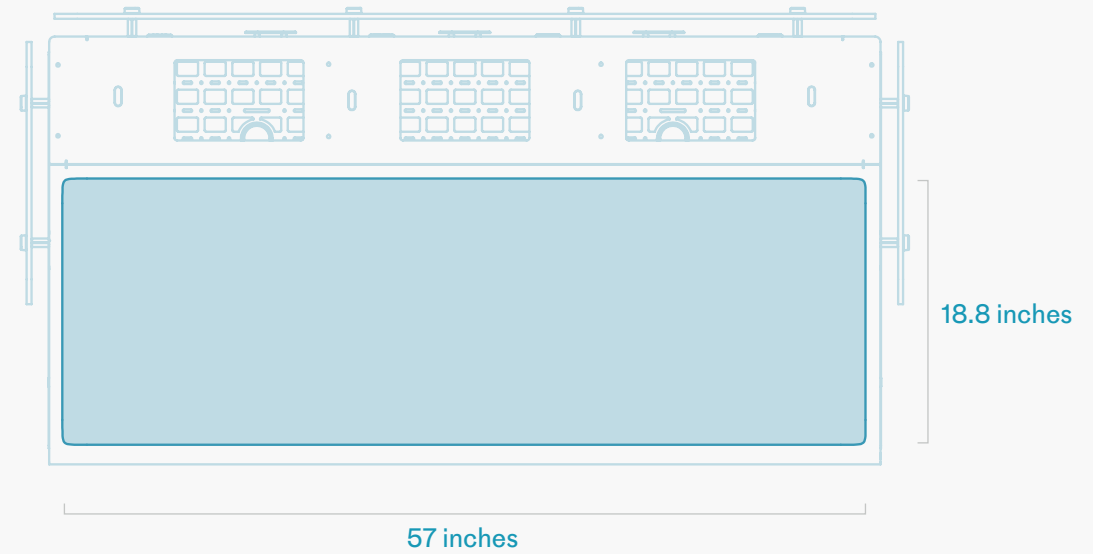


H902-4179
Smokey
Blue

Heckler

Specifications

SKU	H902
Product Dimension	57 x 18.8 x 0.1 inches (1448 x 478 x 2 mm)
Product Weight	1.5 lbs (0.7 kg)
Shipping Dimension	6.5 x 6.5 x 20 inches (165 x 165 x 508 mm)
Shipping Weight	3 lbs (1.4 kg)
Warranty	2 years
Country of Origin	US
Material	Linoleum
In the Box	Desk Pad Application Tool



For more information, contact
Heckler or your favorite Heckler
Authorized Dealer.

hecklerdesign.com
sales@hecklerdesign.com
(844) 432-5930

Heckler

Room To Expand

**Expansion Rack 6U
for Heckler Lectern
H903**





Heckler

The Heckler Lectern provides ample space for integrating 6RU of components inside its desktop. If you require more than 6RU of component storage or need to mount components taller than 2RU, utilize our sleek expansion rack.

Features

6 rack units of contiguous component mounting.

Can be mounted to the Lectern's left or right side.

Designed to be visually obscured by modesty panels to preserve Lectern's light, modern esthetic.

Ample passive airflow provided by its open grid floor and open rear.

Locking, translucent cast acrylic front panel.

Easily mounts to Lectern's steel structure. No tools required.

10-32 threaded rack-mounting holes.

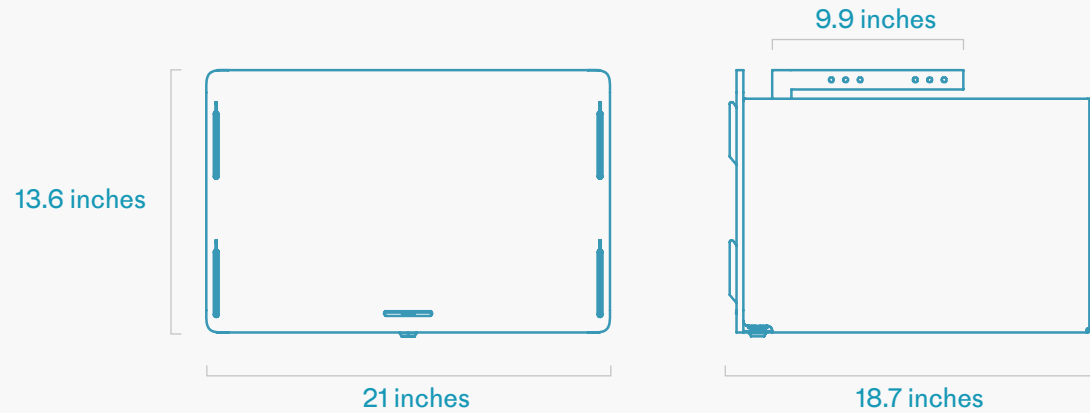
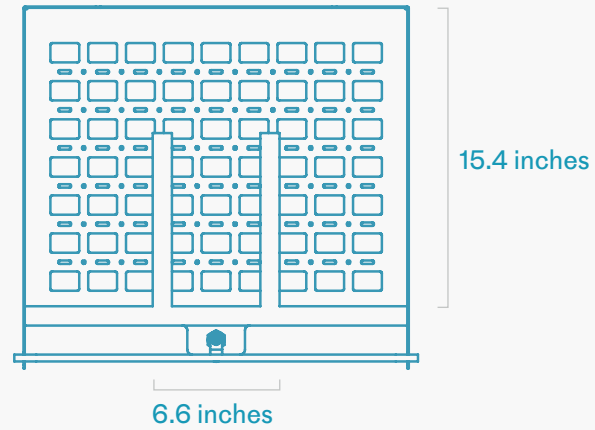
When installed, the remaining leg and chair space is accessible and ADA-compliant.



Heckler

Specifications

SKU	H903
Product Dimension	21 x 18.7 x 13.6 inches (533 x 475 x 345 mm)
Product Weight	15 lbs (6.8 kg)
Shipping Dimension	22 x 20 x 14 inches (559 x 508 x 356 mm)
Shipping Weight	20 lbs (9 kg)
Warranty	2 years
Country of Origin	US
Material	Powder Coated Aluminum Cast Acrylic
In the Box	Expansion Rack 6U Assembly Hardware Two Keys



For more information, contact
Heckler or your favorite Heckler
Authorized Dealer.

hecklerdesign.com
sales@hecklerdesign.com
(844) 432-5930

Heckler

Unlock Mobility

Casters
for Heckler Lectern
H904



Heckler



Heckler

Add some mobility to Heckler Lectern to enable instructors adapt their active learning environments.

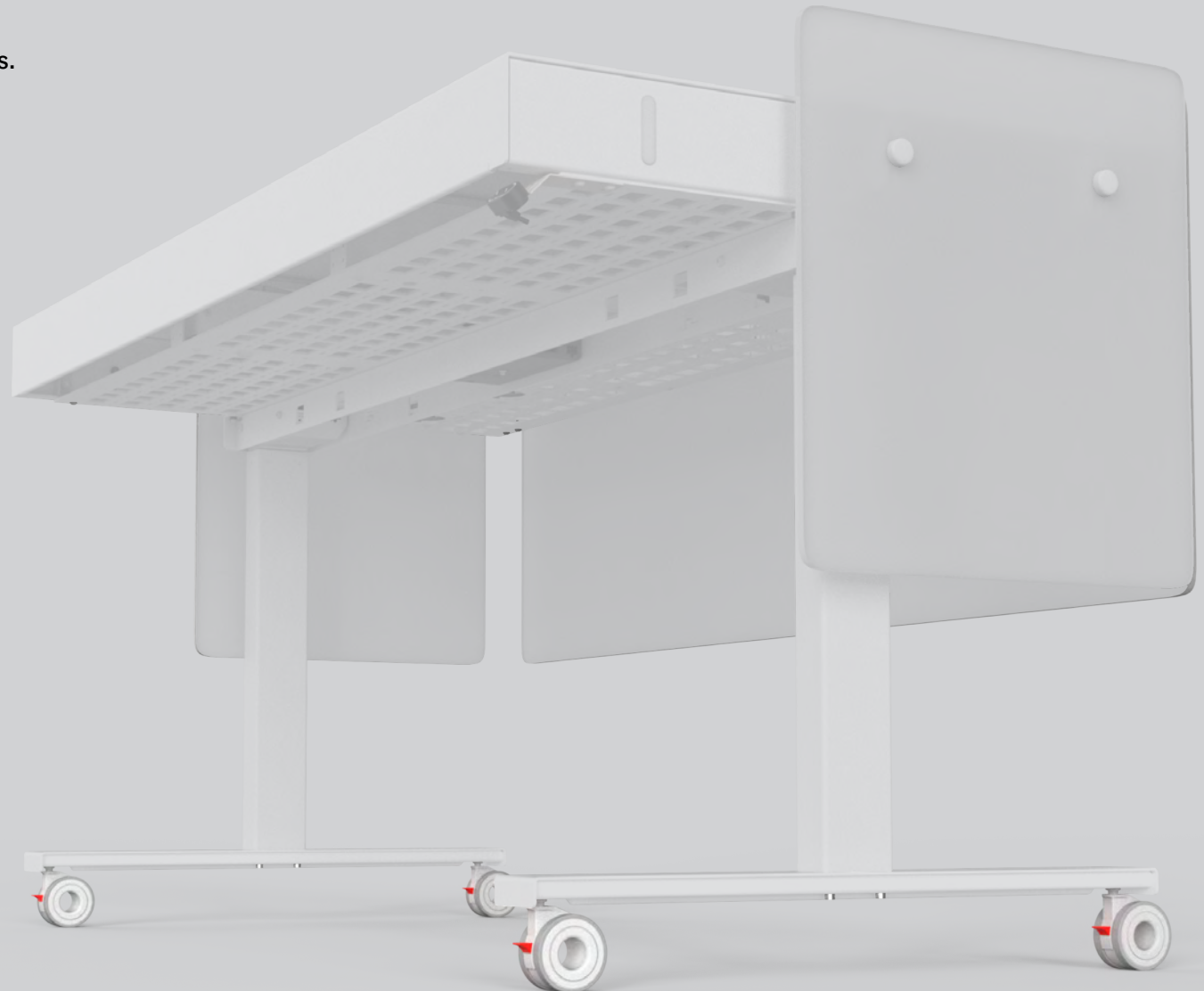
Features

One high-precision chrome steel radial ball bearing per caster provides exceptionally smooth operation.

Twice the load rating of typical casters.

Locking wheels.

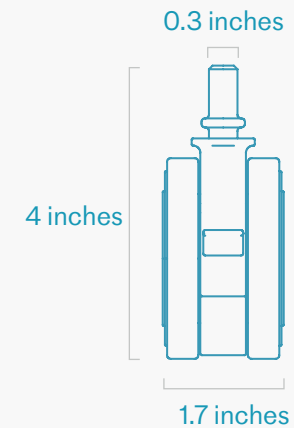
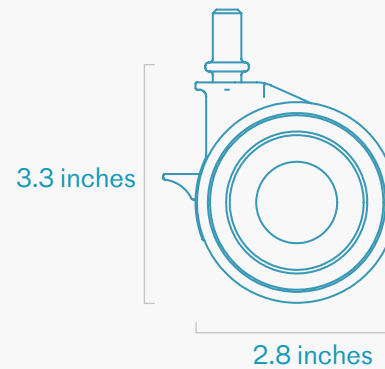
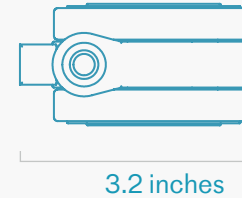
Threaded stem installation.



Heckler

Specifications

SKU	H904
Product Dimension	3.2 x 4 x 1.7 inches (81 x 102 x 43 mm)
Product Weight	1.5 lbs (0.7 kg)
Shipping Dimension	9 x 6.5 x 2.5 inches (559 x 508 x 356 mm)
Shipping Weight	2 lbs (0.9 kg)
Warranty	5 years
Country of Origin	US
Thread Size	M8X1.25 Thread
Wheel Size	70mm (2.8in)
Maximum Weight Load	150 lbs (67.5kg) per caster 600 lbs (270kg) total
Material	Plastic Steel
In the Box	Four Casters Assembly Wrench



**For more information, contact
Heckler or your favorite Heckler
Authorized Dealer.**

**hecklerdesign.com
sales@hecklerdesign.com
(844) 432-5930**

Heckler

Ready To Dock



Console Insert
for Shure SBC 220 or SBC 240
H910

Heckler

With this Heckler Lectern Console Insert, you can seamlessly and conveniently integrate Shure's Networked Docking Charger into your Heckler Lectern.

Features

The docking charger is positioned flush with the Lectern desktop for a clean integrated look.

This product can be installed quickly and securely into the console of a Heckler Lectern, with no tools required.

Compatible with Shure SBC 220 or SBC 240 Docking Chargers.

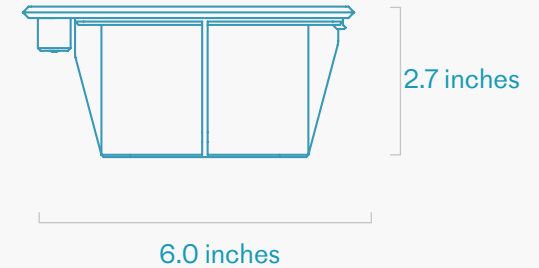
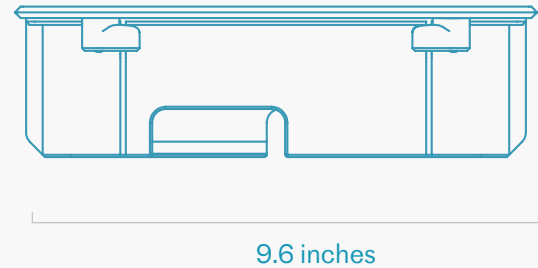
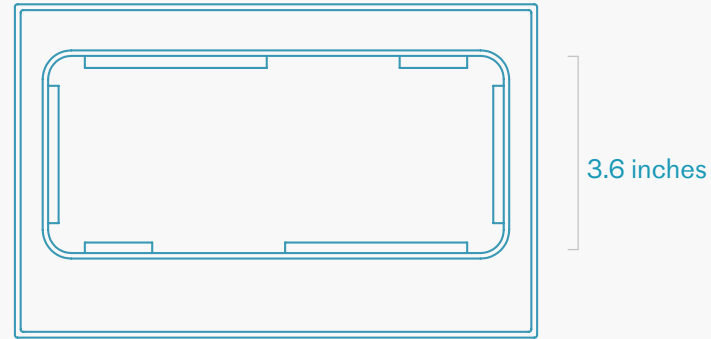


H910 Console Insert for Shure SBC 220 or SBC 240

Heckler

Specifications

SKU	H910
Product Dimension	9.6 x 6 x 2.7 inches (244 x 152 x 69 mm)
Product Weight	1 lbs (0.5 kg)
Shipping Dimension	10 x 7 x 3 inches (254 x 178 x 76 mm)
Shipping Weight	1.5 lbs (0.7 kg)
Warranty	2 years
Country of Origin	US
Material	PLA
In the Box	Console Insert for Shure SBC 220 or SBC 240



For more information, contact
Heckler or your favorite Heckler
Authorized Dealer.

hecklerdesign.com
sales@hecklerdesign.com
(844) 432-5930

Heckler

Duet Ready



**Console Insert
for Dual Shure SBC 220 or SBC 240
H911**

Heckler

With this Heckler Lectern Console Insert, you can seamlessly and conveniently integrate two Shure Networked Docking Chargers into your Heckler Lectern.

Features

Compatible with two Shure SBC 220 or SBC 240 Docking Chargers.

The docking charger is positioned flush with the Lectern desktop for a clutter free integrated look.

This product can be installed quickly and securely into the console of a Heckler Lectern, with no tools required.

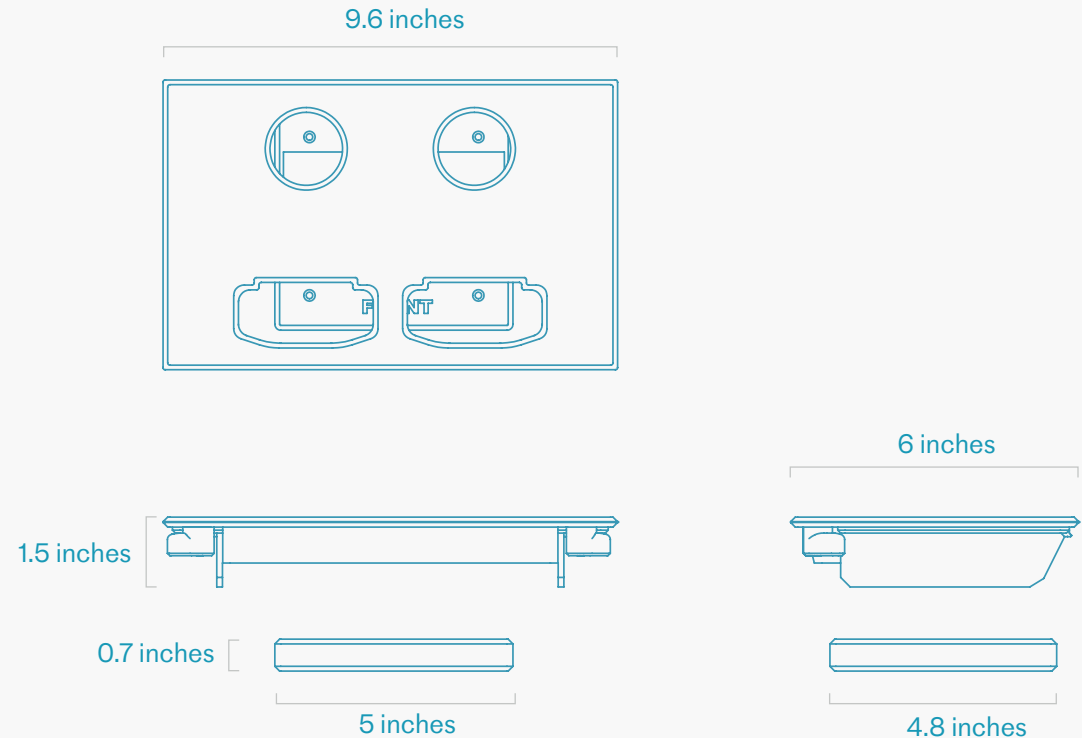
H911 Console Insert for Dual Shure SBC 220 or SBC 240



Heckler

Specifications

SKU	H911
Trim Plate Dimension	9.6 x 6 x 1.5 inches (244 x 152 x 38 mm)
Base Plate Dimension	5 x 4.8 x 0.7 inches (244 x 152 x 18 mm)
Product Weight	1.5 lbs (0.7 kg)
Shipping Dimension	10 x 7 x 3 inches (254 x 178 x 76 mm)
Shipping Weight	2 lbs (0.9 kg)
Warranty	2 years
Country of Origin	US
Material	PLA
In the Box	Console Insert for Shure SBC 220 and SBC 240 Assembly Hardware



For more information, contact
Heckler or your favorite Heckler
Authorized Dealer.

hecklerdesign.com
sales@hecklerdesign.com
(844) 432-5930

Heckler

Integrated Crestron Control



Console Insert

for Crestron TSW 770 & TSW 1070

H912

Heckler

Add the power and versatility of Crestron Touch Screens directly into Heckler Lectern with this sleek Console Insert.

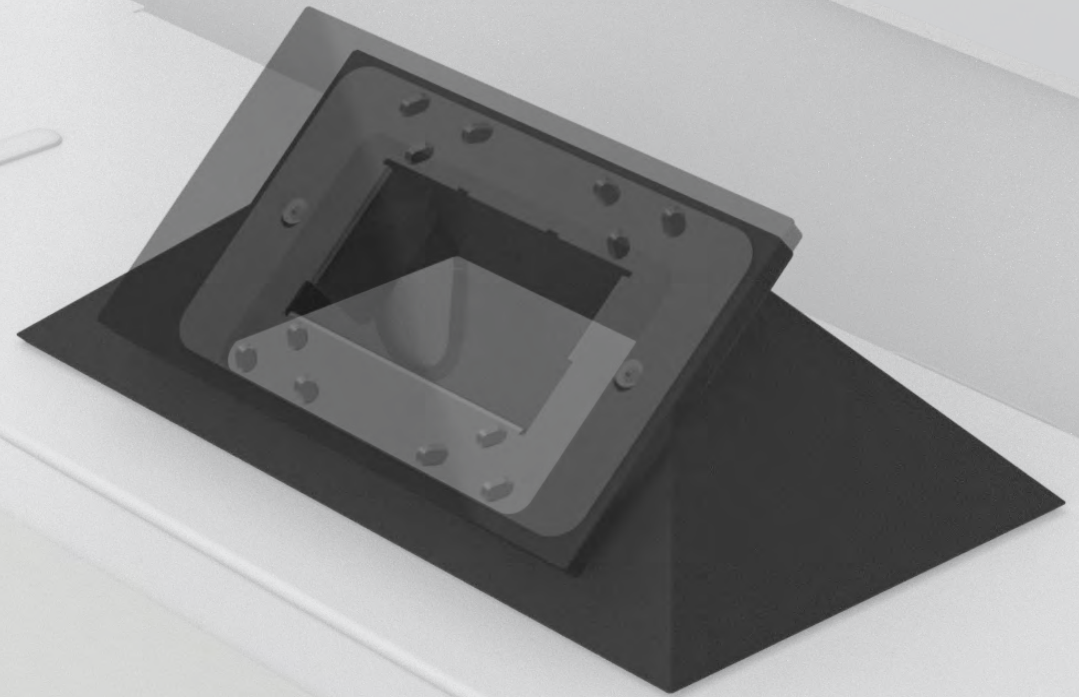
Features

Compatible with Crestron TSW 770 and TSW 1070 Touch Screens.

Positions your Crestron Touch Screens into Heckler Lectern with ADA-Compliance.

This product can be installed quickly and securely into the console of a Heckler Lectern, with no tools required.

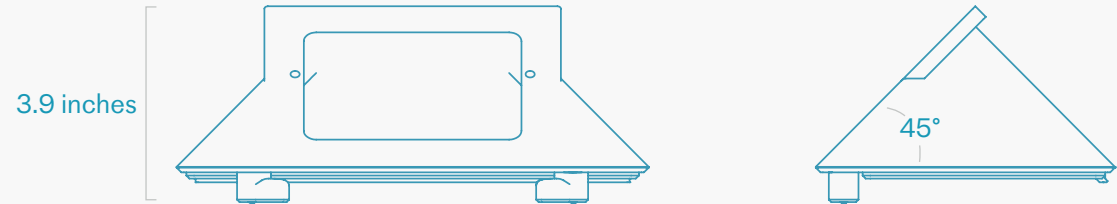
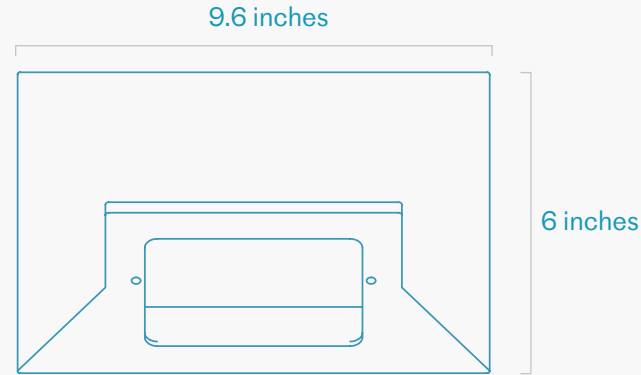
H912 Console Insert for Crestron TSW 770 & TSW 1070



Heckler

Specifications

SKU	H912
Product Dimension	9.6 x 6 x 3.9 inches (244 x 152 x 99 mm)
Product Weight	1.5 lbs (0.7 kg)
Shipping Dimension	12 x 6 x 6 inches (305 x 152 x 152 mm)
Shipping Weight	2 lbs (0.9 kg)
Warranty	2 years
Country of Origin	US
Material	PLA
In the Box	Console Insert for TSW 770 or TSW 1070 Assembly Hardware



For more information, contact
Heckler or your favorite Heckler
Authorized Dealer.

hecklerdesign.com
sales@hecklerdesign.com
(844) 432-5930

Heckler

Add Extron AAP



**Console Insert
for Extron AAP 104
H913**

Heckler

Offer your instructors a full array of courtesy IO by adding the full capabilities of the Extron AAP system to Heckler Lectern.

Features

Compatible with Extron AAP 104 faceplates and AAP Modules.

Positions your courtesy IO with ADA-Compliance.

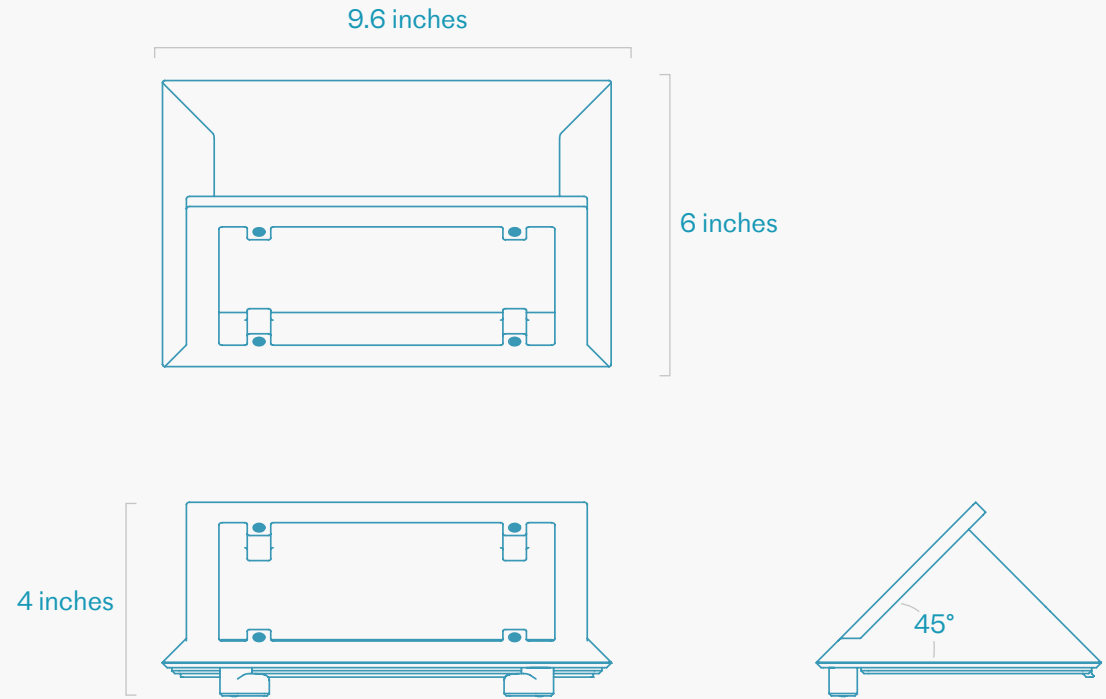
This product can be installed quickly and securely into the console of a Heckler Lectern, with no tools required.



Heckler

Specifications

SKU	H913
Product Dimension	9.6 x 6 x 4 inches (244 x 152 x 102 mm)
Product Weight	1.5 lbs (0.7 kg)
Shipping Dimension	12 x 6 x 6 inches (305 x 152 x 152 mm)
Shipping Weight	2 lbs (0.9 kg)
Warranty	2 years
Country of Origin	US
Material	PLA
In the Box	Console Insert for Extron AAP 104



For more information, contact
Heckler or your favorite Heckler
Authorized Dealer.

hecklerdesign.com
sales@hecklerdesign.com
(844) 432-5930

Heckler

Modern Courtesy IO



Console Insert
for Courtesy IO
H914

Heckler

Easily provide your instructors with today's most modern power and data amenities with this special Console Insert for Heckler Lectern.

Features

Support for integrated wireless phone charger. Requires an Apple MagSafe Charger.

Positions your courtesy IO with ADA-Compliance.

Apple MagSafe Charger, keystone adapters, and cables not included.

Four keystone positions enable you to offer the ports your instructors need, such as USB-A, USB-C, USB-C PD, HDMI, and more.

Four cable pass-thru ports give you a clean and simple way to bring HDMI, USB-C, keyboard, and mouse cables to the desktop.

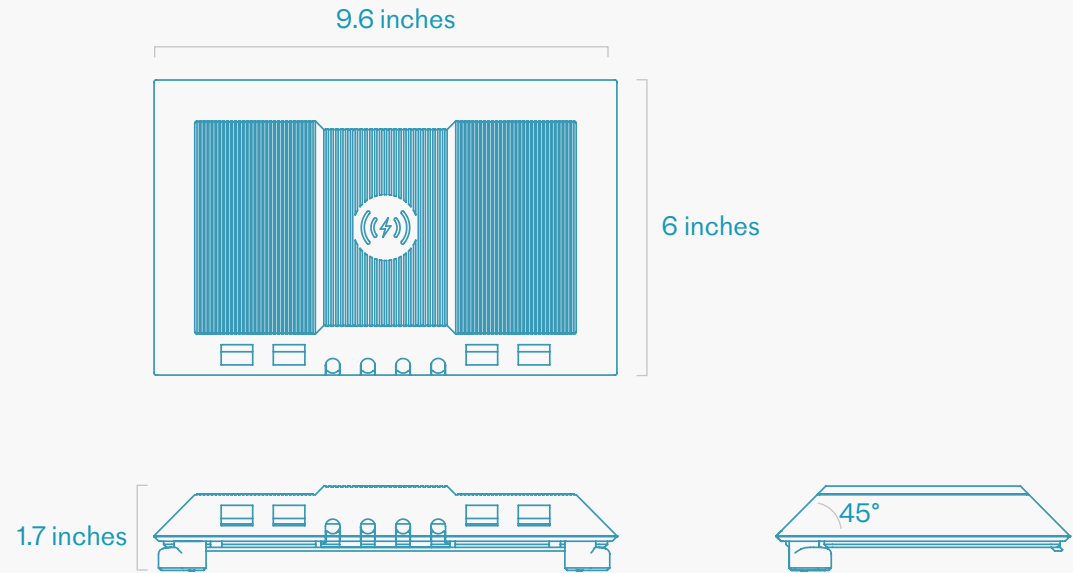
This product can be installed quickly and securely into the console of a Heckler Lectern, with no tools required.



Heckler

Specifications

SKU	H914
Product Dimension	9.6 x 6 x 1.7 inches (244 x 152 x 38 mm)
Product Weight	1.5 lbs (0.7 kg)
Shipping Dimension	10 x 7 x 3 inches (254 x 178 x 76 mm)
Shipping Weight	2 lbs (0.9 kg)
Warranty	2 years
Country of Origin	US
Material	PLA
In the Box	Console Insert for Courtesy IO



For more information, contact
Heckler or your favorite Heckler
Authorized Dealer.

hecklerdesign.com
sales@hecklerdesign.com
(844) 432-5930

Heckler

Future Ready

Console Insert Cover
H915

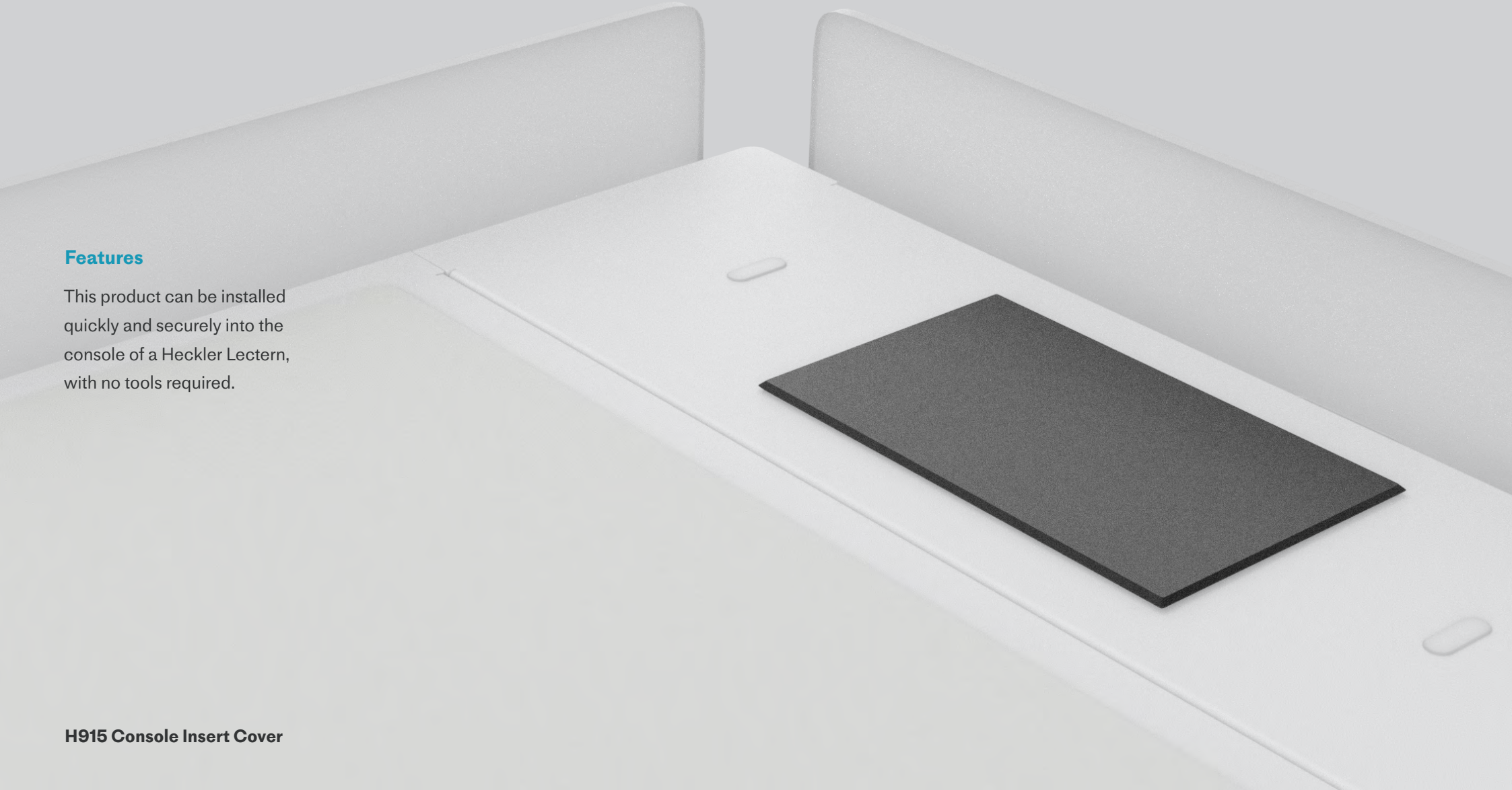


Heckler

Cover your unused Console Insert locations with this convenient cover.

Features

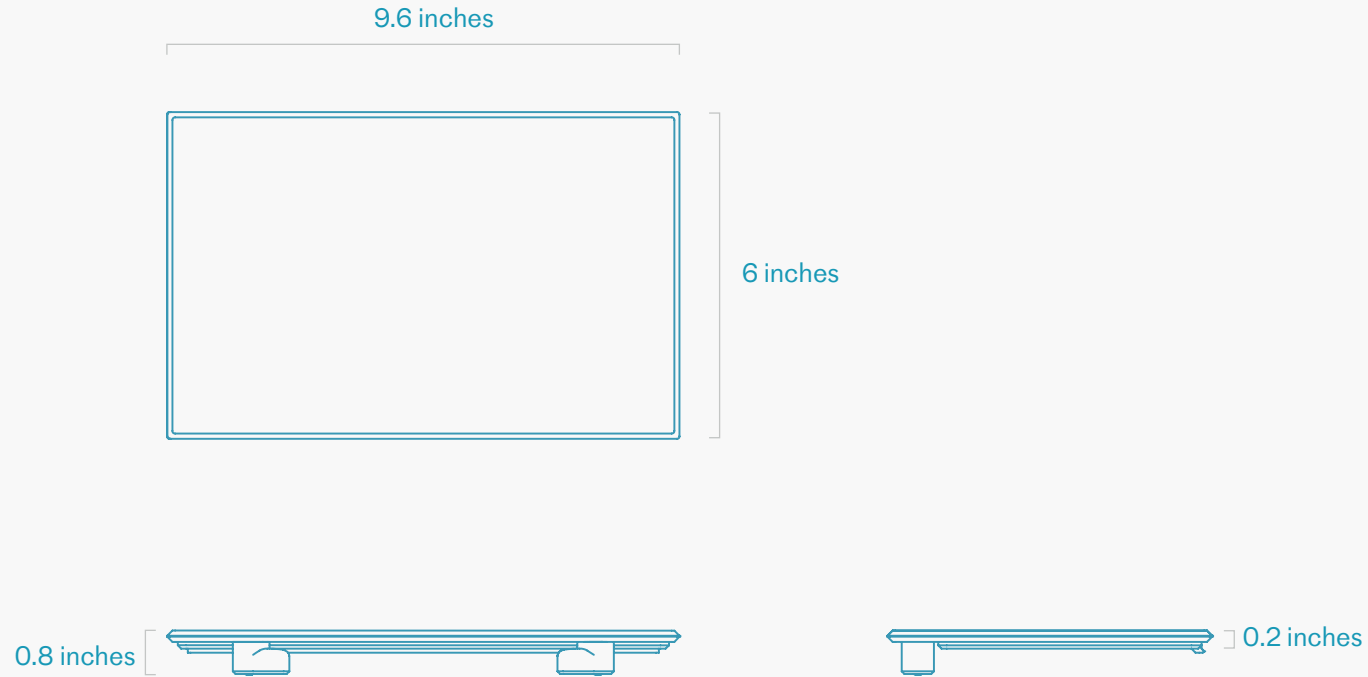
This product can be installed quickly and securely into the console of a Heckler Lectern, with no tools required.



Heckler

Specifications

SKU	H915
Product Dimension	9.6 x 6 x 0.8 inches (244 x 152 x 20 mm)
Product Weight	0.5 lbs (0.2 kg)
Shipping Dimension	10 x 7 x 3 inches (254 x 178 x 76 mm)
Shipping Weight	1lbs (0.5 kg)
Warranty	2 years
Country of Origin	US
Material	PLA
In the Box	Console Insert Cover



For more information, contact
Heckler or your favorite Heckler
Authorized Dealer.

hecklerdesign.com
sales@hecklerdesign.com
(844) 432-5930

Heckler

Docked and Loaded



Console Insert
for Shure SBC 200
H916

Heckler

With this Heckler Lectern Console Insert, you can seamlessly and conveniently integrate Shure's Networked Docking Charger into your Heckler Lectern.

Features

Compatible with Shure SBC 200 Charging Station.

The charger is positioned flush with the Lectern desktop for a sleek and integrated look.

This product can be installed quickly and securely into the console of a Heckler Lectern, with no tools required.

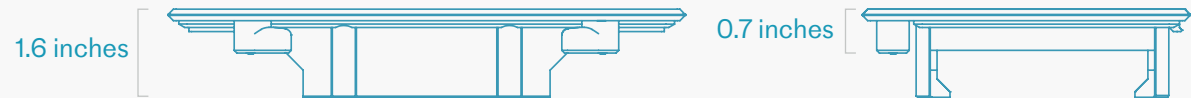
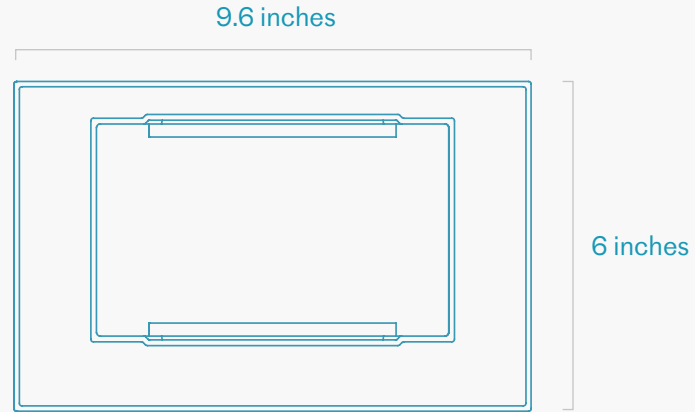
H916 Console Insert for Shure SBC 200



Heckler

Specifications

SKU	H916
Product Dimension	9.6 x 6 x 1.6 inches (244 x 152 x 41 mm)
Product Weight	1 lbs (0.5 kg)
Shipping Dimension	10 x 7 x 3 inches (254 x 178 x 76 mm)
Shipping Weight	1.5 lbs (0.7 kg)
Warranty	2 years
Country of Origin	US
Material	PLA
In the Box	Console Insert for Shure SBC 200



For more information, contact
Heckler or your favorite Heckler
Authorized Dealer.

hecklerdesign.com
sales@hecklerdesign.com
(844) 432-5930

Heckler

Touch Screen At Hand



**Console Insert
for Crestron Swivel Mount Kit
H917**

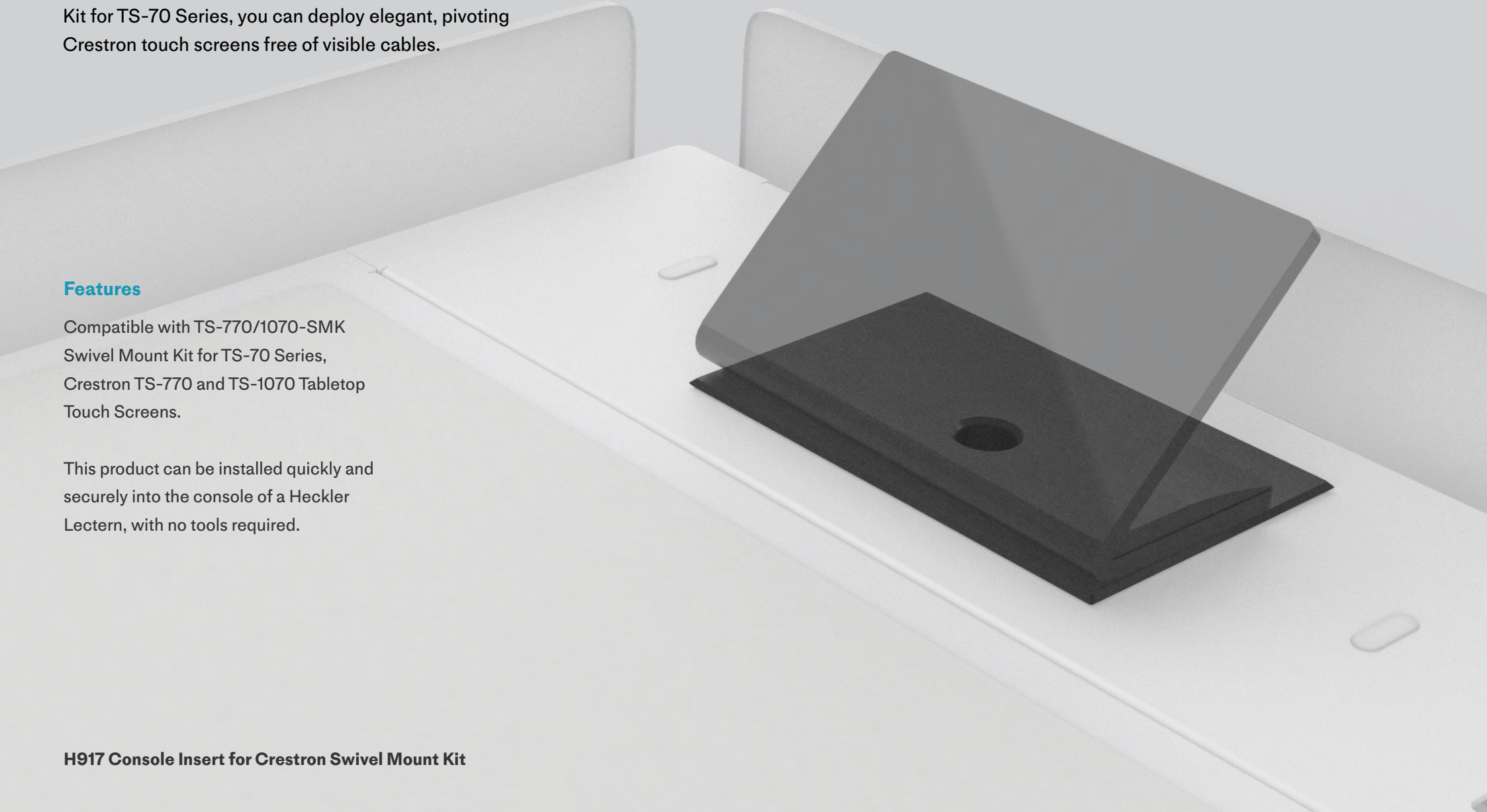
Heckler

Using this Console Insert with the Crestron Swivel Mount Kit for TS-70 Series, you can deploy elegant, pivoting Crestron touch screens free of visible cables.

Features

Compatible with TS-770/1070-SMK Swivel Mount Kit for TS-70 Series, Crestron TS-770 and TS-1070 Tabletop Touch Screens.

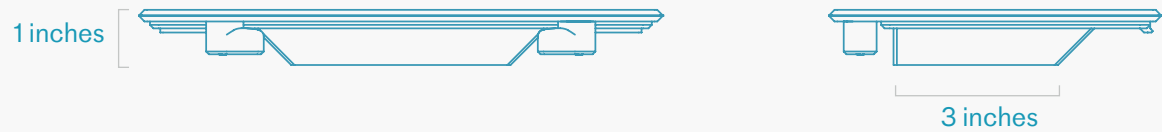
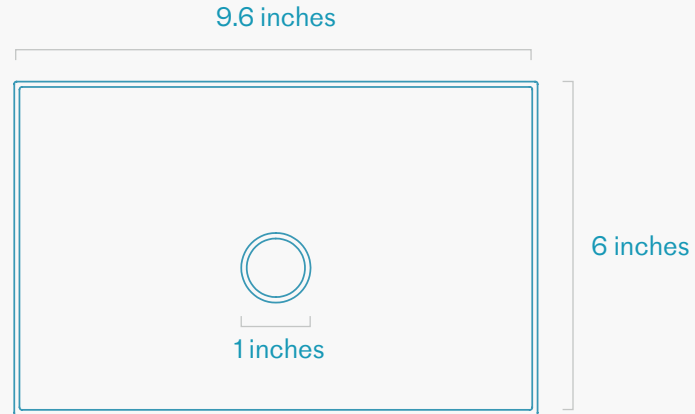
This product can be installed quickly and securely into the console of a Heckler Lectern, with no tools required.



Heckler

Specifications

SKU	H917
Product Dimension	9.6 x 6 x 1 inches (244 x 152 x 25 mm)
Product Weight	1 lbs (0.5 kg)
Shipping Dimension	10 x 7 x 3 inches (254 x 178 x 76 mm)
Shipping Weight	1.5 lbs (0.7 kg)
Warranty	2 years
Country of Origin	US
Material	PLA
In the Box	Console Insert for Crestron Swivel Mount Kit Assembly Hardware



For more information, contact
Heckler or your favorite Heckler
Authorized Dealer.

hecklerdesign.com
sales@hecklerdesign.com
(844) 432-5930

Heckler

Neat Pad At the Ready



Console Insert
for Neat Pad
H918

Heckler

Easily and professionally deploy a Neat Pad to control your video meeting system and room controls with this Console Insert for Heckler Lectern.

Features

Compatible with Neat Pad.

Hides cabling within the Lectern.

Leaves Neat Pad's speakers unblocked and functional.

This product can be installed quickly and securely into the console of a Heckler Lectern.

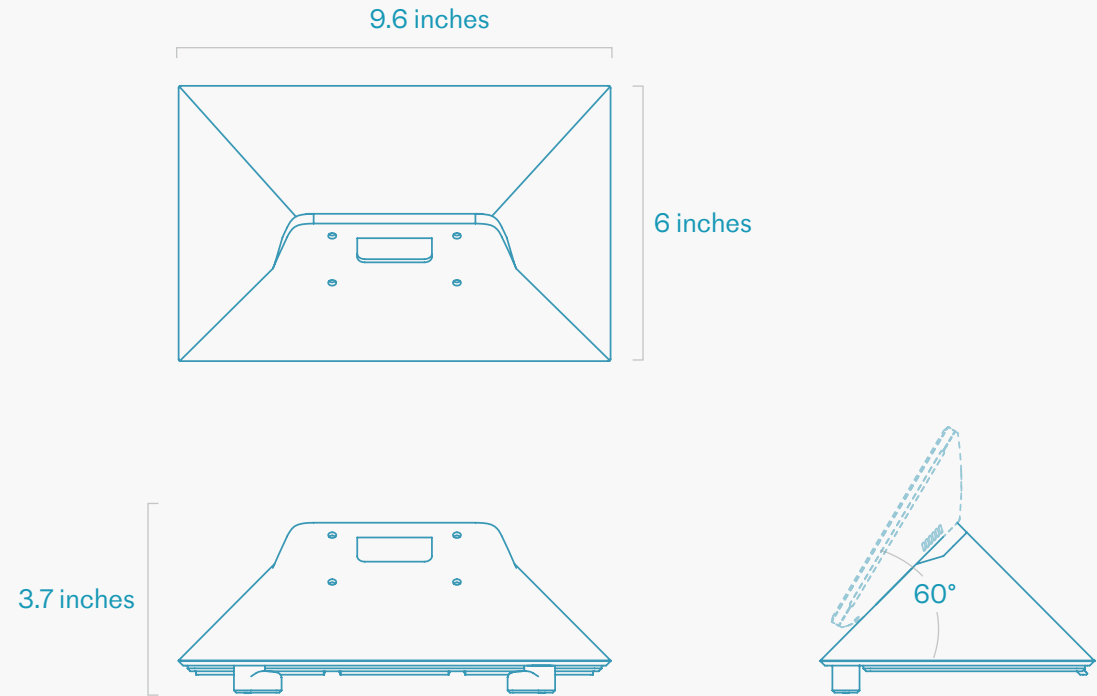
H918 Console Insert for Neat Pad



Heckler

Specifications

SKU	H918
Product Dimension	9.6 x 6 x 3.7 inches (244 x 152 x 102 mm)
Product Weight	1.5 lbs (0.7 kg)
Shipping Dimension	12 x 6 x 6 inches (305 x 152 x 152 mm)
Shipping Weight	2 lbs (0.9 kg)
Warranty	2 years
Country of Origin	US
Material	PLA
In the Box	Console Insert for Neat Pad



For more information, contact
Heckler or your favorite Heckler
Authorized Dealer.

hecklerdesign.com
sales@hecklerdesign.com
(844) 432-5930

Heckler

Dock,
Dock,
Gooseneck!

**Console Insert
for Shure SBC 220 or 240 and A400SM
H919**



Heckler

Utilize a single Console Insert location to create a mounting location for a Shure gooseneck mic and a networked docking station.

Features

Compatible with select Shure MX-Series Gooseneck Microphones when used with the Shure A400SM Shock Mount

Compatible with Shure SBC 220 or SBC 240 Networked Docking Station.

Installs quickly and securely into the console of a Heckler Lectern.

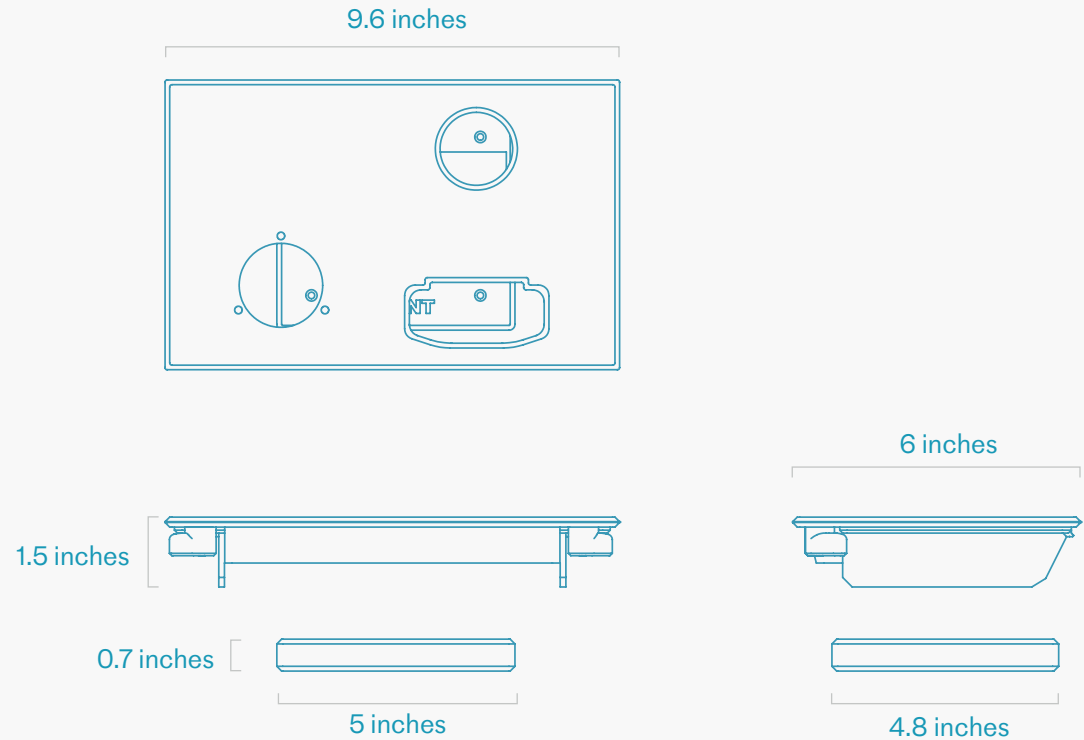
H919 Console Insert for Shure SBC 220 or SBC 240 and A400SM



Heckler

Specifications

SKU	H919
Trim Plate Dimension	9.6 x 6 x 1.5 inches (244 x 152 x 38 mm)
Base Plate Dimension	5 x 4.8 x 0.7 inches (244 x 152 x 18 mm)
Product Weight	1.5 lbs (0.7 kg)
Shipping Dimension	10 x 7 x 3 inches (254 x 178 x 76 mm)
Shipping Weight	2 lbs (0.9 kg)
Warranty	2 years
Country of Origin	US
Material	PLA
In the Box	Console Insert for Shure SBC 220 or SBC 240 and A400SM Installation Hardware *Recommended gooseneck size is 18" minimum."



For more information, contact
Heckler or your favorite Heckler
Authorized Dealer.

hecklerdesign.com
sales@hecklerdesign.com
(844) 432-5930

Heckler

It's

A

Bag Hook



Bag Hook
for Heckler Lectern
H925

Heckler

Maximize desktop space and provide comfort and convenience for your instructors by mounting this bag hook to the side of your Heckler Lecterns.

Features

Easily supports heavy computer bags, purses, coats, or assistive canes.

Keeps work surface free of clutter.

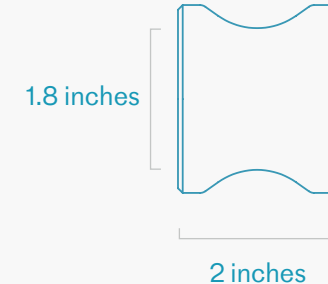
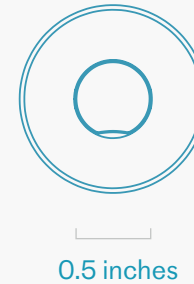
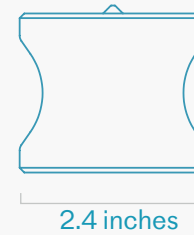
Can be mounted to the left or right side of the lectern.



Heckler

Specifications

SKU	H925
Product Dimension	2.4 x 2.4 x 2 inches (60 x 60 x 51 mm)
Product Weight	1 lbs (0.5 kg)
Shipping Dimension	3 x 3 x 5 inches (25 x 25 x 127 mm)
Shipping Weight	1.5 lbs (0.7 kg)
Warranty	2 years
Country of Origin	US
Maximum Weight Load	25lbs (11kg)
Material	PLA
In the Box	Bag Hook Assembly Hardware



For more information, contact
Heckler or your favorite Heckler
Authorized Dealer.

hecklerdesign.com
sales@hecklerdesign.com
(844) 432-5930

Heckler

Teach

Sip

Inspire



Cup Holder
for Heckler Lectern
H926

Heckler

Provide instructors with a safe and convenient home for their drink with this robust cup holder accessory.

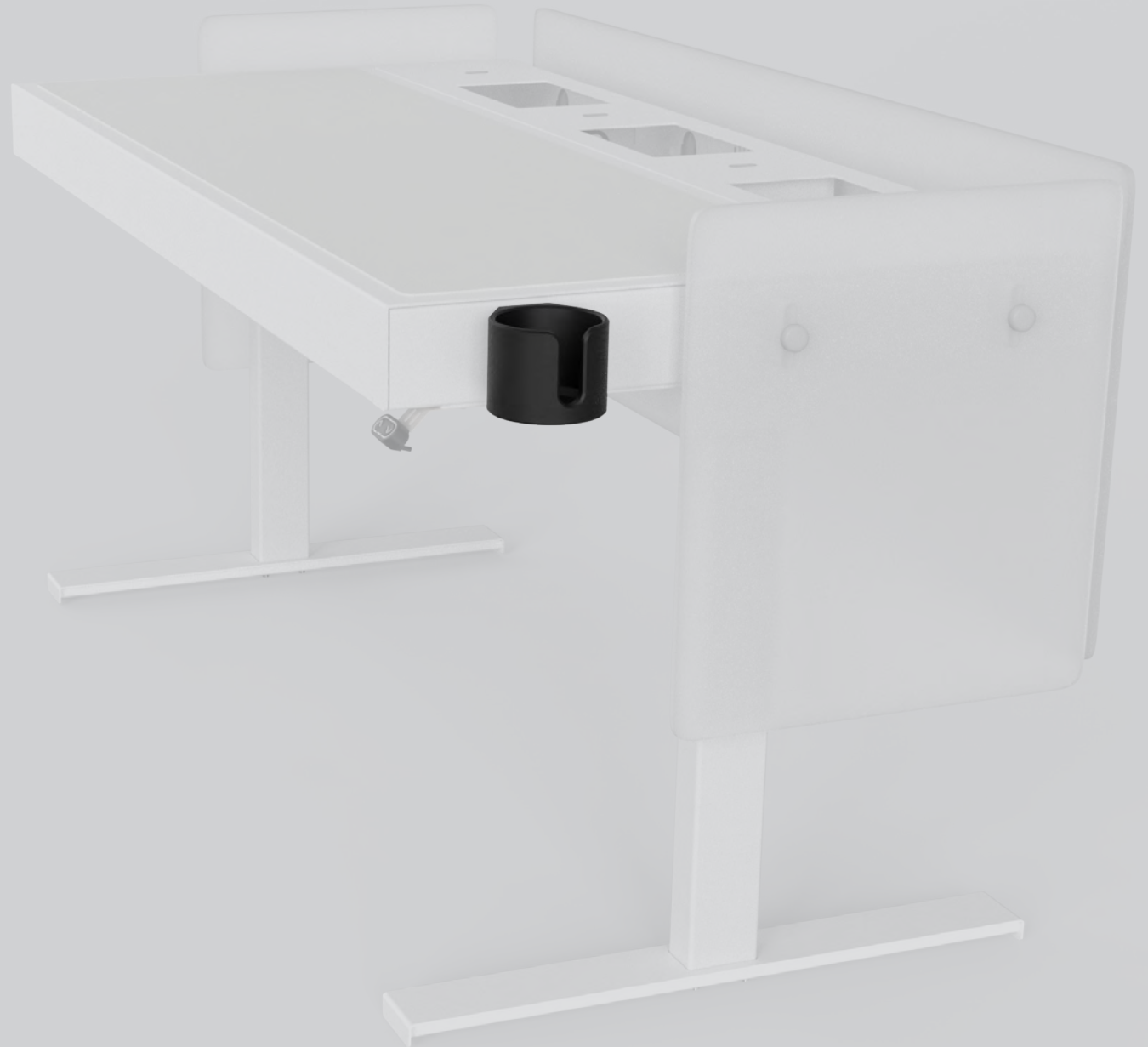
Features

Broadly compatible with coffee cups, tumblers, and water bottles.

Heat resistant.

Easily wiped clean.

Can be mounted to the left or right side of the lectern.

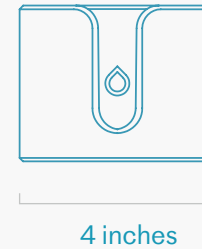
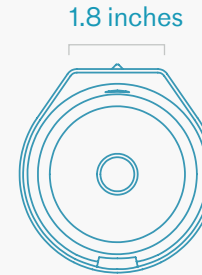


H926 Cup Holder for Heckler Lectern

Heckler

Specifications

SKU	H926
Product Dimension	4 x 4.5 x 3 inches (102 x 114 x 76 mm)
Product Weight	1 lbs (0.5 kg)
Shipping Dimension	5 x 5 x 5 inches (127 x 127 x 127 mm)
Shipping Weight	1.5 lbs (0.7 kg)
Warranty	2 years
Country of Origin	US
Largest Cup Diameter	3 inches (76 mm)
Material	PLA
In the Box	Cup Holder Installation Hardware



For more information, contact
Heckler or your favorite Heckler
Authorized Dealer.

hecklerdesign.com
sales@hecklerdesign.com
(844) 432-5930