

# ADA CAMERA MOUNT

for Logitech BRIO



## ADA Camera Mount for Logitech BRIO

Quickly deploy Logitech BRIO cameras with ADA compliance in huddle rooms throughout the enterprise.

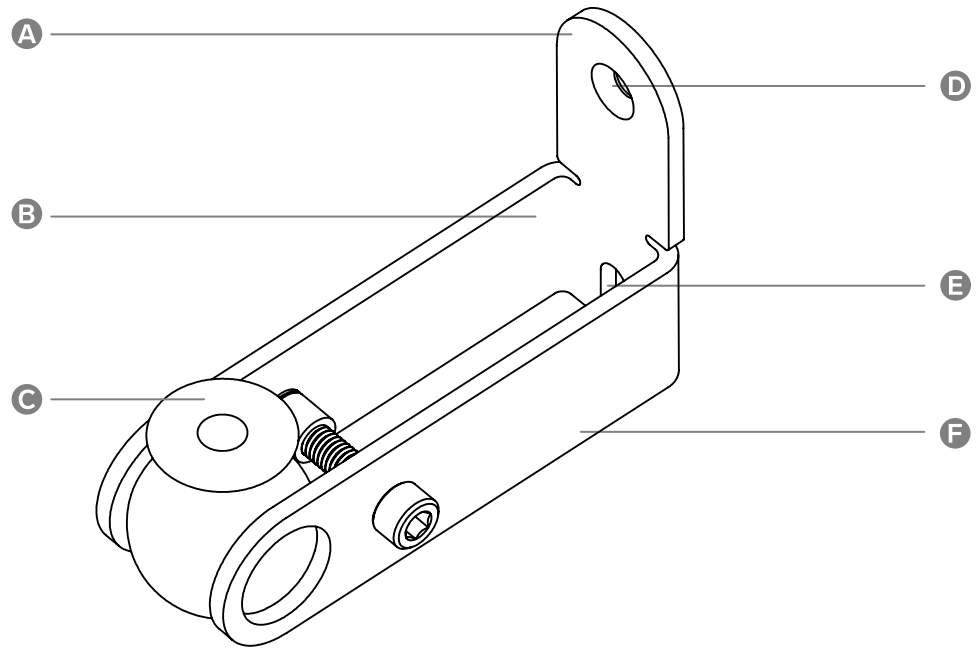
# ADA CAMERA MOUNT

H587

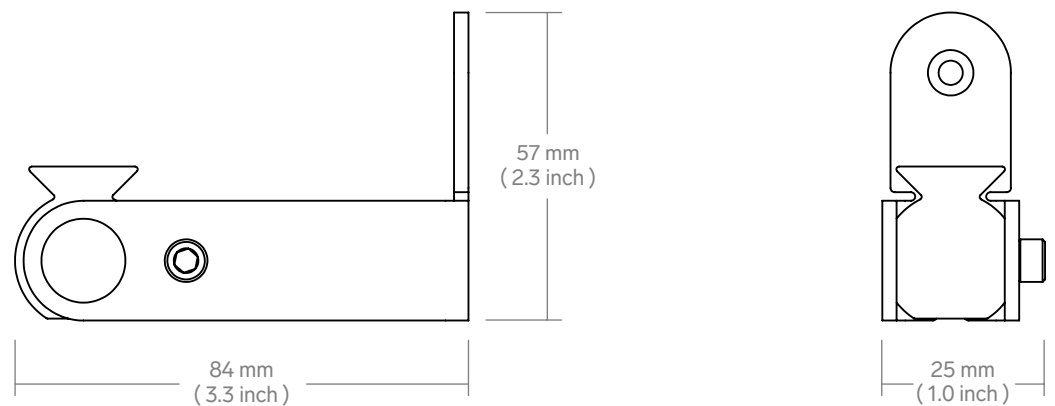
for Logitech BRIO

## Features

- A Heavy steel construction
- B Scratch & fingerprint-resistant Powdercoat finish
- C Patented ball pan/tilt/roll ball joint
- D Single-screw wall mounting
- E Wall pass-through for USB-C cable
- F Pan/tilt/roll position set screw



## Dimensions



# ADA CAMERA MOUNT

H587

for Logitech BRIO

---

## Specifications

<b>Price</b>	\$69
<b>SKU</b>	H587
<b>Height</b>	2.3 inches
<b>Width</b>	1.0 inches
<b>Depth</b>	3.3 inches
<b>Weight</b>	0.3 lbs
<b>Warranty</b>	2 years

---

## Colors

<b>Name</b>	<b>SKU</b>
Black Grey	H587-BG

---

## Compatible Devices

Logitech BRIO

---

## In the Box

ADA Camera Mount  
Assembly tools  
Drywall anchor

---

## Accessories

H523 - Zoom Rooms Console for iPad  
H529 - Zoom Rooms Console for iPad mini  
H526 - Multi Mount for iPad  
H527 - Multi Mount for iPad mini