

H543 - AV Credenza 6U

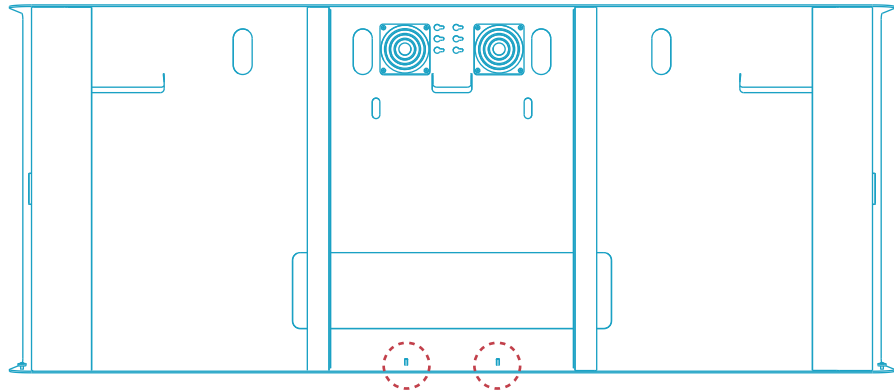
Beautifully executed video conferencing.

To reduce the risk of severe injury or death to persons, review these installation safety steps before proceeding:

1. Read all installation instructions for AV Credenza and AV Credenza accessories before beginning any installation.
2. When supporting one or more displays using H544 Support Kit for AV Credenza, always install the legs. Failure to support the weight of one or more displays to the ground may result in injury.
3. Always use H570 Dual Display Kit for AV Credenza in combination with the display supports and legs of H544 Support Kit. Failure to support the weight of one or more displays to the ground may result in injury.
4. Anchor the AV Credenza to the wall for all installations.
5. Use the wood cleat provided for all installations.
6. Heavy duty SNAPTOGGLE brand wall anchors and 3/8" diameter screws are provided for your convenience. While these wall anchors and screws are suitable for many drywall and steel stud installations, a professional should determine the best anchoring hardware and method for each specific installation.
7. If you discover a defect, please contact service@hecklerdesign.com.

CAUTION: Shock Hazard

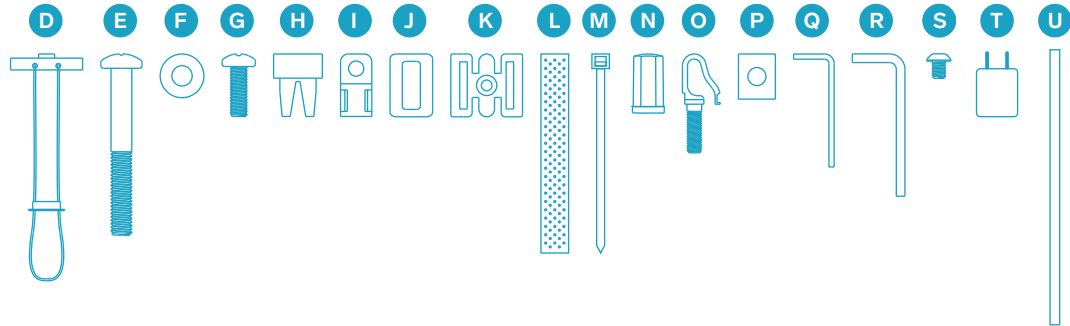
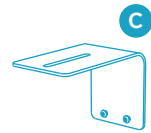
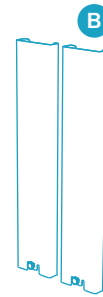
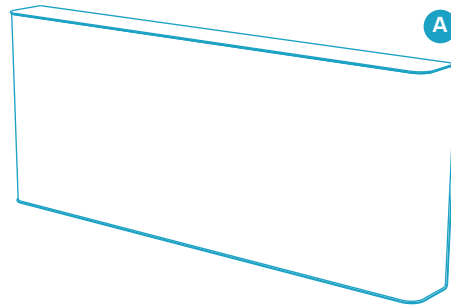
AV Credenza is an aluminum enclosure and therefore is electrically conductive. Like all metal enclosures AV Credenza should be grounded by a professional to reduce the risk of shock due to static electricity or electrical shorts. AV Credenza features two ground lug locations for this purpose. Bonding AV Credenza to a grounded PDU via these grounding lugs is recommended.



grounding lug locations

IN THE BOX

- A** 1x AV Credenza 6U Body
- B** 2x Cable Chase
- C** 1x Camera Mount
- D** 4x SNAPTOGGLE Wall Anchors
- E** 4x Screw, 3/8", 3" Long
- F** 4x Washer
- G** 20x Screw, M4, 12mm Long
- H** 20x Grommet Nut
- I** 8x Cable Tie Anchor
- J** 6x Velcro Strap Buckle
- K** 12x Velcro Strap Anchor
- L** 6x Velcro Strap
- M** 8x Cable Tie
- N** 24x Rackstuds™ Cap
- O** 24x Rackstuds™ Post
- P** 24x Rackstuds™ Washer
- Q** 1x Hex Key, 3/32"
- R** 1x Hex Key, 5/32"
- S** 1x Screw, 1/4"-20, 5/16" Long
- T** 1x Fan Power Adapter
- U** 3x Tie-down Strap



TOOLS NEEDED



Level



Tape Measure



Power Drill



Pen



Stud Finder



3/4" Spade
Drill Bit



Step
Drill Bit

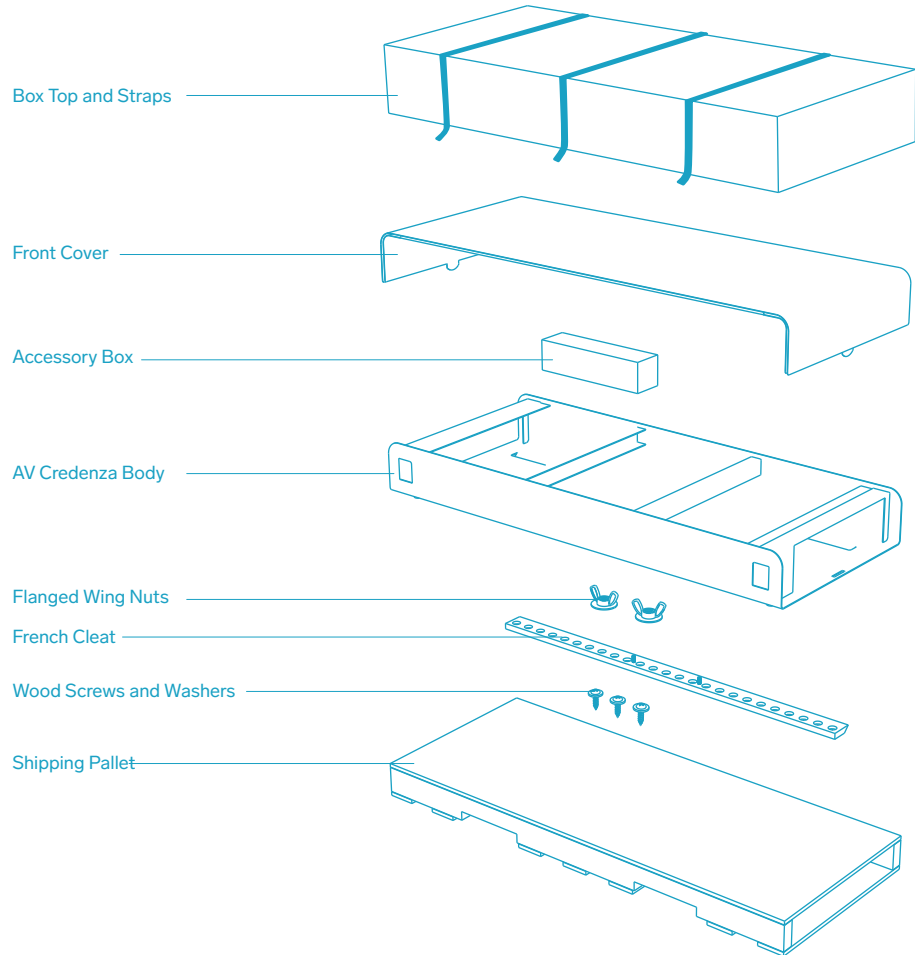
STEP 1

Unpack.



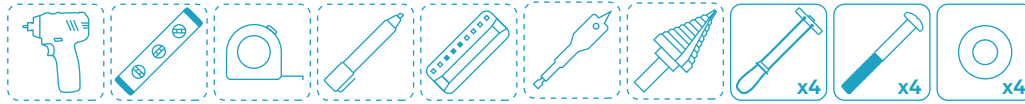
Important Notes:

- Two people should be involved in all unpacking and installation steps.
- AV Credenza's packaging is reusable.
- Unfasten the strap buckles and use them with tie-down straps included in the accessory box for subsequent shipments and relocations.
- Do not discard the French cleat. Your French cleat arrives fastened to the shipping pallet. Remove the French cleat from the shipping pallet and use the cleat for your installation.
- Handle the front cover with clean hands or gloves to prevent soiling the fabric wrap.



STEP 2

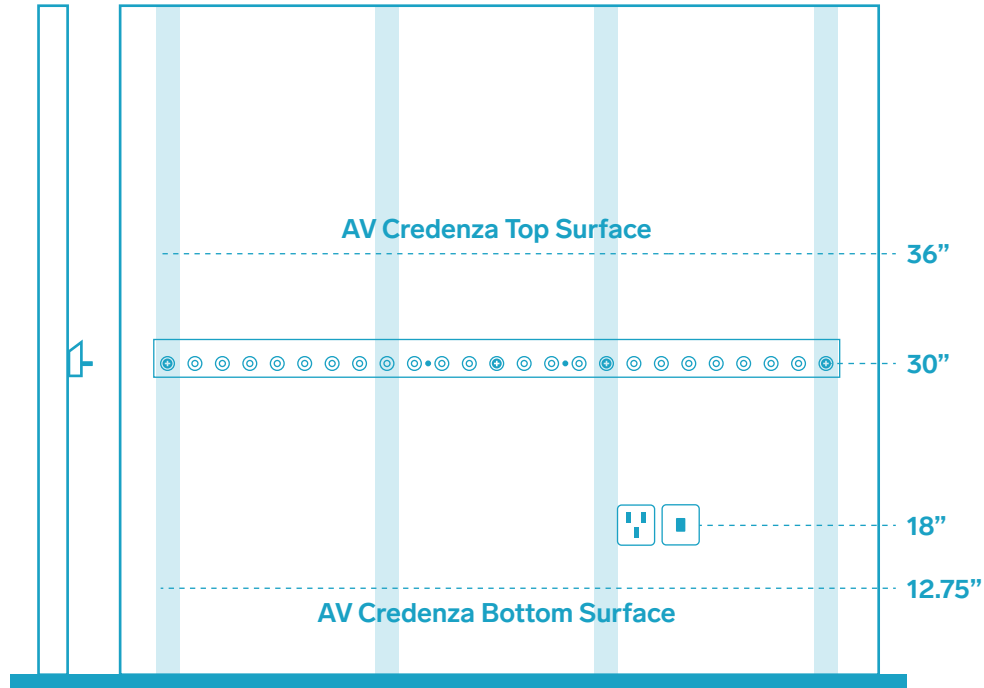
Install the French cleat.



Important Notes:

The following steps should be performed by a professional. Heavy-duty SNAPTOGGLE anchors, screws, and washers are provided for your convenience. A professional should determine if these fasteners are appropriate for your specific installation.

1. Mark the center of the AV Credenza installation location, 30" above the finished floor.
2. Mark your wall stud positions along the length of the cleat, 30" above the finished floor. For safety, we recommend you position the cleat to the wall so that two screws fasten to wall studs. The SNAPTOGGLE anchors provided are compatible with most steel wall studs.
3. Starting at the center of the cleat, drill and install the first wall anchor (as shown on the next page).
4. Fasten the cleat to the wall at this center position.
5. Use a level, then mark three additional mounting points using the cleat as your hole template.
6. Install three additional wall anchors and fasten the cleat to those positions.

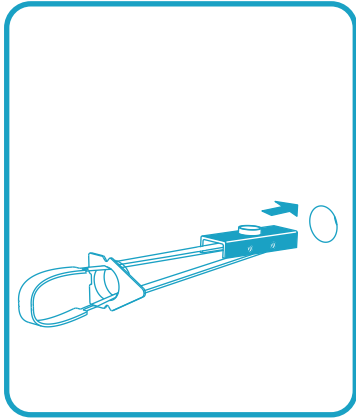


How to install the SNAPTOGGLE wall anchors.

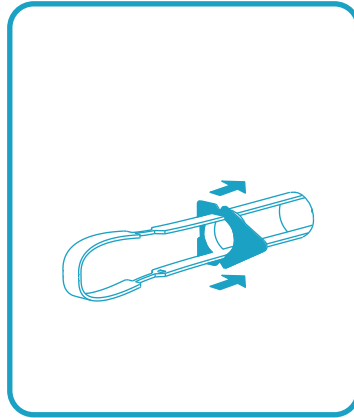
Important note:

SNAPTOGGLE anchors are compatible for use with steel wall studs.

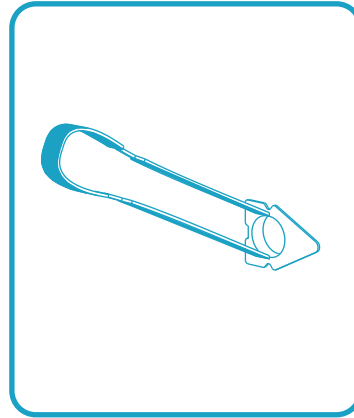
For more information go to Toggler.com.



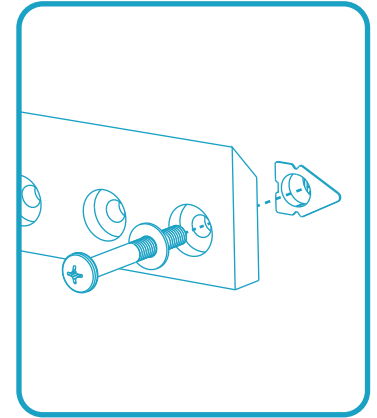
- 1** Drill a 3/4" hole. Hold metal channel flat alongside plastic straps, and slide channel through the hole. Minimum clearance behind wall: only 1/8".



- 2** Hold ends of straps together between thumb & forefinger and pull toward you until channel rests behind wall. Ratchet cap along straps with other hand until flange of cap is flush with wall.



- 3** Place thumb between straps at wall. Push thumb side to side, snapping off straps level with flange of cap.



- 4** Place the French cleat over flange. Insert 3/8", 3" long screws and washers, and tighten until snug against the French cleat, then stop.

STEP 3 (Optional)

Install 19" rack components.

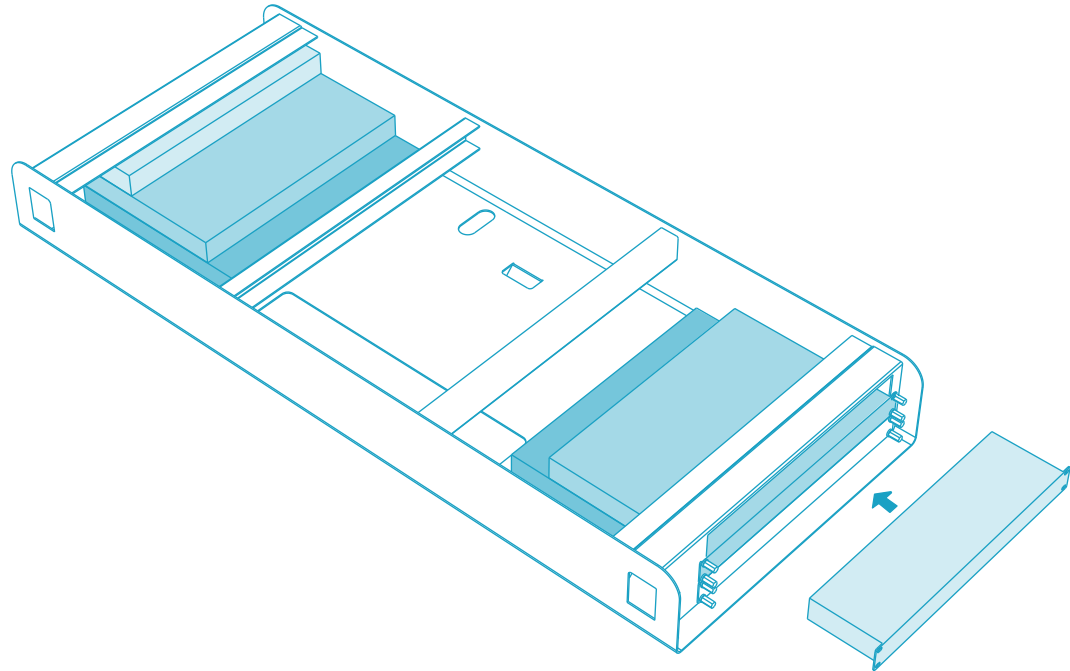


If desired, you can install your rack components before wall installation.

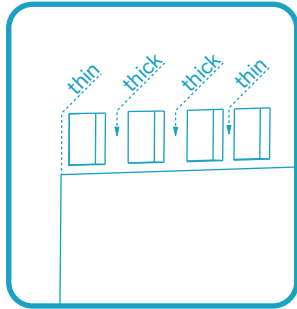
1. Place AV Credenza on its back on a tabletop.
2. Install the provided Rackstuds™ (as shown on the next page).
3. Slide components in place and fasten.

Tip: To ease cable access and management, install the largest components nearest the back wall of AV Credenza.

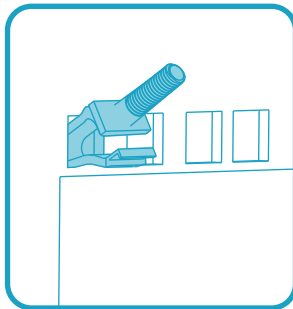
Rackstuds™ are provided for your convenience. AV Credenza is compatible with any conventional cage nut compatible with standard 19" rack. A professional should decide on the suitable installation hardware for your installation.



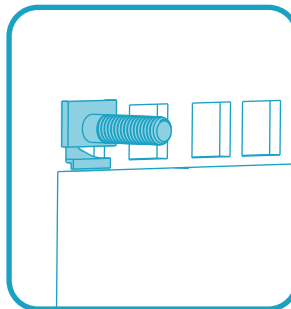
How To Install and Remove Rackstuds™



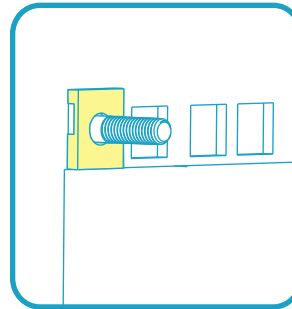
1. Ensure you locate the first Rackstuds™ at the beginning of the "RU" space indicated by the thin section besides the hole. More info here http://en.wikipedia.org/wiki/Rack_unit



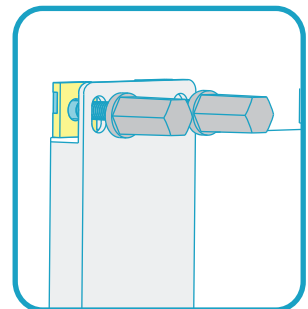
2. Insert the Rackstuds™ as shown (spring section toward the center of the rack) and at 45 degree.



3. Push the Rackstuds™ the rest of the way in so the spring clip latches on to the horizontal rail.



4. Mate the yellow washers. These must be fitted, as they create the opposing force required to lock your equipment to the rack. The washer will only go one way. If the stud was inserted correctly (the spring section toward the center of the rack), the washer will be the same.



5. Hang the 19" rack components on the first studs and apply pressure to the front face of the equipment while thumbing on the nuts(bottom ones first).

TO RELEASE: Reverse the above procedure by removing the TOP nuts first, then the bottom ones while supporting the gear.

Rackstuds™ are NOT suitable for use in applications where the rack requires transportation when populated. The maximum equipment weight is 20kg (44lbs). By purchasing and using Rackstuds™ you agree, to the maximum extent permitted by law, that no party (including Rack Studs Limited) will have any liability to you whatsoever for any loss or damages (including any direct loss, loss of profit or anticipated profit, loss of revenue, loss of production, loss of goodwill or reputation, loss of use, loss of opportunity, loss of business, failure to realize anticipated savings, loss of any business opportunity and any other direct, indirect, special or consequential loss) resulting from the use or failure of Rackstuds™ or otherwise in respect of Rackstuds™ whether arising under contract, in tort, from breach of statutory duty or indemnity, or otherwise at law. Rack Studs Limited provides a very specific warranty (further detailed at rackstuds.com/certification) and to the maximum extent permitted excludes all other warranties (whether express or implied) and all or any liability. If you do not agree to these terms please immediately return Rackstuds™ product to the place of purchase for a full refund.

Do's and Don'ts

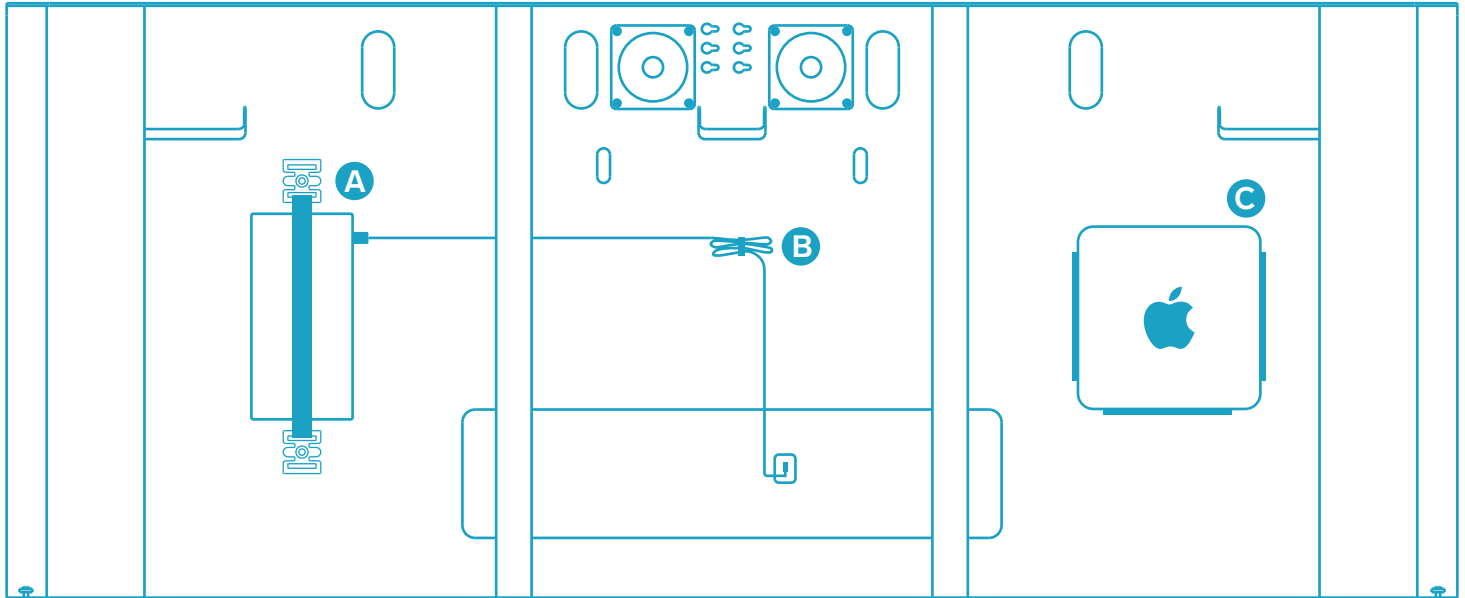
- DO insert the Rackstuds™ as the spring section toward the center of the rack.
- DO use the washer. It performs an important function.
- DO remove the TOP nuts first then support your gear when removing the bottom nuts.
- DON'T leave your gear hanging on the two top studs.
- DON'T transport your rack unless your equipment is supported at the rear.

STEP 4

Install small devices and organize cables.

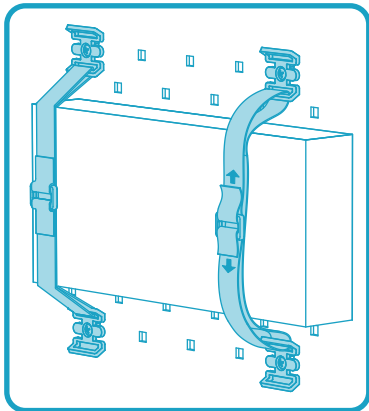
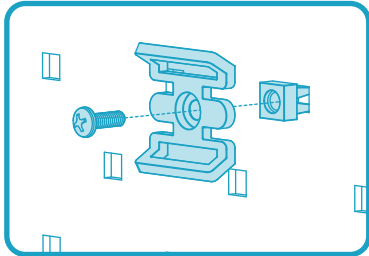


The back wall of AV Credenza features a VESA 100-compatible pattern of square holes. Use these holes, and the parts provided to mount small devices, mount VESA-compatible accessories, and route and tidy cabling.

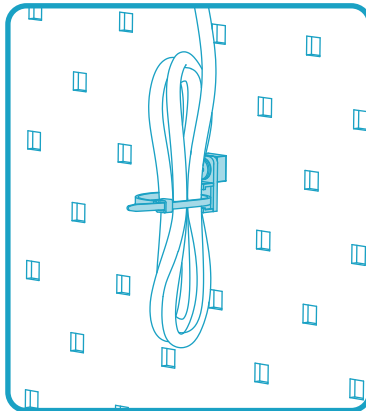
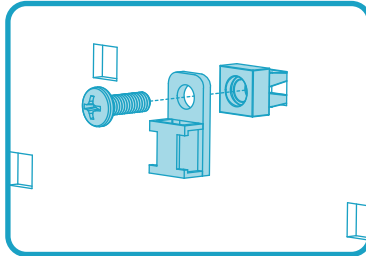


Three options to mount devices and organize cables.

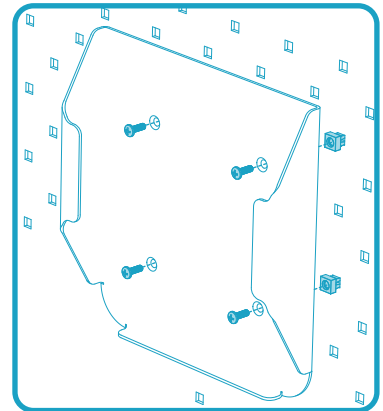
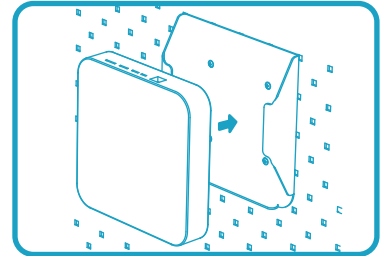
A Velcro Strap



B Cable Tie



C VESA Mount



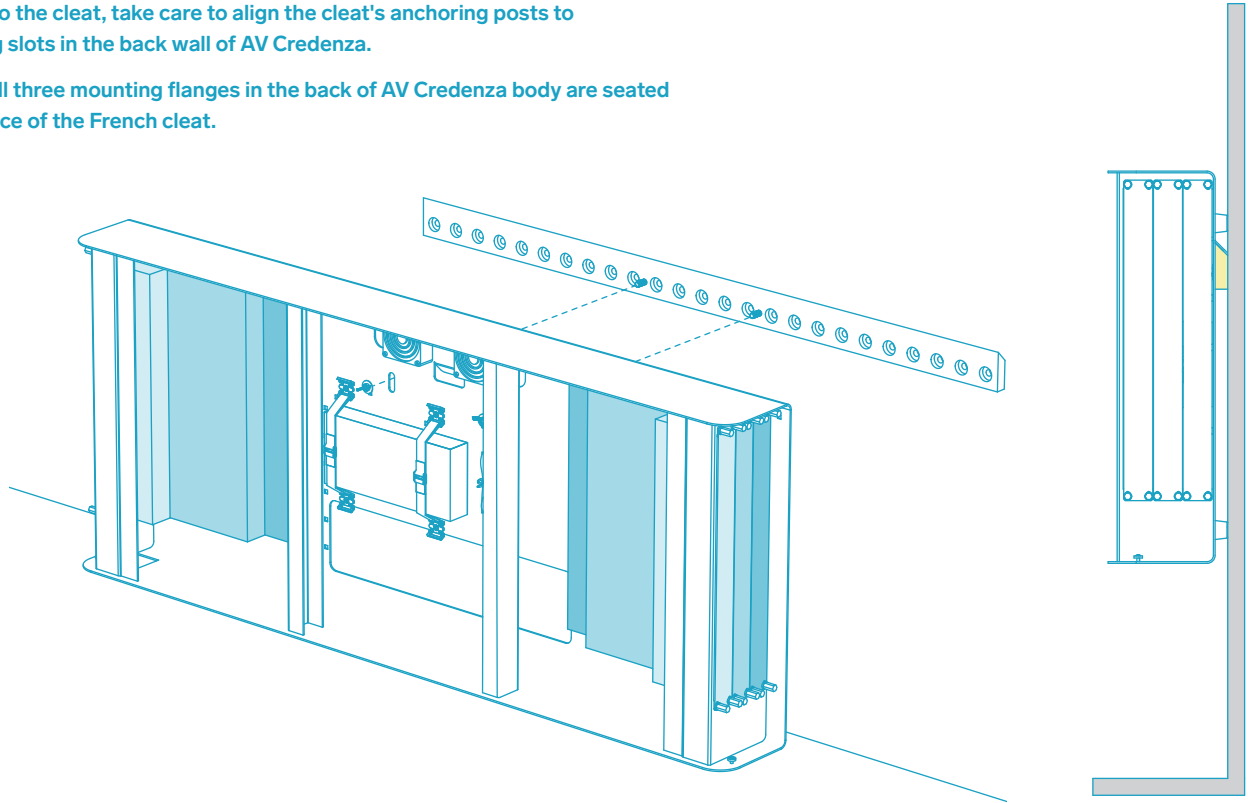
* VESA Bracket not included.

STEP 5

Hang AV Credenza body to the French cleat.

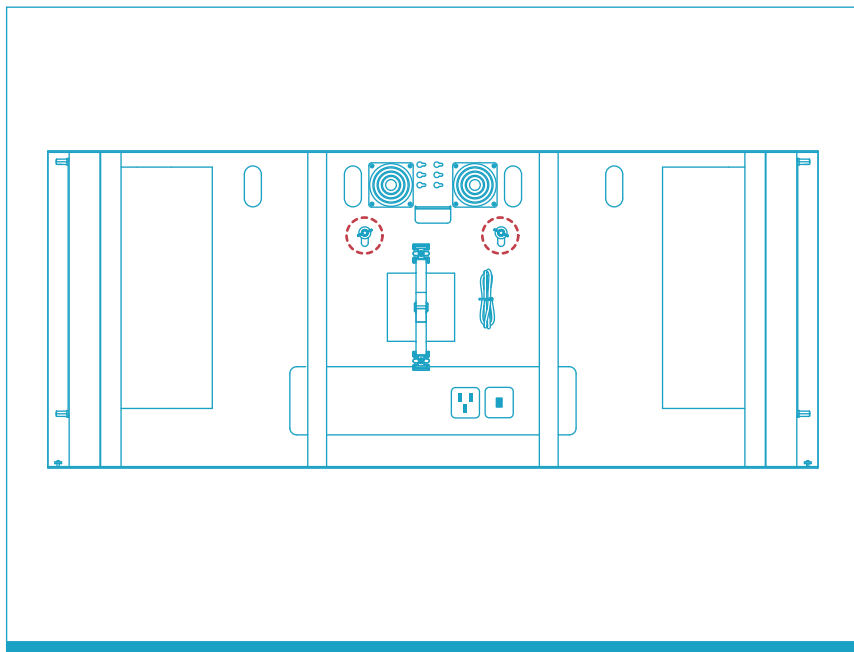
Using two people, carefully hang AV Credenza to the French cleat. As you lower the AV Credenza to the cleat, take care to align the cleat's anchoring posts to the corresponding slots in the back wall of AV Credenza.

Check to ensure all three mounting flanges in the back of AV Credenza body are seated flush on the top face of the French cleat.



STEP 6

Fasten AV Credenza to the French cleat.



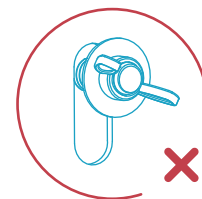
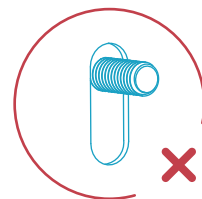
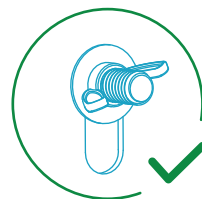
WARNING



Tip over hazard.

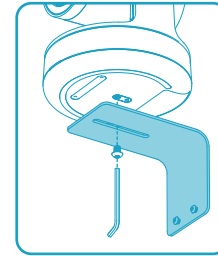
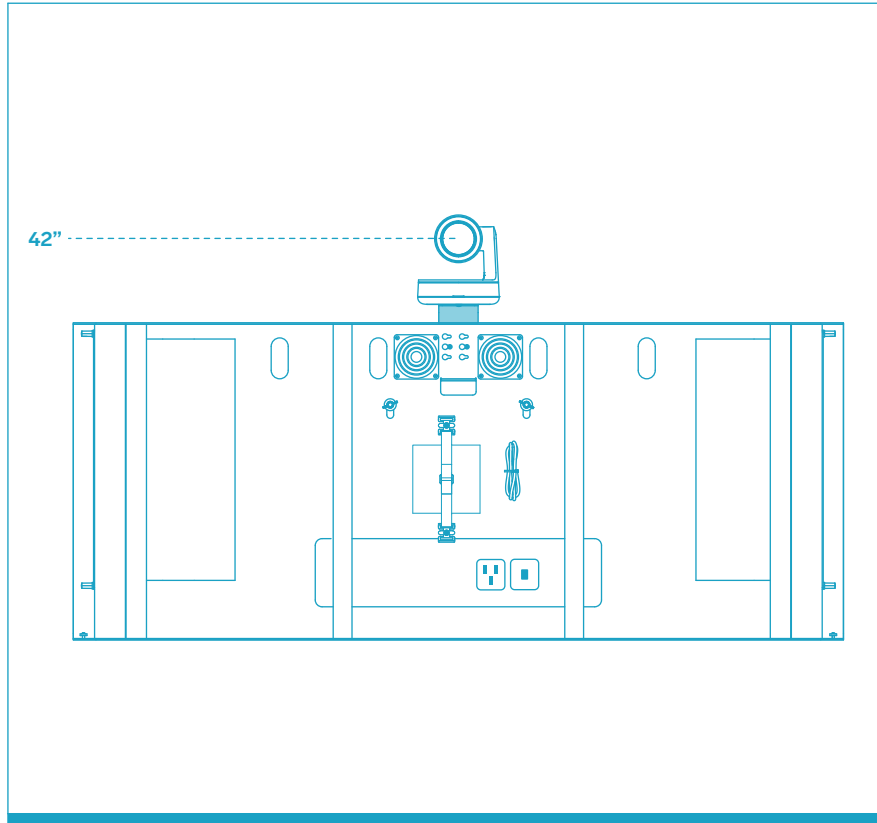
Important Safety Step:

Using the wingnuts provided, securely fasten the AV Credenza to the French cleat.



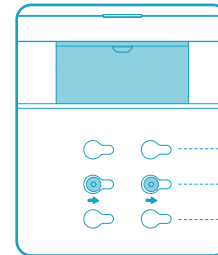
STEP 7

Install camera mount.

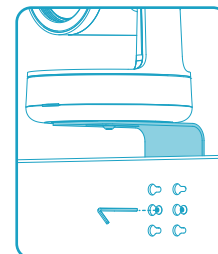


1. Fasten the camera mount to your camera using the appropriate hardware.

A 1/4"-20, 5/16" long screw is provided for your convenience but may not be compatible with your camera.



2. Select the installation position of the camera mount.

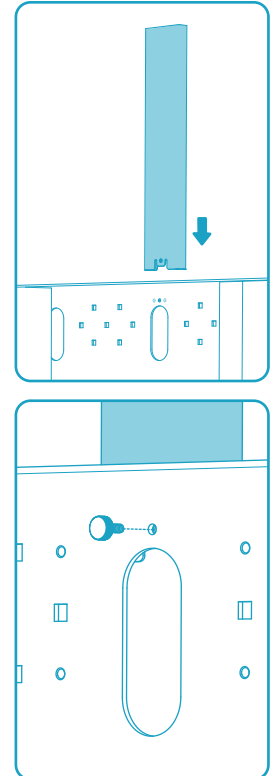
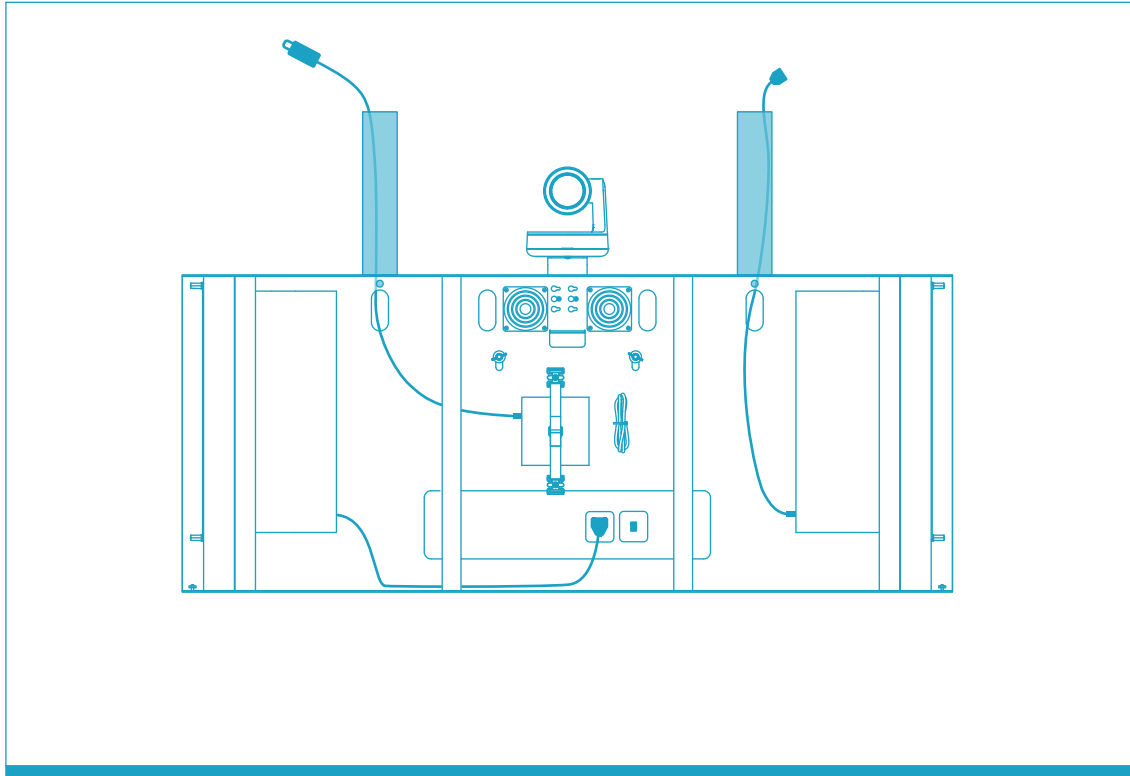


3. Fasten the mount.

STEP 8

Install the cable chase set and channel the display cables.

Tip: You may need to source long power cable and long HDMI cables to reach from the displays to the devices within AV Credenza.



STEP 9

Attach the front cover.

