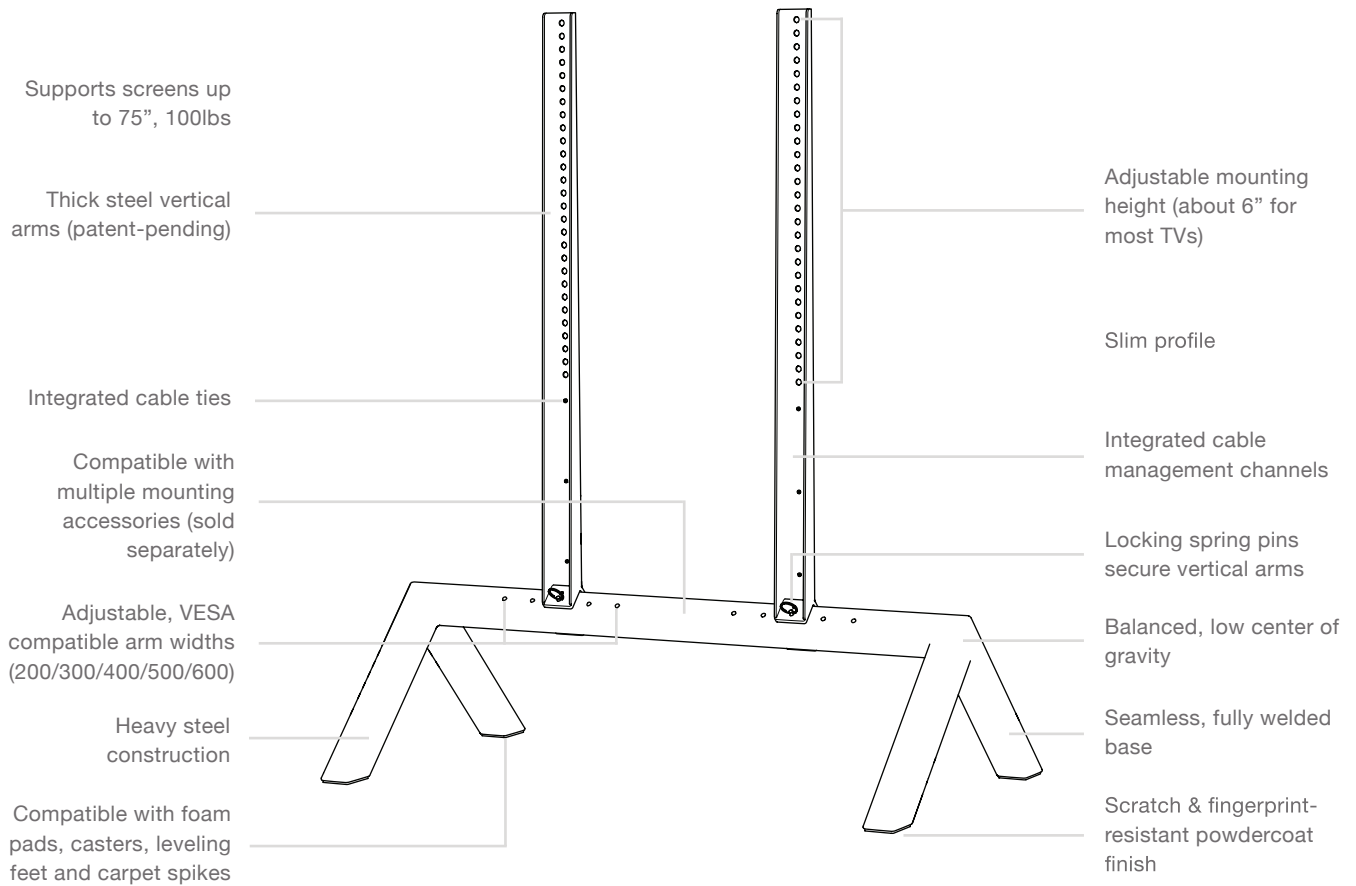


Heckler TV STAND

the Modern, Minimal, Mid-Room Media Center

Set your TV free with Heckler TV Stand. With cable boxes disappearing, television slimming to oblivion, and wireless technology becoming standard, there's no need to cage our televisions in bulky media centers or spend our evenings facing a wall. Heckler TV Stand frees your television and allows you to put a TV anywhere you can reach an outlet.





Specifications

Price	\$499	Height	46.5 inches
SKU	H479	Width	38 inches
		Depth	21.5 inches
		Weight	35 pounds

What's Included

- Heckler TV Stand Base
- Two vertical arms
- M6 & M8 mounting hardware
- Assembly instructions

Available Colors Additional and custom colors available upon request. Minimum order and additional charges will apply.



H479-BG
Black Grey
RAL 7021

H479-GW
Grey White
RAL 9002