



## HOT WATER THERMOMETER

### MODEL BRHW

#### FEATURES:

- An economical and accurate means to measure air or water temperatures
- Separable thermowell with optional sweat well
- Bimetallic element
- Dual scale (Fahrenheit & Celsius)
- Easy to install
- 1/2" NPT Connection
- 1 year warranty

#### SPECIFICATIONS:

- 2.5" dial (63mm), aluminum case
- Glass lens
- 1/2" NPT Connection
- Bi-metallic sensing element
- Recalibrator Standard
- Accuracy:  $\pm 1$



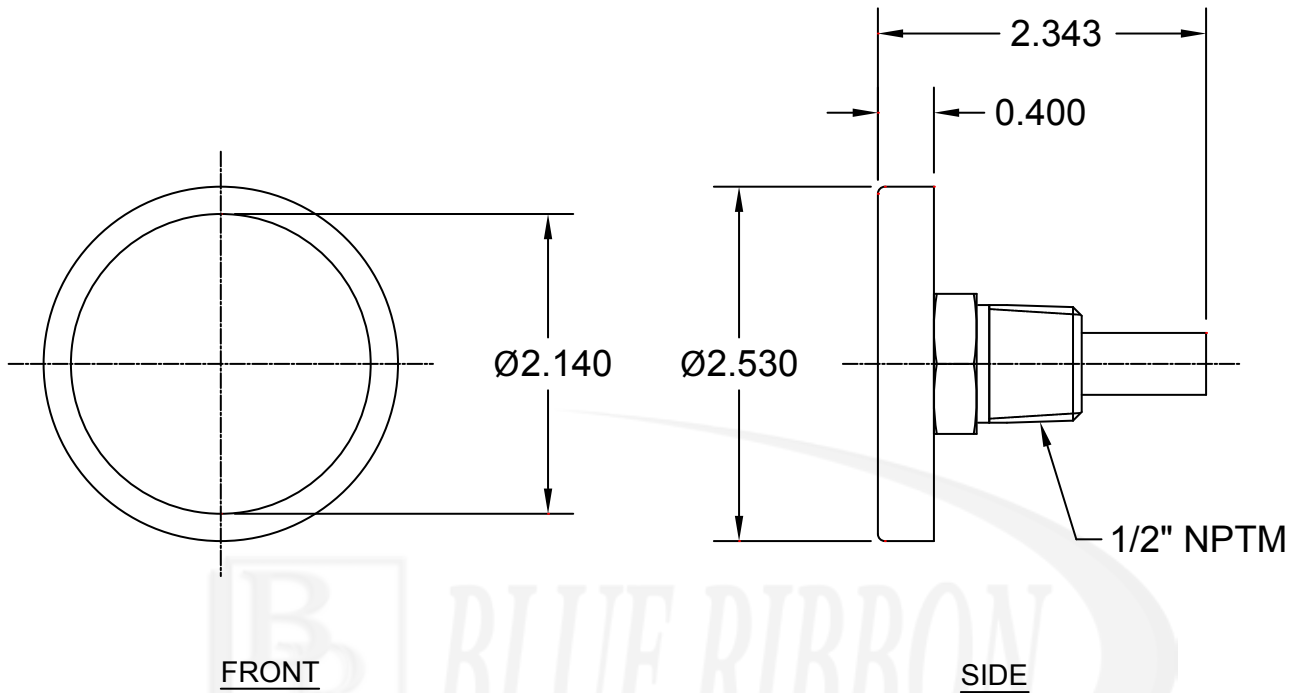
Model BRHW  
Hot Water Thermometer

Part Number	Temp. Range	Connection
BRHW	30 to 240 °F	1/2" NPT
BRHW-SW	30 to 240 °F	3/4" Sweat Well

# HOT WATER THERMOMETERS

## DIMENSIONAL DRAWING

All dimensions are in inches (mm)



**FRONT** **SIDE**  
**BLUE RIBBON**

BRHW

2.5" hot water thermometer

All specifications are for reference purposes only. In the interests of continuous product improvement, all specifications are subject to change without notice. Please contact Blue Ribbon Corporation for assistance with your application.



© 2016 Blue Ribbon Corp. | 2770 Long Rd, Grand Island, NY 14072 USA

**Toll Free:** +1.877.774.4751 **Tel:** +1.716.773.9300 **Fax:** +1.716.773.5019 **Email:** BRsales@blueribboncorp.com **Web:** www.blueribboncorp.com