



PROCESS PRESSURE GAUGE

MODEL BR811D



Model BR811D

FEATURES:

The Model BR811D/811L Series from Blue Ribbon Corporation are a family of highly rugged process pressure gauges. They are designed to provide reliable process pressure measurements within safety critical environments such as oil and gas, chemical processing, power stations, environmental engineering and plant construction environments.

SPECIFICATIONS

- Dial Size: 4½"
- Accuracy: 0.5%
- Phenolic-Solid Front/Blow-Out Back Case
- Lens: Shatterproof Safety Glass
- Movement: 304 Stainless Steel with Over/Under Stops
- Knife Edge Micro-Adjustable Pointer
- Brass Bourdon Tube
- Brass Socket
- Accuracy: 0.5% FS (ANSI Grade 2A)
- Knife Blade Pointer for Precision Reading
- IP65 Enclosure
- Hermetically Sealed/Weather Proof
- Liquid Fillable/No Kit Required (811L) or Dry (811D)
- Working Pressure: 75% FSO
- Connection Sizes
¼" or ½" NPT Male
- Over Pressure: 20% Up to 10K PSI;
10% over 10K PSI
- Ambient/Process Temperature
Filled: -40 °F to +160 °F
Dry: -40 °F to +180 °F

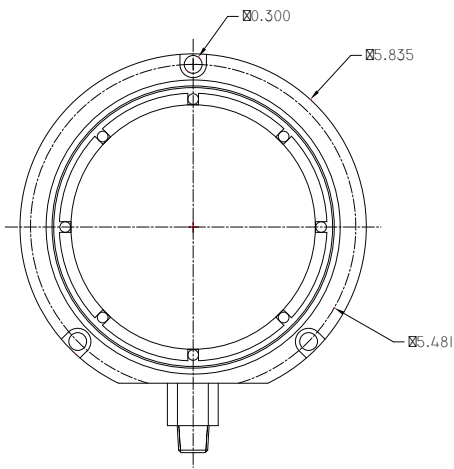
RANGE	RANGE CODES	FIGURES	MINOR, INC.
30/0 Hg Vac	A	5"	0.2"
30/0/15	CB	10" & 5 PSI	1" & 0.5 PSI
30/0/30	CC	10" & 5 PSI	1" & 0.5 PSI
30/0/60	CD	10" & 10 PSI	2" & 1 PSI
30/0/100	CE	10" & 20 PSI	2" & 1 PSI
30/0/150	CF	10" & 30 PSI	5" & 2 PSI
30/0/200	CG	10" & 50 PSI	5" & 2 PSI
30/0/300	CH	10" & 50 PSI	10" & 5 PSI
0/15 PSI	B	3 PSI	0.2 PSI
0/30 PSI	B2	5 PSI	0.2 PSI
0/60 PSI	C	5 PSI	0.5 PSI
0/100 PSI	D	10 PSI	1 PSI
0/160 PSI	E	20 PSI	1 PSI
0/200 PSI	F	20 PSI	2 PSI
0/300 PSI	G	50 PSI	2 PSI
0/400 PSI	H	50 PSI	2 PSI
0/600 PSI	I	50 PSI	5 PSI
0/800 PSI	J	100 PSI	5 PSI
0/1000 PSI	K	100 PSI	10 PSI
0/1500 PSI	L	250 PSI	10 PSI
0/2000 PSI	M	200 PSI	20 PSI
0/3000 PSI	N	500 PSI	20 PSI
0/5,000 PSI	O	1,000 PSI	50 PSI
0/10,000 PSI	P	1,000 PSI	100 PSI
0/15,000 PSI	Q	2,500 PSI	100 PSI
0/20,000 PSI	R	2,000 PSI	200 PSI

BR5SL-G-031
REV-A

PROCESS PRESSURE GAUGE

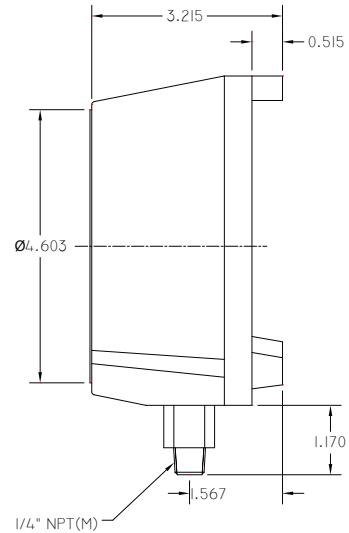
DIMENSIONAL DRAWING

All dimensions are in inches (mm)



FRONT

BR411D-454M
PROCESS GAUGE, 4.5" 1/4" NPT LM
0-1000 PSI



SIDE

ORDERING GUIDE

Example: BR811D454M

BR811	D	45	4	M
Model Number		Dial Size	Connector Size	Pressure Range
Fill Type		4.5"	2 - 1/2" NPT 4 - 1/4" NPT	See chart on page 1
D - dry, non-filled				
L - Glycerin filled				

All specifications are for reference purposes only. In the interests of continuous product improvement, all specifications are subject to change without notice. Please contact Blue Ribbon Corporation for assistance with your application.

