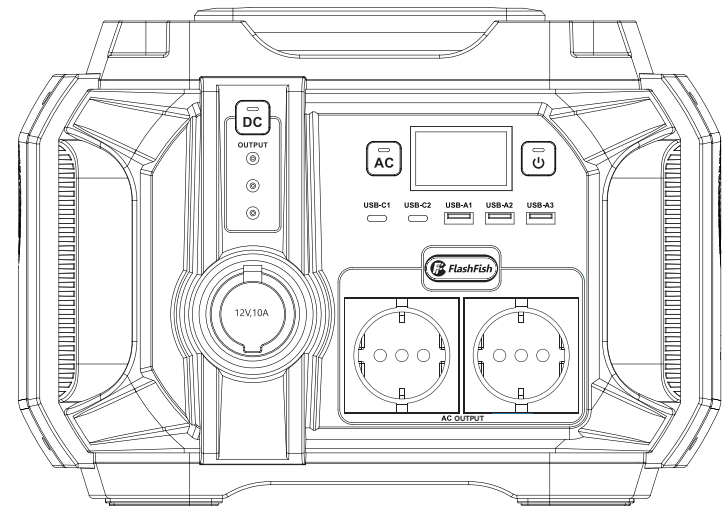




Portable Power Station



User Manual

LED Display

The display shows the product's battery power percentage and charging and discharging status etc.

- 1.The information on the left side of the display indicates the battery power percentage of the product. (%)
- 2.The information on the right side of the display indicates input/output of the product.
3. Related status display on the screen, you can refer to more information about the product's functions.

BUTTON DESCRIPTION

Power ON/OFF Button:

1. Short press to turn screen on
2. Short press again to turn screen off

DC Power Button:

- 1.To turn on the battery first by pressing the Power ON/OFF Button
- 2.Short press to turn DC on; Short press again to turn it off.

AC Power Button:

- 1.To turn on the battery first by pressing the Power ON/OFF Button
- 2.Short press to turn AC on; Short press again to turn it off.

LED Light ON/OFF Button:

1. Read Light Mode:
 - (1) Short press the button the 1st time - LED read light low mode
 - (2) Short press the LED Button the 2rd time - LED read light high mode (long-press 3S can turn off the light on any mode)
2. SOS Mode:
 - (1)Short press the LED Button the 3th time - SOS Mode
 - (2)Short press the LED Button the 4th time - Turn the light off (long-press 3S can turn off the light on any mode)

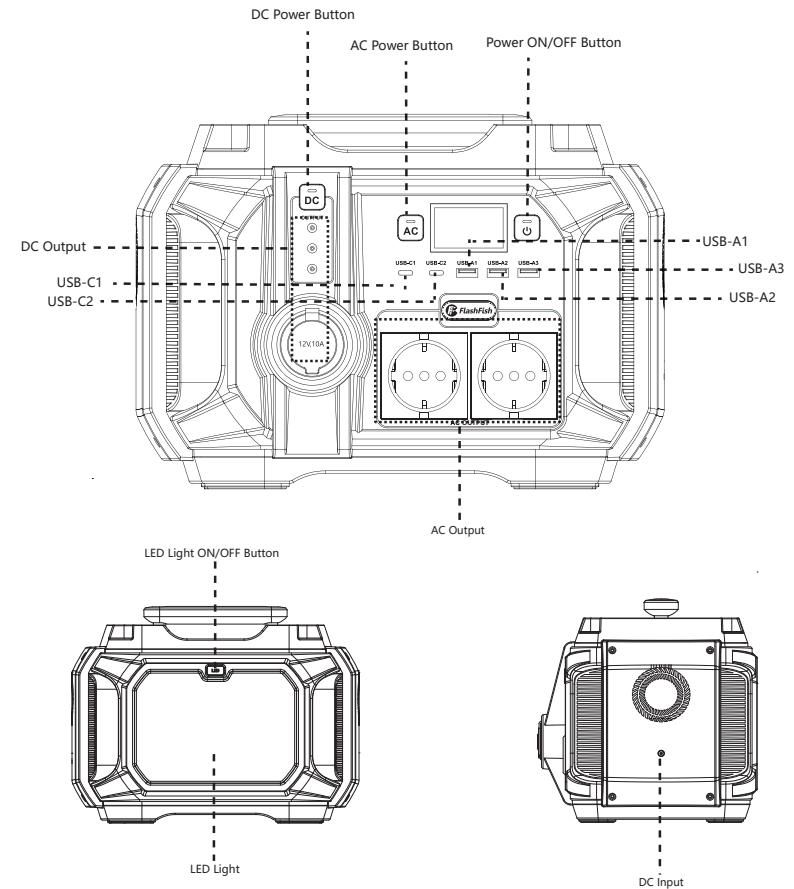
Important Information

! Caution:

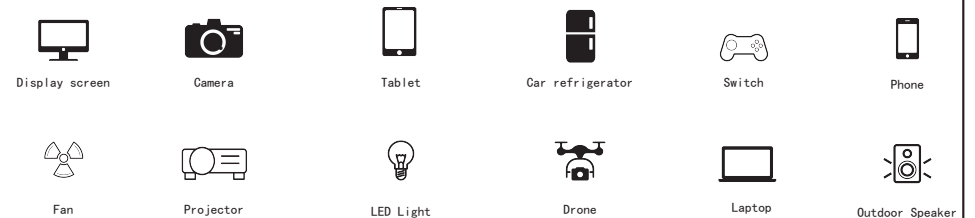
When using this product, you should always follow the basic precautions as follows:

1. Please read all instructions carefully before using this product;
2. In order to reduce the risk, if using this product when children are nearby, close supervision is required;
3. Using the accessories recommended or sold by non-professional product manufacturers may cause the risk of electric shock.
4. Please pull the power plug out of the product socket when the product is not using.
5. Please do not disassemble the product, it may cause fire, electric shock or injury risk and unpredictable risk.
6. Do not use damaged wires or plugs, or damage output cables to use the product, as there is a risk of electric shock.
7. Please charge the product in a well-ventilated place, do not restrict the ventilation of the product in anyway.
8. It's not waterproof. Please place the product in a ventilated and dry place to avoid rain and water, and there is a risk of electric shock when the product enters the water.
9. Do not expose the product to fire or high temperature.

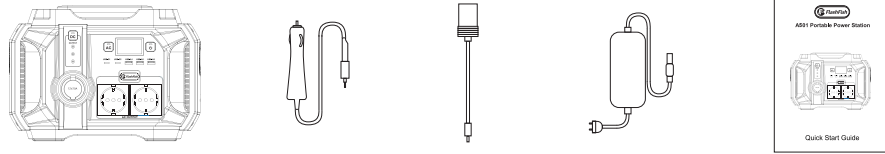
Schematic Diagram



Support charging devices



Packing List



Portable Power Station, Car Charging, Car Charging Socket, Power Adapter, Instruction Manual

Troubleshooting

If your device is not successfully charged with this product, please follow the steps below:

1. Make sure that the output is turned on, the LED display is on, and the product is in standby state.
2. Check the battery power percentage, if it is 20% or less, please charge the product.
3. The power of the device you are using exceeds the maximum power supply for the port of the product.
4. The device cable you are using is not plugged in well or has poor contact.

Solar Panel Charging:

Choose the 18-30V solar panel, just insert the DC charging port, you can easily charge the product with solar energy. Although the intensity of natural light is different from theoretical calculations, and the power of solar panels will decrease under cloudy or windy conditions, solar panels can still collect effective electricity from sunlight.

How to use the product:

1. USB-C1 is plug and play, it can automatically recognize and charge the corresponding device without a button to start, and it can sleep autonomously to save power;
As for USB-C2, USB-A1, USB-A2 and USB-A3 output, you need to short press the power on/off button. Short press again to turn them off to save power.
2. For DC output, you need to short press DC button, and short press again to turn it off.
3. For AC output, you need to short press AC button, and short press again to turn it off.
This product will automatically shut down if it exceeds the maximum power (230v, rate power 500w, peak 1000w)
Note:
The AC power won't turn off automatically even it's not in used, please press the AC power button to turn it off to save power.
4. Please check whether outputs are closed or dormant before storing;
It should be recharged every 10-12 months. Or keeping the battery percentage for about 90%, which is convenient for the next use.
5. Store the product in a cool and dry place. Exposure to the sun is prohibited.

Note: Please turn the power off when not using to save power.

Operating temperature range:
Low temperature will affect the battery capacity of the product.
The product can be charged in the temperature range of 0-40°C. If it is required to charge below 0°C, it is recommended to place the product in other warm conditions and connect the charger for charging.
The product can charge device in the temperature range of -20-40°C
The battery would shut off when it reaches a certain high/low temperature.

Technical Parameters

Battery Capacity 540Wh 150000 mAh	Weight 6.4kg	Size L30. 89*W21.75*H23.29cm	DC Input 5V-30V = 6A 120W MAX	Ac Output Continuous 500W, peak 1000W
USB-C1 Output 5V = 2.4A 9V = 3.0A 12V = 3.0A 15V = 3.0A 20V = 3.0A	USB-C2 Output 5V = 2.4A 9V = 3.0A 12V = 2.25A PPS 3.3V-5.9V = 3.0A 3.3V-11V = 3.0A	DC*4 Output 12V = 10A	USB-A1 Output 5V = 2.4A 9V = 2.0A 12V = 1.5A	USB-A2 USB-A3 Output 5V = 2.4A

Cycles ≥800	Storing Temperature -20-40°C	Operating temperature -20-40°C	Charging temperature 0-40°C	Product protection Over temperature protection, Over discharge protection, Overcharge protection, Over-current protection, Short circuit protection, Over-voltage protection.	Warranty 12 months from the date of purchase	Certificate ROHS UN38.3
-----------------------	--	--	---------------------------------------	--	--	-----------------------------------

Common Problem

1. How to judge the storage power of the product?
Please refer to the instructions on the display to check the battery level of the product:
The battery status is indicated by the percentage of the battery level on the display.
The product can be used without being fully charged.
2. Can the product be taken on the plane?
No. According to airline transportation standards, the capacity of lithium battery products carried cannot exceed 100Wh, and the capacity of this product has reached 540Wh.
3. How to judge whether the product is running?
This product will show output/input through the display screen, please refer to the display screen description.

Charging Method

Please charge the product fully before the first time to use and storage. Normally when the battery power is less than 10%, please charge it in time. When the screen shows the current battery level is 100%, it means charging is complete.



Support power adapter charging



Support car charging



Support solar charging (Recommend DC 18-30V)

Warranty Card

Warranty Period	12 months from the date of purchase
Purchase Date	Year Month Day
Product Name	A501
Brand	Flashfish

Thank you for buying from Flashfish

If you have any questions or need technical support, please contact us directly via the follow contact details.
When you apply for a return or replacement, please remember to provide us some pictures or a video regarding the exact issue of the product. So that we can handle the after-sales service for you in the first time.

Email: info@flashfishtech.com

Website: flashfish.eu



Flashfish warrants our products to the original purchaser that the solar generator is free from defects in materials and workmanship.

If goods are faulty or doesn't do what is is supposed to do for 12 months from the date of purchase. You can choose between a refund or replacement.

Damages from normal wear and tear, man-made reasons, unauthorized disassembly, alteration, misuse, neglect, accident, and damage caused by irresistible reasons are not cover by the Warranty.



Made In China