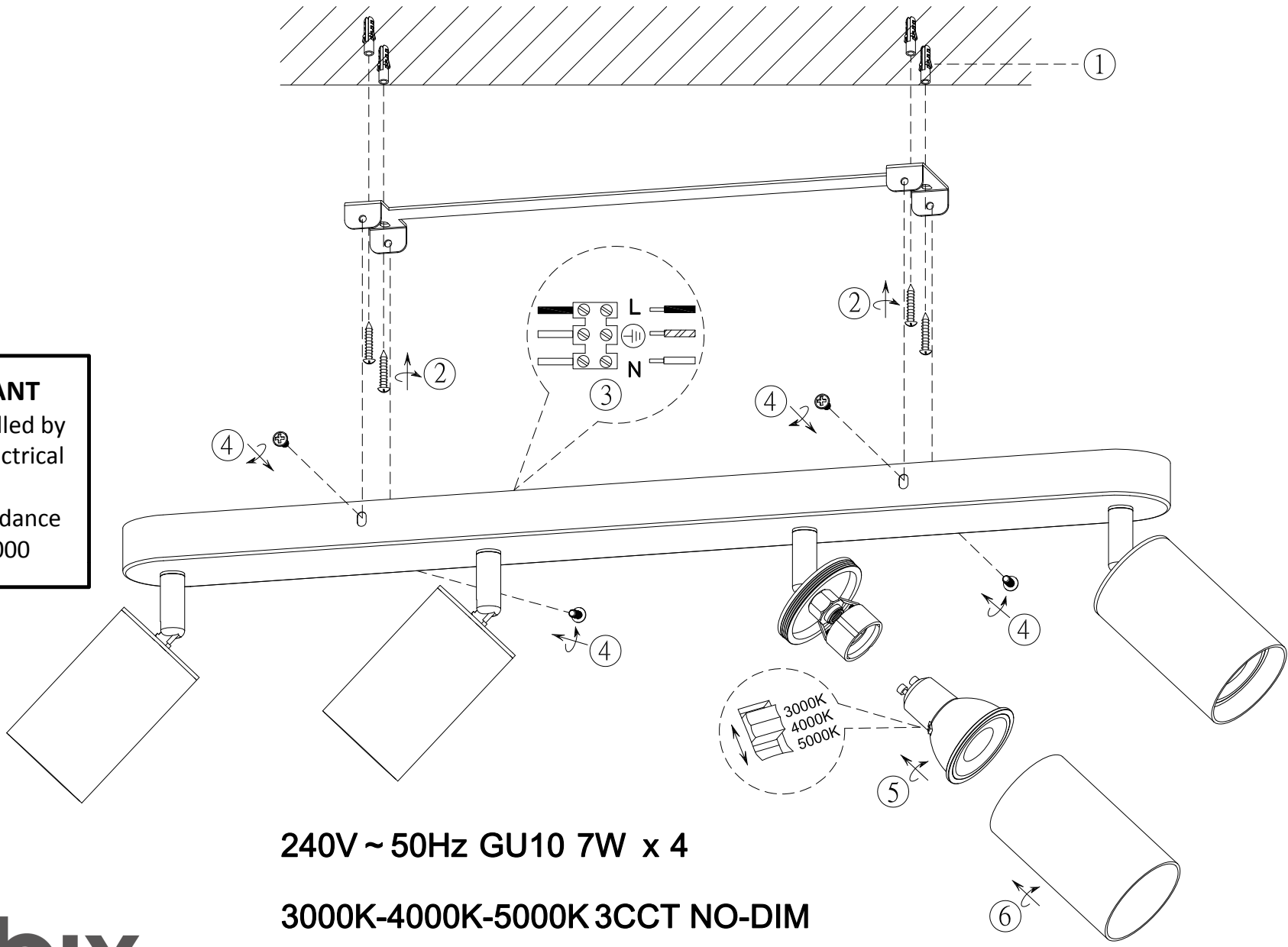


ITEM NO.: PICARD SP4

**IMPORTANT**  
Must be installed by  
a qualified electrical  
contractor.  
Install in accordance  
with AS/NZS3000



240V ~ 50Hz GU10 7W x 4

3000K-4000K-5000K 3CCT NO-DIM

NOTE: GLOBE INCLUDED

**telbix.**

