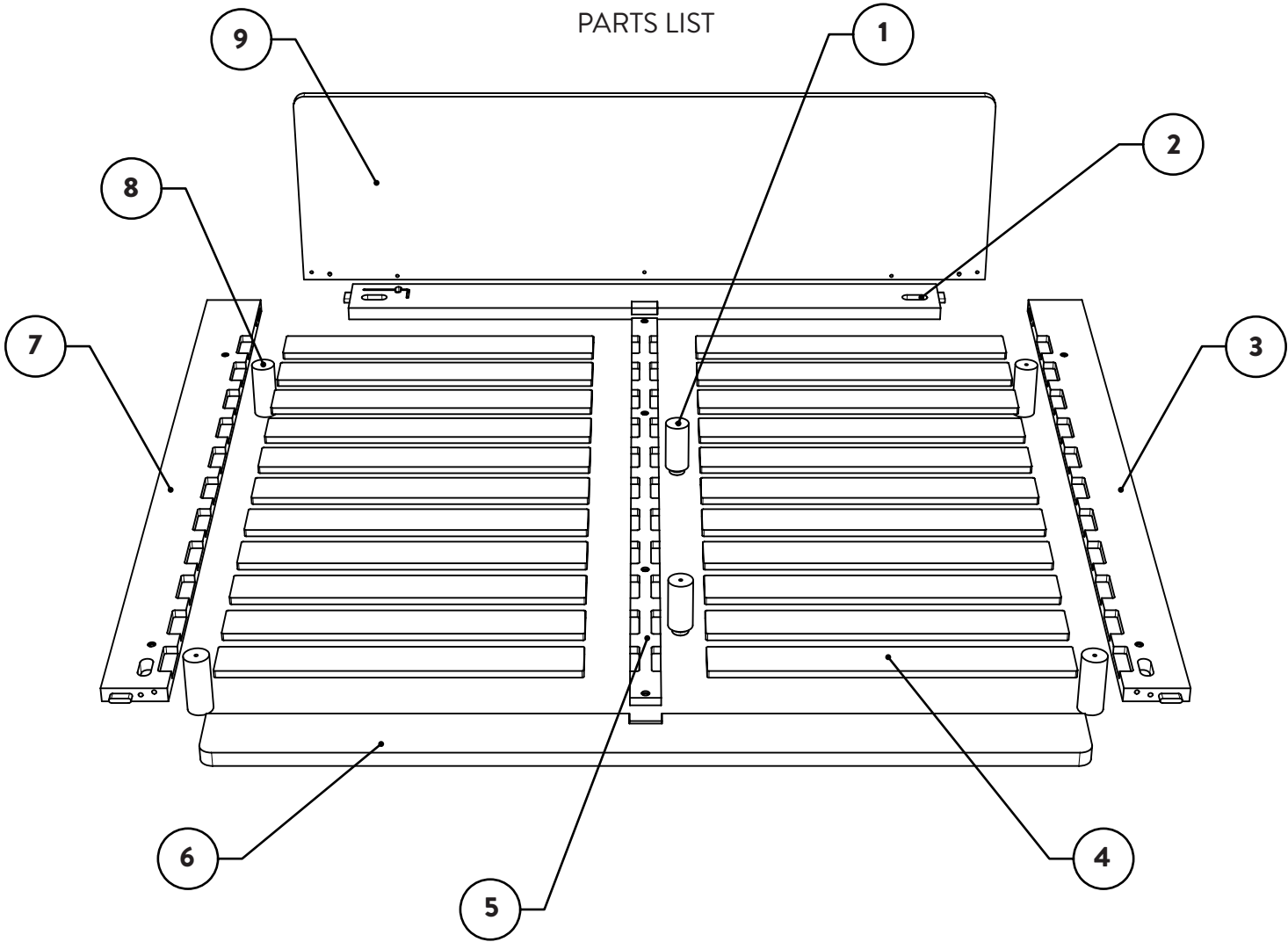


TOTEM ROAD

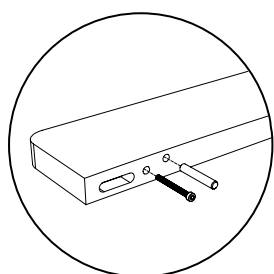
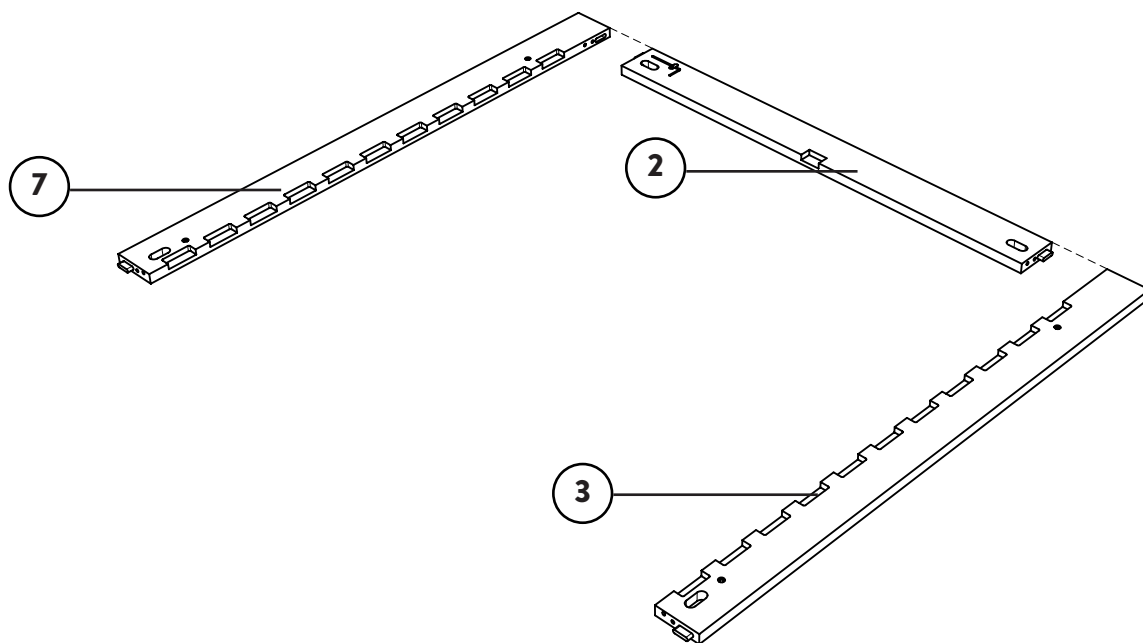
LAGOS BED QUEEN / KING ASSEMBLY INSTRUCTIONS



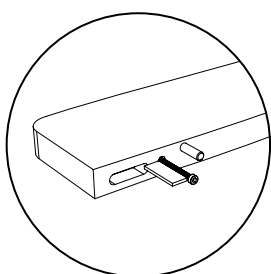
- ① — Centre legs QTY 2
- ② — Head rail QTY 1
- ③ — RHS rail QTY 1
- ④ — Slats QTY 22
- ⑤ — Centre rail QTY 1
- ⑥ — Foot rail QTY 1
- ⑦ — LHS rail QTY 1
- ⑧ — Legs QTY 4
- ⑨ — Headboard QTY 1

HARDWARE LIST			QTY
A		white bolt M5x60mm	4
B		timber gauge 43x20x5	1
C		bolt M5x50mm	6
D		bolt M5x40mm	5
E		bolt M5x30mm	2
F		U washer	4
G		washer Ø15	13
H		dowel Ø10x40	6
I		felt pad Ø38	8
J		Allen key	1

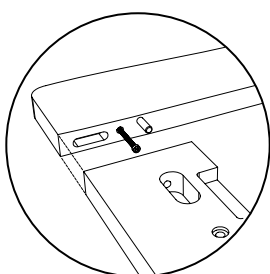
STEP 1: BEGIN ASSEMBLING THE BED FRAME.



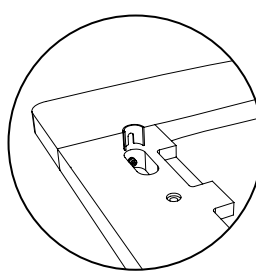
Screw bolts (A) and install dowels (H) onto parts 3 and 7.



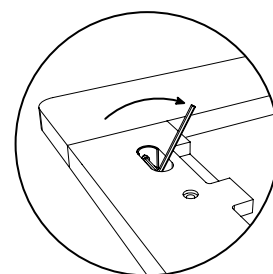
Use timber gauge (B) to set the bolt at the correct length.



Connect part 7 to part 2, then repeat for part 3.

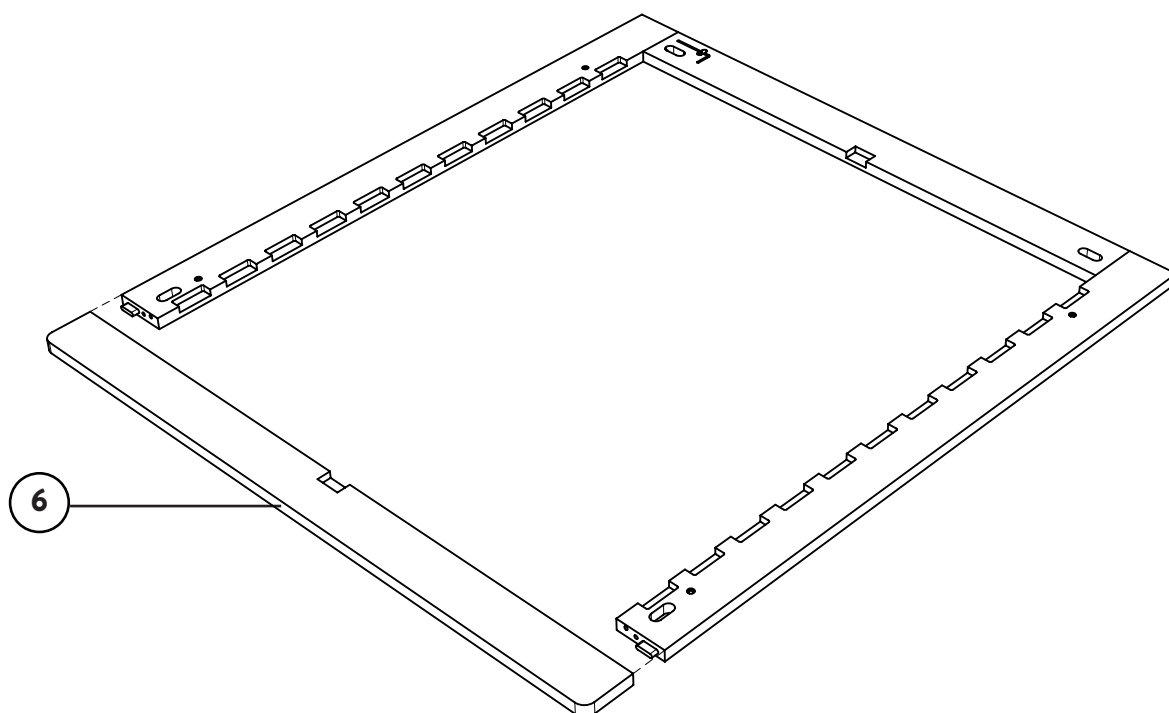


Install U washers (F) over the bolts (A).

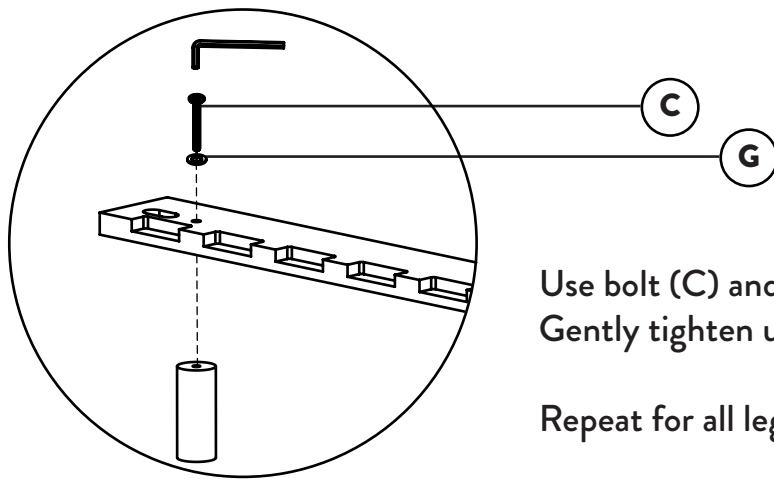
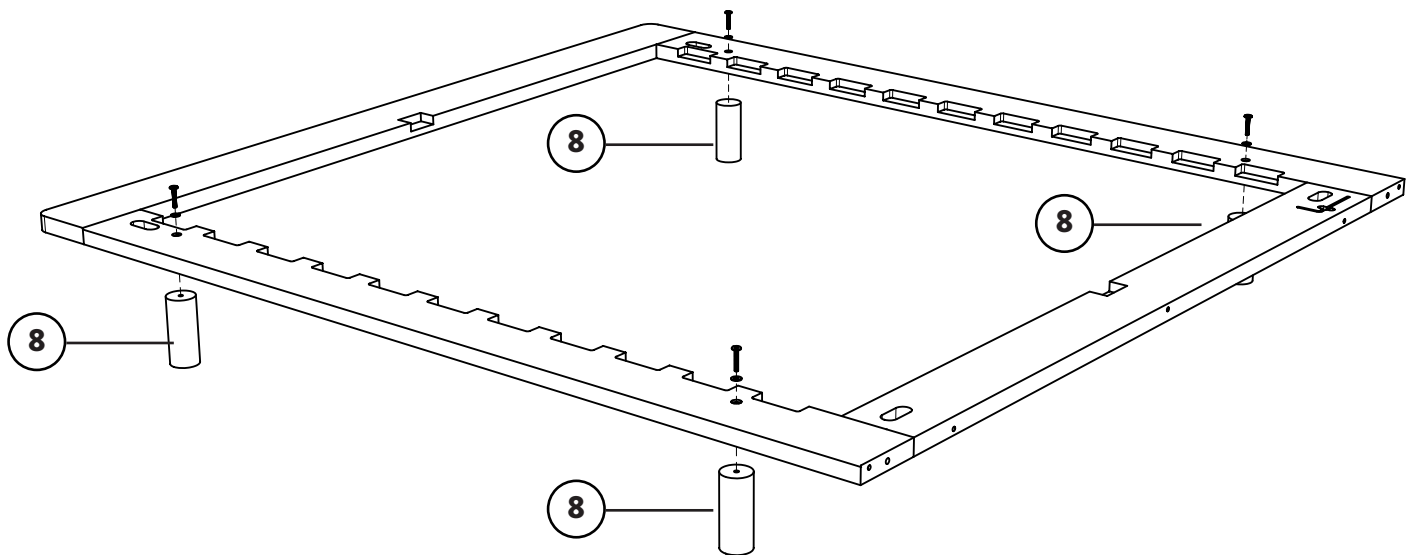


Gently tighten with the Allen key provided (J).

STEP 2: REPEAT FOR PART 6.



STEP 3: INSTALL LEGS.

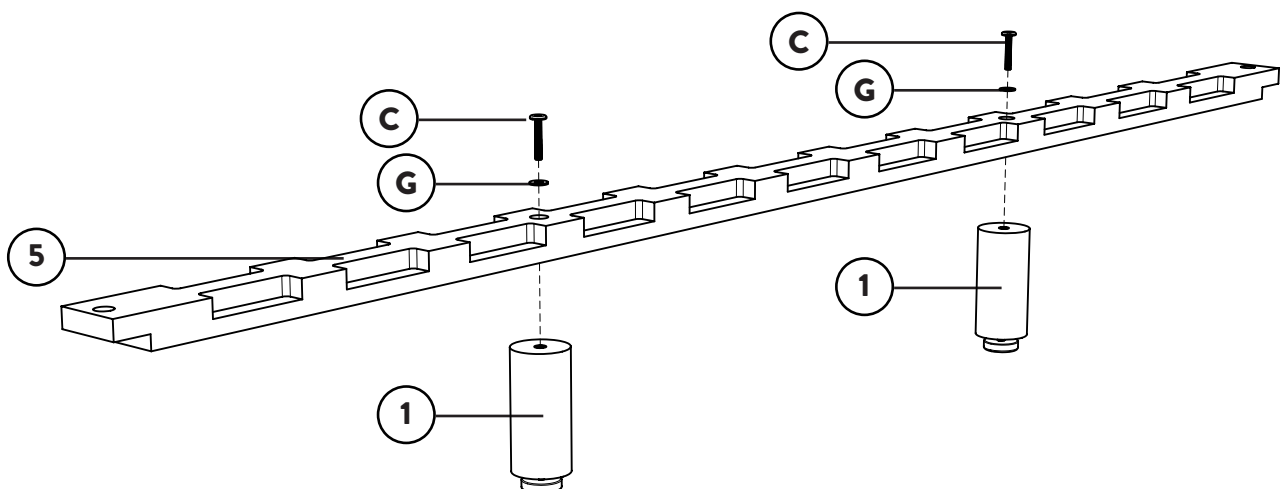


Use bolt (C) and washer (G) to fit legs to frame.
Gently tighten using Allen key provided (J).

Repeat for all legs.

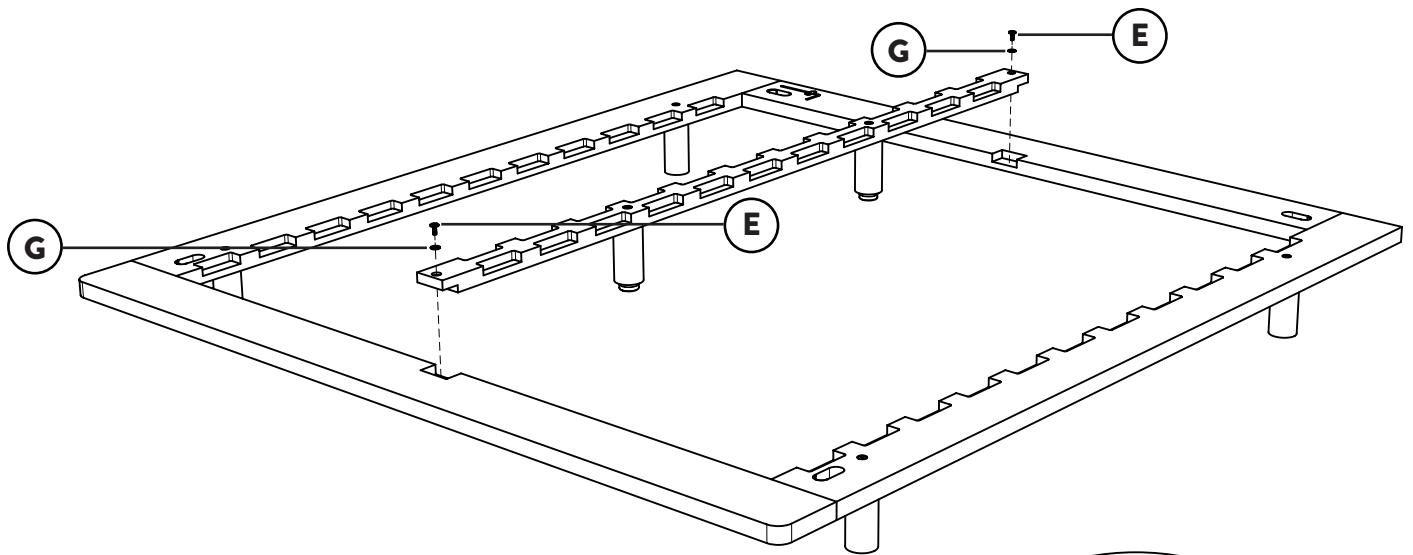
For use on timber or hard floors, we recommend applying felt pads (I) at the bottom of the legs.

STEP 4: INSTALL CENTRE LEGS.



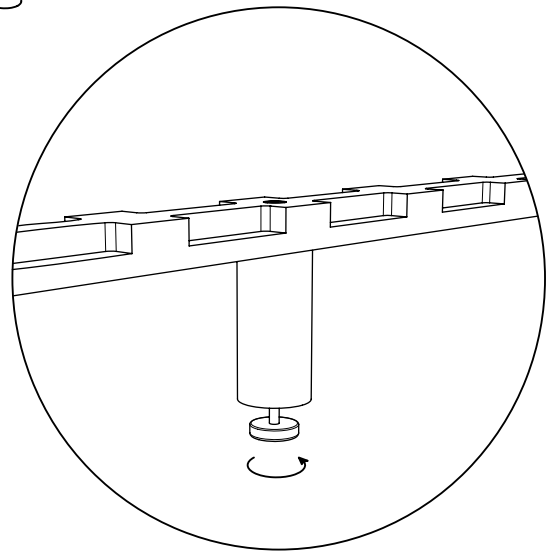
As per Step 3.

STEP 5: FIT CENTRE RAIL TO FRAME.

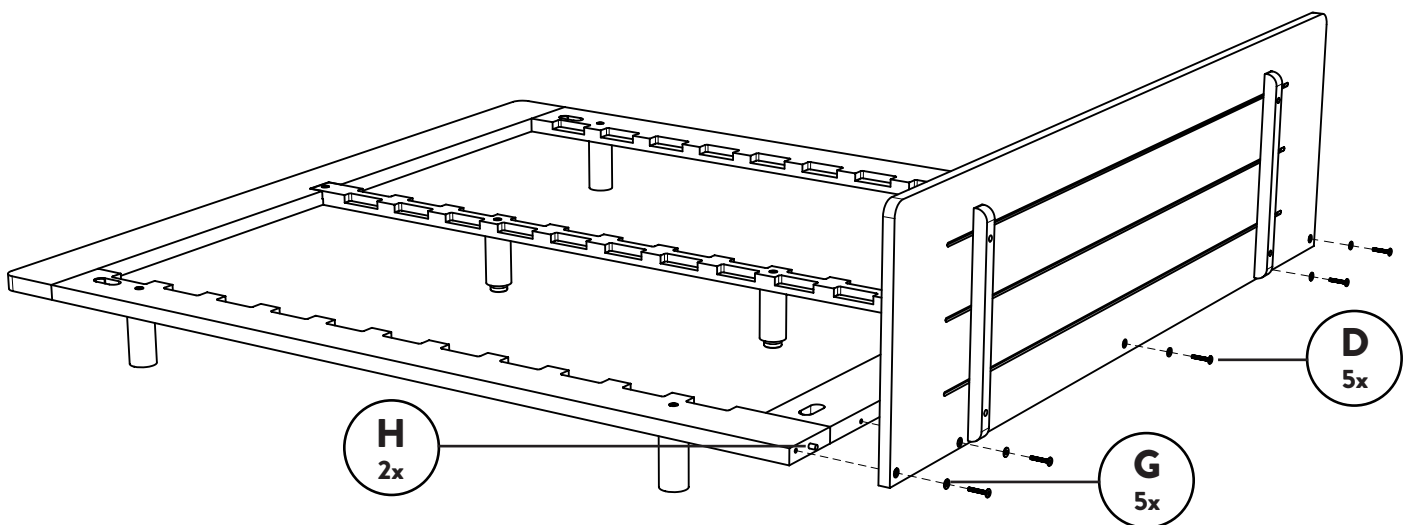


Use bolt (E) and washer (G) to fit centre rail to frame.
Gently tighten using Allen key provided (J).

Adjust the centre legs feet to the correct height.



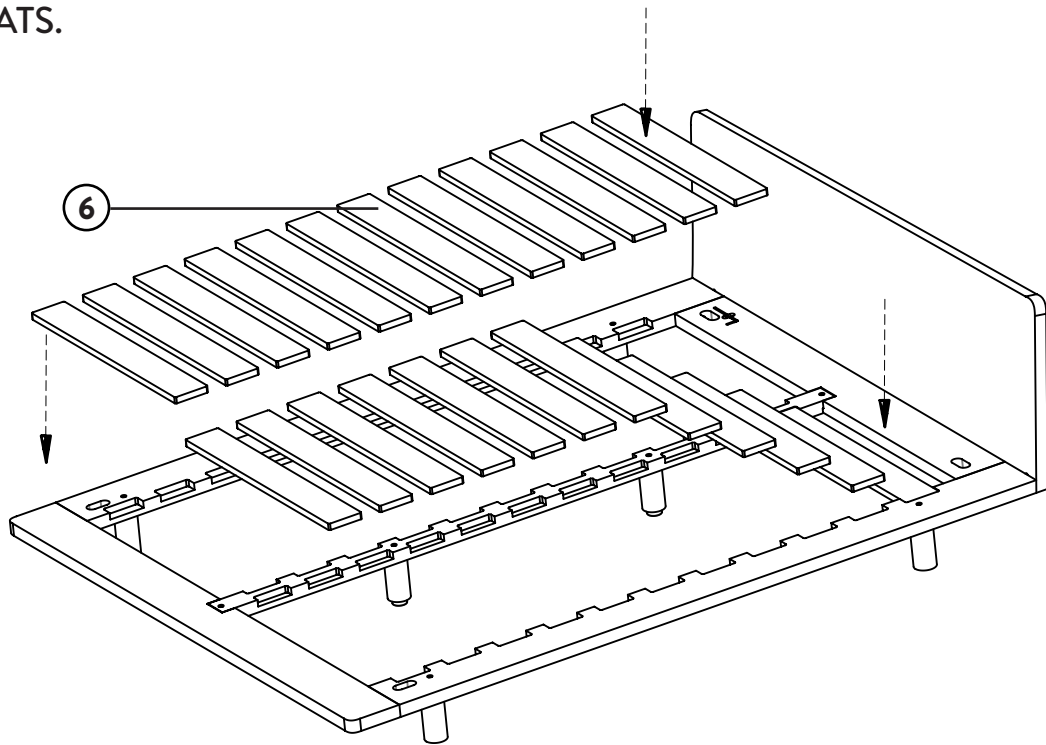
STEP 6: FIT HEADBOARD.



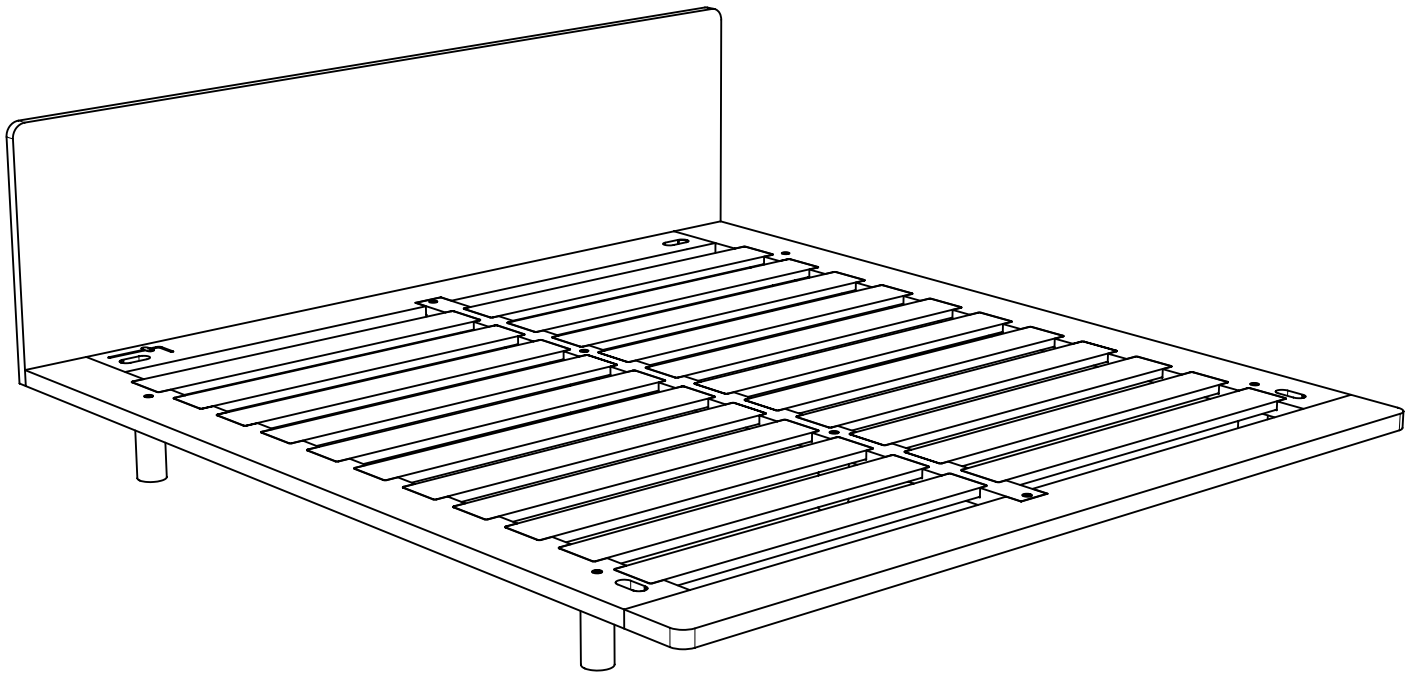
Install 2x dowels (H) to the bed frame, then install the headboard (9) using 5x bolts (D) and 5x washers (G).

Gently tighten using Allen key provided (J).

STEP 7: FIT SLATS.



Fit the slats (6) by simply placing them onto the slots on the bed frame.



Congratulations! Your Lagos bed is now assembled and ready for a good night's sleep.

TOTEM ROAD

Paddington Gallery
Shop 3 / 188 Oxford Street, Paddington, 2021, NSW, Australia
On-site parking available please enquire.
Contact telephone no: 1300 430 818
Email: info@totemroad.com