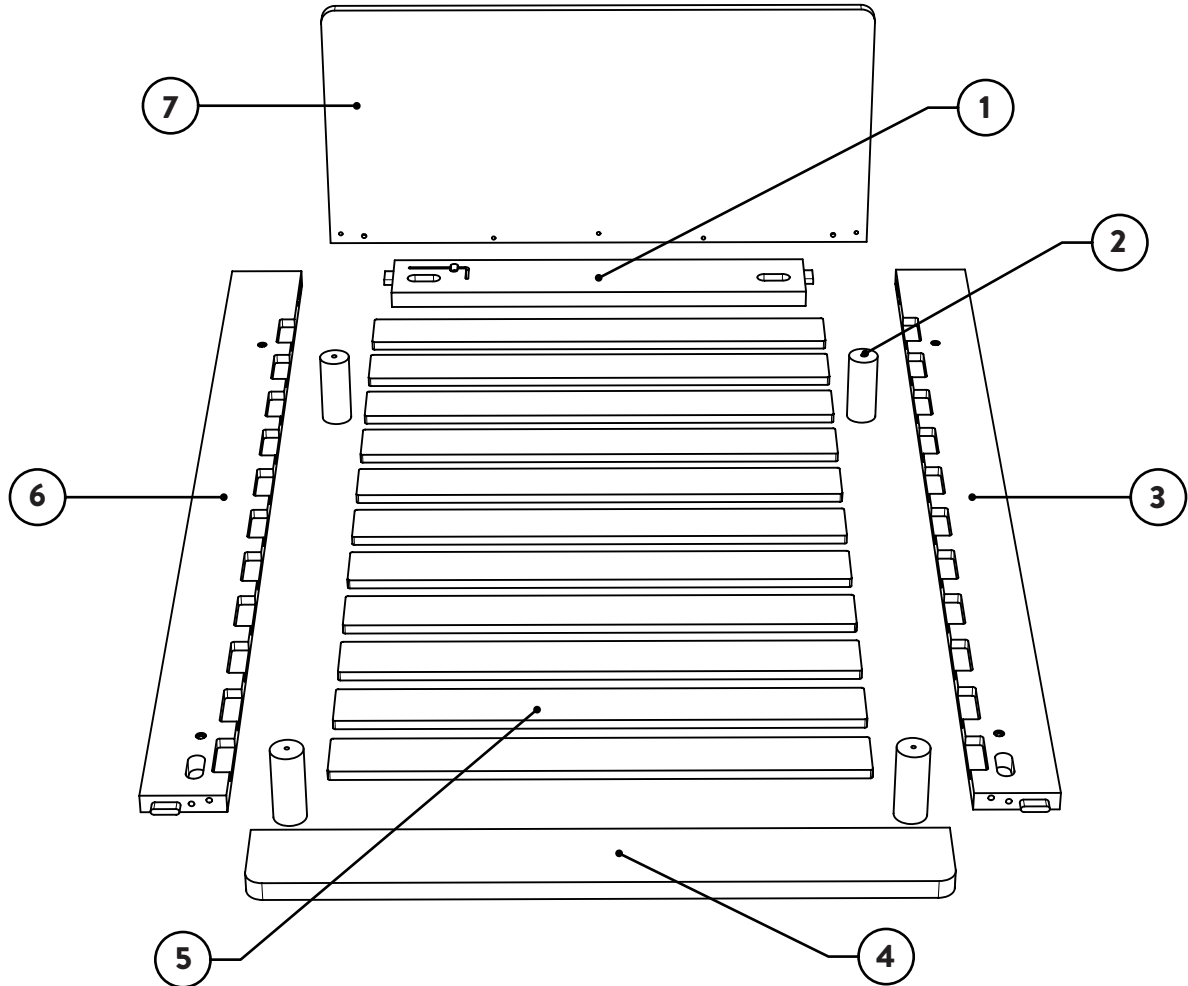


TOTEM ROAD

LAGOS BED KING SINGLE ASSEMBLY INSTRUCTIONS

PARTS LIST



1 — Head rail QTY 1

6 — LHS rail QTY 1

2 — Legs QTY 4

7 — Headboard QTY 1










3 — RHS rail QTY 1

4 — Foot rail QTY 1

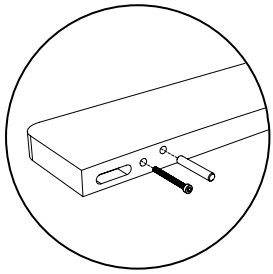
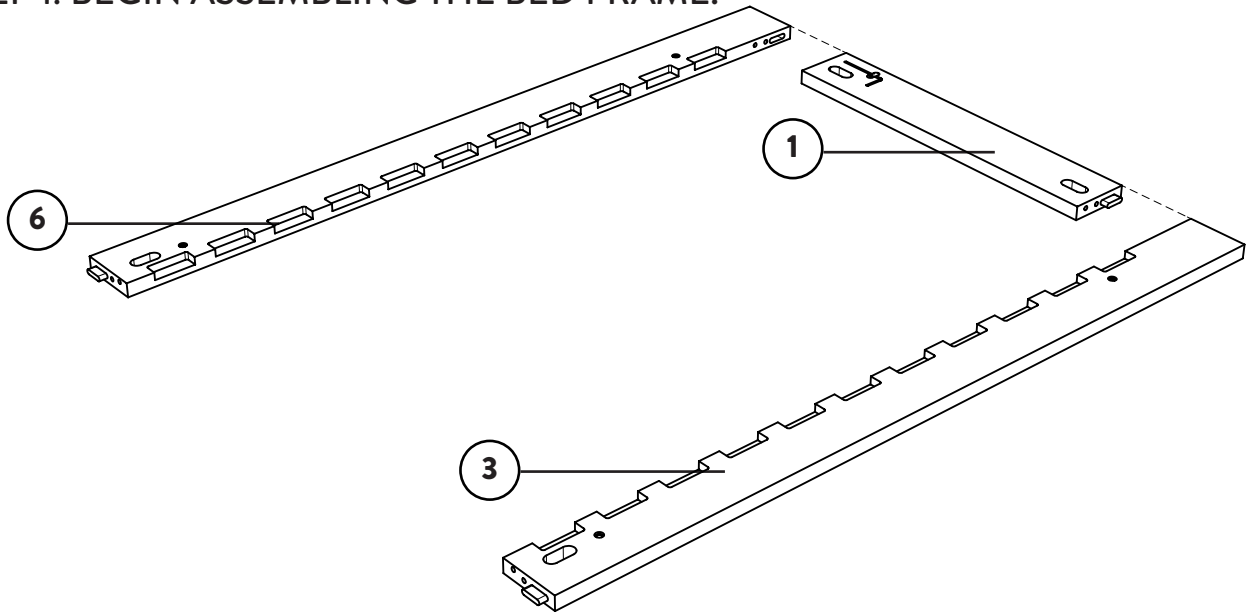
5 — Slats QTY 11

HARDWARE LIST

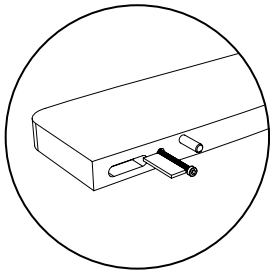
QTY

			QTY
A		white bolt M5x60mm	4
B		timber gauge 43x20x5	1
C		bolt M5x50mm	4
D		bolt M5x30mm	5
E		U washer	4
F		washer Ø15	9
G		dowel Ø10x40	6
H		felt pad Ø38	8
I		Allen key	1

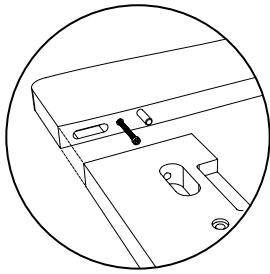
STEP 1: BEGIN ASSEMBLING THE BED FRAME.



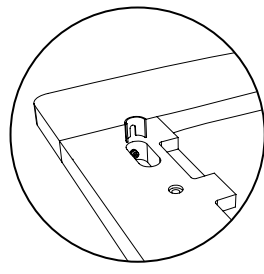
Screw bolts (A) and install dowels (G) onto parts 3 and 6.



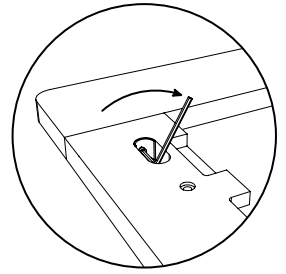
Use timber gauge (B) to set the bolt at the correct length.



Connect part 6 to part 2, then repeat for part 3.

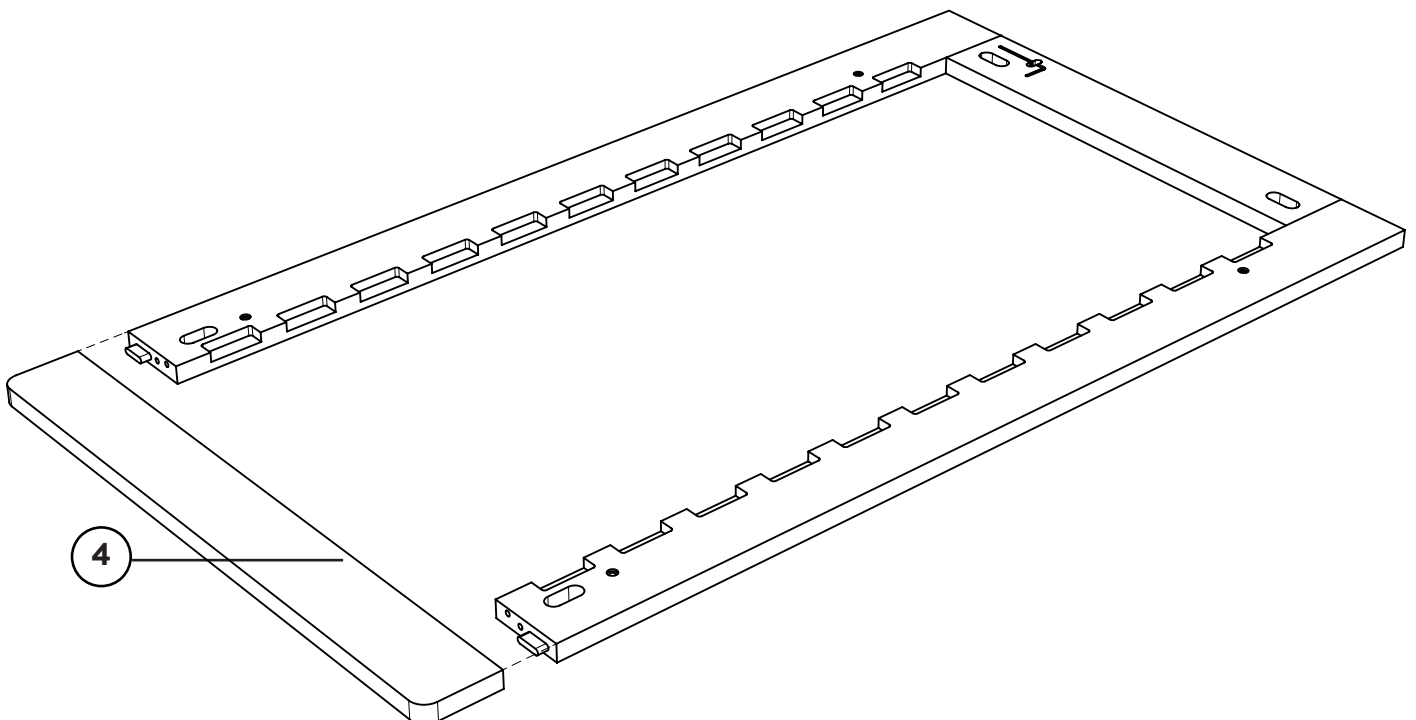


Install U washers (F) over the bolts (A).

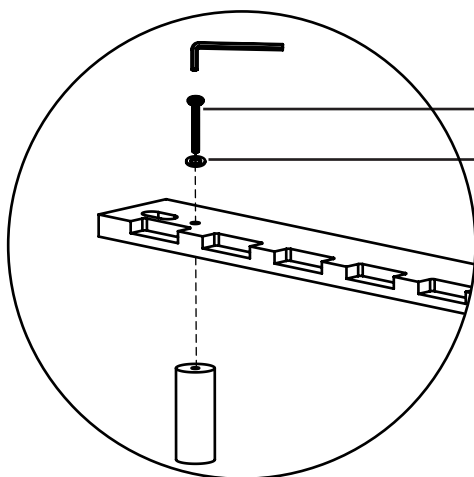
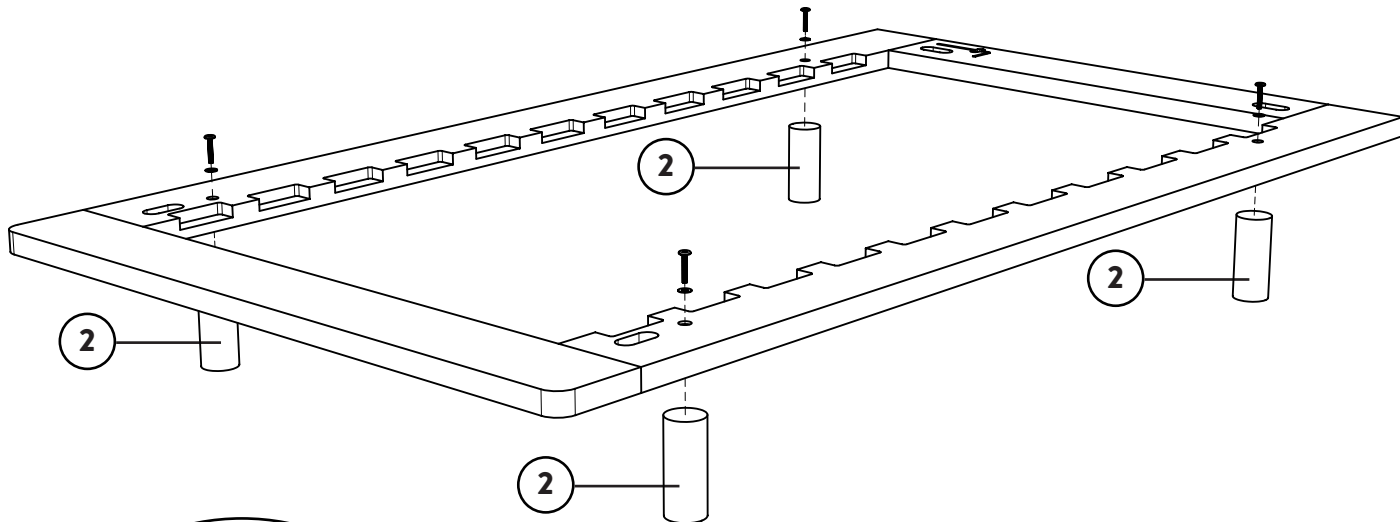


Gently tighten with the Allen key provided (J).

STEP 2: REPEAT FOR PART 4.



STEP 3: INSTALL LEGS.

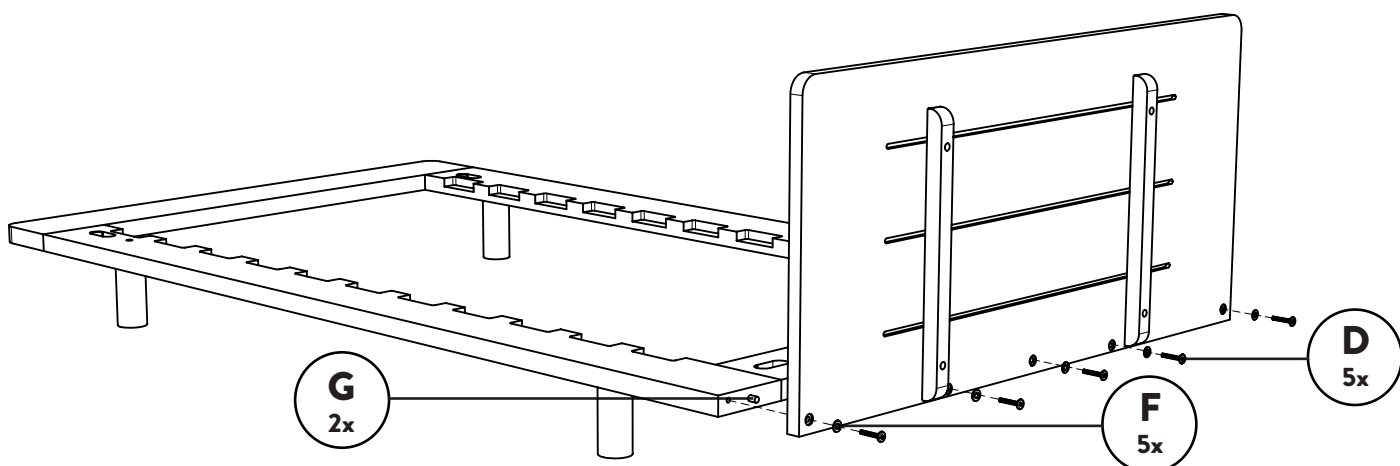


Use bolt (C) and washer (F) to fit legs to frame.
Gently tighten using Allen key provided (J).

Repeat for all legs.

For use on timber or hard floors, we recommend applying felt pads (I) at the bottom of the legs.

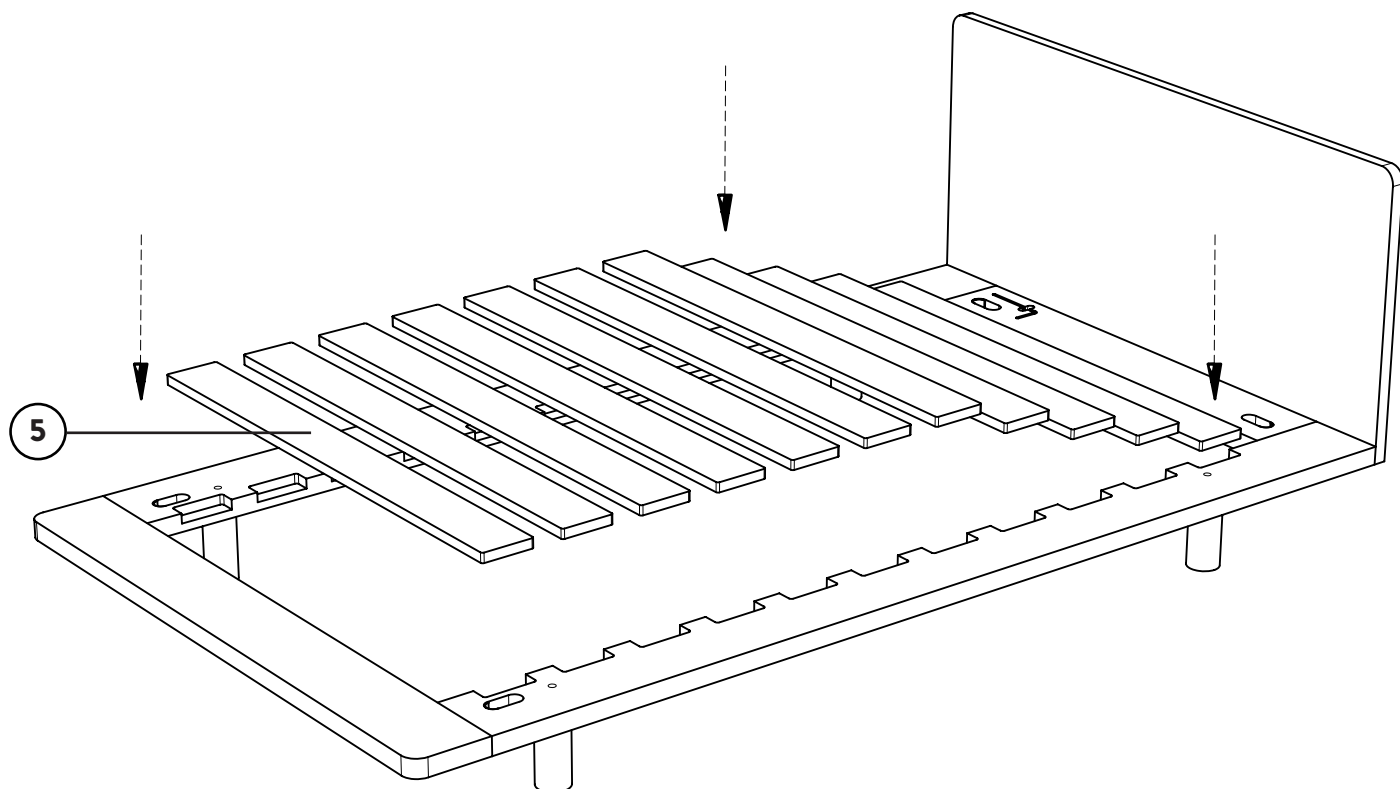
STEP 4: FIT HEADBOARD.



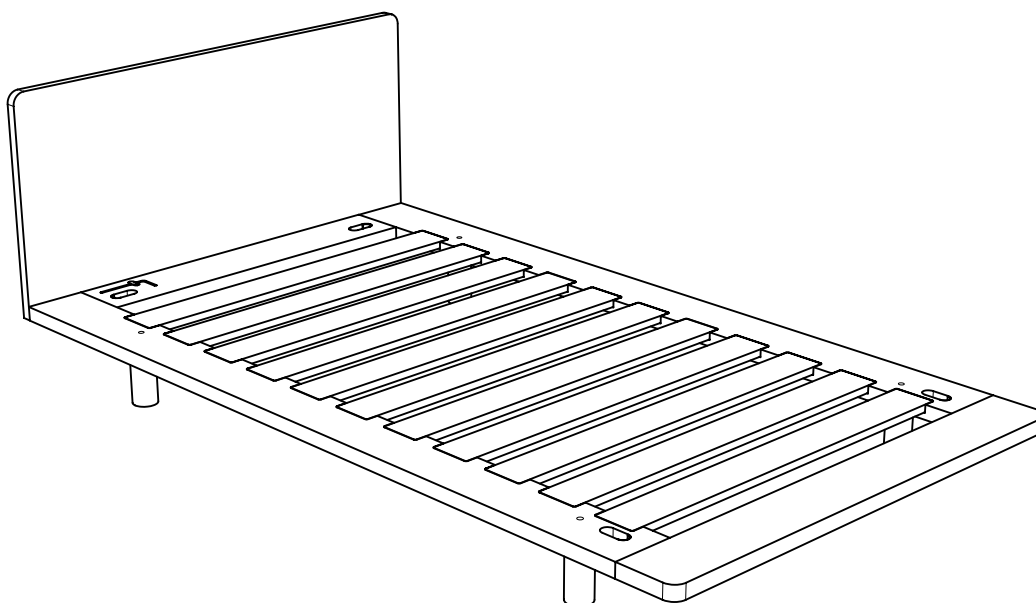
Install 2x dowels (G) to the bed frame, then install the headboard (9) using 5x bolts (D) and 5x washers (F).

Gently tighten using Allen key provided (J).

STEP 5: FIT SLATS.



Fit the slats (5) by simply placing them onto the slots on the bed frame.



Congratulations! Your Lagos bed is now assembled and ready for a good night's sleep.

TOTEM ROAD

Paddington Gallery

Shop 3 / 188 Oxford Street, Paddington, 2021, NSW, Australia

On-site parking available please enquire.

Contact telephone no: 1300 430 818

Email: info@totemroad.com