

NTL-317S



Roma™ European Suspended Design Adjustable

LAMP WATTAGE

(1) 50MR16* 12V GU 5.3 (not included)

* Open fixture - requires use of MR16 with integral protective cover such as Osram Sylvania's Tru-Aim Brilliant MR16 Covered product family.

DESCRIPTION

Low voltage die cast lamp holder attached to vertical swivel with rear finger holder for safe adjustment during fixture operation. Decorative metal face ring holds MR16 lamp in place with two coil springs. Horizontal adjustment friction locked, knob provided to lock vertical adjustment. Ideal for high ceilings where extended suspension of lamp for maximum possible angle adjustment is desirable.

FEATURES

- Streamlined die cast design appearance
- Ideal for commercial use
- Safe adjustment during lamp operation
- One or two circuit track capable

HOUSING

Main body .06 die cast aluminum housing connected to U-shaped rod terminating at plastic finger grip. Two ends of U-shape pass through and are connected to horizontal swivel rod inserted into solid aluminum wheel. Vertical stem conceals wiring and connects lamp holder with swivel to transformer. Two stainless steel screws secure a porcelain MR16 GU5.3 base socket.

FACE

.05 Finished steel flat ring secures to lamp face and locks to swivel portion of lamp housing with two .02 high-memory stainless steel coil springs.

YOKE

.08 Rigid steel curved yoke connects fixture housing to integral transformer. Black plastic tightening knob maintains clean, decorative appearance of the fixture and provides secure angle position.

WIRING

Teflon protected low voltage wiring concealed from transformer to MR16 socket.

TRANSFORMER

Solid-state electronic transformer provides noise-free voltage reduction and operation. If dimming, use electronic low voltage rated only dimming controls. *If dimming, lamp manufacturers recommend burning the MR16 at full power for 100 consecutive hours prior to using dimming control. Failure to apply this precaution may reduce lamp life. Integral Unit - 120V/60Hz Input; 12V Output; 50VA Max. Load

SOCKET

Porcelain socket for GU 5.3 12V MR16 lamp.

LAMP SPECIFICATION

To achieve optimal low profile styling, the European Collection uses an open lamp configuration. It is imperative to use only MR-16 lamps made with an integral clear shield cover. Example: Osram Sylvania #58575 - 50MR16/B/NSP/11/C.



NTL-317S

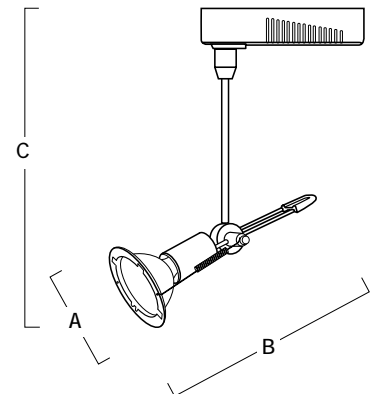
PRODUCT MATRIX

CATALOG NUMBER	FINISH	BASE	WATT	VOLT	INTEGRAL TRANSFORMER	LAMP INCLUDED*
NTL-317S	Silver	GU 5.3	50	12	YES	NO

DIMENSIONS

N T L - 3 1 7 S

A: Diameter	2-3/8"	(60 mm)
B: Length	5-7/8"	(149 mm)
C: Extension	9-1/4"	(235 mm)



CONTACT HEAD ASSEMBLY

Three .030 stainless steel contacts mounted to integral transformer.

ONE/TWO CIRCUIT CONVERSION

Positive contact (opposite neutral and ground contacts) is preset to "down" position at factory, but may be raised to the higher position to install onto the second circuit of Nora Lighting NT-2300 series two-circuit track.

FINISHES

Transformer is black; remainder of fixture is silver powder coat.

COMPATIBILITY

Nora track fixtures are interchangeable with Halo, Catalina, Hampton Bay, Halo-Edison, or any other brands configured to Halo track system design. Note: fixtures may not be compatible with non-Nora transformers or monopoint adapters.

UL LISTED

UL Listed to Standard 1574 as Track Lighting Systems and Fittings