

# NTH-149 / NTH-150

## Line Voltage PAR Shroud

## Line Voltage Track

Lamp: 75W R30/Par30  
250W R40/Par38

**NORALIGHTING®**

Type \_\_\_\_\_  
Project \_\_\_\_\_  
Catalog No. \_\_\_\_\_  
Lamp/Wattage \_\_\_\_\_

### PRODUCT DESCRIPTION

Line voltage R/PAR Shroud fixture. Yoke provides full adjustment of light source for special aiming and dual tightening knobs assure secure lock on angle position.

### Features

- Deep drawn steel housing for high strength and rigidity.
- Heat resistant Teflon coated wire lead.
- Adjustable yoke for custom aiming.
- High-strength stainless steel electrical contacts.
- One or two circuit track capable.

### CONSTRUCTION

#### Yoke

.085 Rigid steel "wishbone" yoke connects fixture housing to electrical contact head. Dual plastic angle tightening knobs maintain clean, decorative appearance of the fixture and provide secure angle position.

#### Housing

0.035 Deep drawn steel construction with simple, cylindrical design. All edges are softened for aesthetic appearance.

#### Socket

Porcelain jacketed aluminum screw thread medium base socket.

#### Wiring

Teflon coated wire lead connects socket and housing to electrical contact head. Teflon coating is durable and resists heat degradation from lamp and housing radiation.

#### One/Two Circuit Conversion

Positive contact (opposite neutral and ground contacts) is preset to "down" position at factory but may be raised to the higher position to install onto the second circuit of Nora Lighting NT-2300 series two-circuit track.

#### Lamp

**NTH-149** - 75W R30/Par30 lamp (not included).

**NTH-150** - 250W R40/Par38 lamp (not included).

#### Finishes

Black, Silver, or White heat rated baked enamel paint. Custom painting or anodizing for special applications are also available. Custom finishes will require lead times that vary depending on vendor schedule. Please consult factory for quotation, and provide either a Dunn Edwards number or color chip for exact matching.

#### Optional Accessories

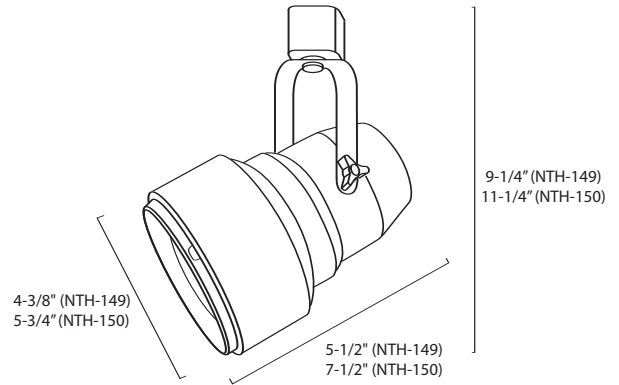
- NT-339 Barn Door for R30/Par30
- NT-340 Barn Door for R40/Par38
- NT-342 Black Louver for R30/Par30 (Must use NT-339 or NT-345)
- NT-343 Black Louver for R40/Par38 (Must use NT-340 or NT-346)
- NT-345 Black Holder for R30/Par30
- NT-346 Black Holder for R40/Par38

#### Labels and Listings

UL Listed as track lighting fitting.



### DIMENSIONS



DIMENSIONS:	NTH-149	NTH-150
Diameter:	4-3/8"	5-3/4"
Length:	5-1/2"	7-1/2"
Max. Extension:	9-1/4"	11-1/4"

Create a complete fixture/trim catalog number: Example: NTH-150S / NT-340

Fixture - select one box from each column

Catalog No.	Wattage	Finish
NTH	75	B
	250	S
		W

Finishes: B = Black, S = Silver, W = White

### Optional Accessories

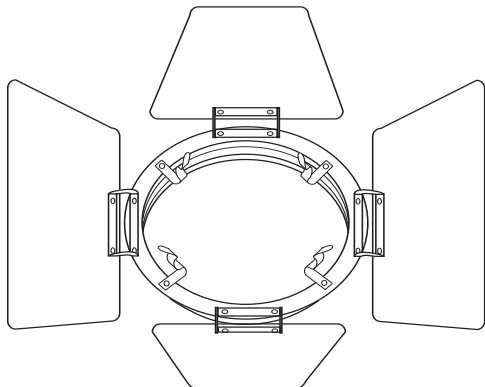
Catalog No.	Description
NT-339	Barn Door for NTH-149
NT-340	Barn Door for NTH-150
NT-342	Black Louver for NTH-149
NT-343	Black Louver for NTH-150
NT-345	Black Holder for NTH-149
NT-346	Black Holder for NTH-150

**NORALIGHTING®**

## NTH-149 & NTH-150 Accessories

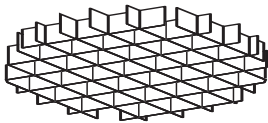
**NT-339** Barn Door for NTH-149

**NT-340** Barn Door for NTH-150



**NT-342** Black Louver for NTH-149  
(Requires NT-339 or NT-345)

**NT-343** Black Louver for NTH-150  
(Requires NT-340 or NT-346)



**NT-345** Black Holder for NTH-149

**NT-346** Black Holder for NTH-150

