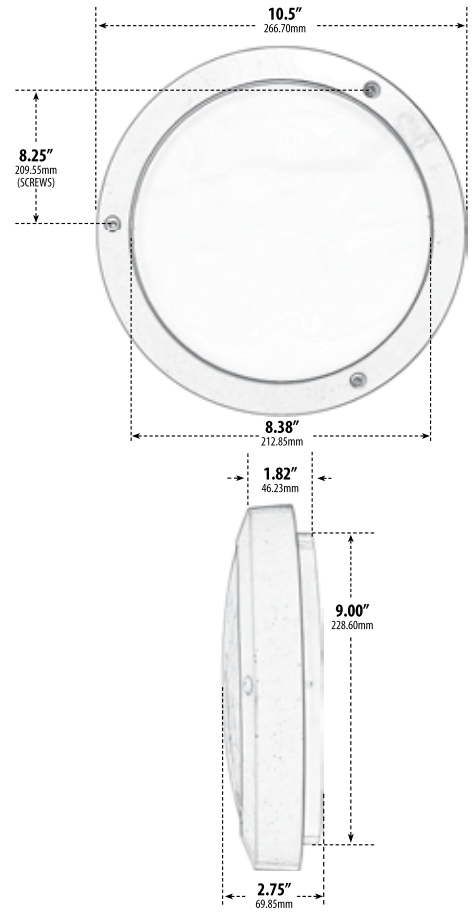


W3900

SURFACE MOUNTED WALL FIXTURE



Overall Dimensions:
10.50"W x 10.50"H x 2.75"D

Maximum Height: 10.50"
Width: 10.50"
Maximum Depth: 2.75"

Weight: 2.4 lbs
Approximate Wire Length: 11.00"
Box Dimensions: 10.75"W x 10.75"H x 3.00"D

- **Material:** Powder Coated Cast Aluminum
- **Lens:** White, Heat Resistant, Acrylic Lens
- **Available Finish:** Black, Gray, White, Verde Green, Electroplated Stainless Steel
- **ETL Approved**

MODEL NUMBER	LAMP TYPE	ILLUMINANT TYPE	WATTS (W)	VOLTS (V)	LAMP(S) INCLUDED?
W3900**	A-Type	Incandescent	60	120	NO
W3985	S13-GU24	Fluorescent	13	120	YES
W3986	S26-GU24	Fluorescent	26	120	YES

Replacement White Lens: P-LENS-3900 (sold separately)

**AVAILABLE IN 11W LED Add -LED11 to Model Number

DABMAR
LIGHTING

DABMAR LIGHTING INCORPORATED

2140 Eastman Ave . Oxnard, CA 93030 . 805.604.9090 . f: 805.604.9050 . www.dabmar.com