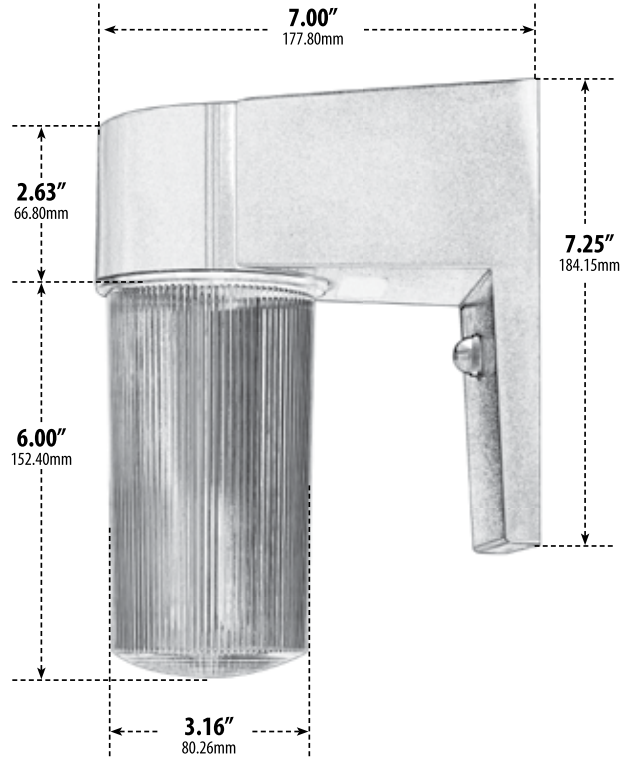


W2800

SURFACE MOUNTED WALL FIXTURE



Overall Dimensions:
3.16"W x 8.63"H x 7.00"D

Maximum Height: 8.63"
Width: 3.16"
Maximum Depth: 7.00"

Weight: 2.2 lbs
Approximate Wire Length: 9.75"
Box Dimensions: 7.75"W x 10.13"H x 5.75"D

- ▶ **Material:** Polycarbonate
- ▶ **Lens:** Clear, Ribbed, Heat Resistant, Polycarbonate Lens
- ▶ **Available Finish:** Bronze, White
- ▶ **ETL Approved**

MODEL NUMBER	LAMP TYPE	ILLUMINANT TYPE	WATTS (W)	VOLTS (V)	LAMP(S) INCLUDED?
W2800**	PL13	Fluorescent	13	120	YES
W2850	2 x PL13	Fluorescent	26	120	YES

Replacement Ribbed Jar: P-GLB-519 (sold separately)

Photo Control Option Available (sold separately)

AVAILABLE IN 11W LED Add **-LED11 to Model Number

DABMAR
LIGHTING

DABMAR LIGHTING INCORPORATED

2140 Eastman Ave . Oxnard, CA 93030 . 805.604.9090 . f: 805.604.9050 . www.dabmar.com